

NINJAGO

Masters of Spinjitzu

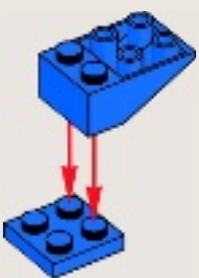


30292

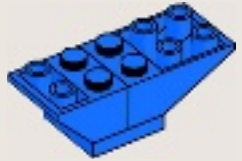
6122930



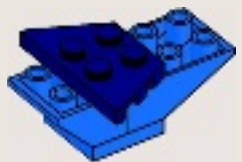
1



2



3



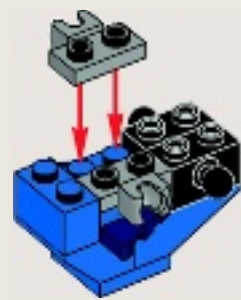
4



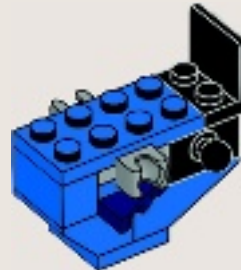
5



6



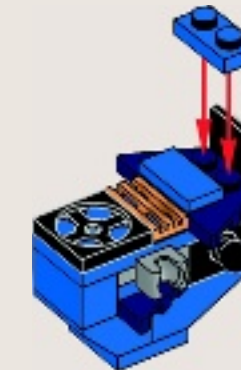
7



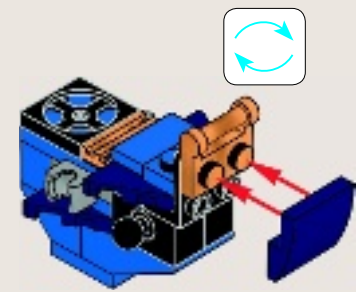
8



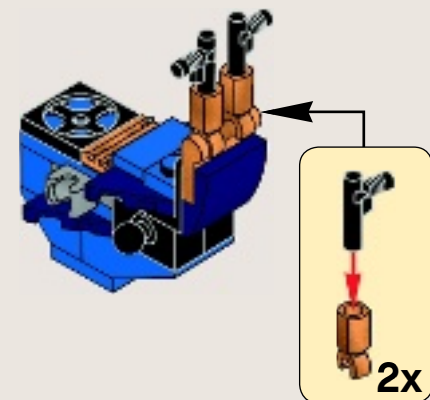
9



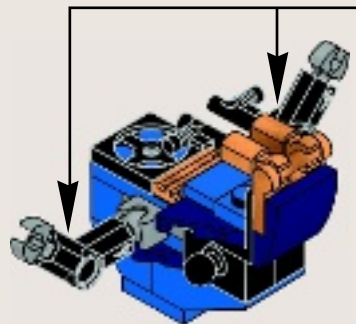
10

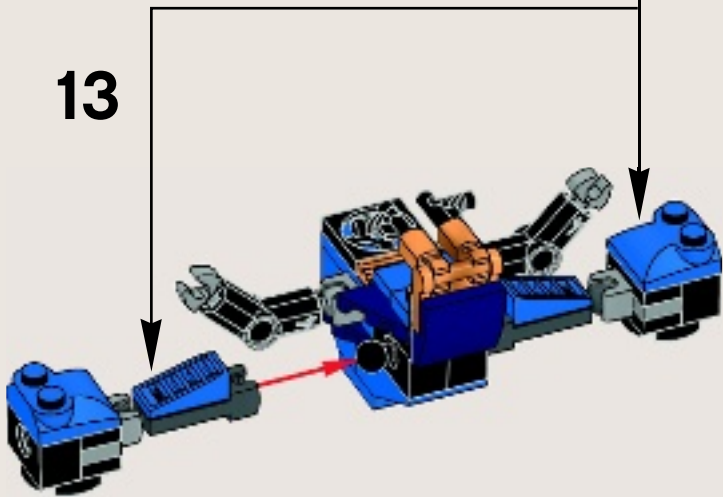
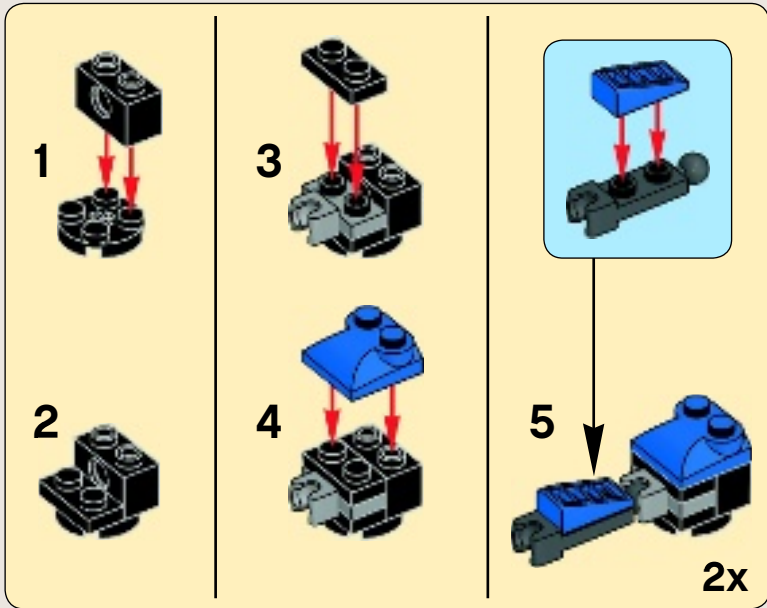


11

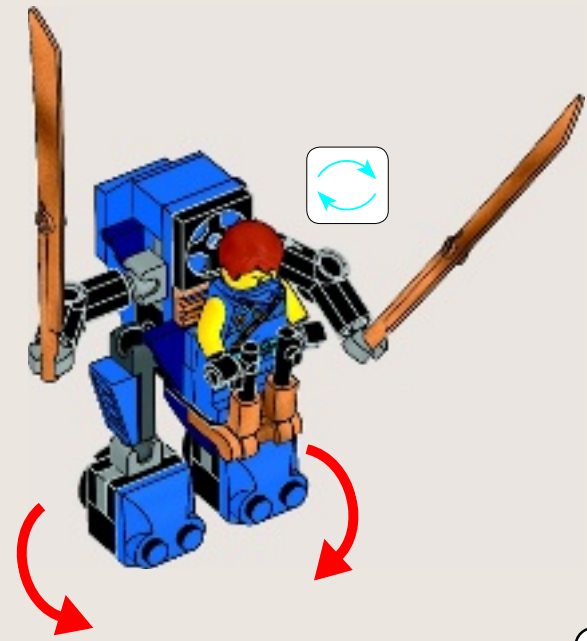


12





14



LEGO.com/service

LEGO.com/ninjabo

LEGO and the LEGO logo are trademarks of the/sont des marques de commerce du/son marcas registradas de LEGO Group. ©2015 The LEGO Group. 6122930



LEGO.COM/NINJABO