

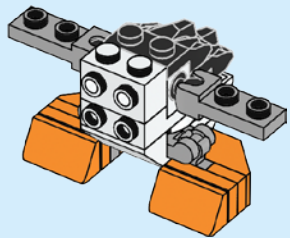
7 [LEGO.com/creator](https://www.LEGO.com/creator)

[LEGO.com/service](https://www.LEGO.com/service)

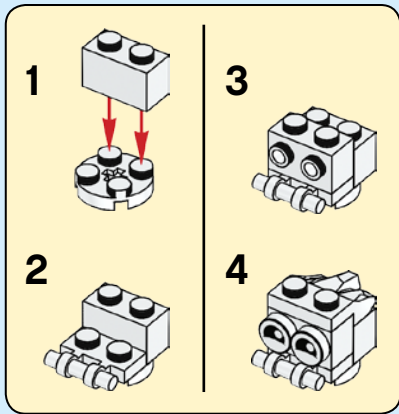
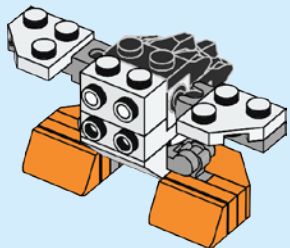
LEGO and the LEGO logo are trademarks of the/sont des marques de commerce du/son marcas registradas de LEGO Group. ©2019 The LEGO Group. 6268837



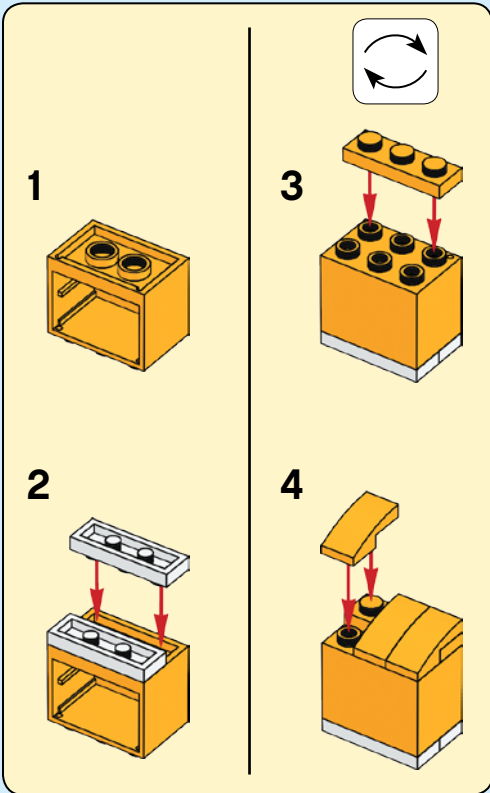
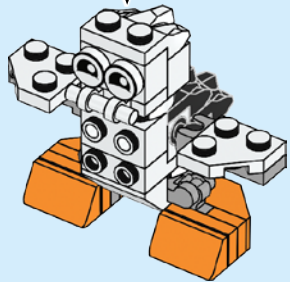
10



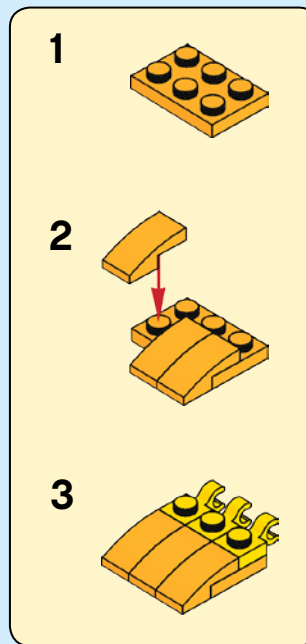
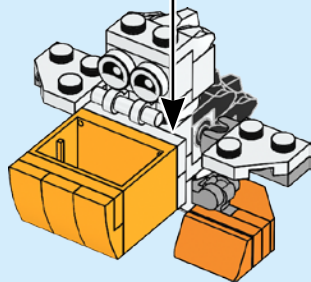
11



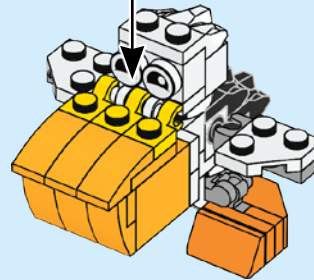
12



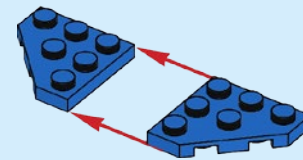
13



14



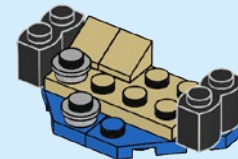
1



2



3



4

