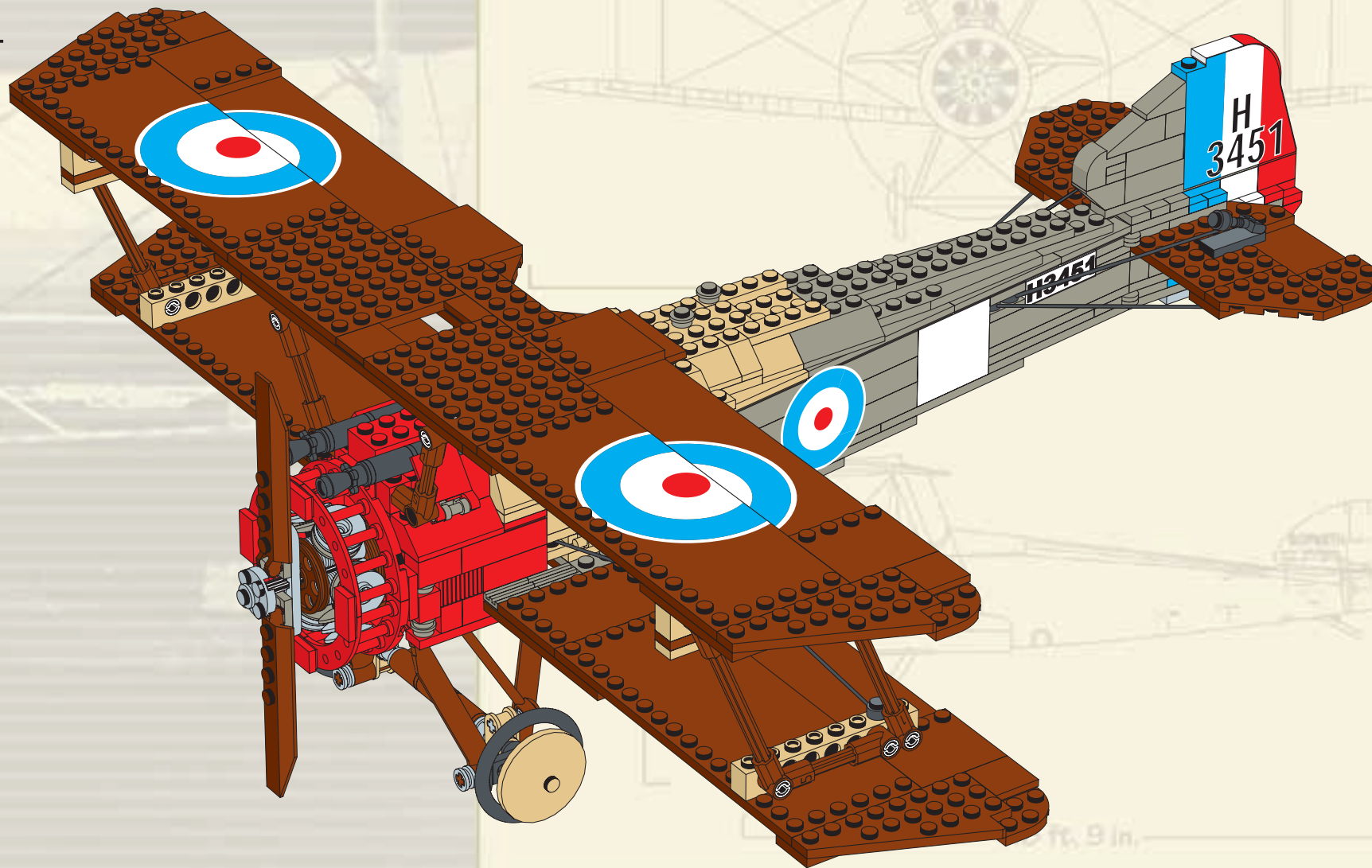
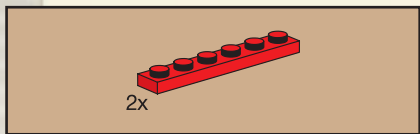
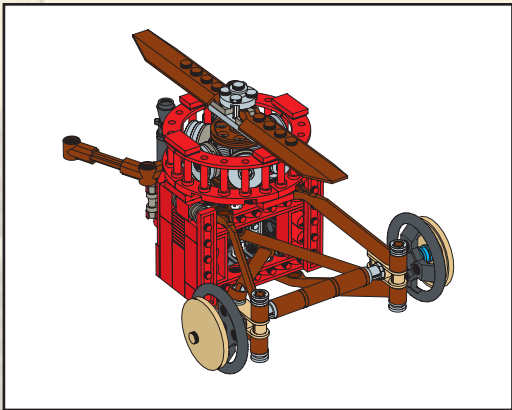
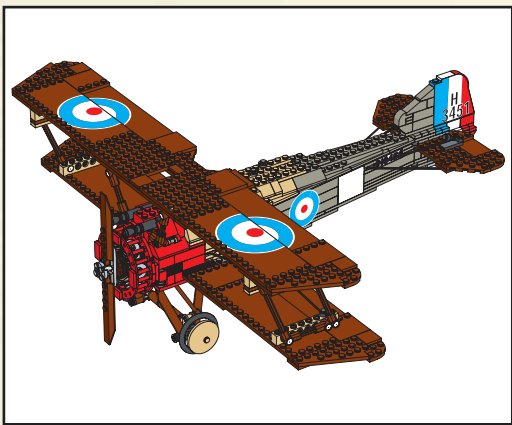




SOPWITH CAMEL

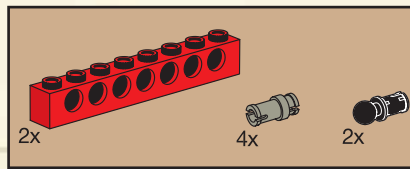
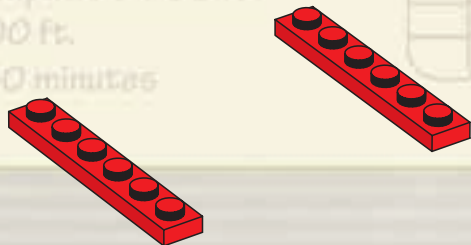
3451



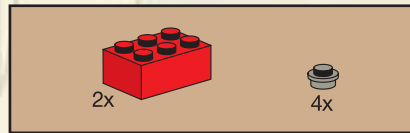
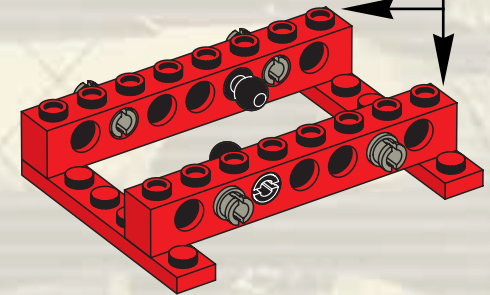
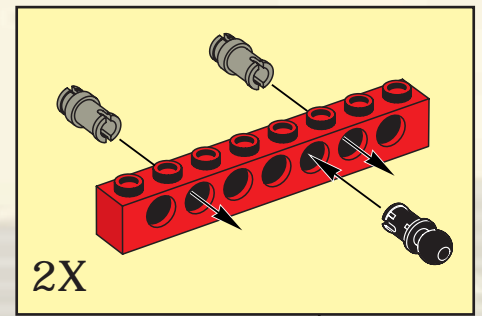


1

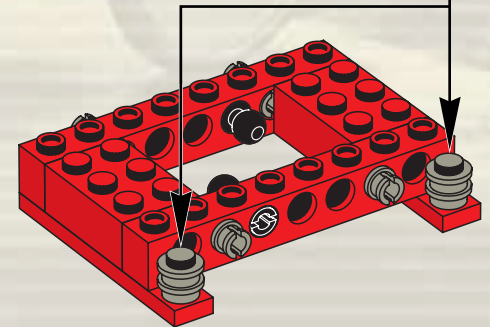
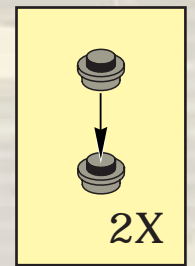
Engine power: 130 hp
Maximum speed: 115 mph at 6,500 ft.
Service ceiling: 19,000 ft.
Endurance: 2 hours 30 minutes

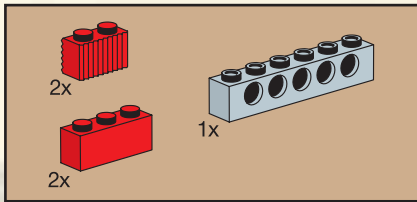


2

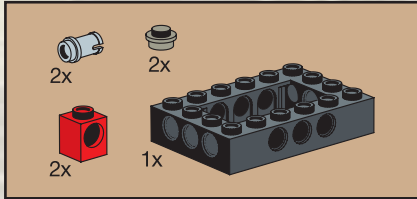
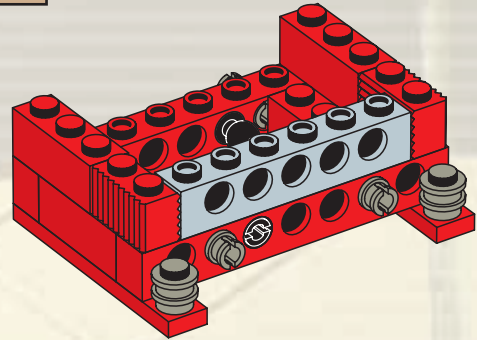


3

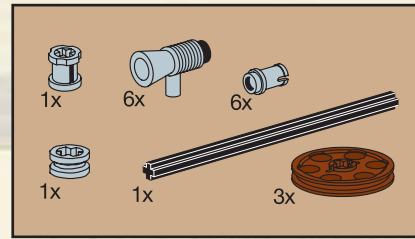
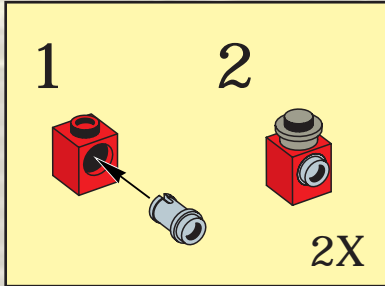
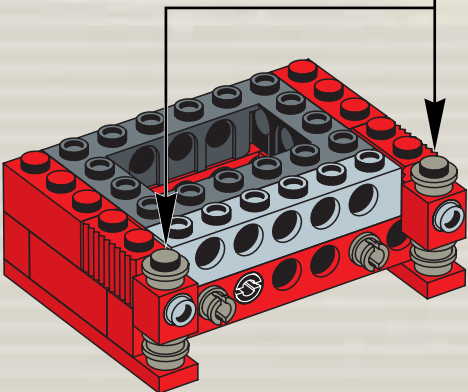




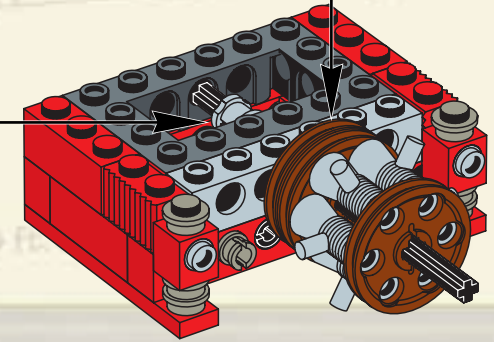
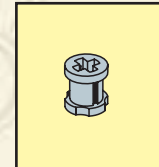
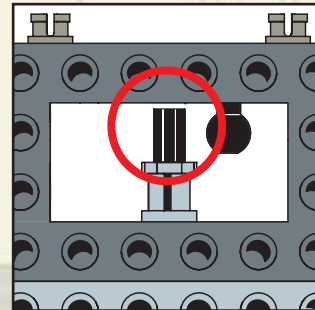
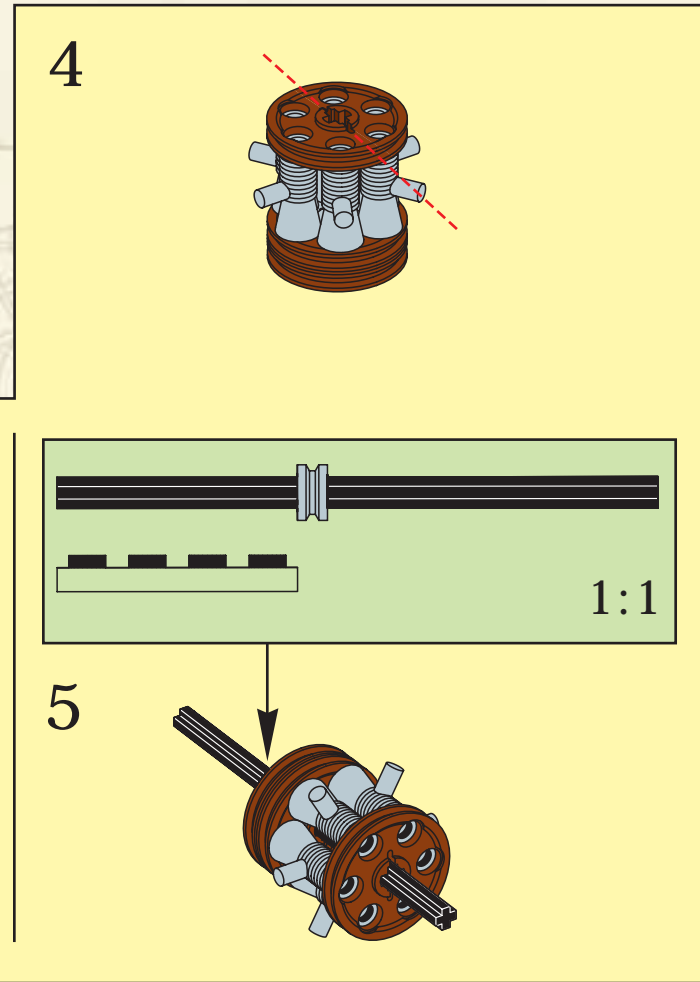
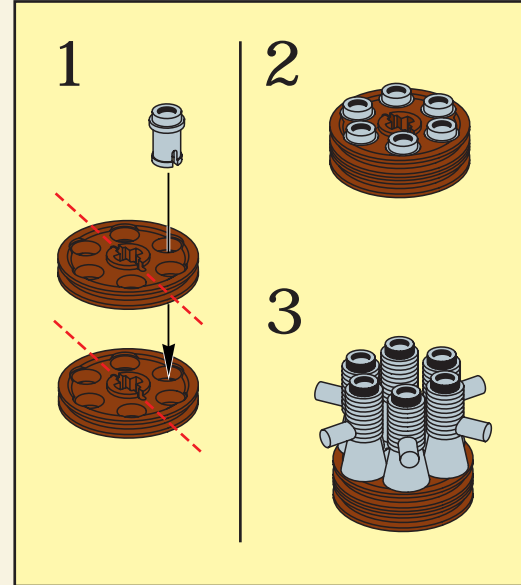
4

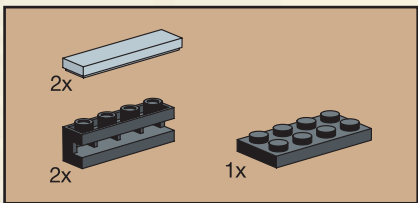


5

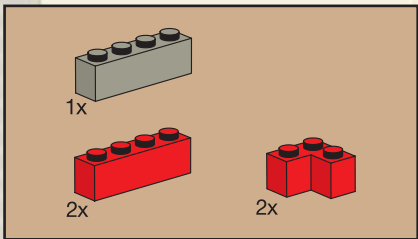
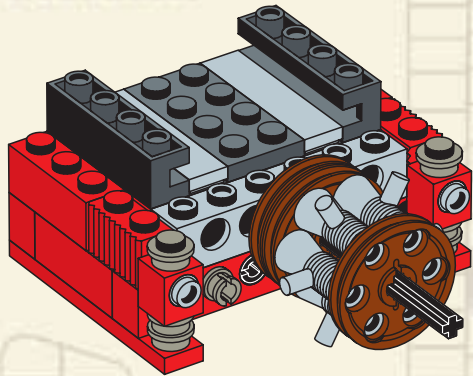


6

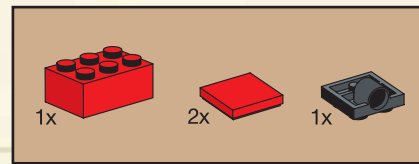
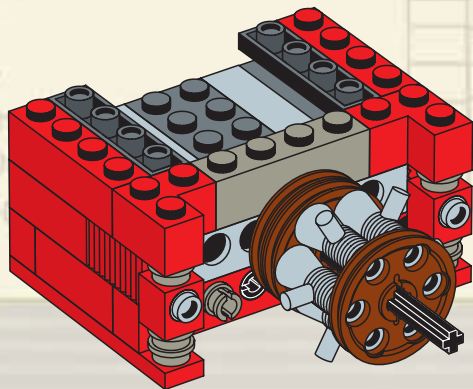




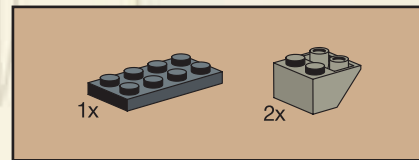
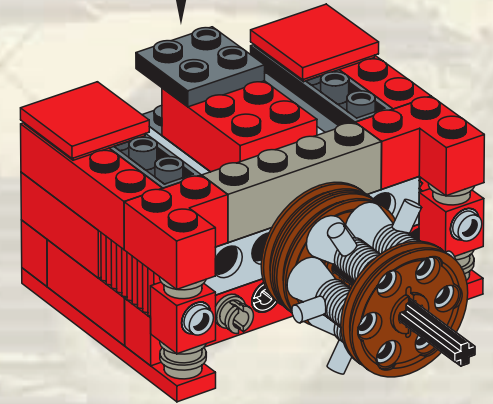
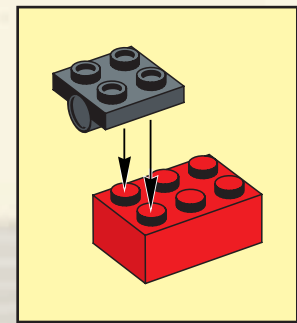
7



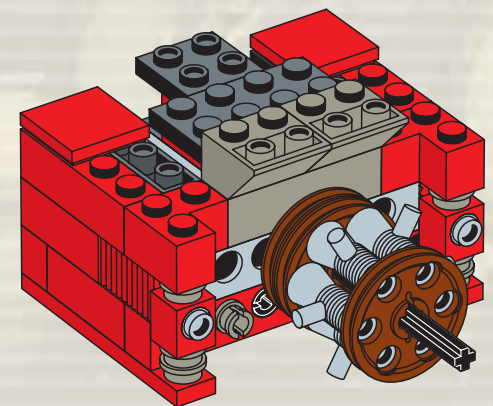
8



9



10



SOPWITH "CAMEL"

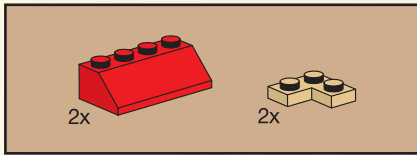
Max weight: 1,453 lbs

Engine power: 130 hp

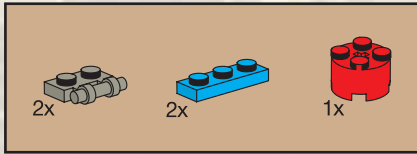
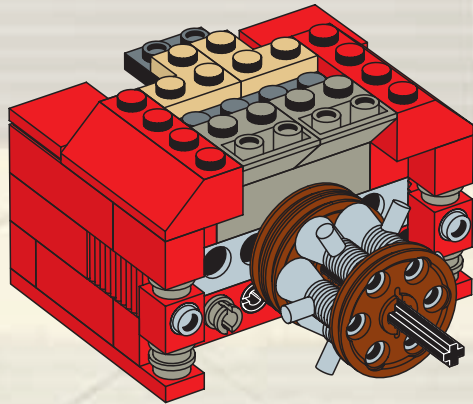
Maximum speed: 115

Service ceiling: 19,000

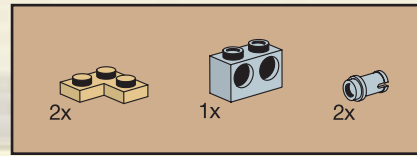
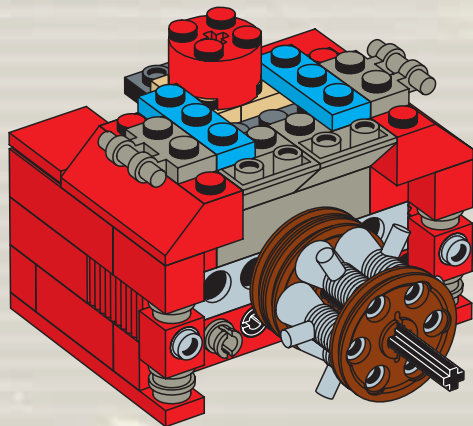
Endurance: 2 hours 30



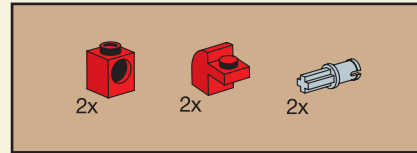
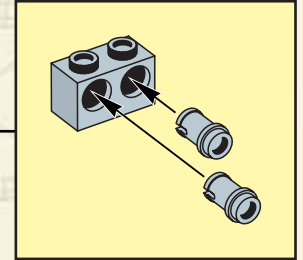
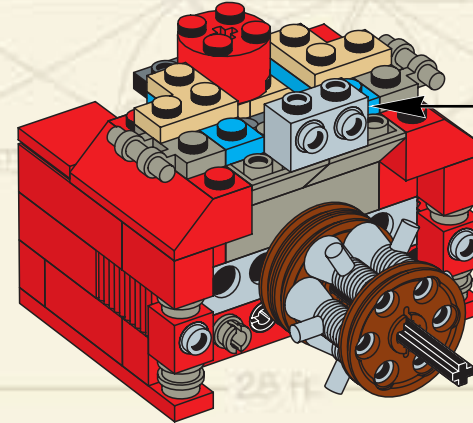
11



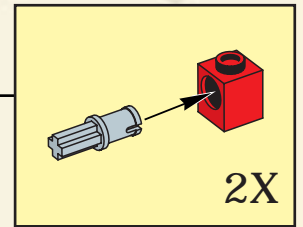
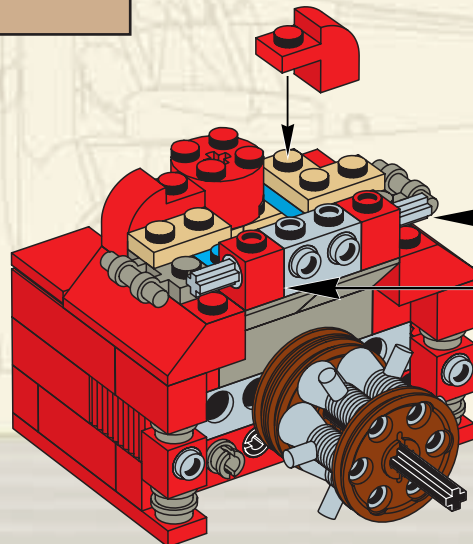
12

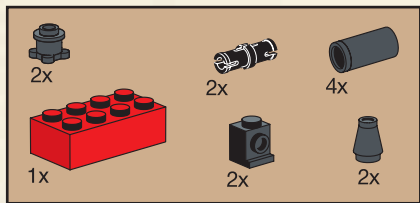


13

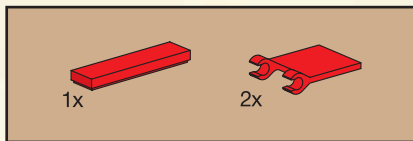
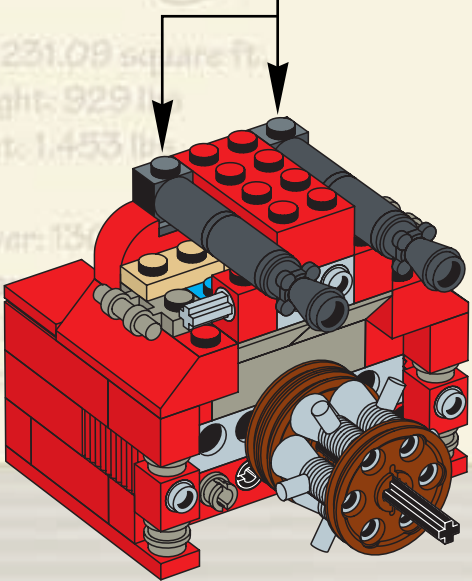
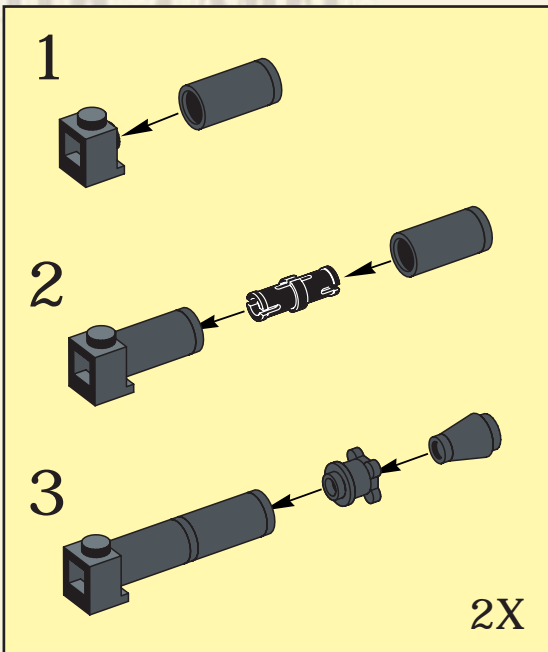


14

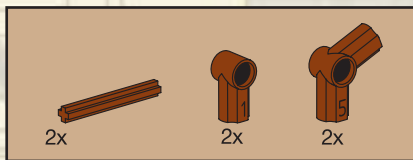
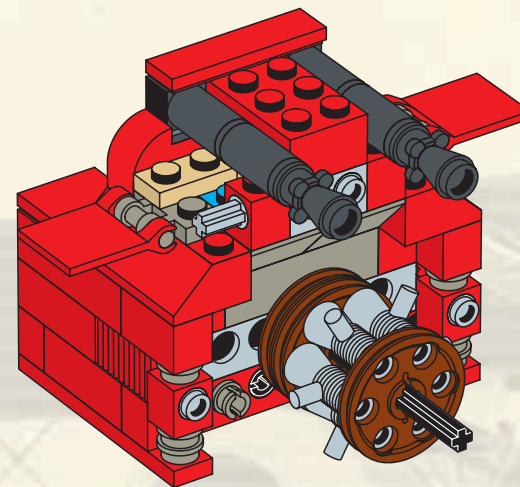




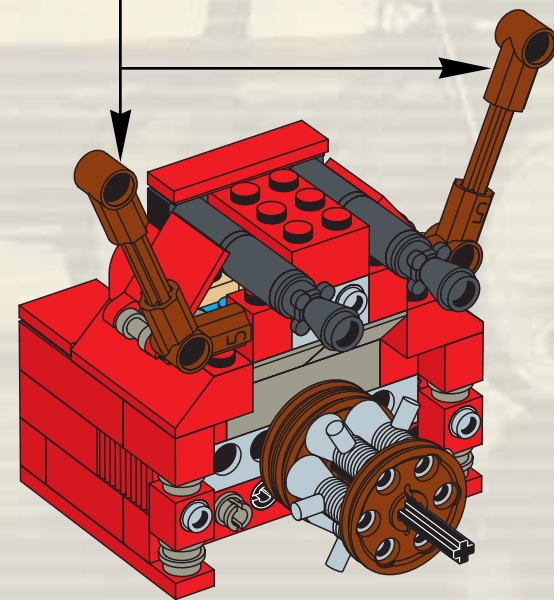
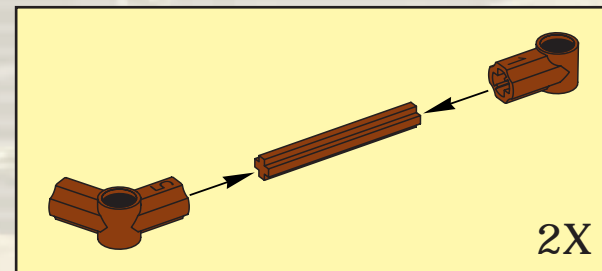
15



16

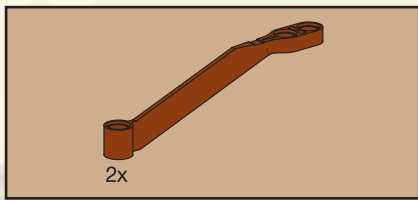


17

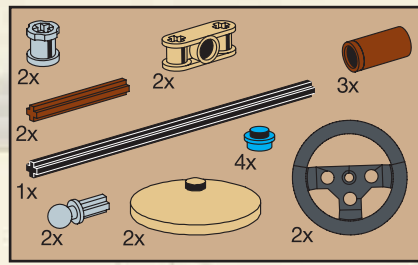
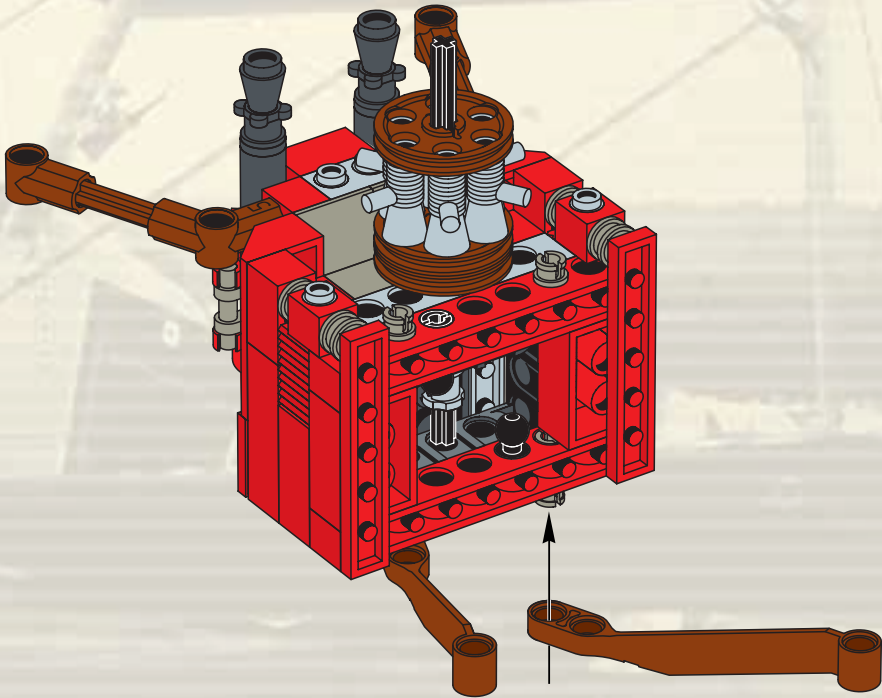


Wing area: 231.09 square ft
 Empty weight: 929 lb
 Max weight: 1,453 lb

Engine power: 135 hp
 Maximum speed: 150 mph
 Service ceiling: 10,000 ft
 Endurance: 10 hours

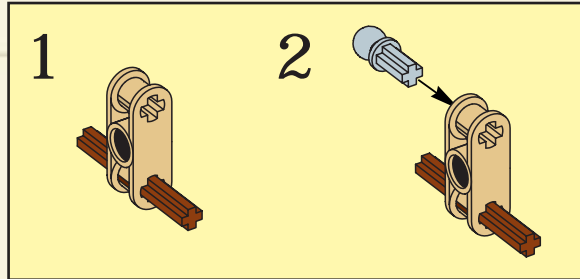


18

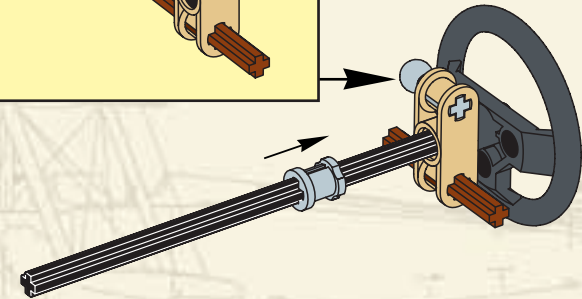


19

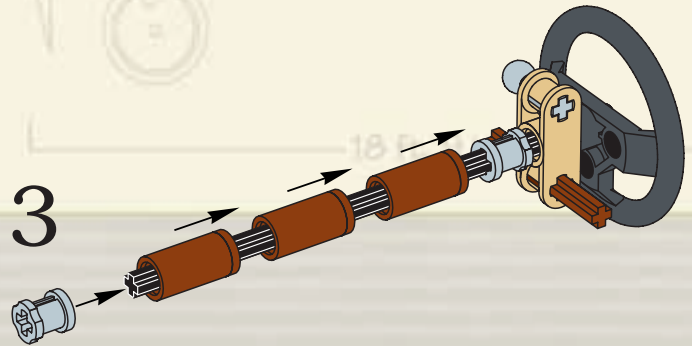
1

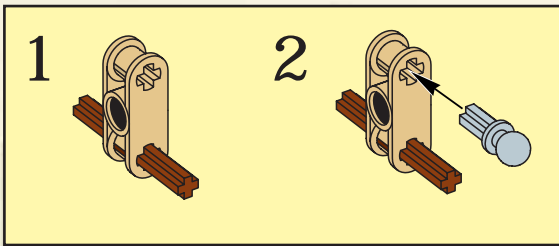


2

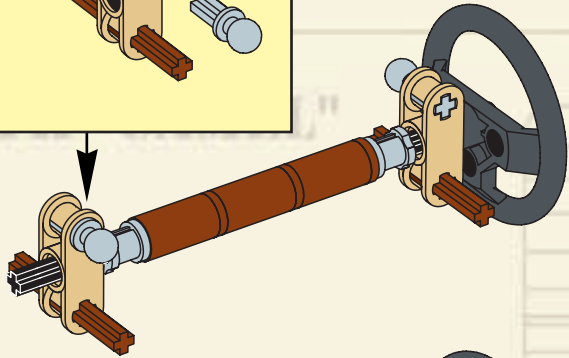


3

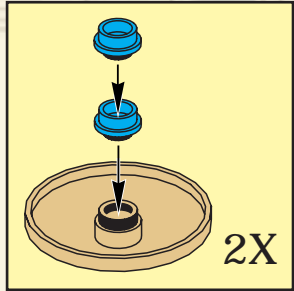
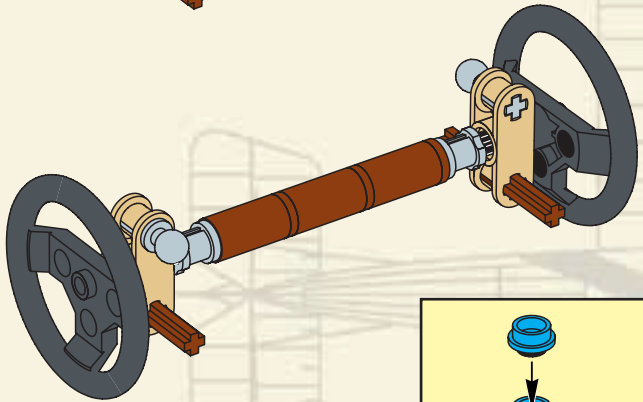




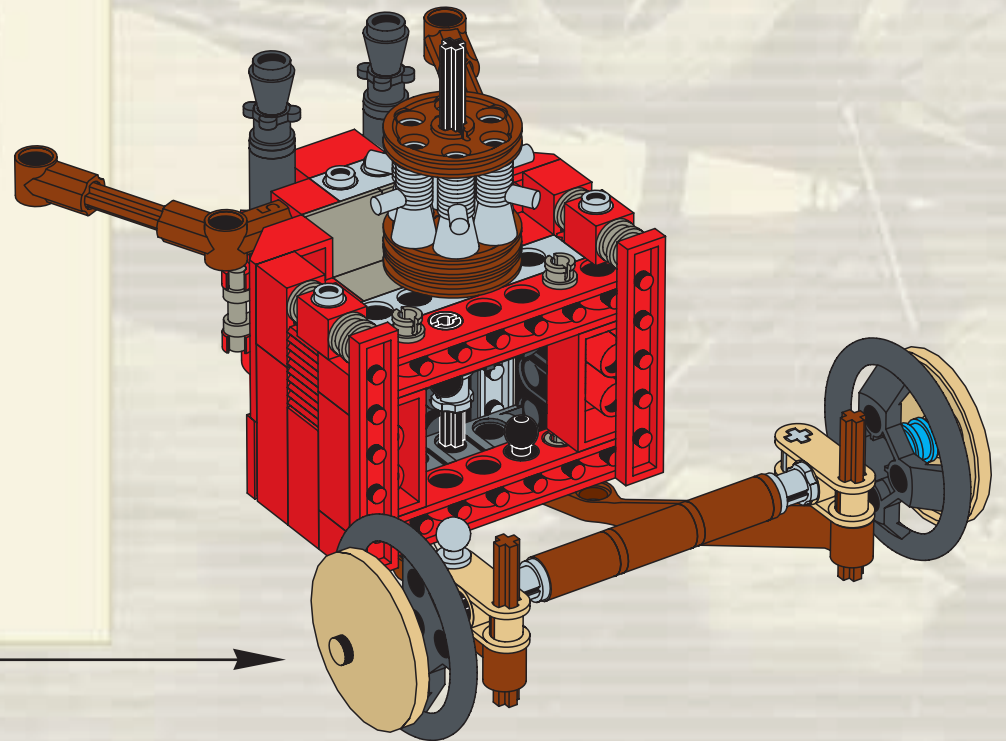
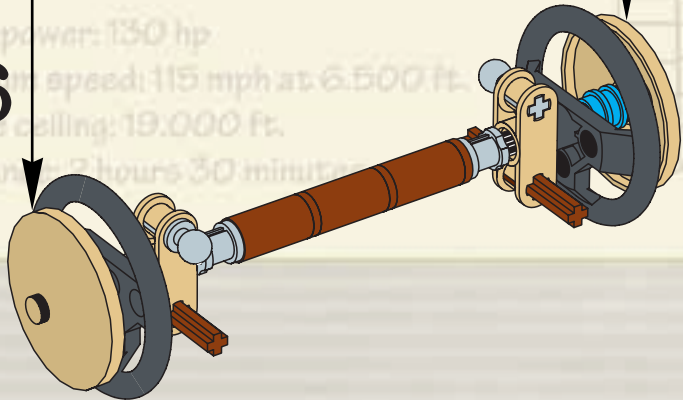
4



5

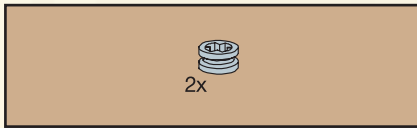


6

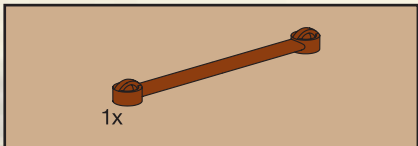
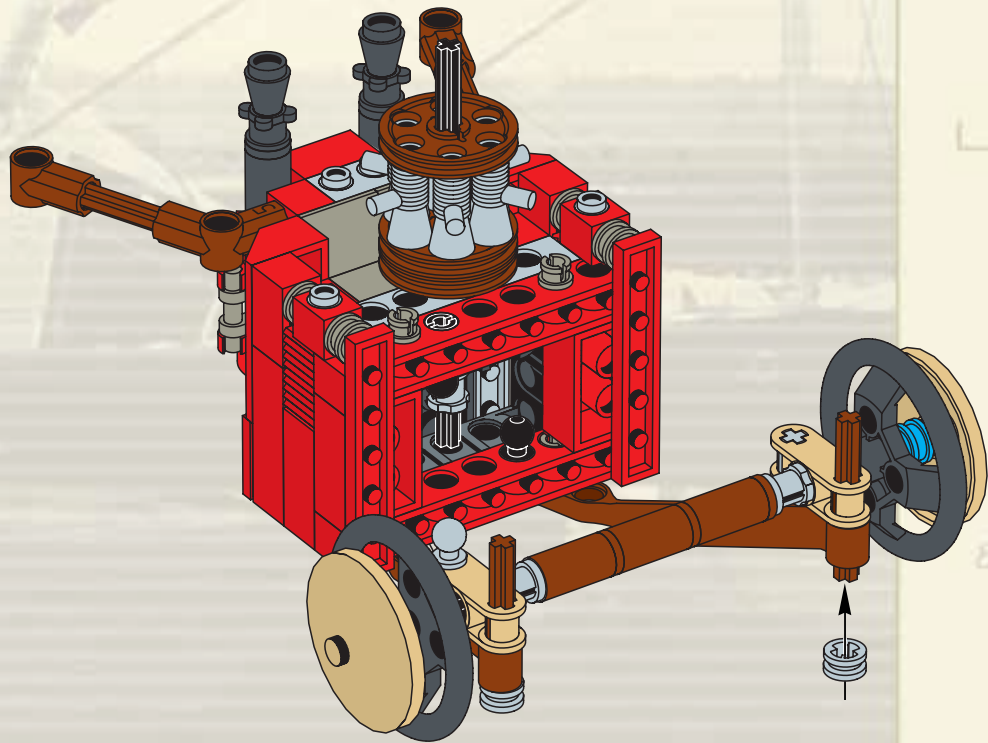


Wing area: 231.09 square ft.
Empty weight: 929 lbs
Max weight: 1,453 lbs

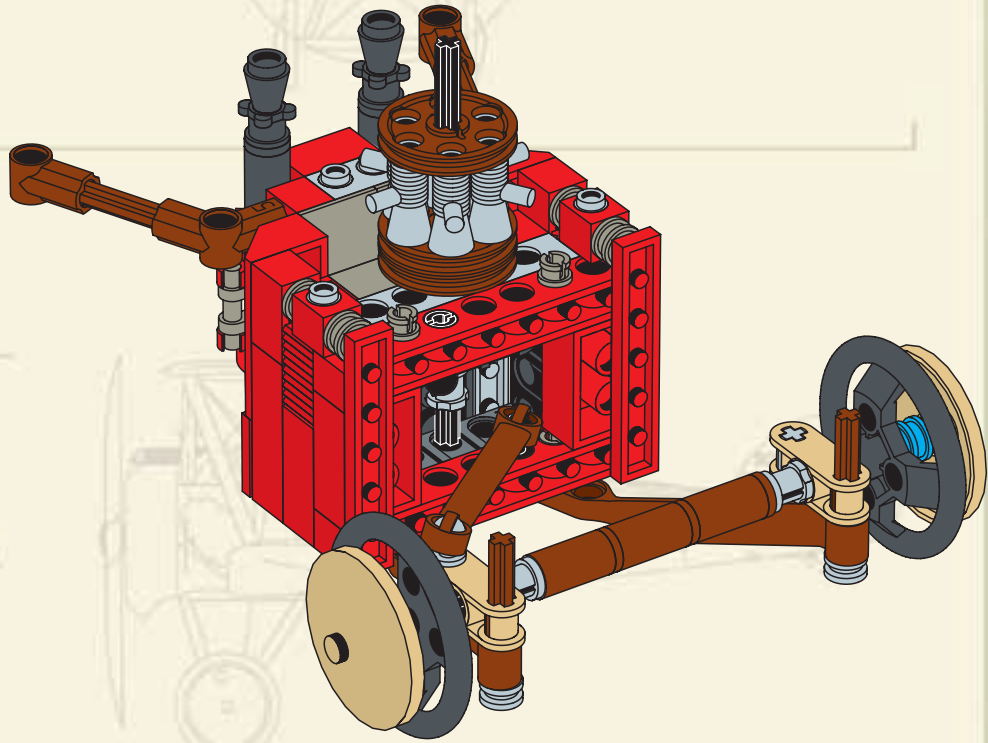
Engine power: 130 hp
Max speed: 115 mph at 6,500 ft.
Service ceiling: 19,000 ft.
Endurance: 5 hours 30 minutes



20

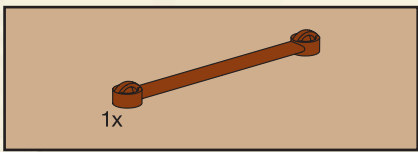


21

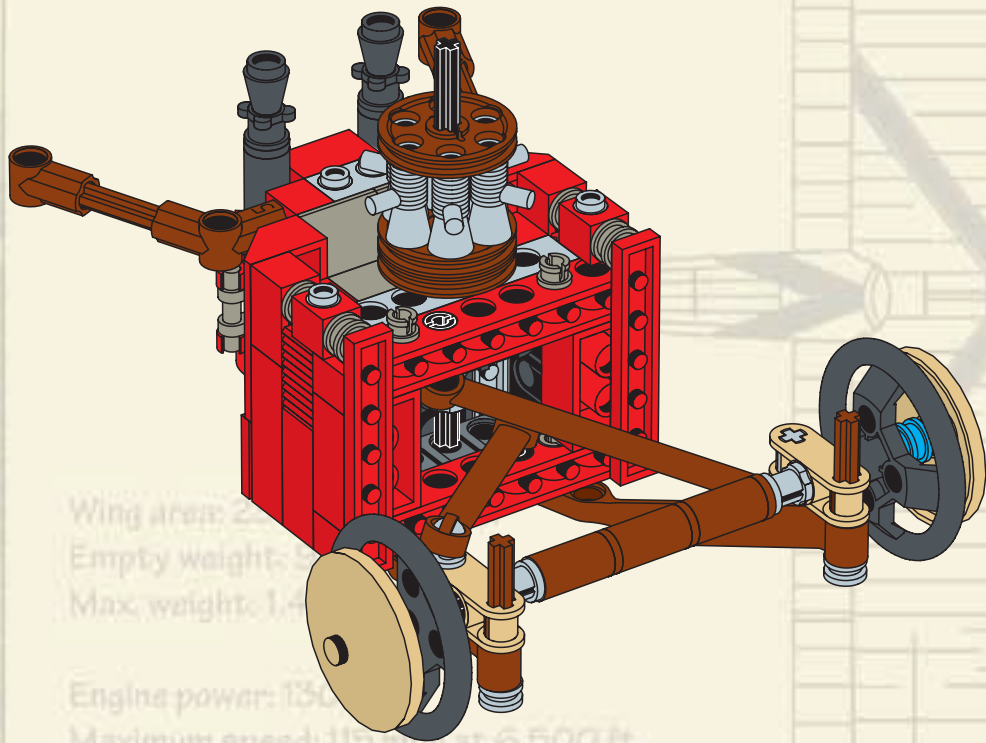


8 ft. 6 in.

18 ft. 9 in.

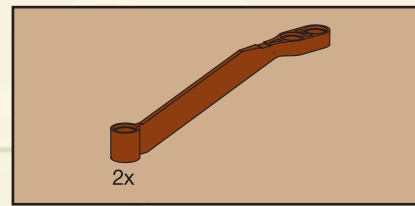


22 OPWITH "CAMEL"

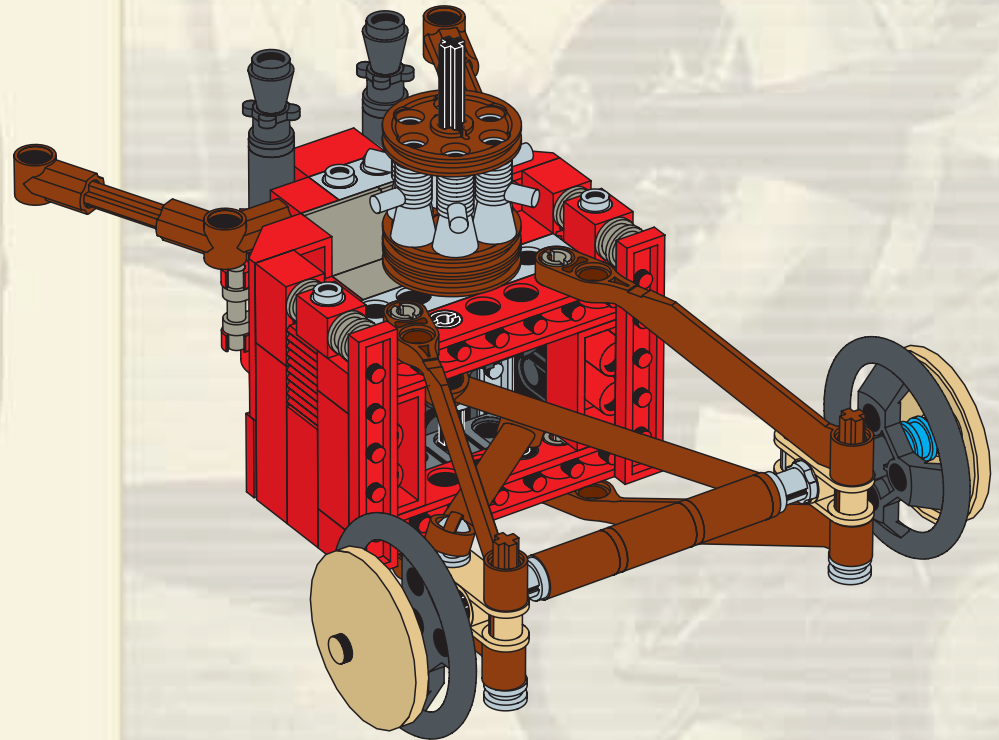


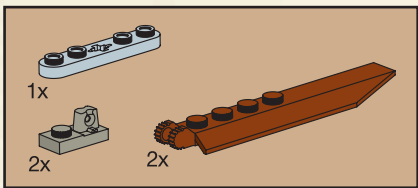
Wing area: 2
 Empty weight: 5
 Max weight: 1.4

Engine power: 130
 Maximum speed: 115 mph at 6,500 ft.
 Service ceiling: 19,000 ft.
 Endurance: 2 hours 30 minutes

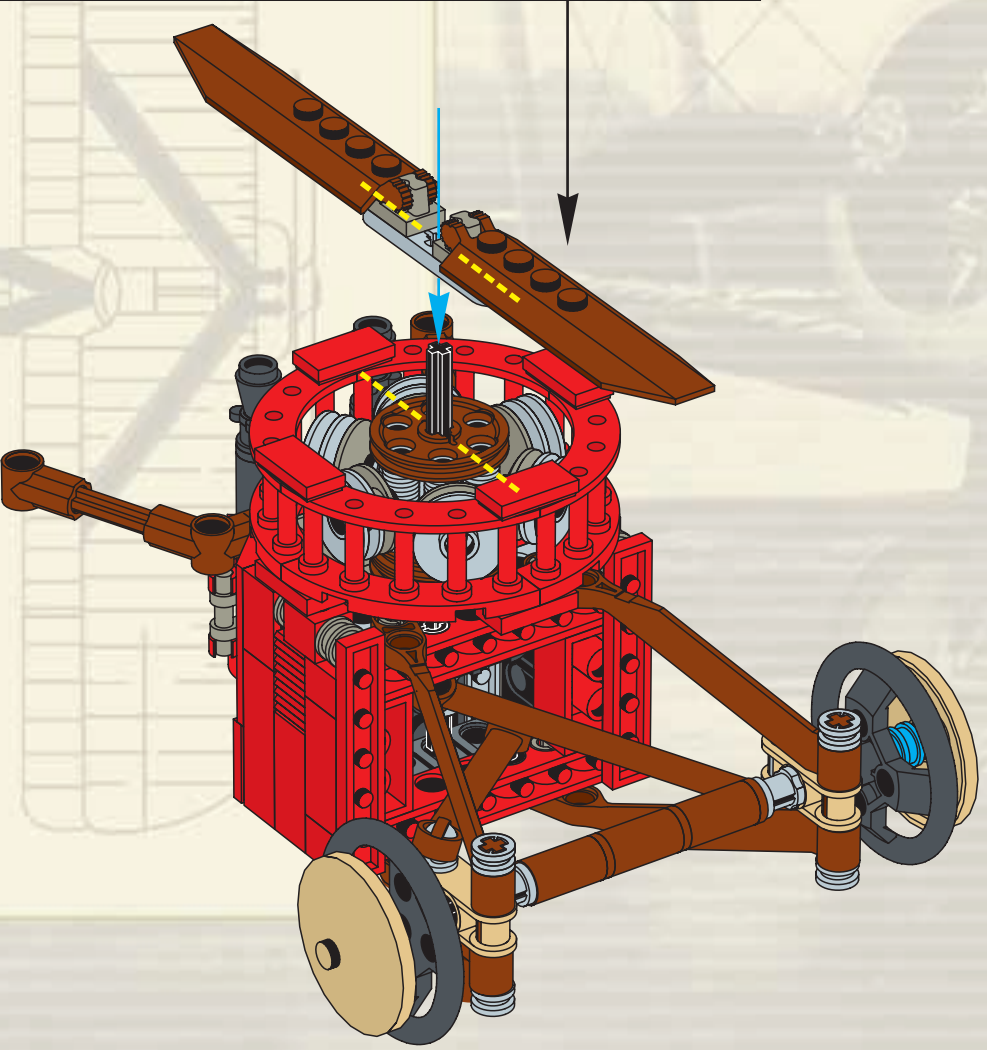
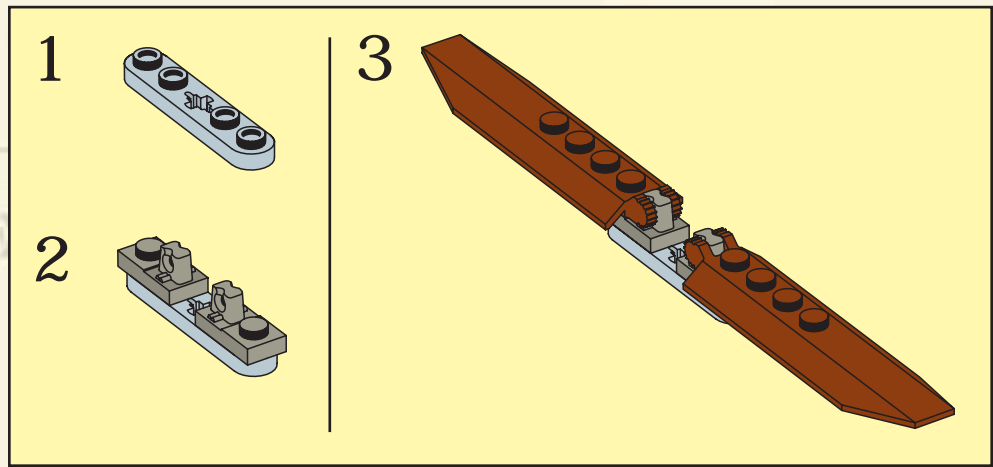


23



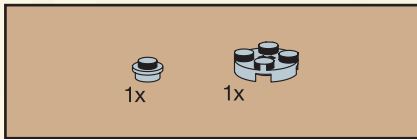


26

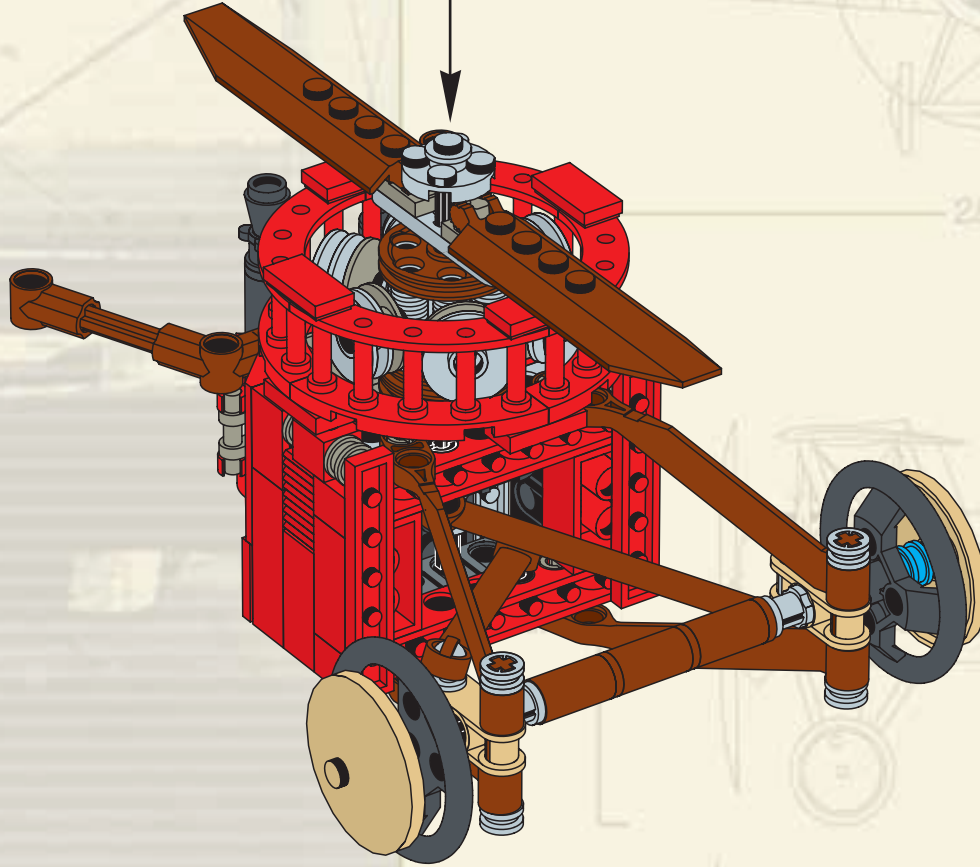
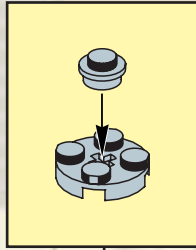


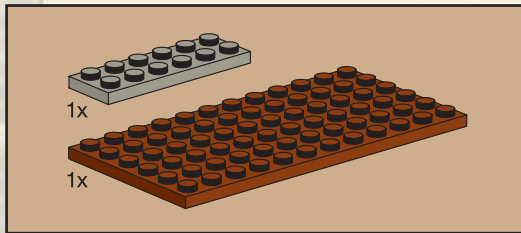
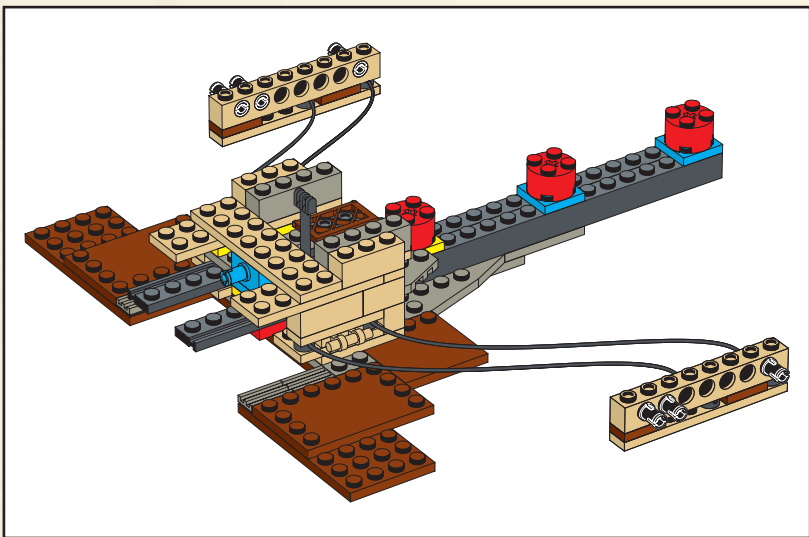
Wing area: 231.09 square ft.
 Empty weight: 929 lbs
 Max weight: 1,453 lbs

Engine power: 130 hp
 Maximum speed: 115 mph at 6,500 ft.
 Service ceiling: 19,000 ft.
 Endurance: 2 hours 30 minutes



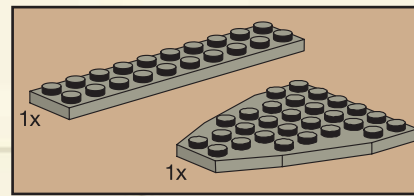
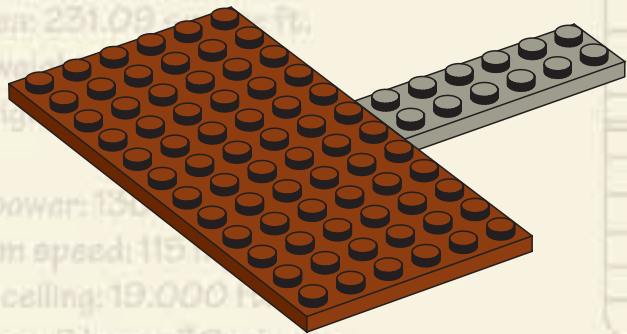
27



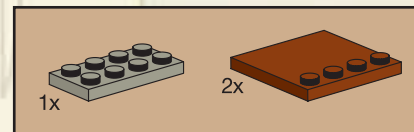
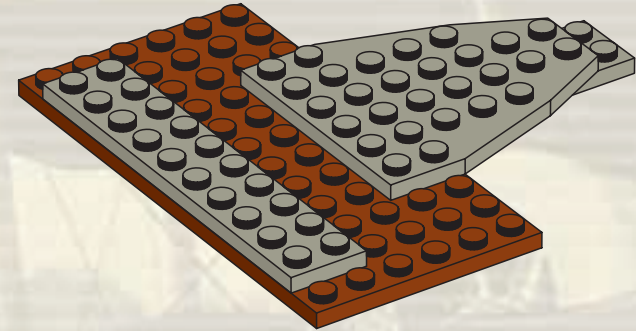


1

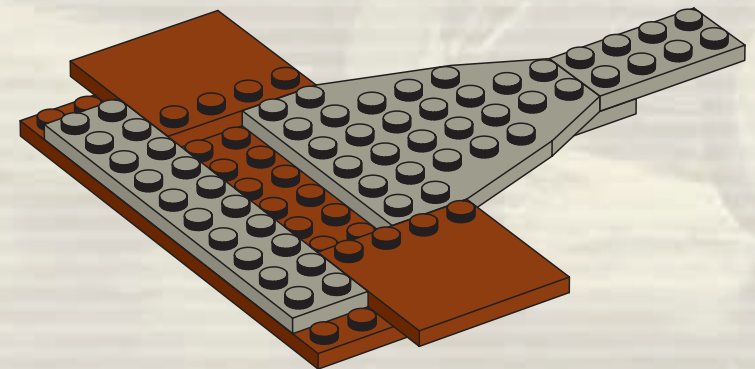
Wing area: 231.09 ft.
 Empty weight: 1.5 lb
 Max. weight: 2.5 lb
 Engine power: 150 W
 Maximum speed: 115 mph
 Service ceiling: 19,000 ft.
 Endurance: 2 hours 30 minutes

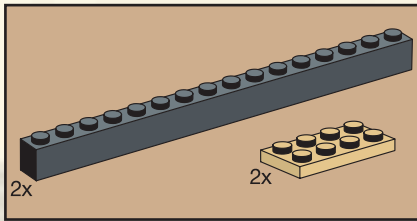


2

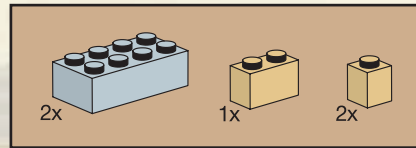
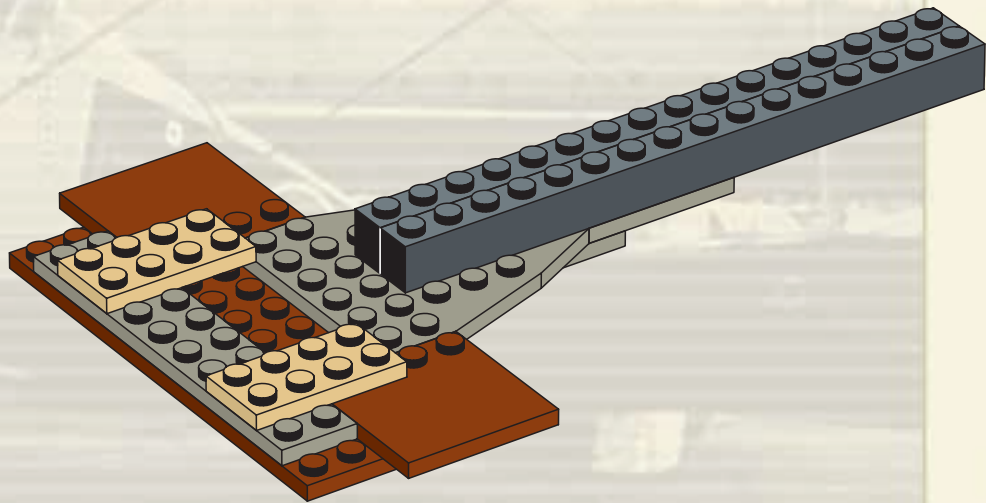


3

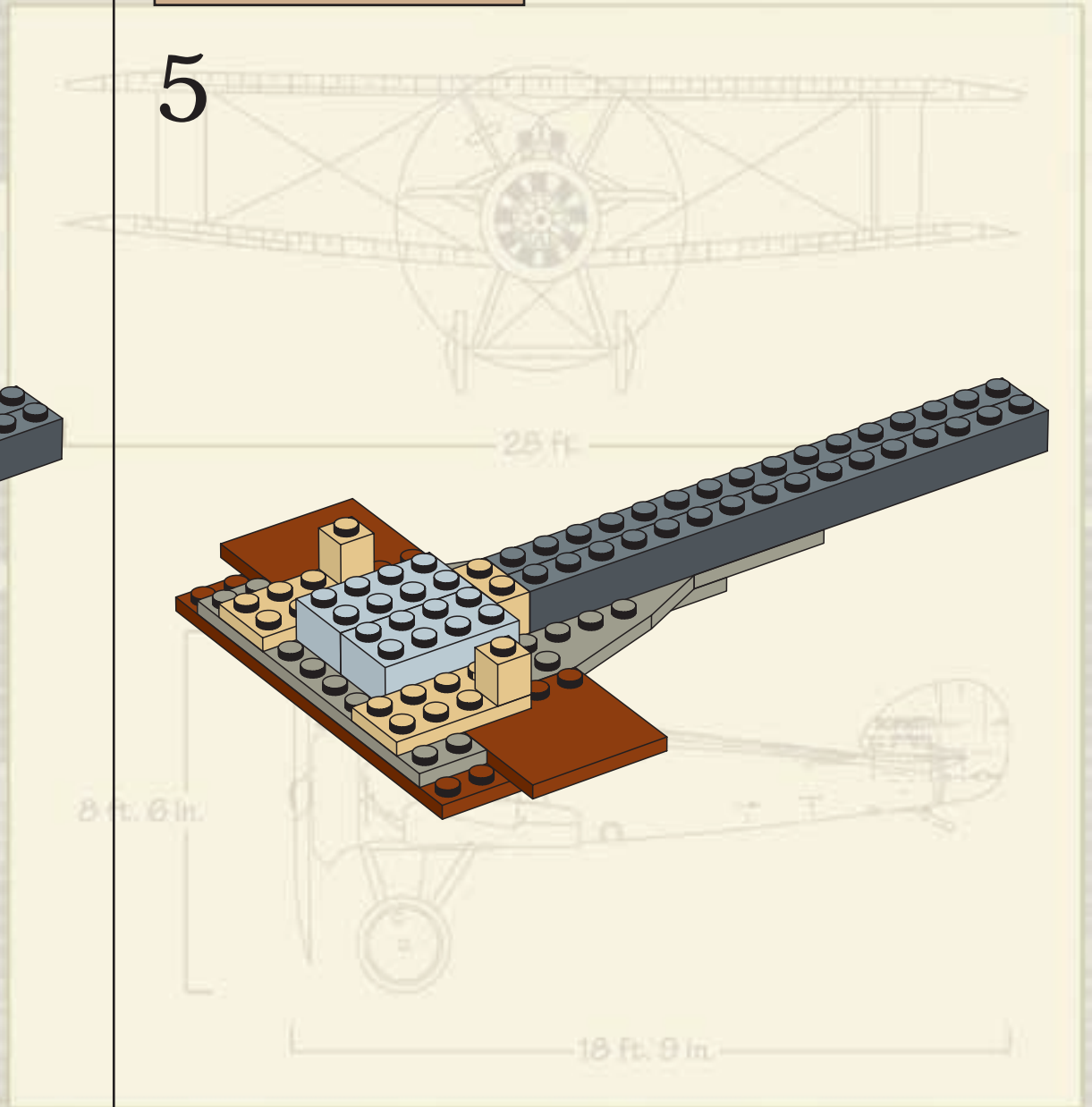


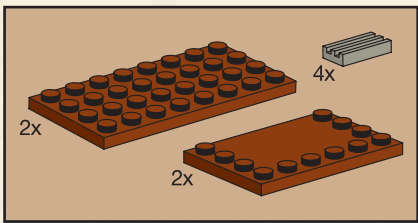


4

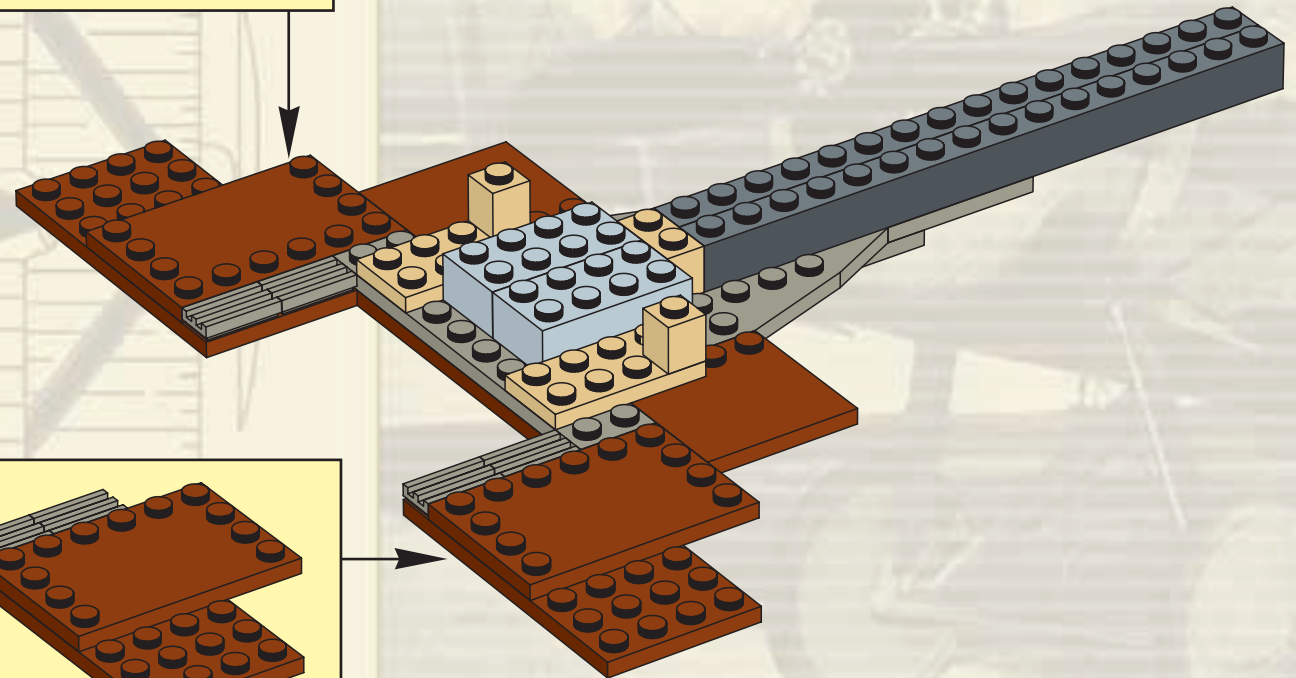
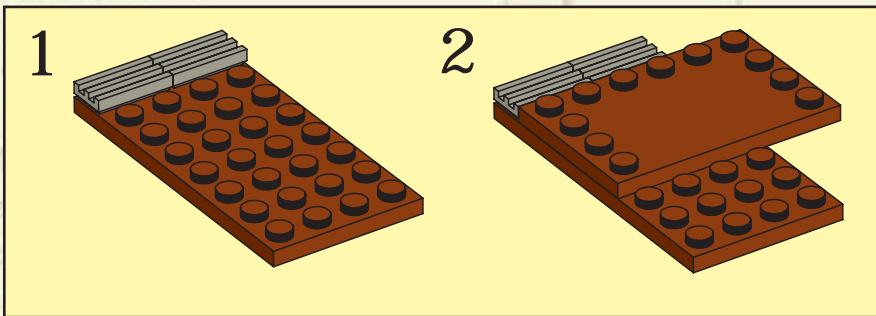
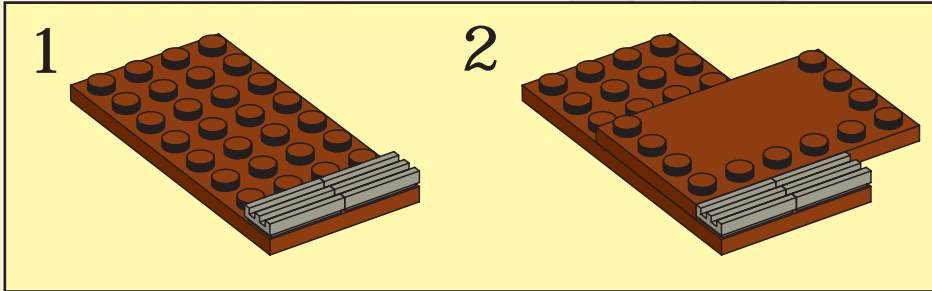


5





6



Wing area: 231.09 square ft.

Empty weight:

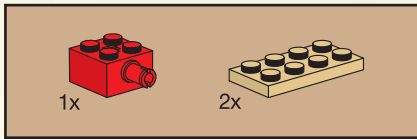
Max weight: 1

Engine power:

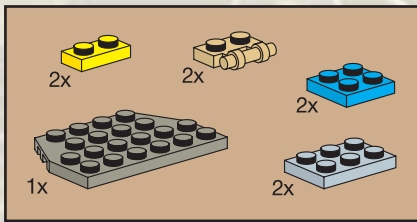
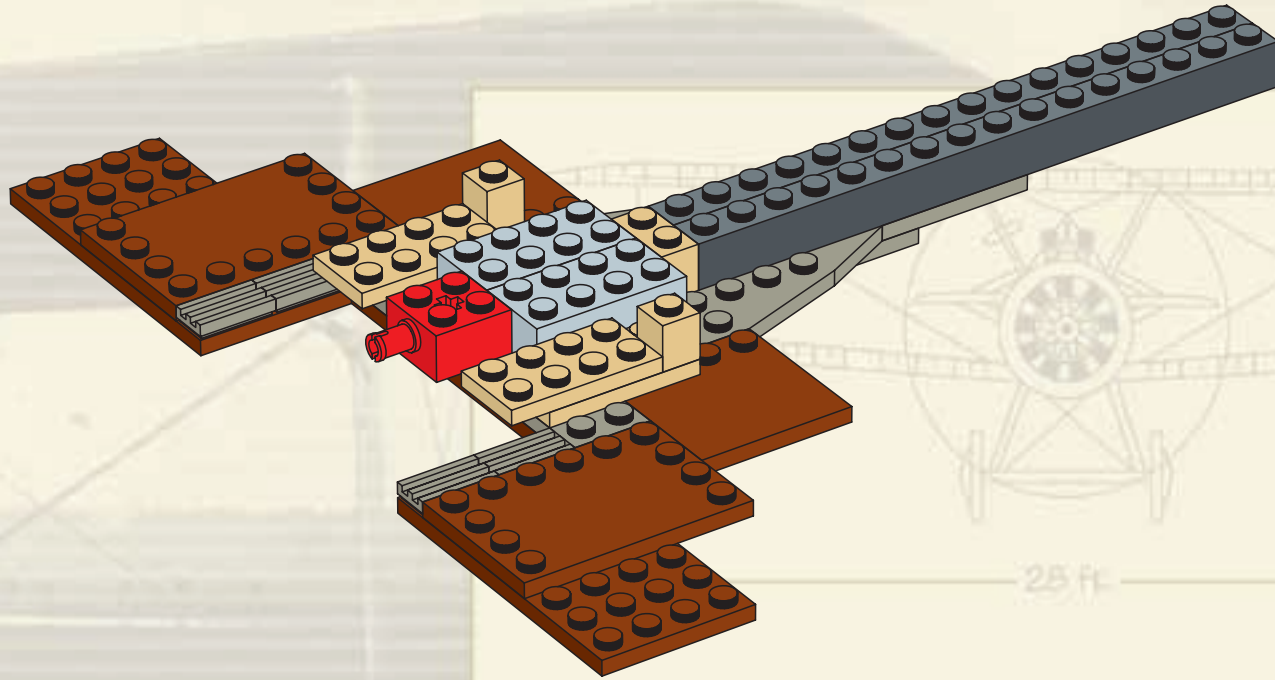
Maximum speed:

Service ceiling:

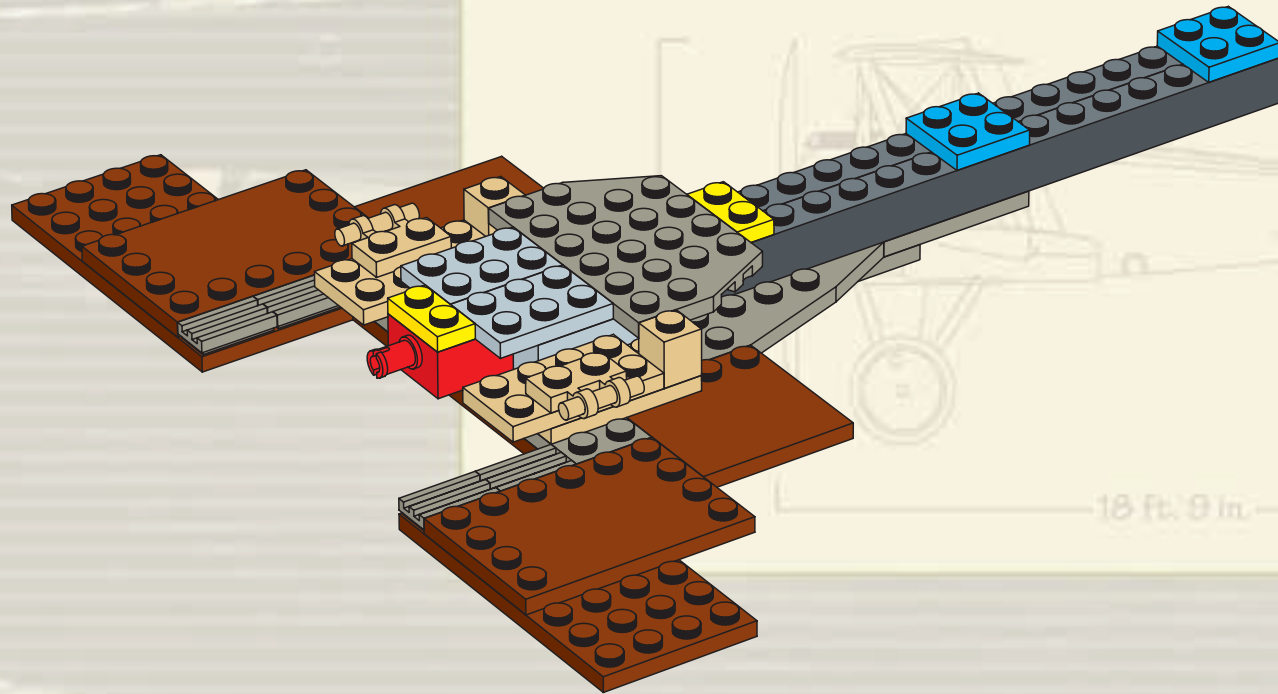
Endurance: 2h



7

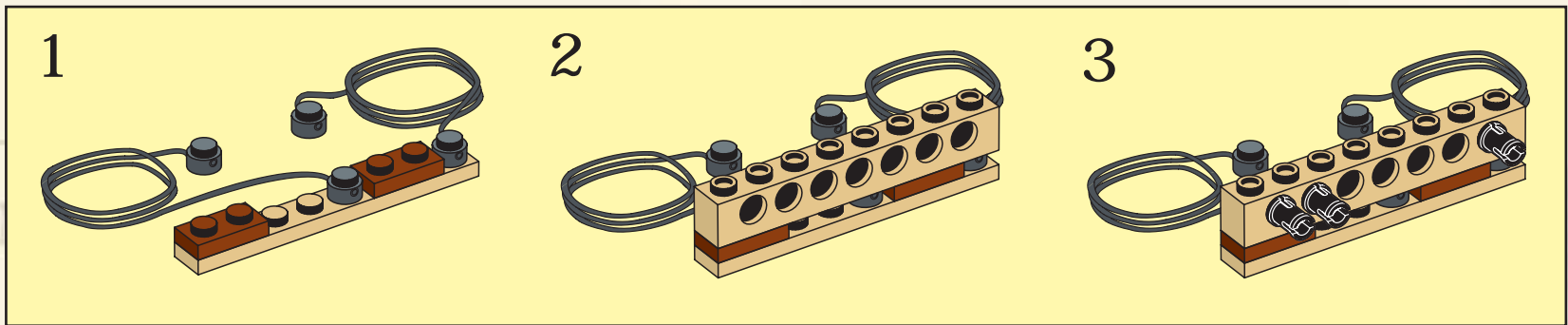
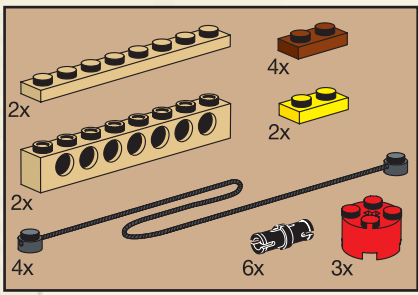


8

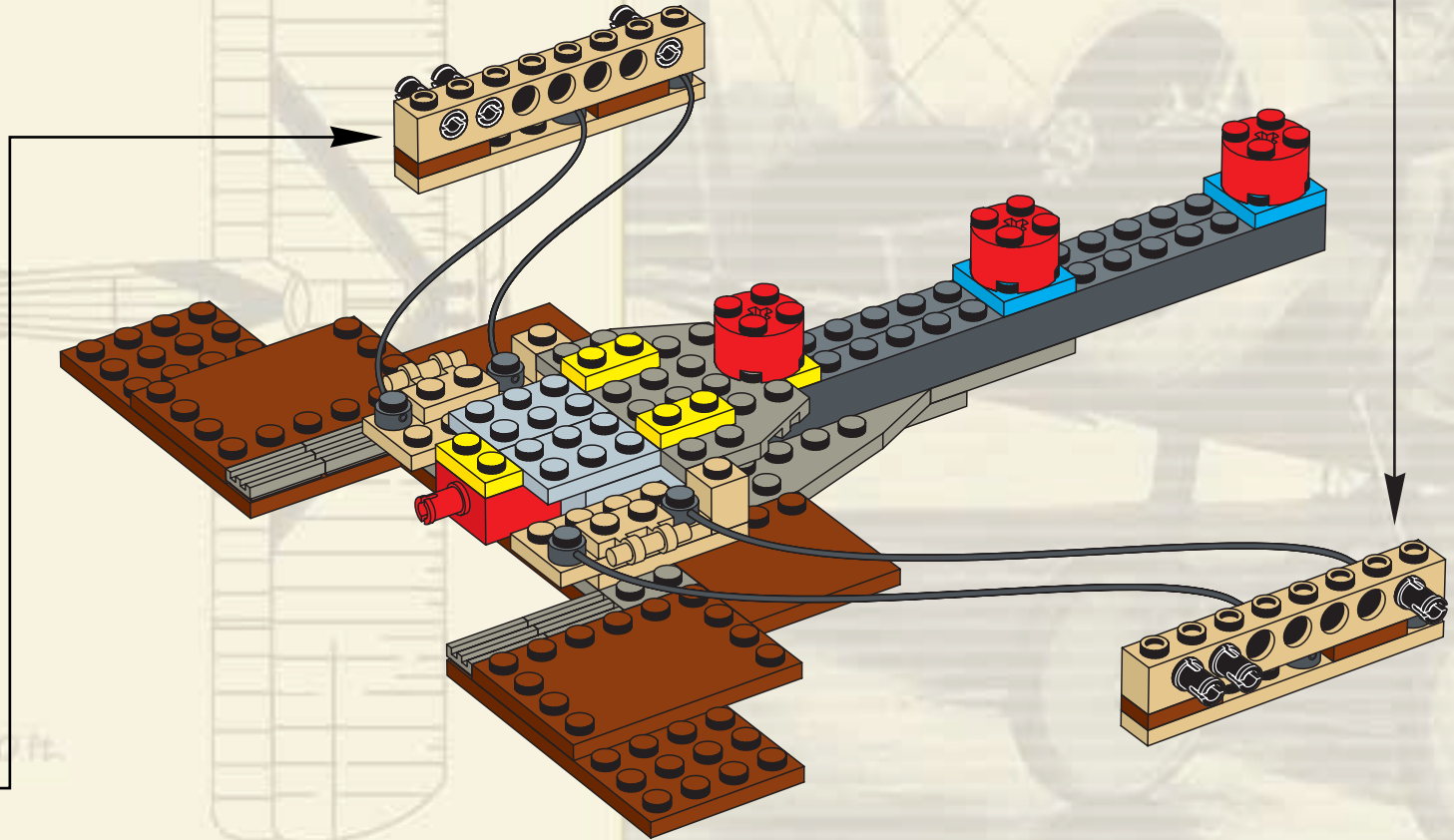
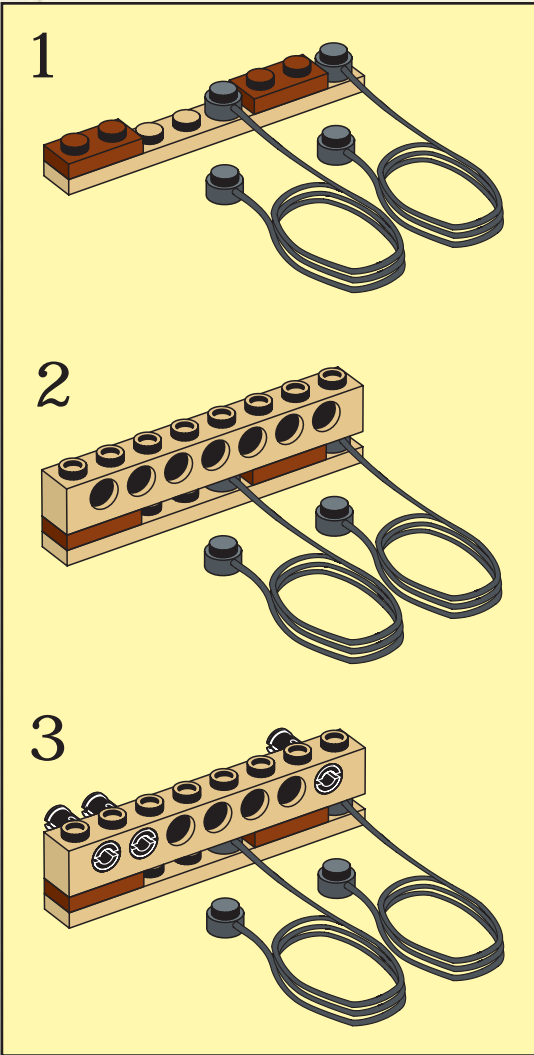


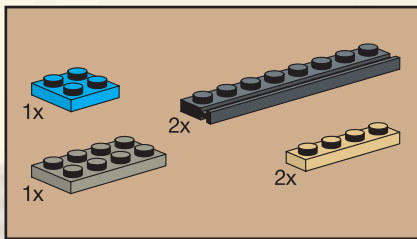
25 ft.

18 ft. 9 in.

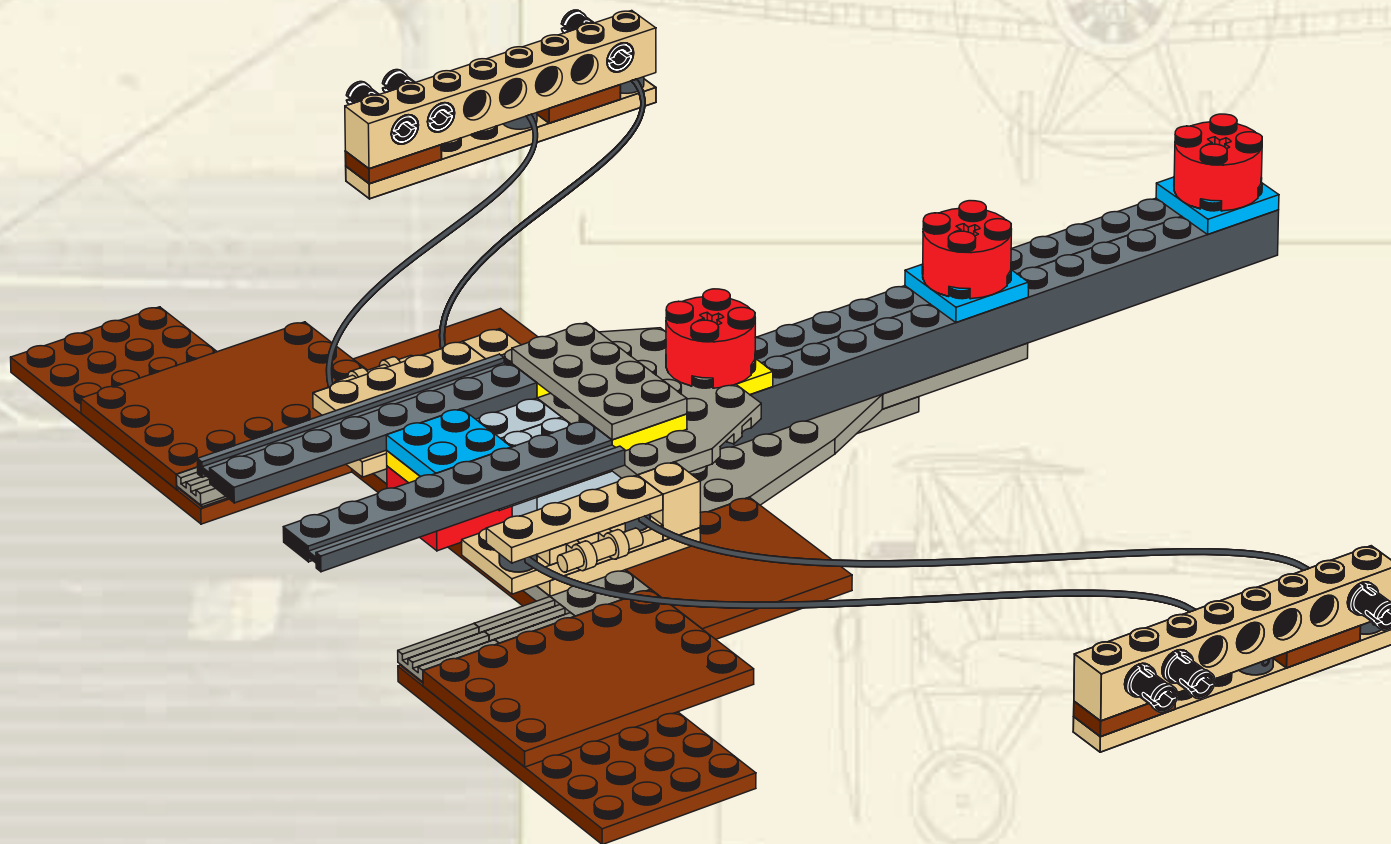


9

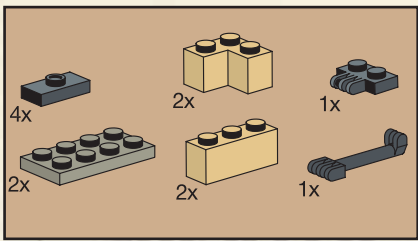




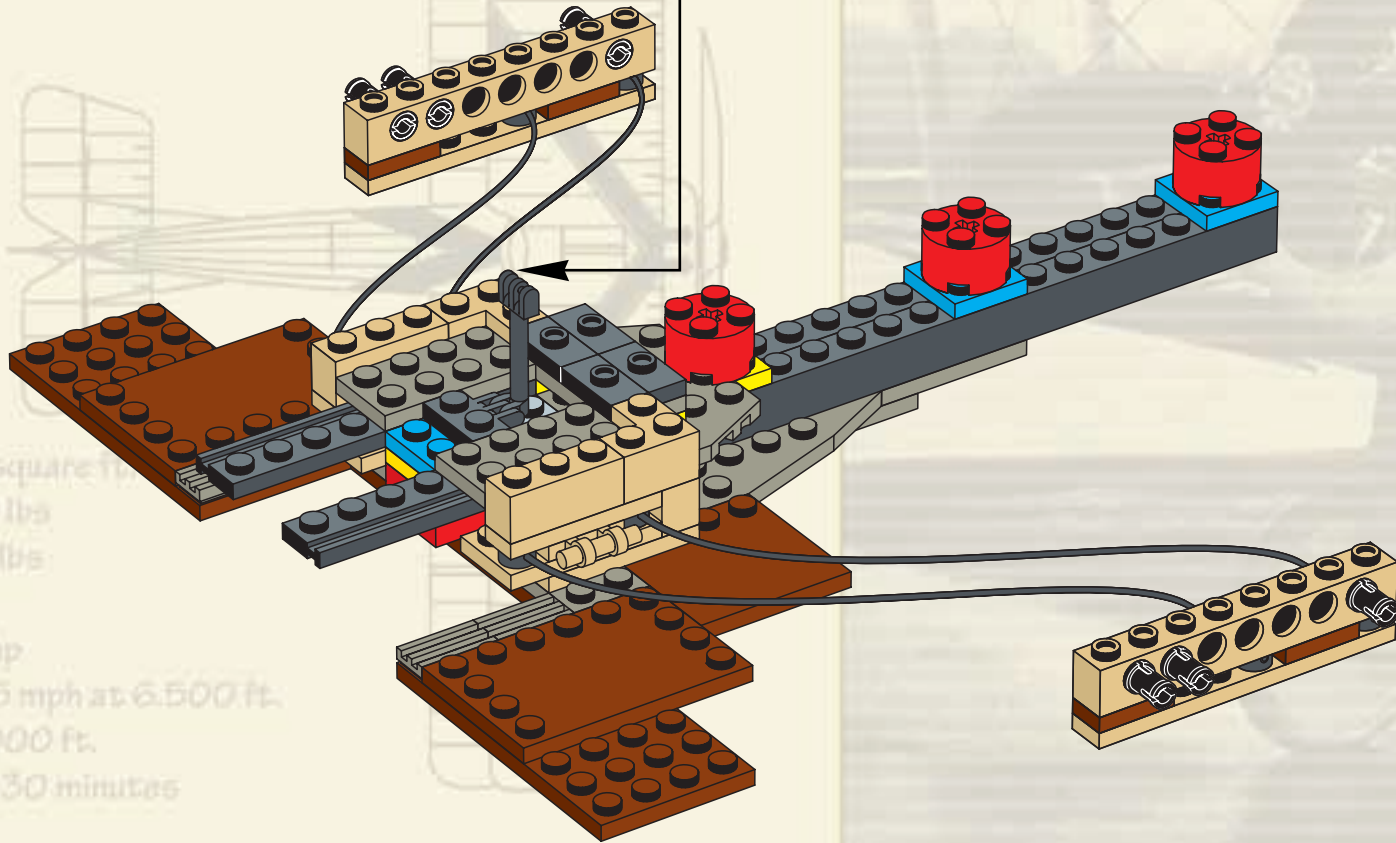
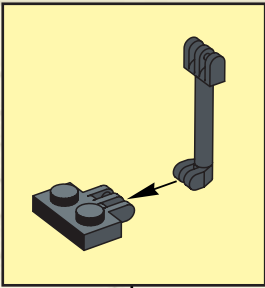
10



18 ft. 9 in.

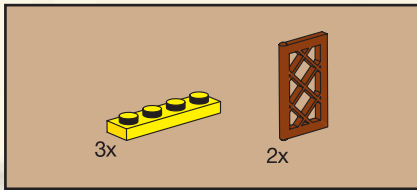


11

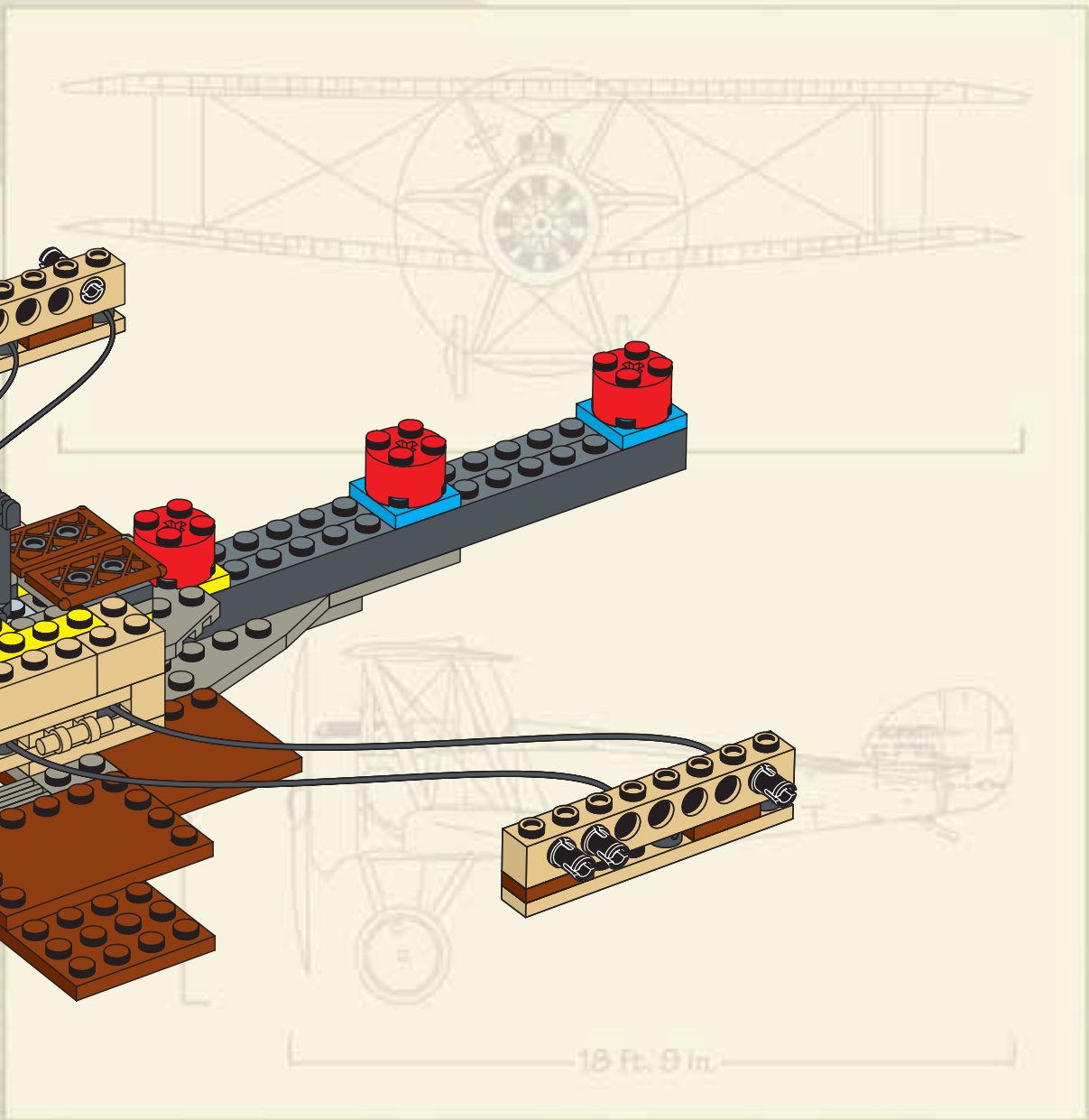
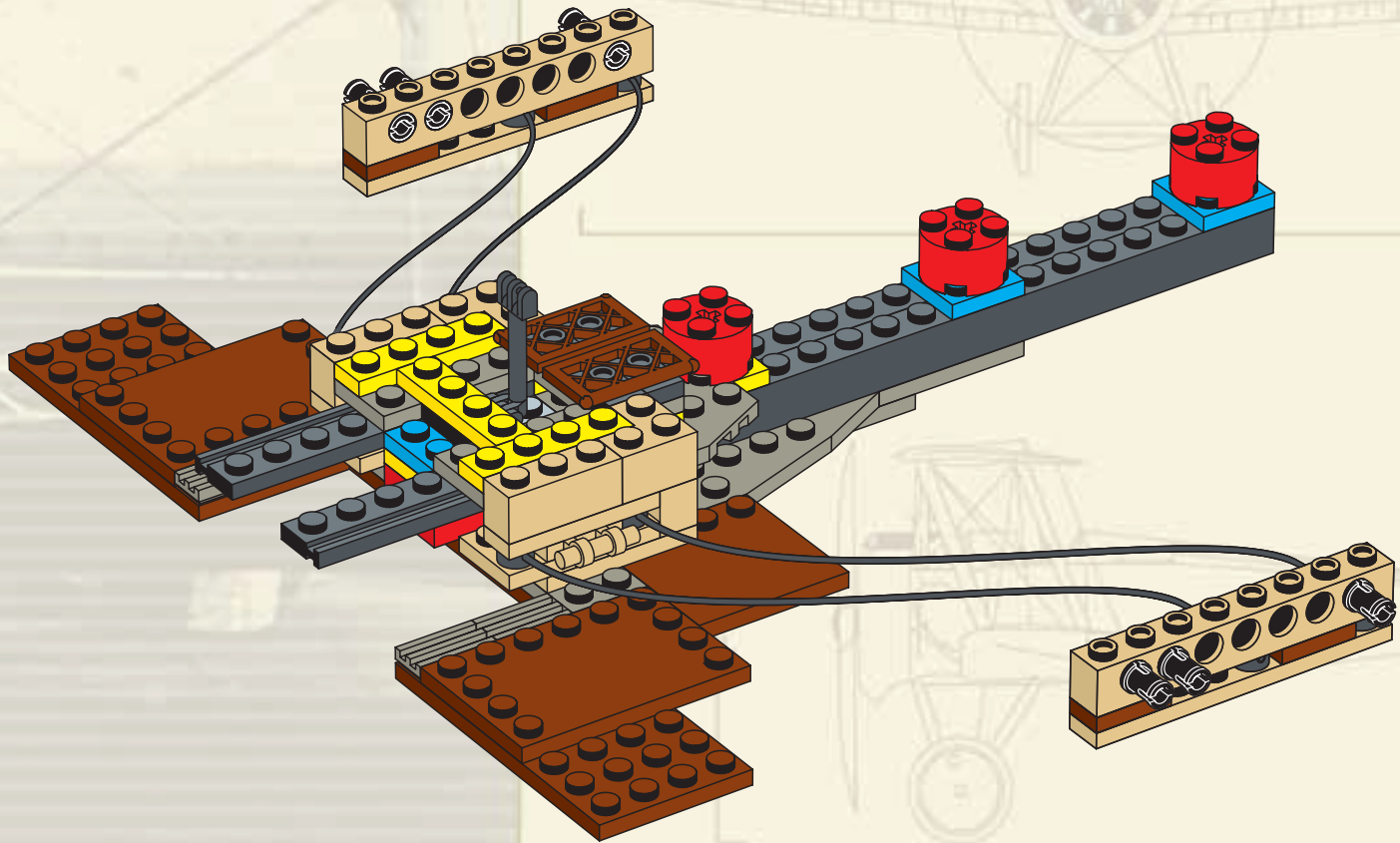


Wing area: 231.09 square ft.
 Empty weight: 929 lbs
 Max weight: 1,453 lbs

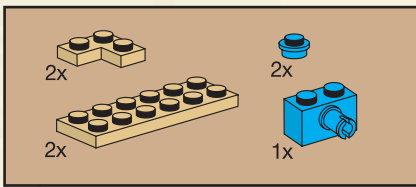
Engine power: 130 hp
 Maximum speed: 115 mph at 6,500 ft.
 Service ceiling: 19,000 ft.
 Endurance: 2 hours 30 minutes



12

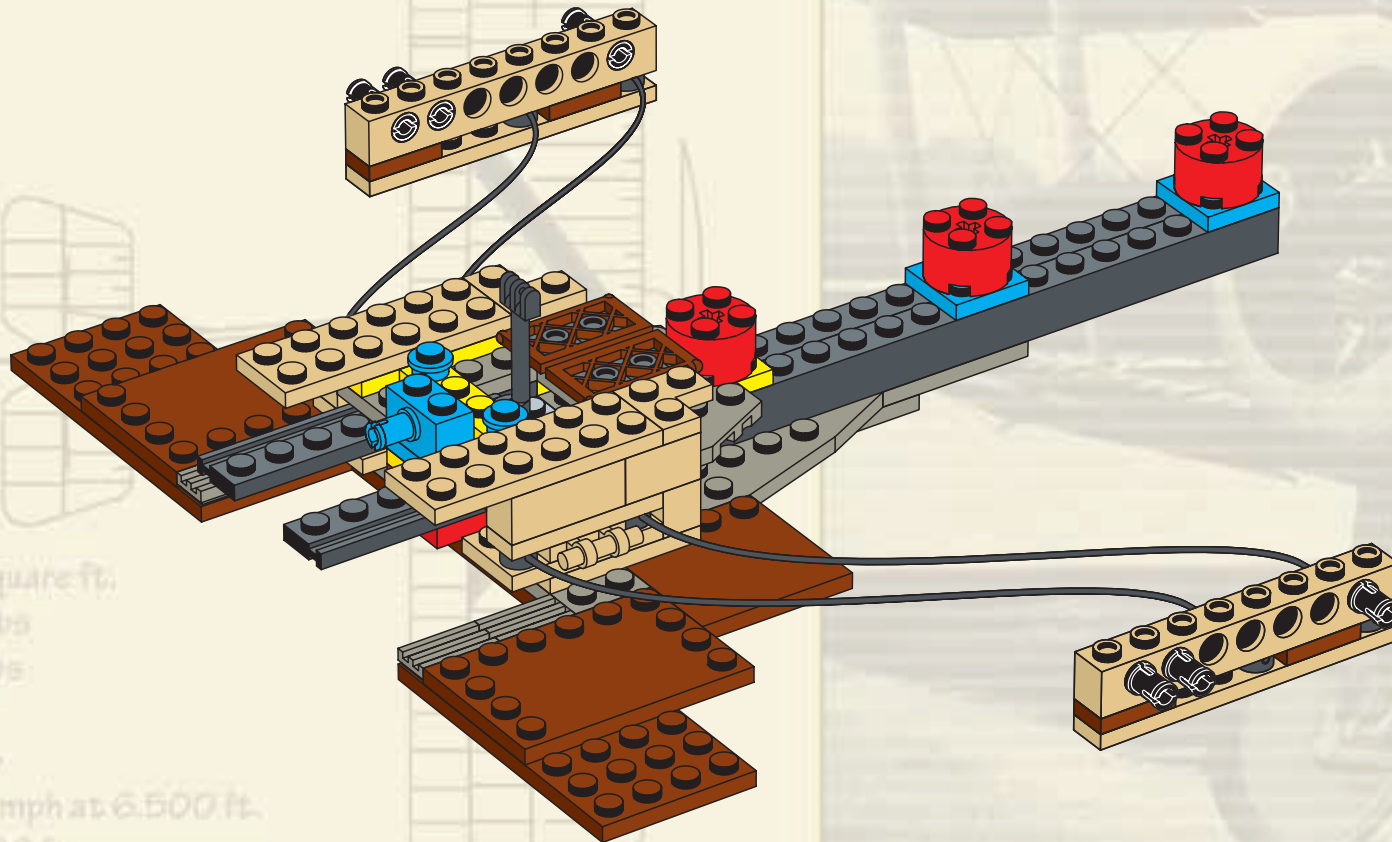


18 ft. 9 in.



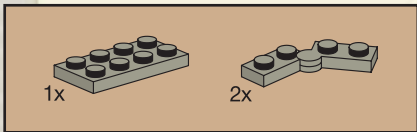
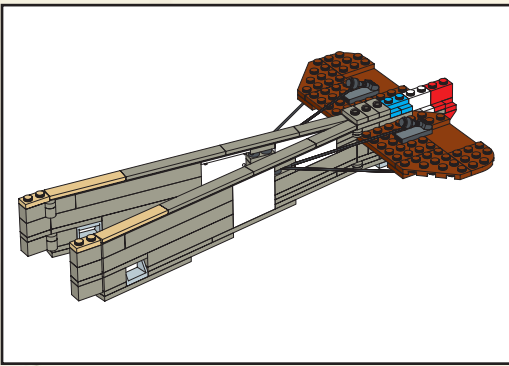
13

SOPWITH "CAMEL"



Wing area: 231.09 square ft.
 Empty weight: 929 lbs
 Max weight: 1,453 lbs

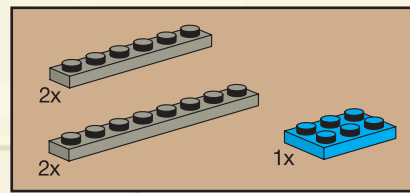
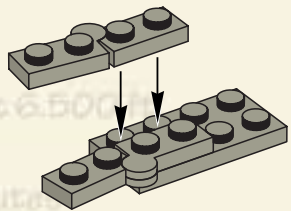
Engine power: 130 hp
 Maximum speed: 115 mph at 6,500 ft.
 Service ceiling: 19,000 ft.
 Endurance: 2 hours 30 minutes



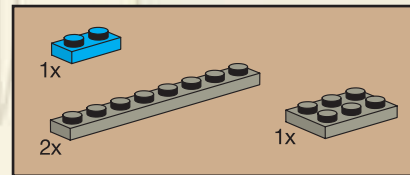
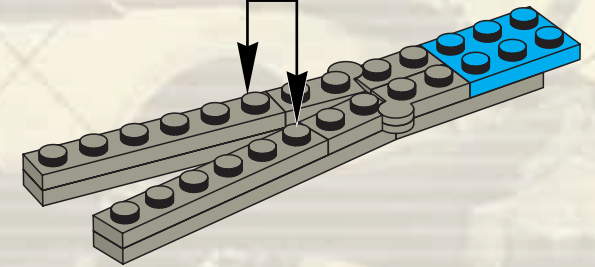
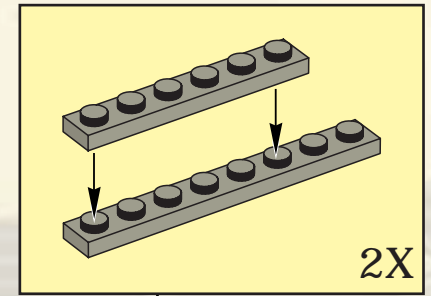
1

Wing area: 231.09 square ft.
 Empty weight: 929 lbs
 Max weight: 1,453 lbs

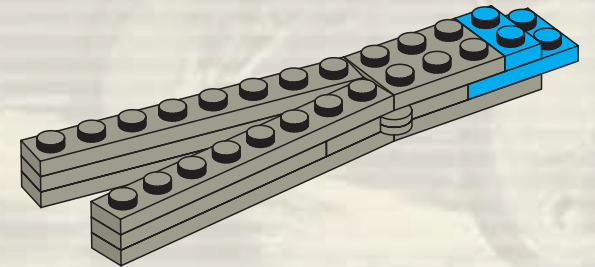
Engine power: 130 hp
 Maximum speed: 115 mph at 6,500
 Service ceiling: 19,000 ft.
 Endurance: 2 hours 30 minutes

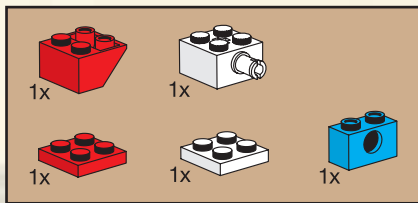


2

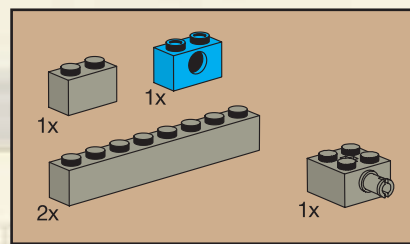
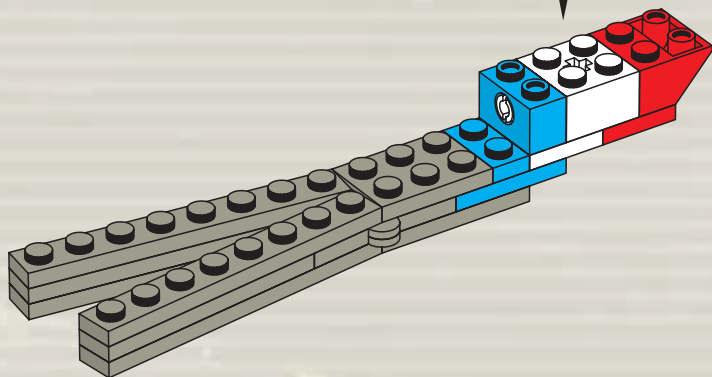
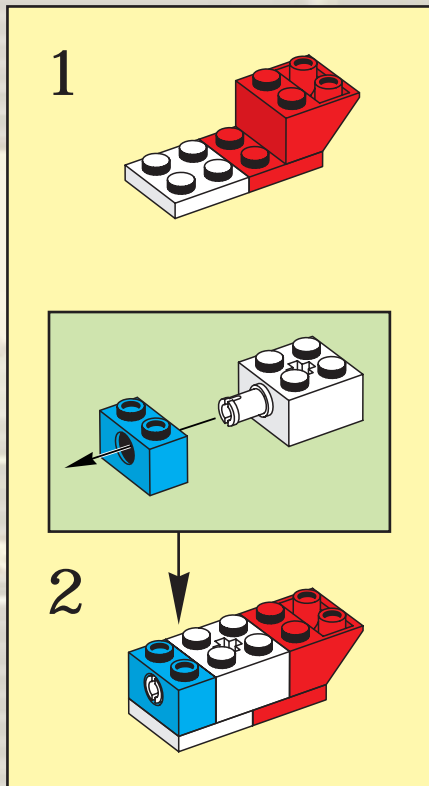


3

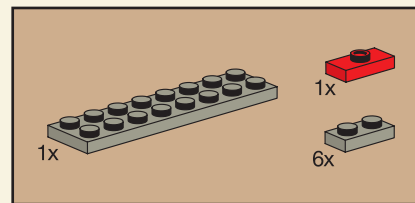
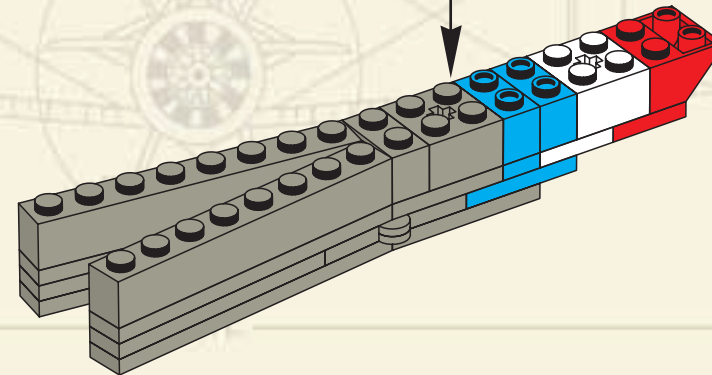




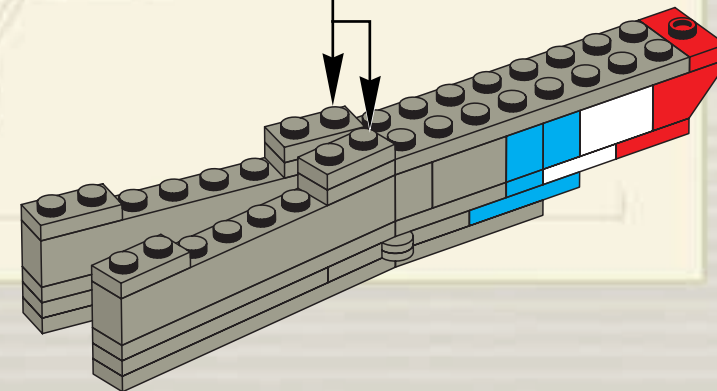
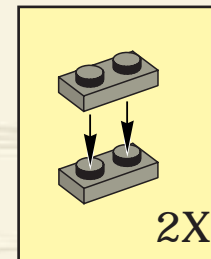
4

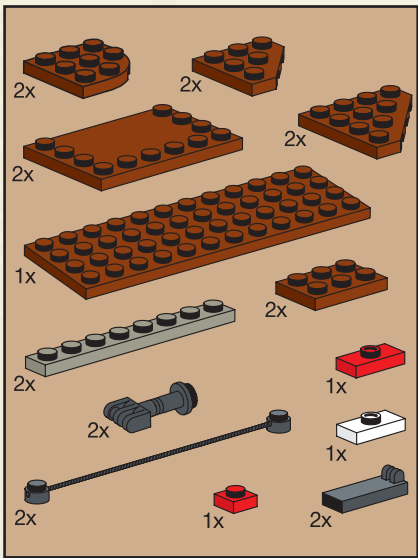


5



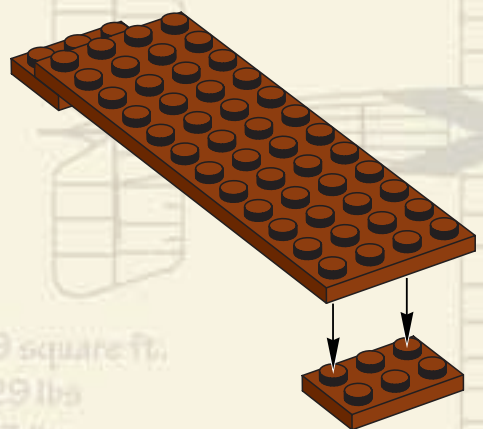
6



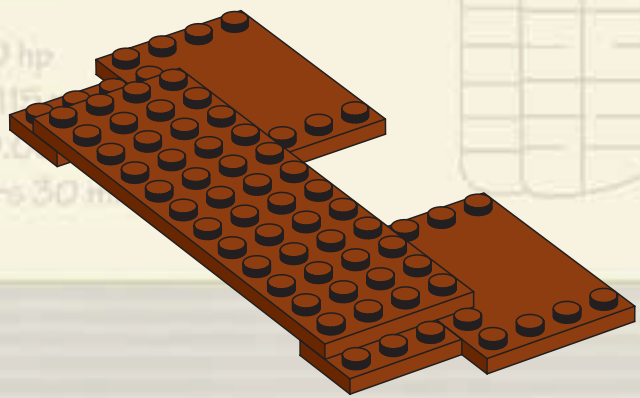


7

1



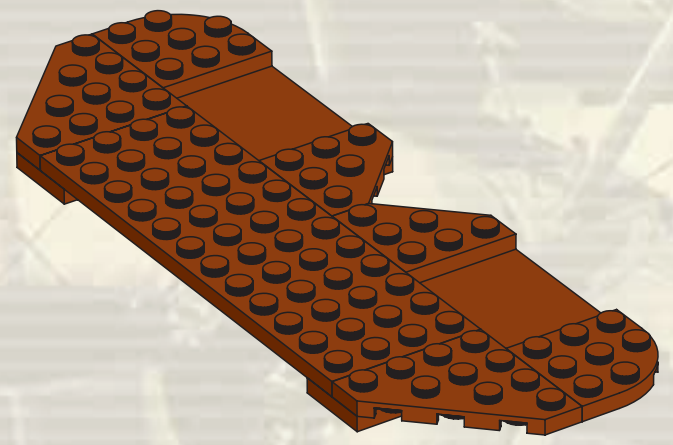
2



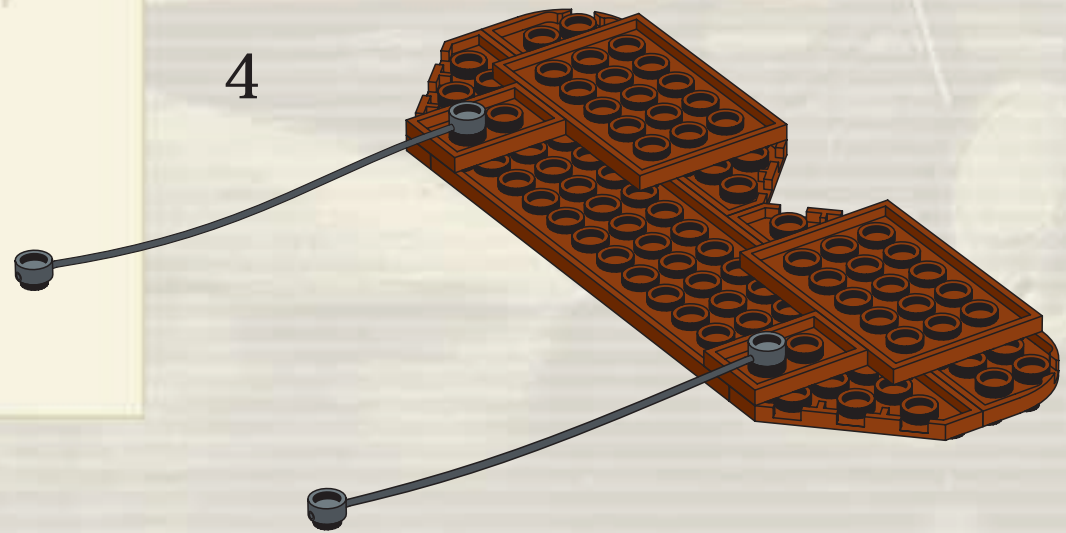
Wing area: 231.09 square ft.
 Empty weight: 929 lbs
 Max weight: 1,453 lbs

Engine power: 30 hp
 Maximum speed: 115 mph
 Service ceiling: 19,500 ft
 Endurance: 2 hours 30 min

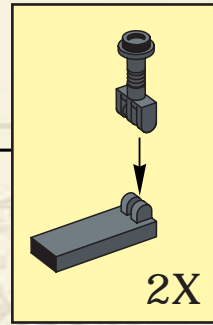
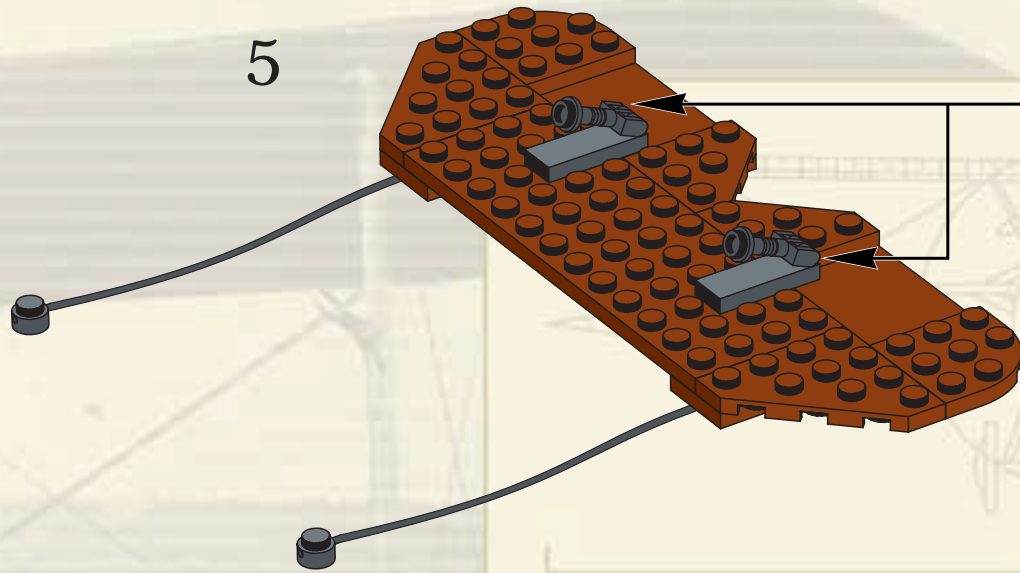
3



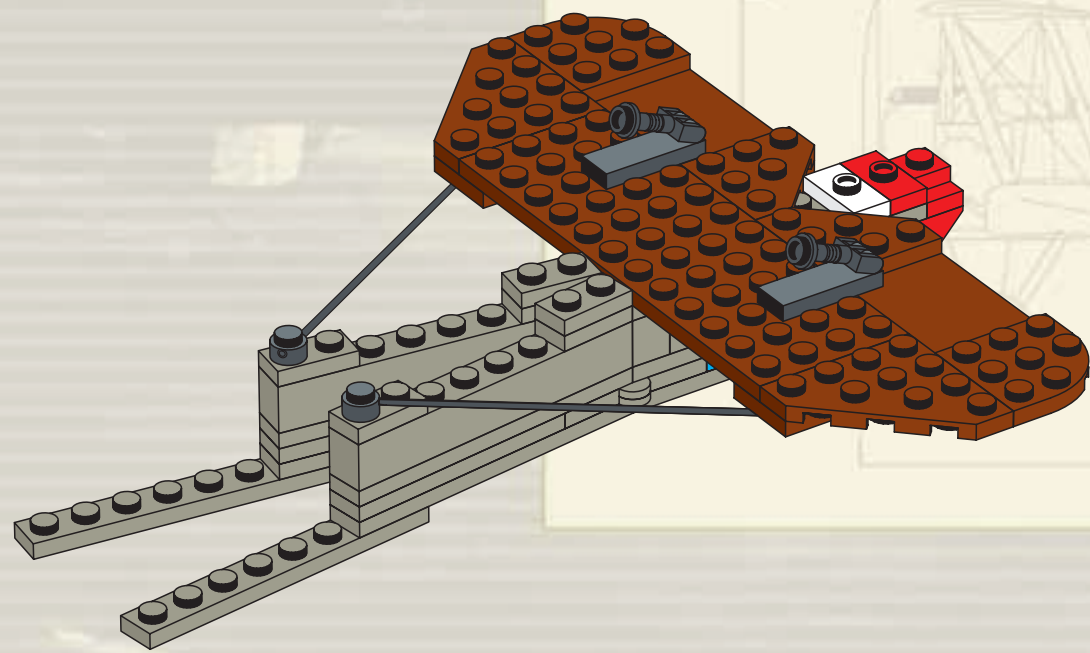
4



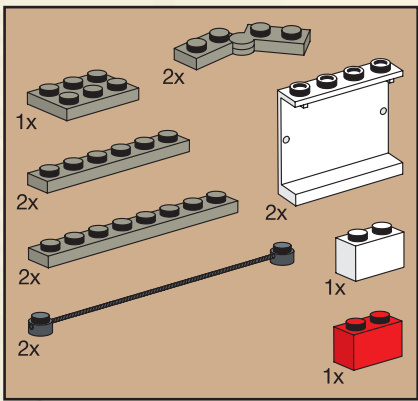
5



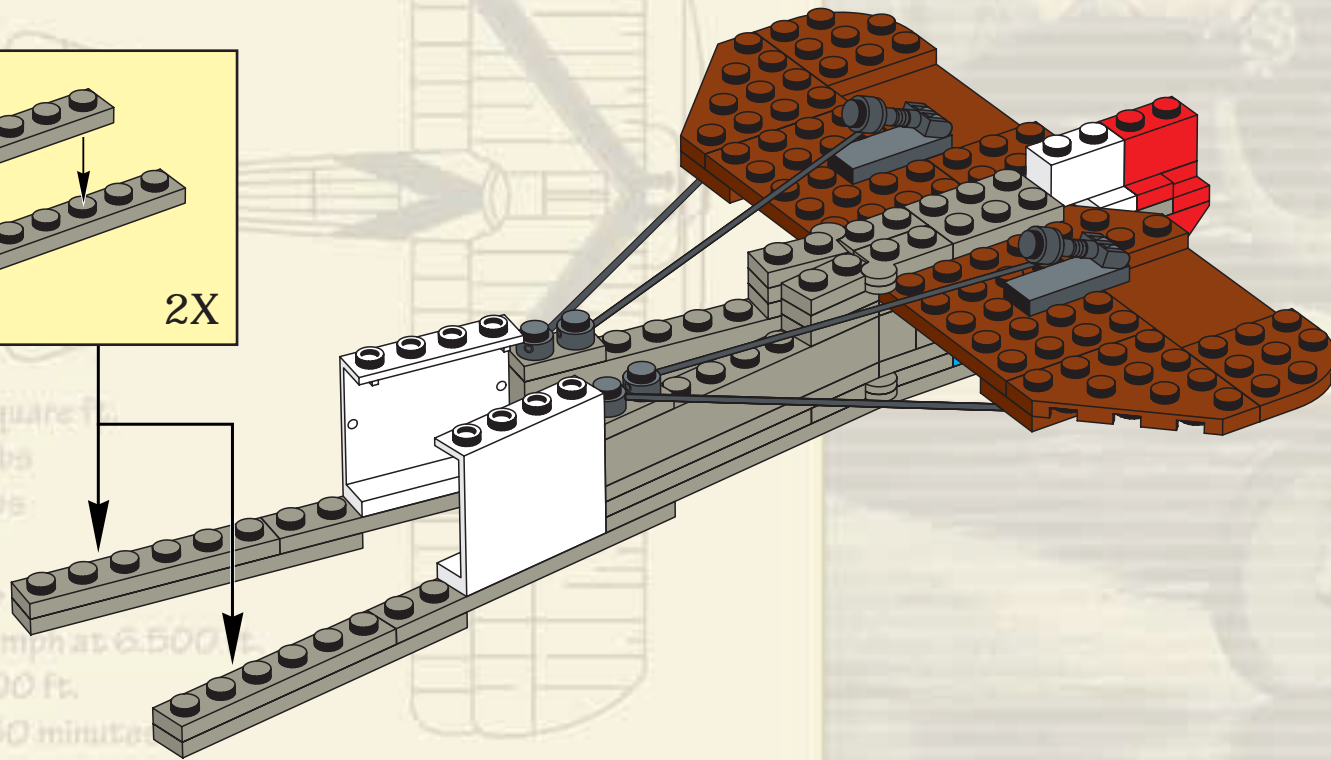
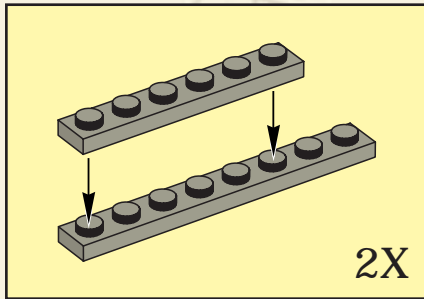
25 ft.



18 ft. 9 in.

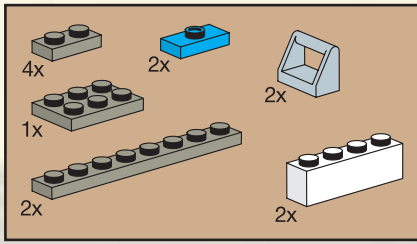


8

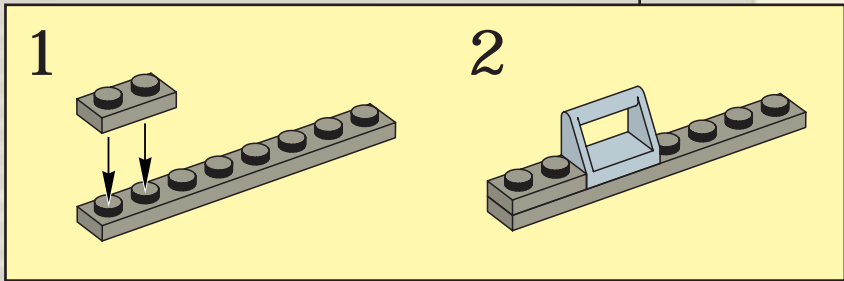
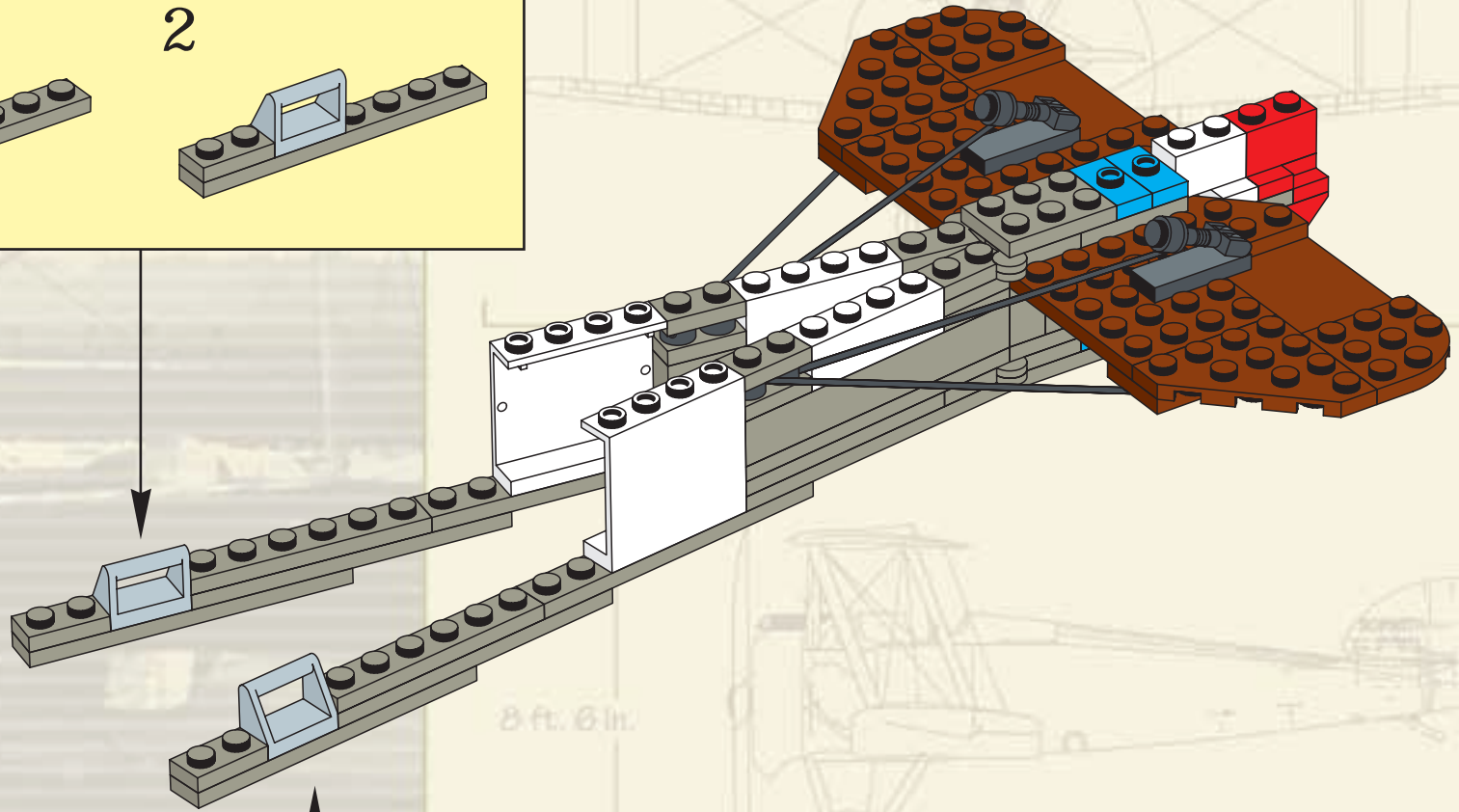
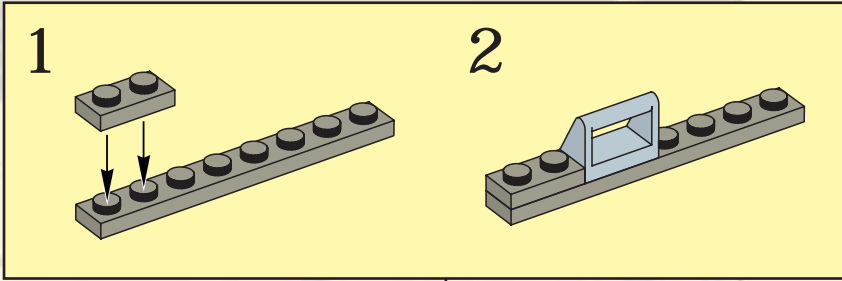


Wing area: 231.09 square ft
 Empty weight: 929 lbs
 Max weight: 1,453 lbs

Engine power: 130 hp
 Maximum speed: 115 mph at 6,500 ft
 Service ceiling: 19,000 ft
 Endurance: 2 hours 30 minutes

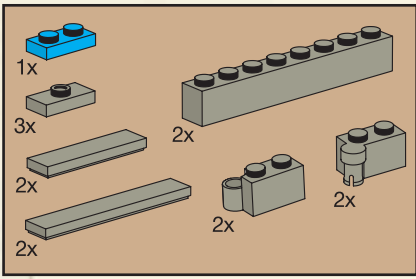


9

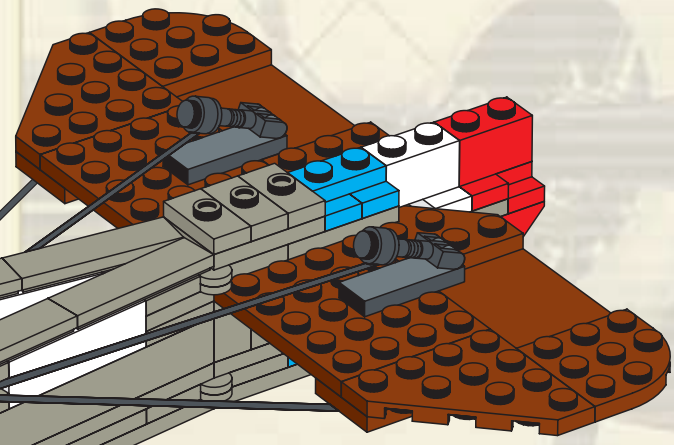
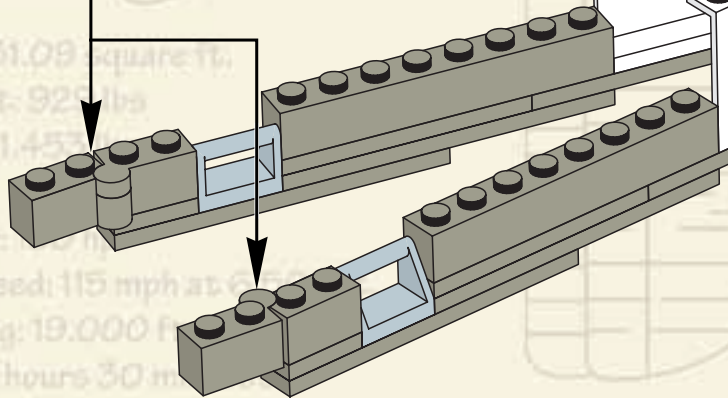
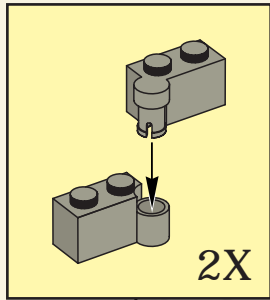


8 ft. 6 in.

18 ft. 9 in.

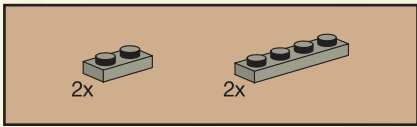


10

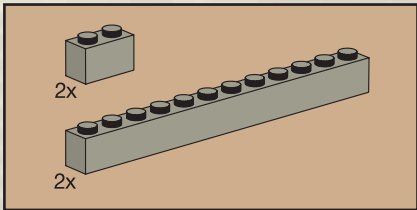
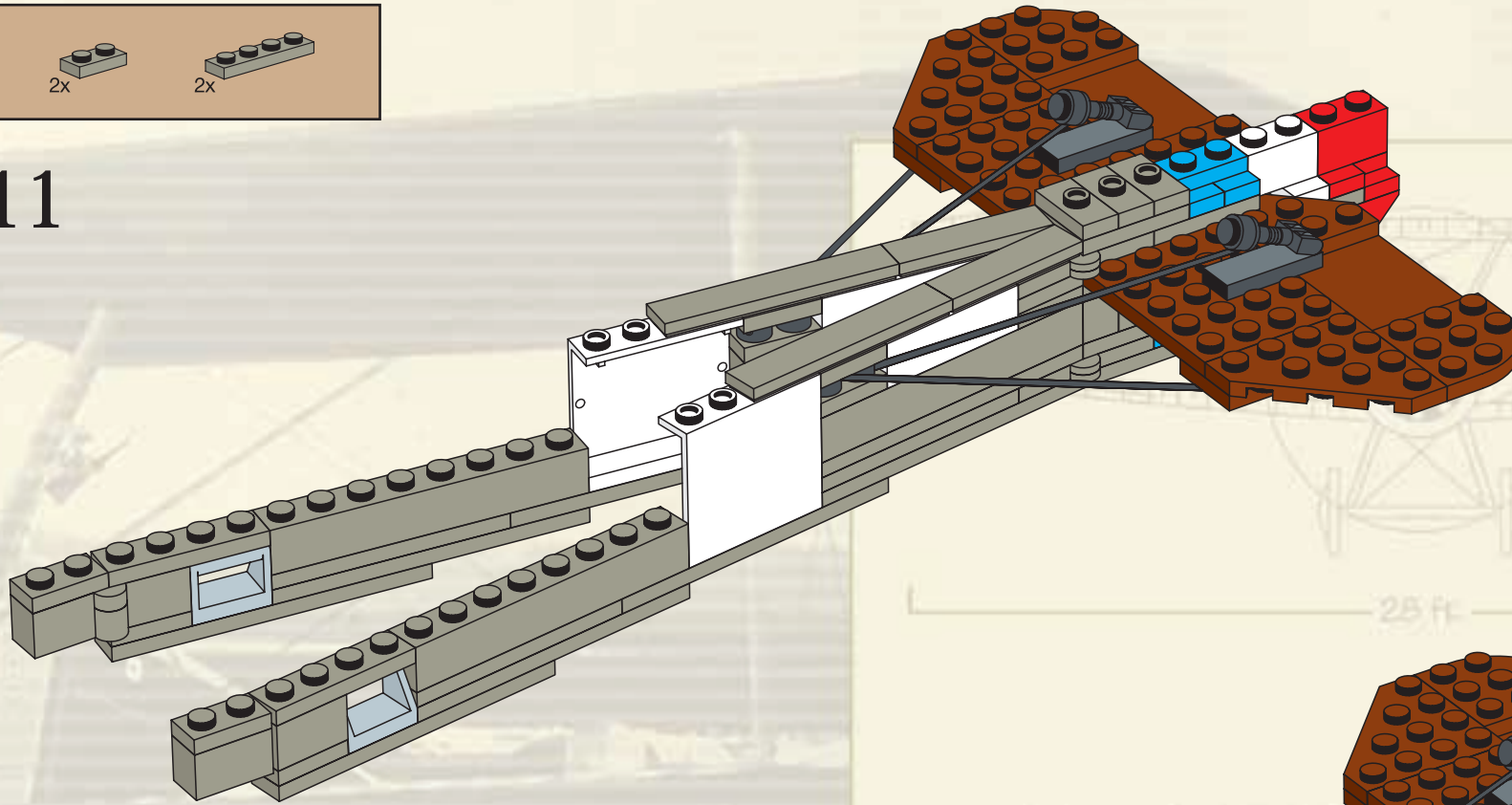


Wing area: 231.09 square ft.
 Empty weight: 92 lbs
 Max weight: 1,453 lbs

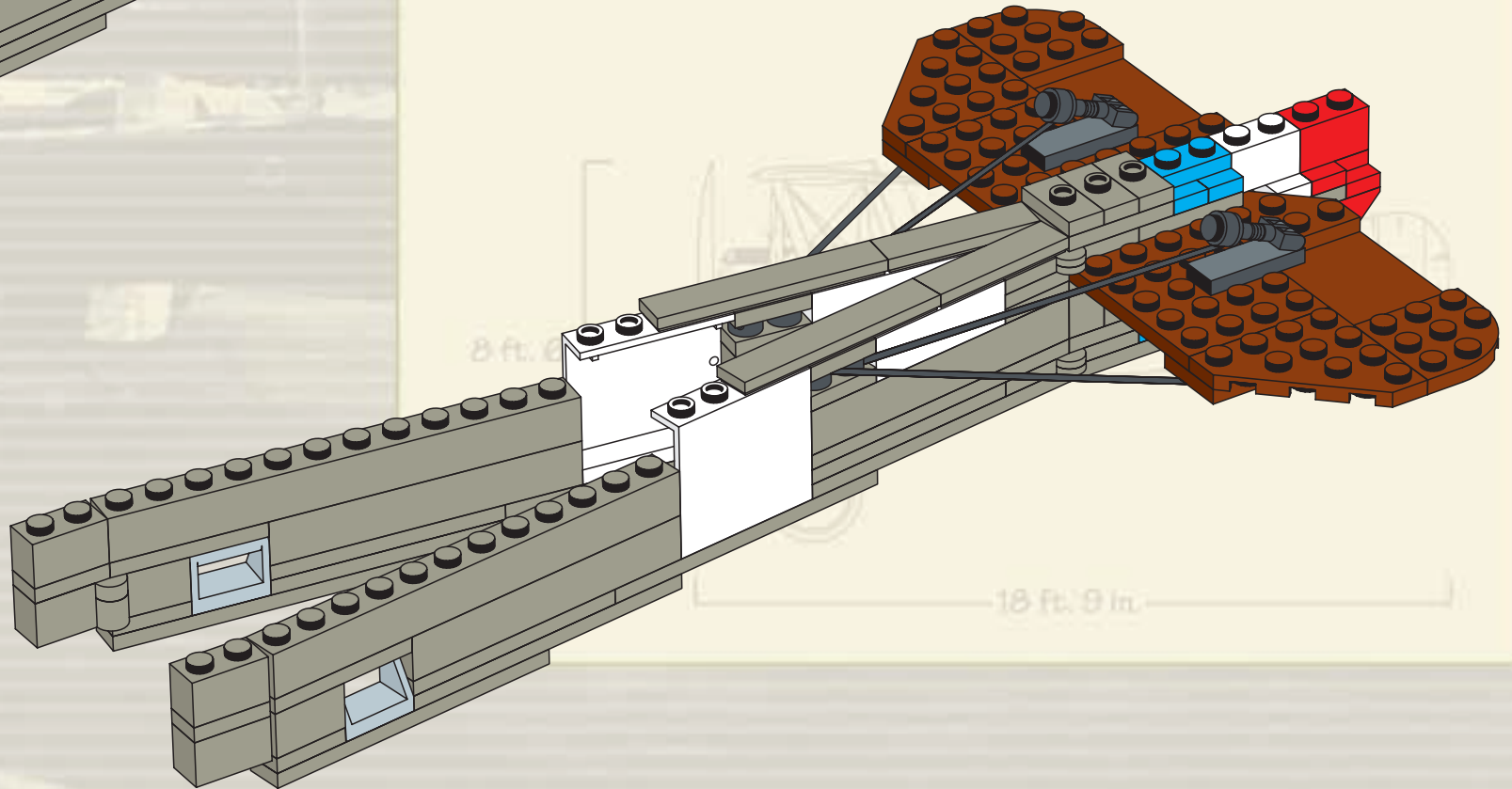
Engine power:
 Maximum speed: 115 mph at 6,000 rpm
 Service ceiling: 19,000 ft
 Endurance: 2 hours 30 min

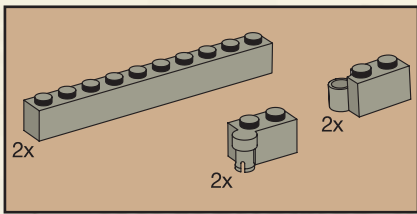


11

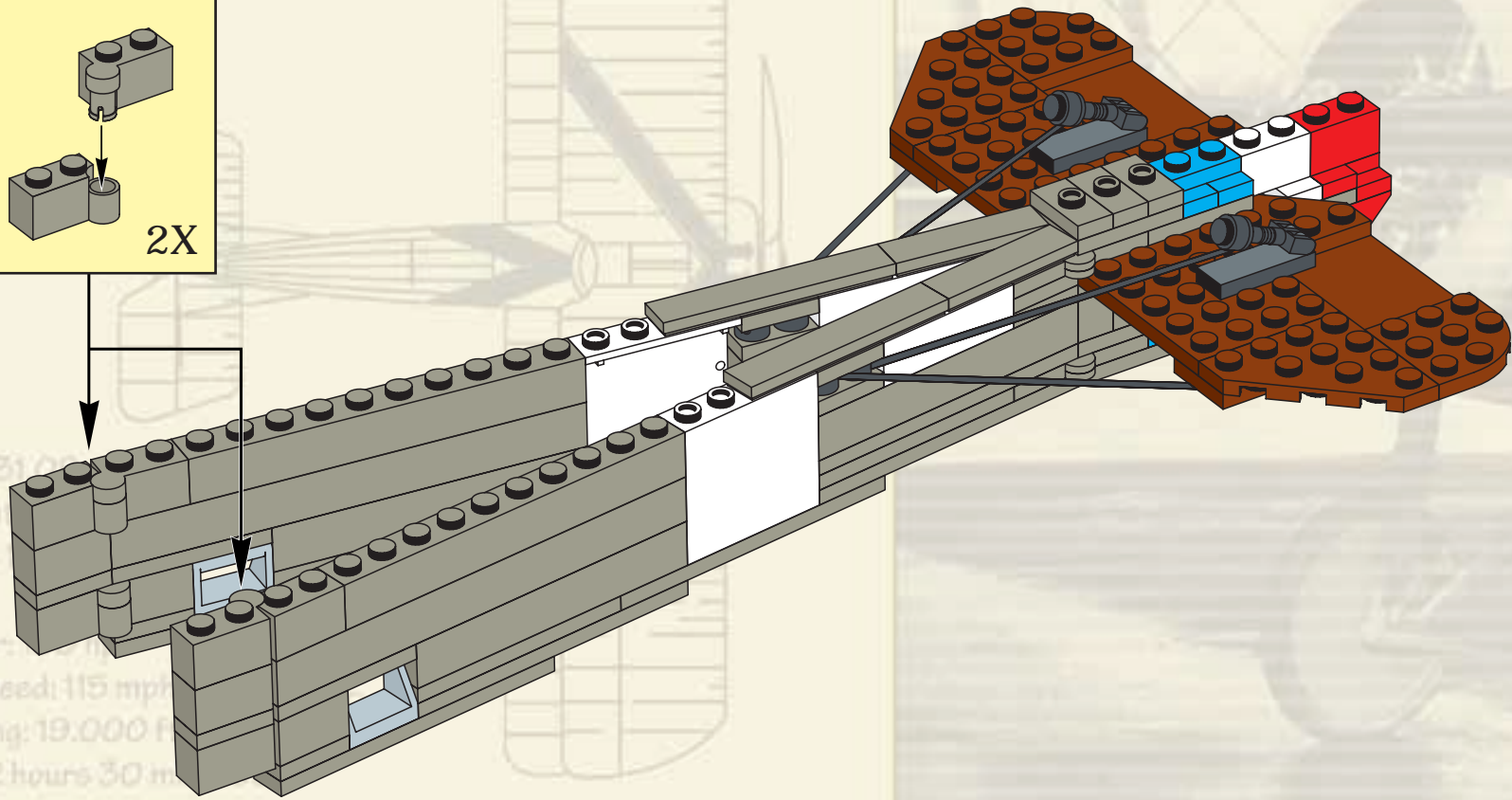
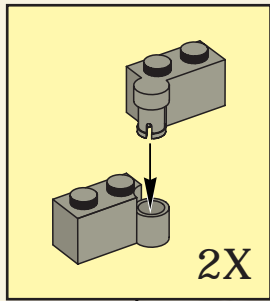


12

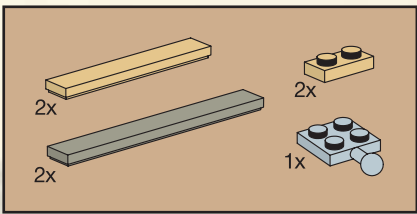




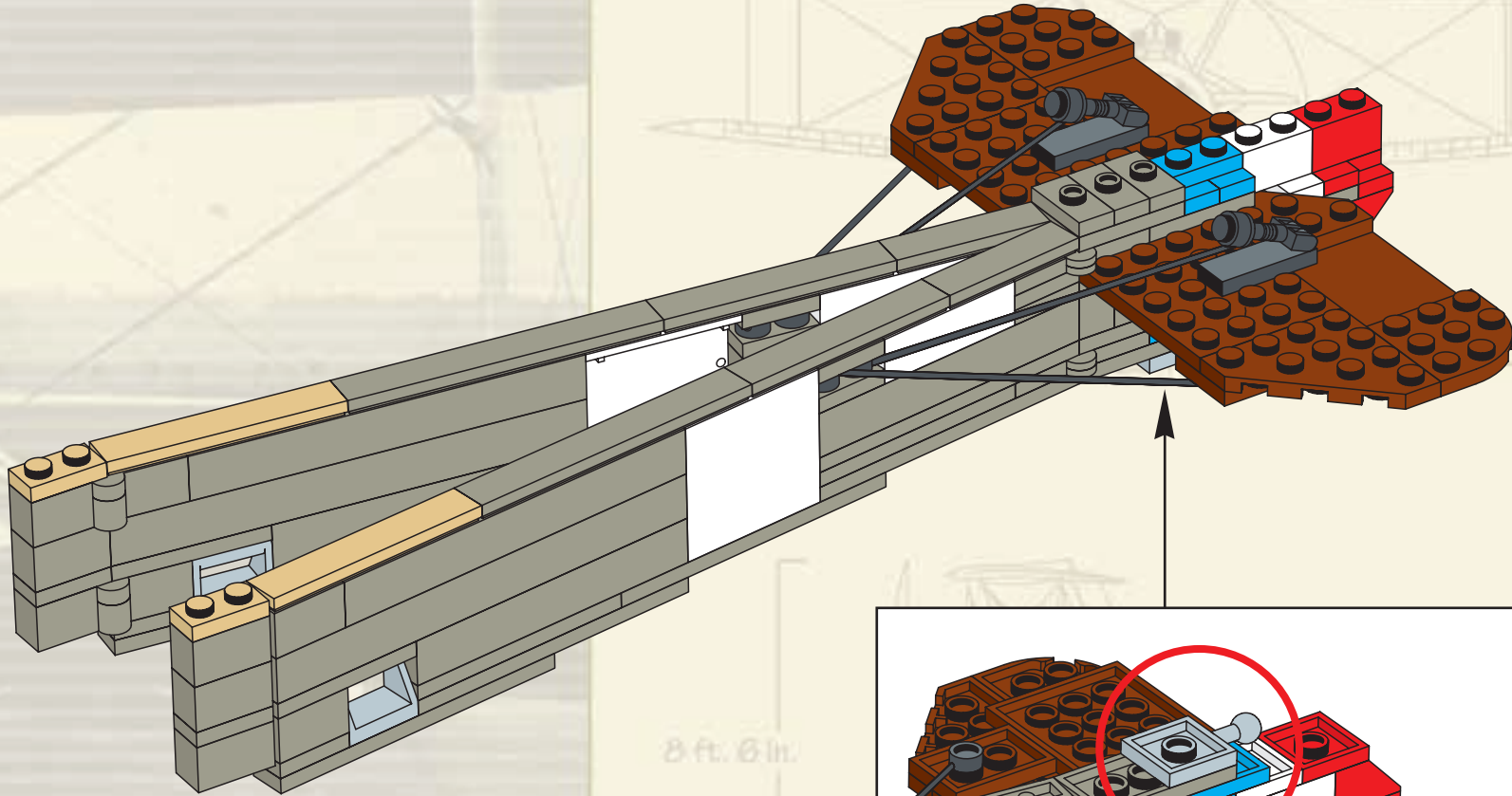
13



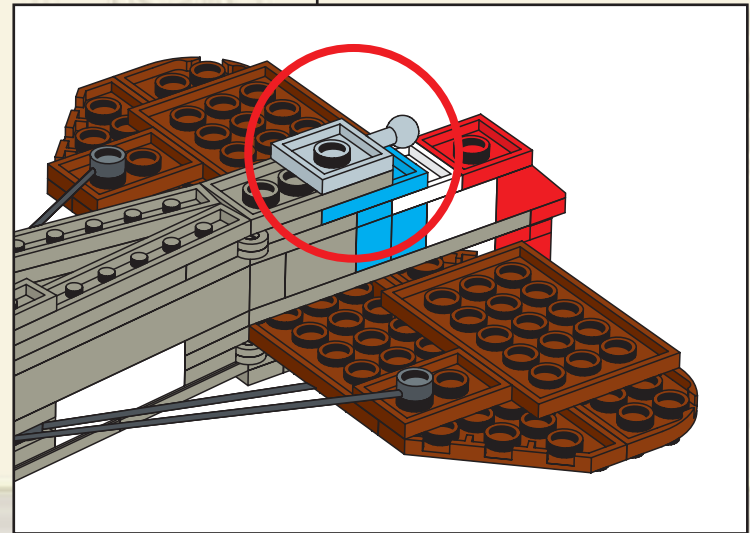
Wing area: 231.00 m²
 Empty weight: 1.200 kg
 Max weight: 1.800 kg
 Engine power: 100 hp
 Maximum speed: 115 mph
 Service ceiling: 19.000 ft
 Endurance: 2 hours 30 min



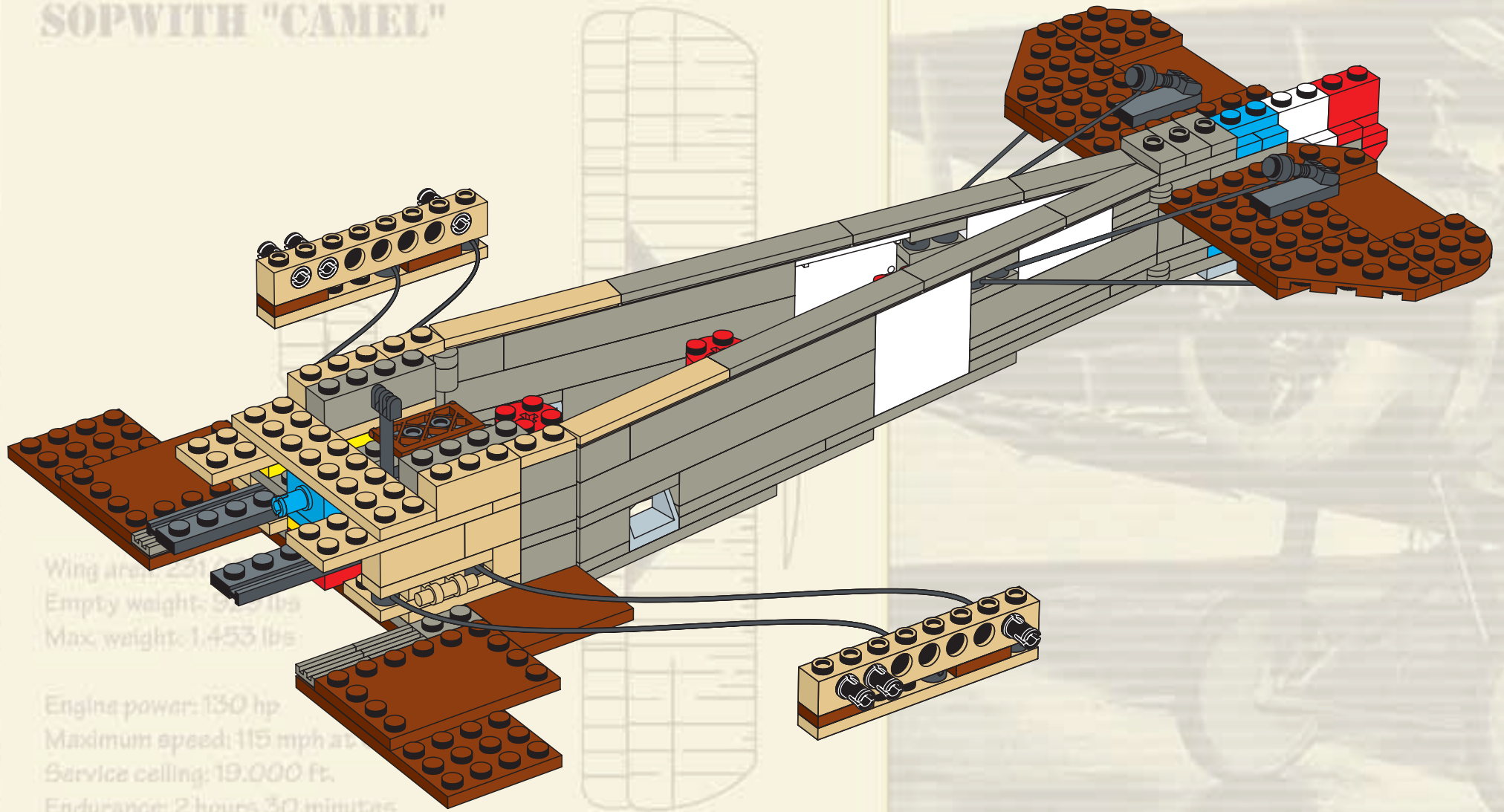
14



8 ft. 6 in.

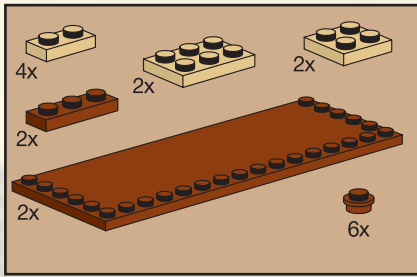


SOPWITH "CAMEL"

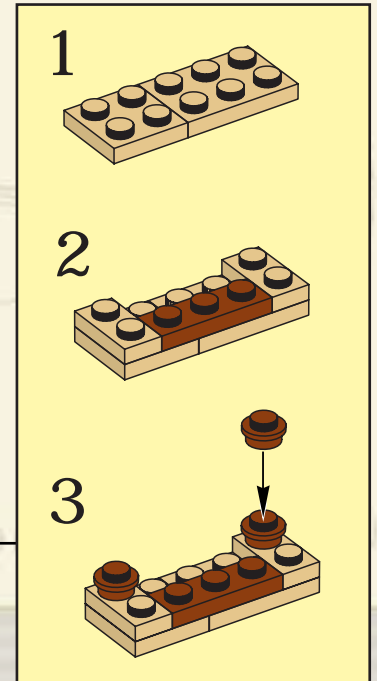
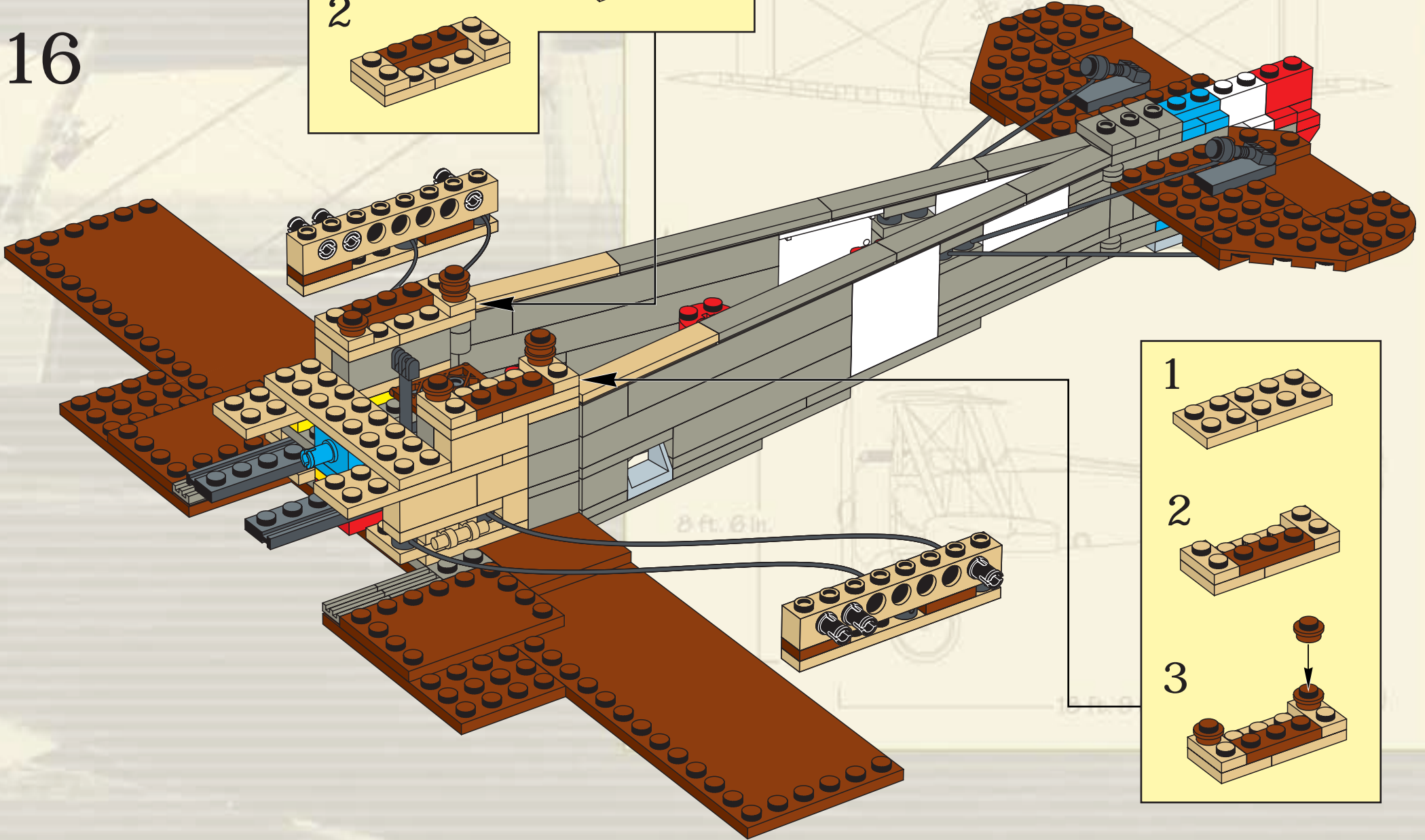
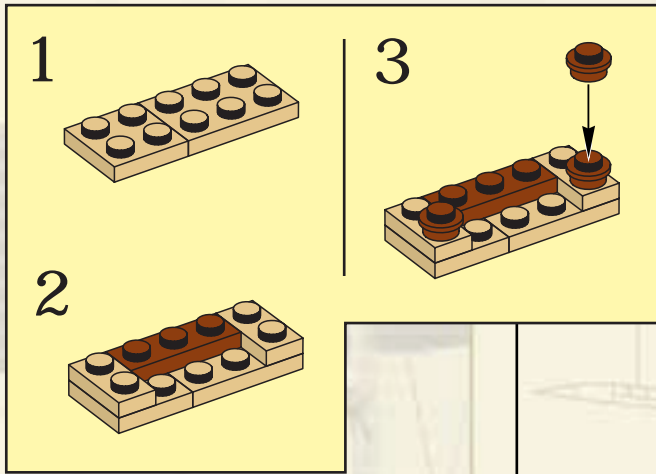


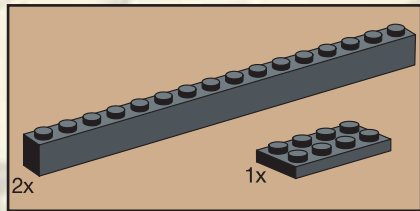
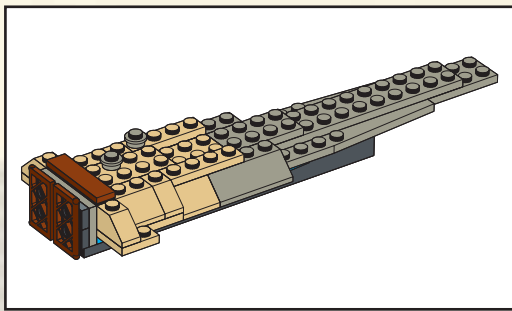
Wing area: 221 sq ft
 Empty weight: 900 lbs
 Max weight: 1,453 lbs

Engine power: 130 hp
 Maximum speed: 115 mph at 10,000 ft.
 Service ceiling: 19,000 ft.
 Endurance: 2 hours 30 minutes

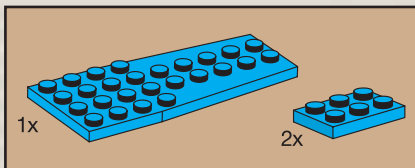
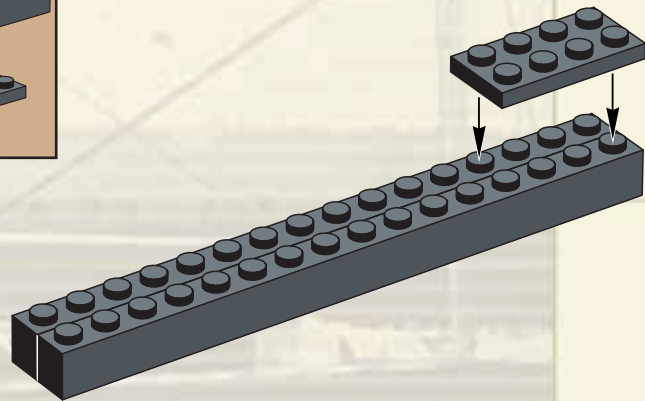


16

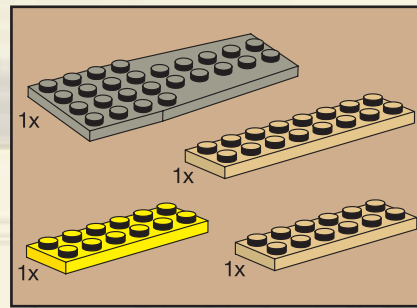
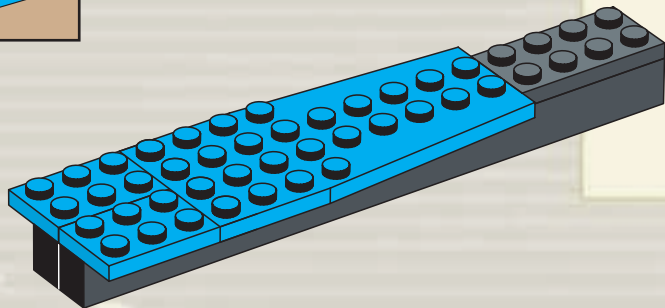




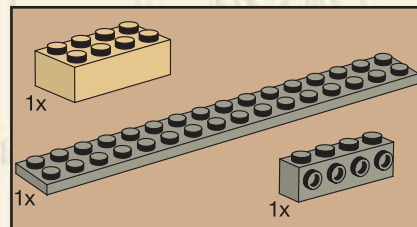
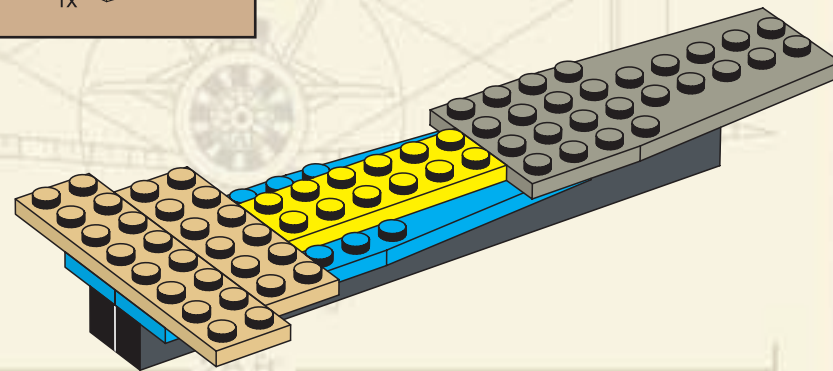
1



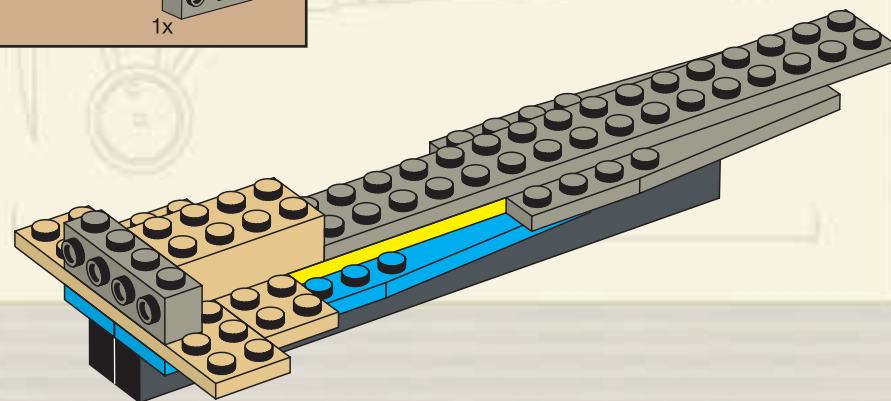
2

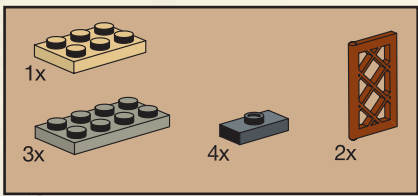


3



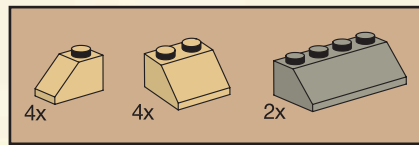
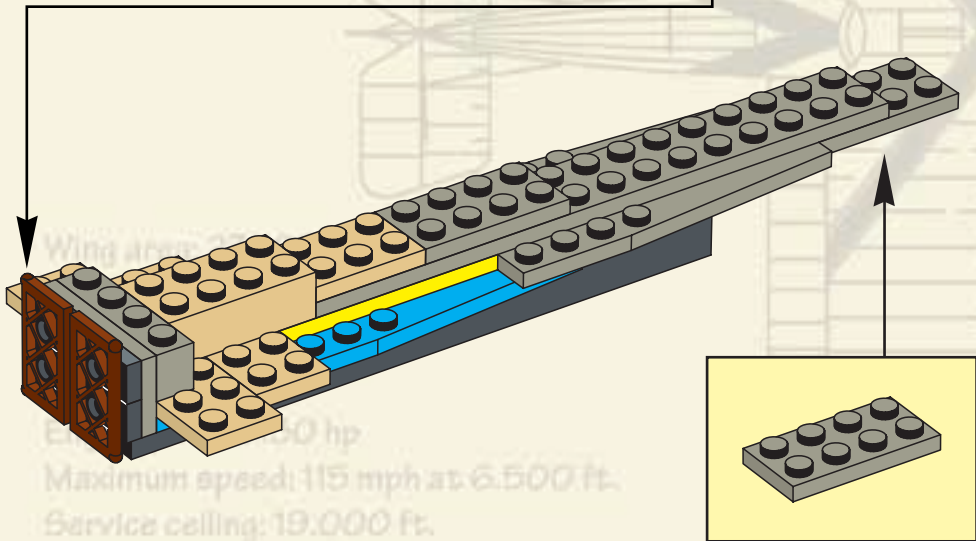
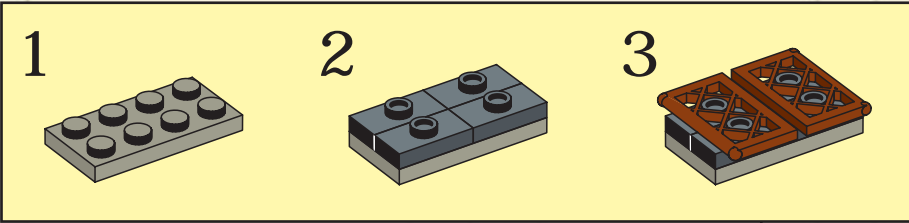
4



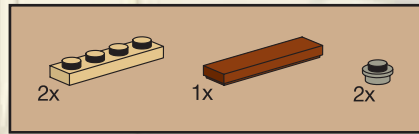
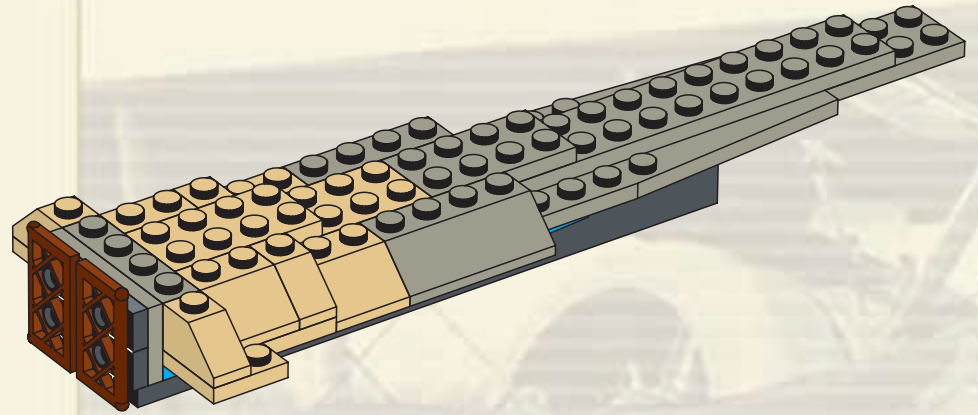


5

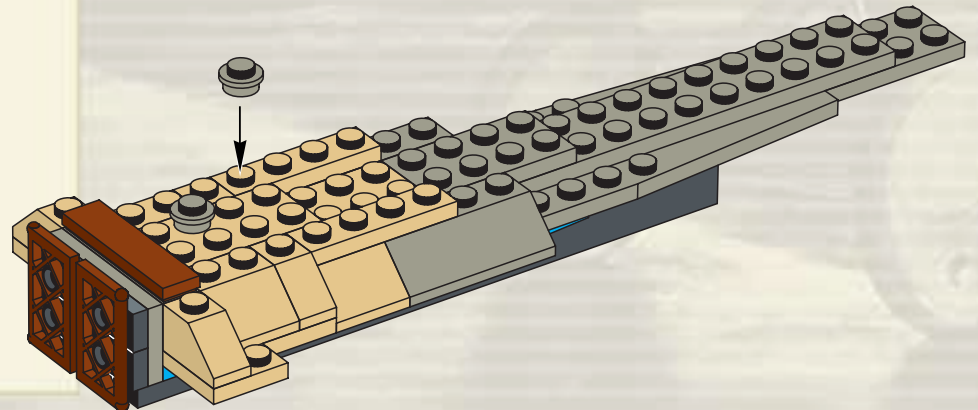
SOPWITH "CAMEL"



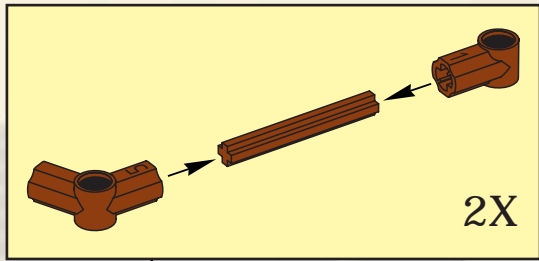
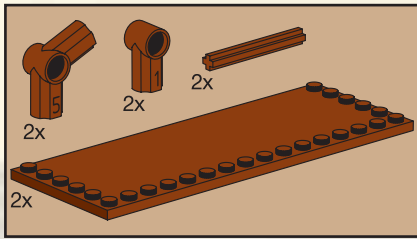
6



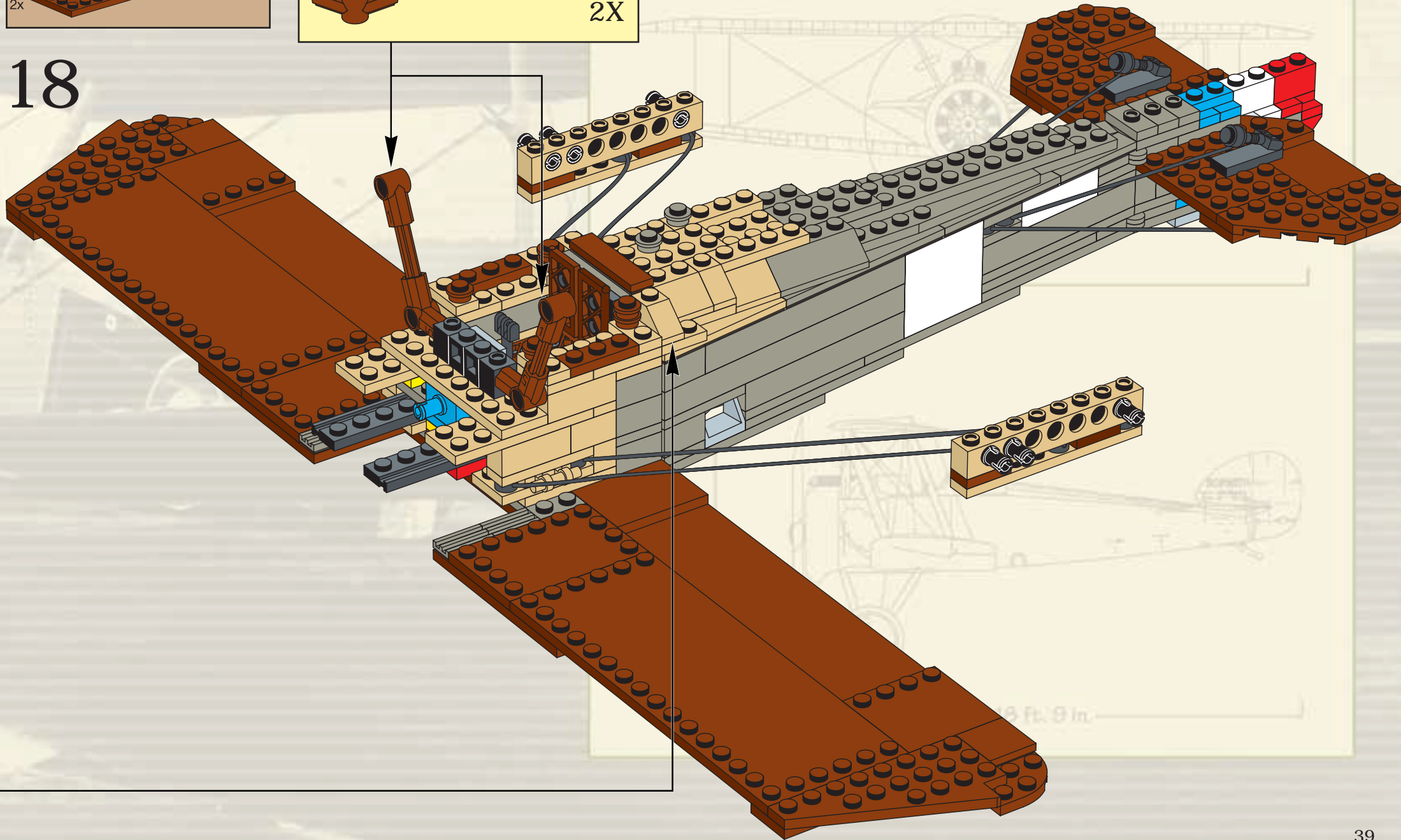
7

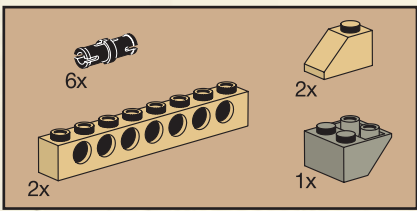


Engine: 150 hp
 Maximum speed: 115 mph at 6,500 ft.
 Service ceiling: 19,000 ft.
 Endurance: 2 hours 30 minutes

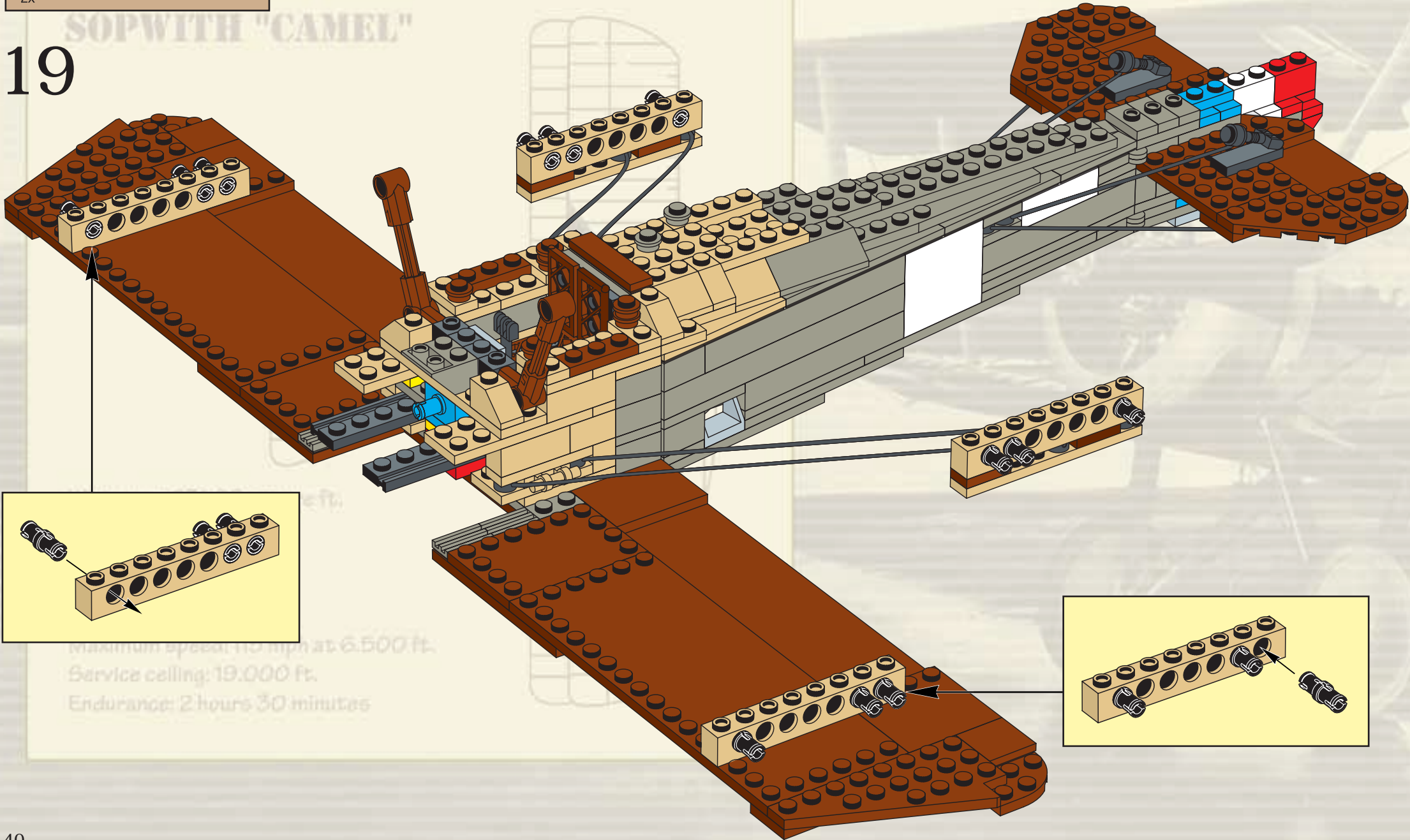


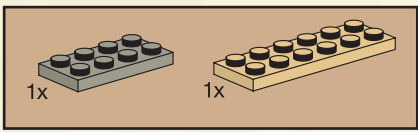
18



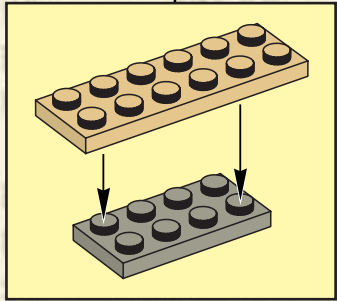
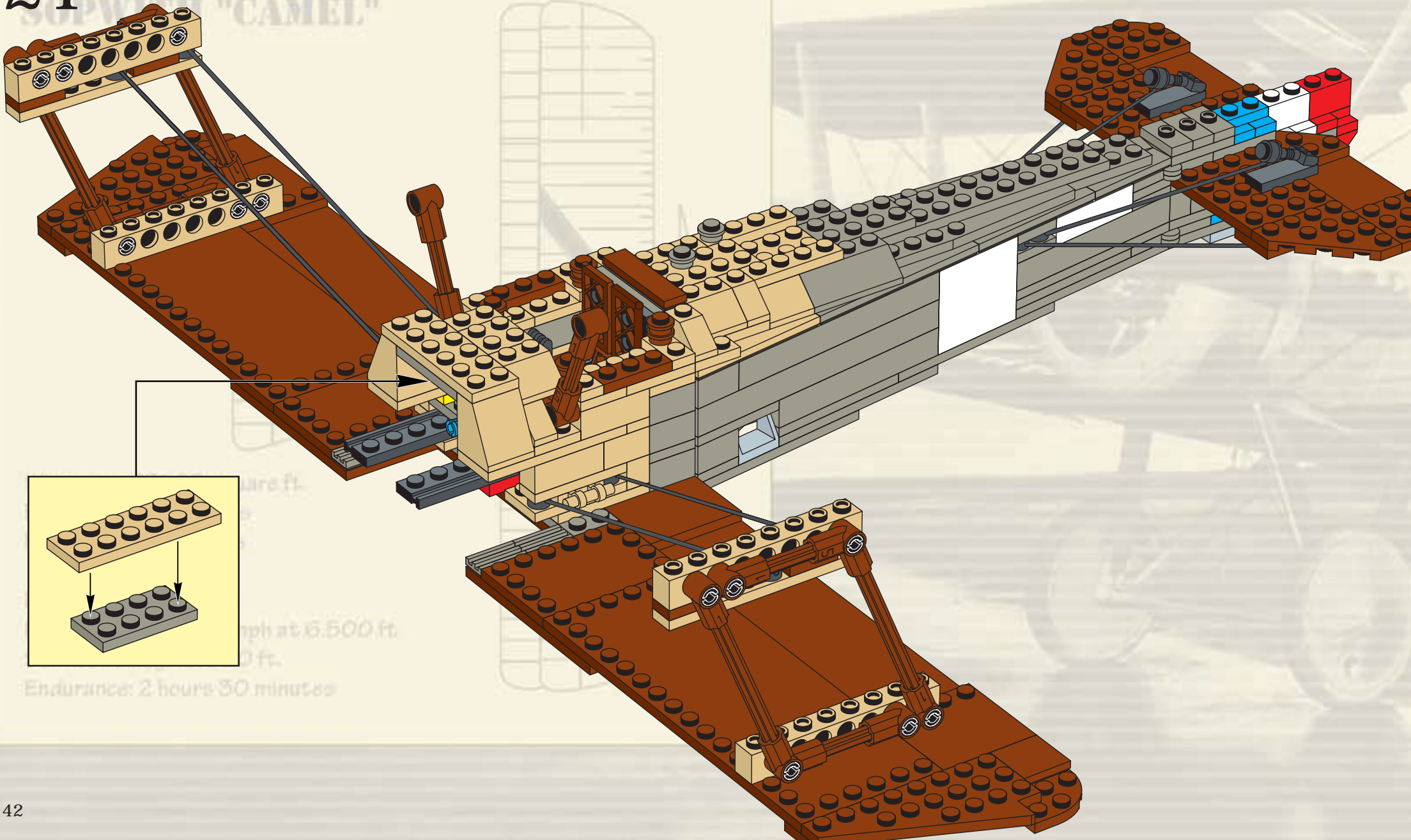


19

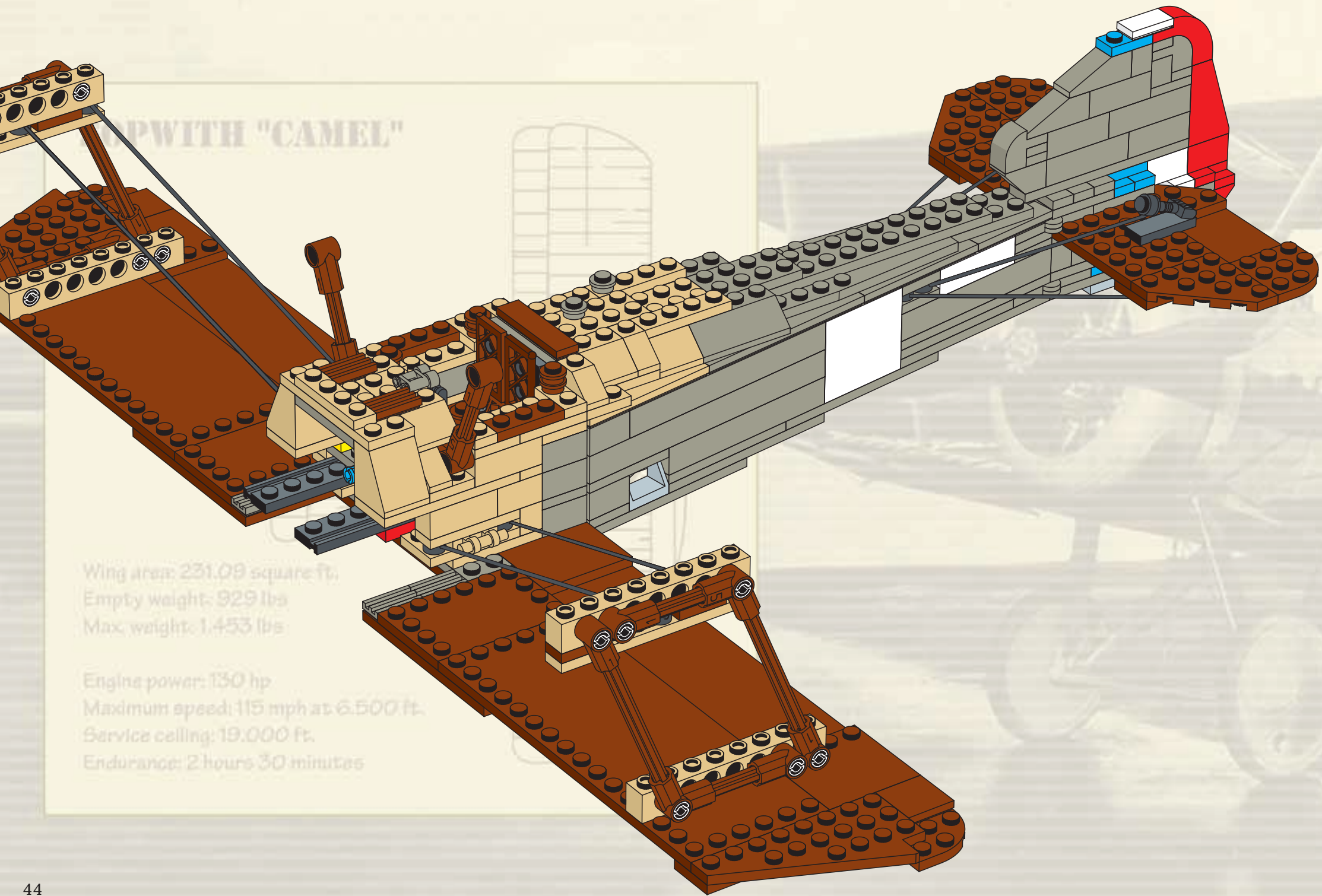




21

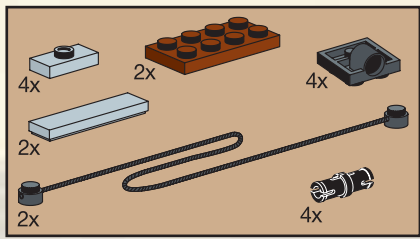


Endurance: 2 hours 30 minutes

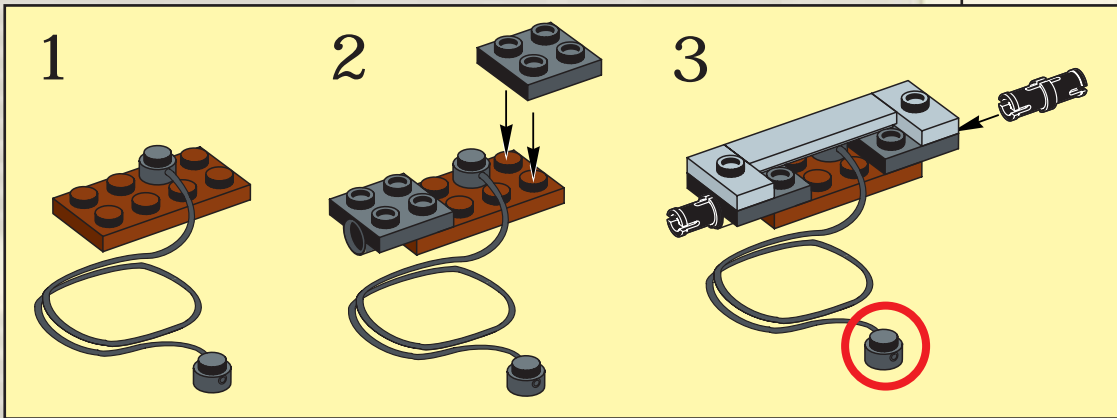
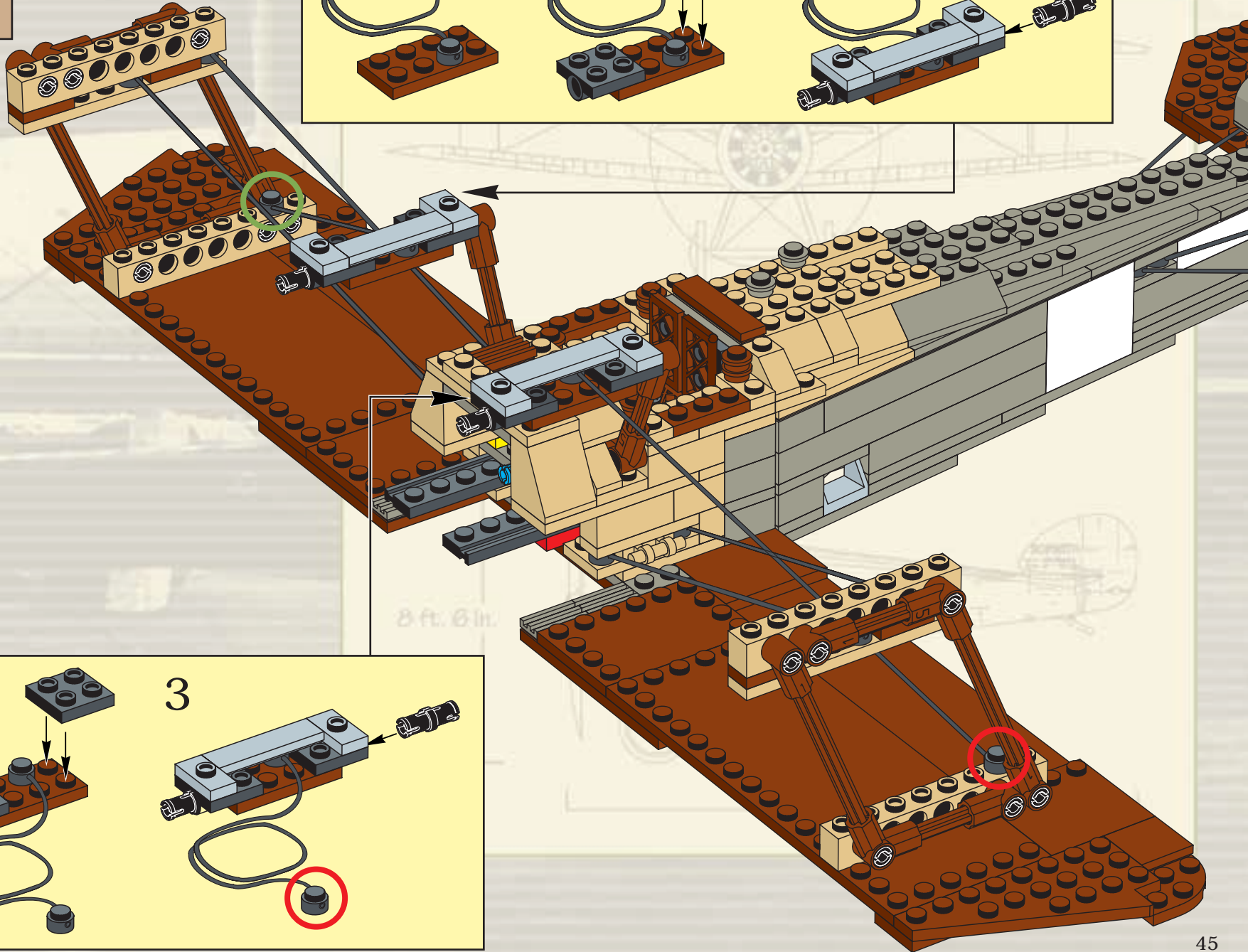
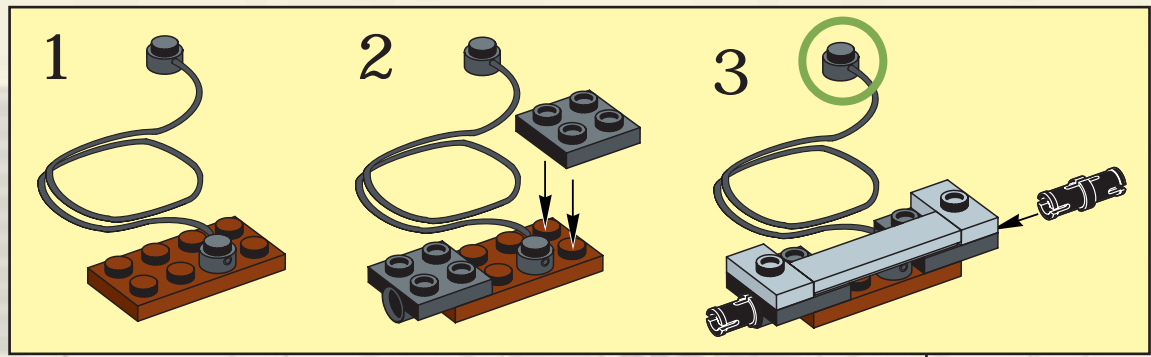


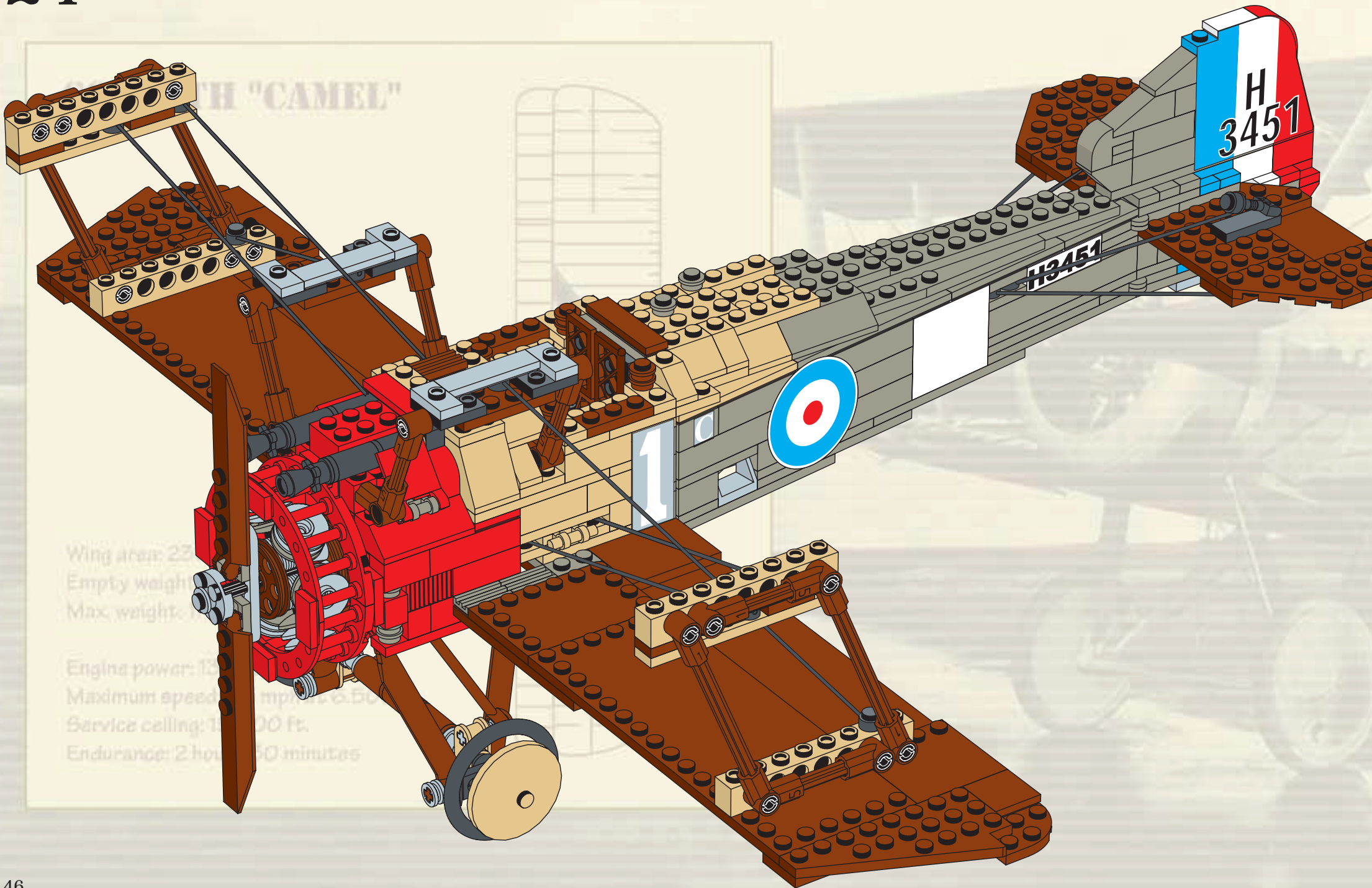
Wing area: 231.09 square ft.
Empty weight: 929 lbs
Max weight: 1,453 lbs

Engine power: 130 hp
Maximum speed: 115 mph at 6,500 ft.
Service ceiling: 19,000 ft.
Endurance: 2 hours 30 minutes



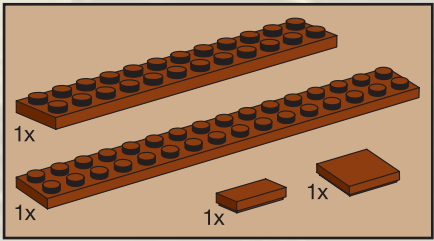
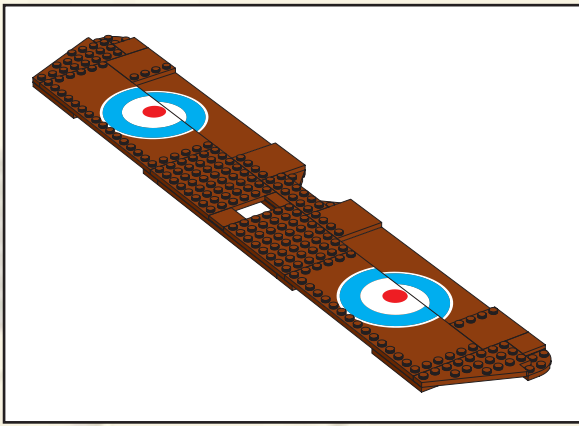
23



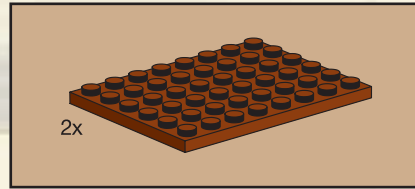
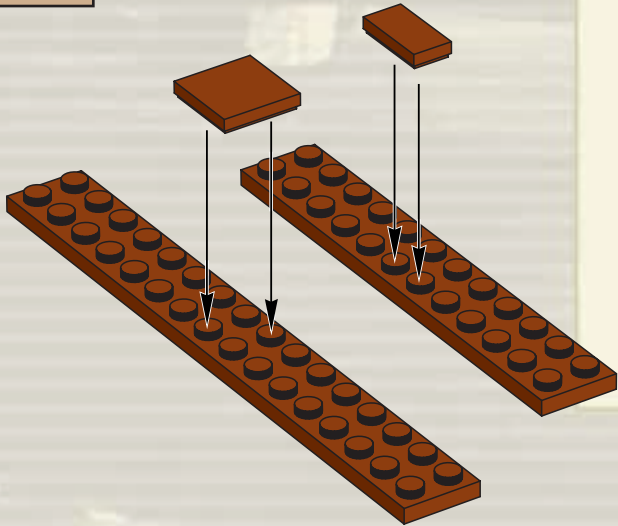


"CAMEL"

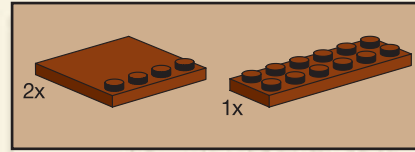
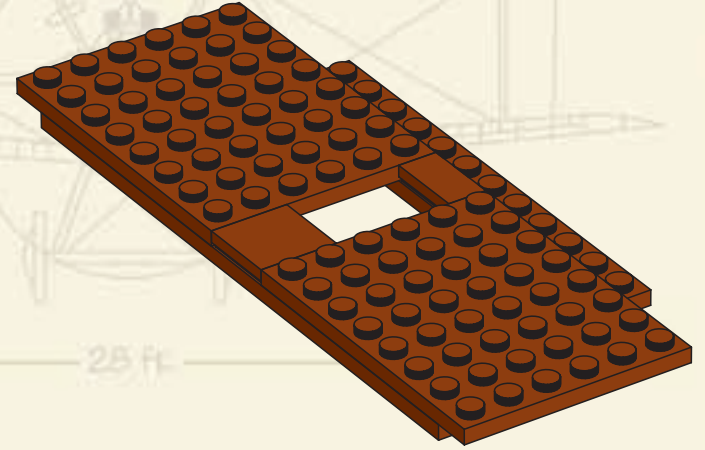
Wing area: 22
Empty weight:
Max weight:
Engine power: 13
Maximum speed: 110 mph (177 km/h)
Service ceiling: 11,000 ft.
Endurance: 2 hours 30 minutes



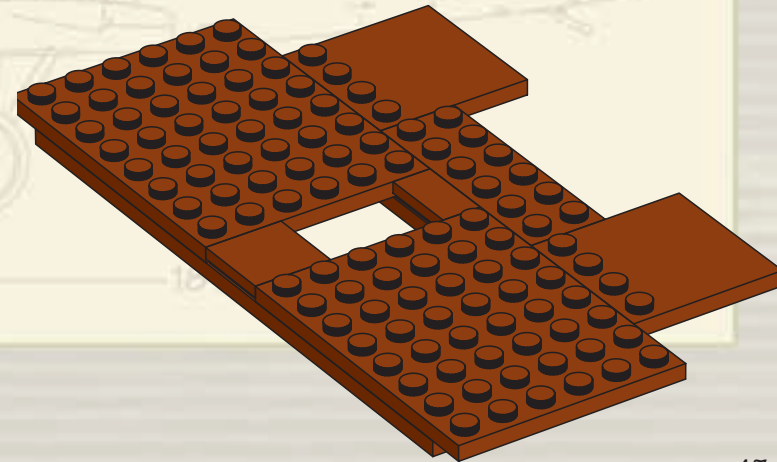
1

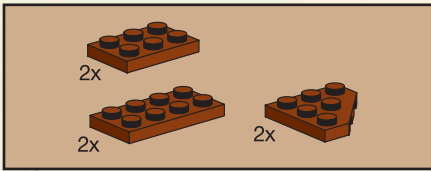


2



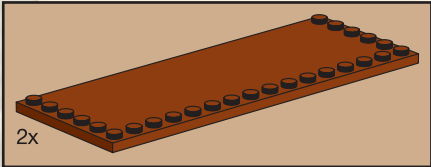
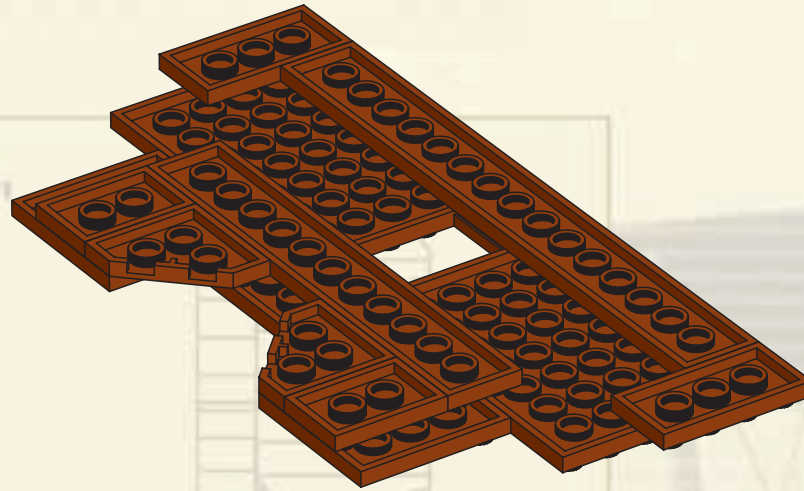
3



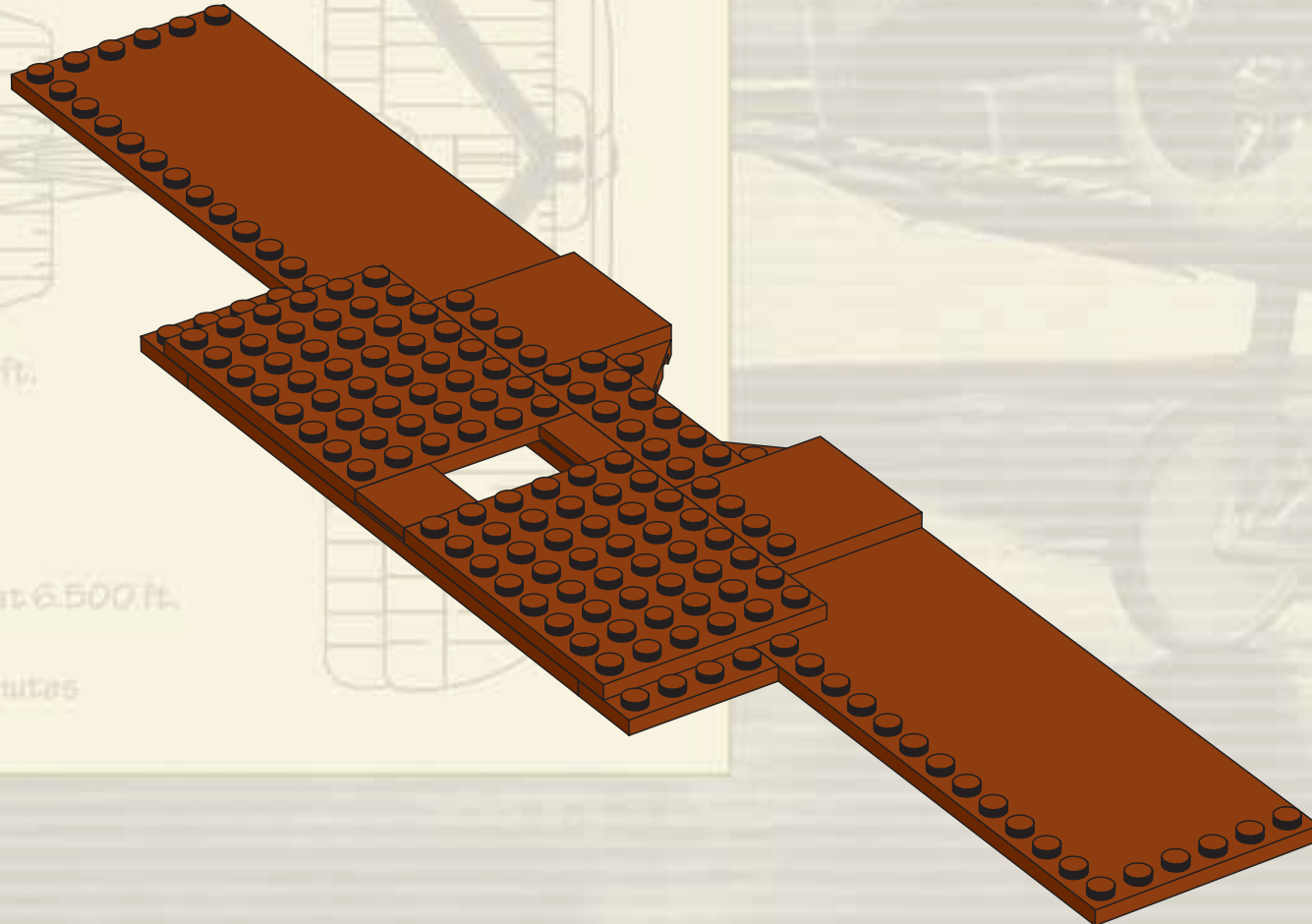


4

SOPWITH "CAMEL"

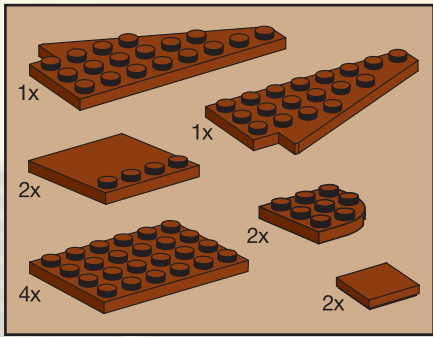


5

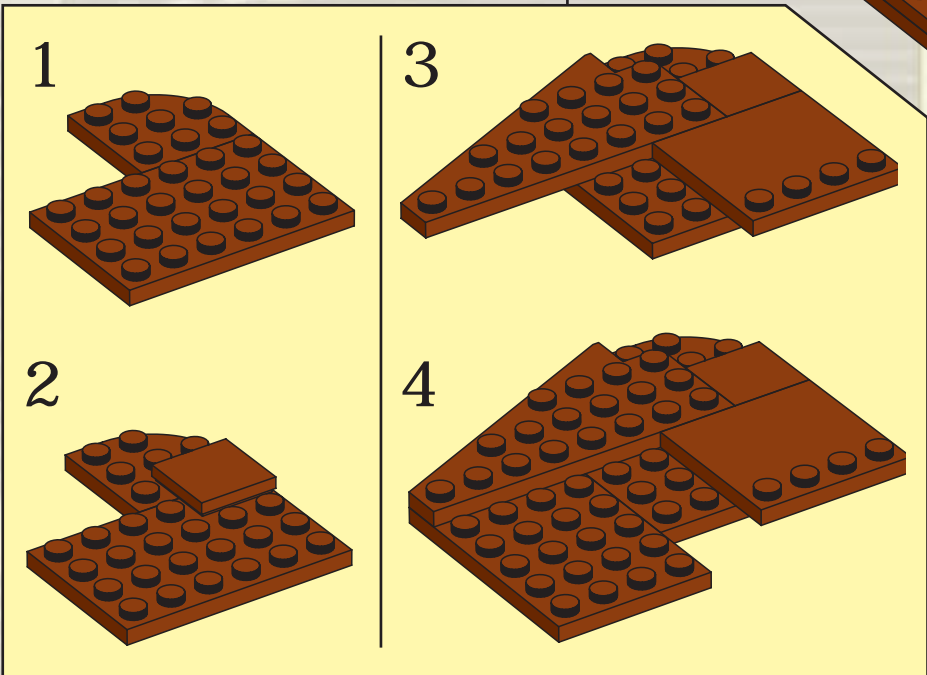
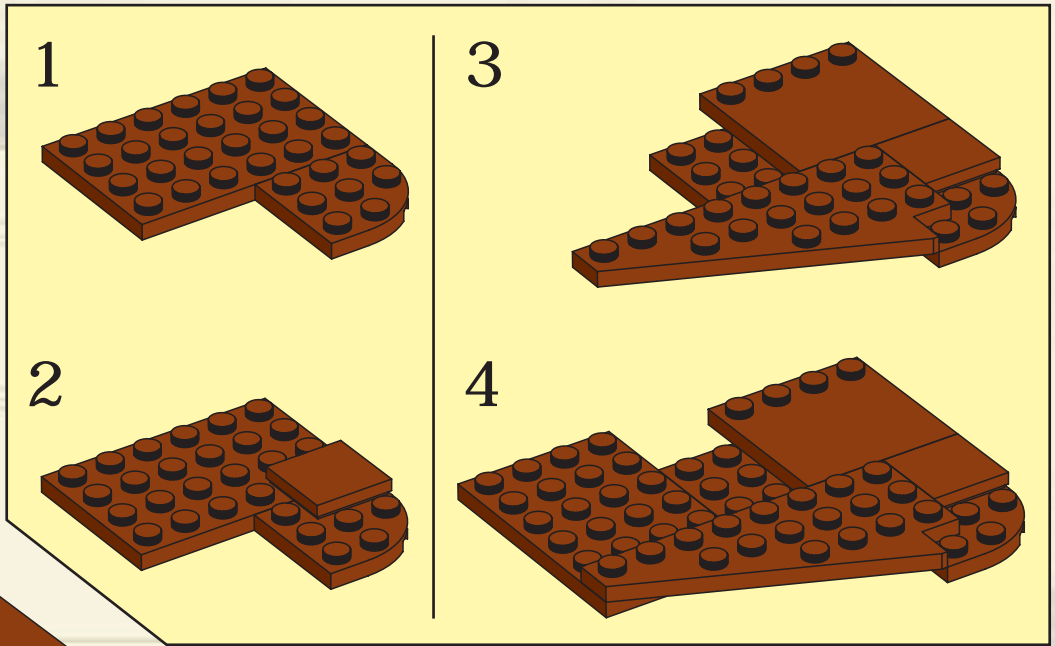
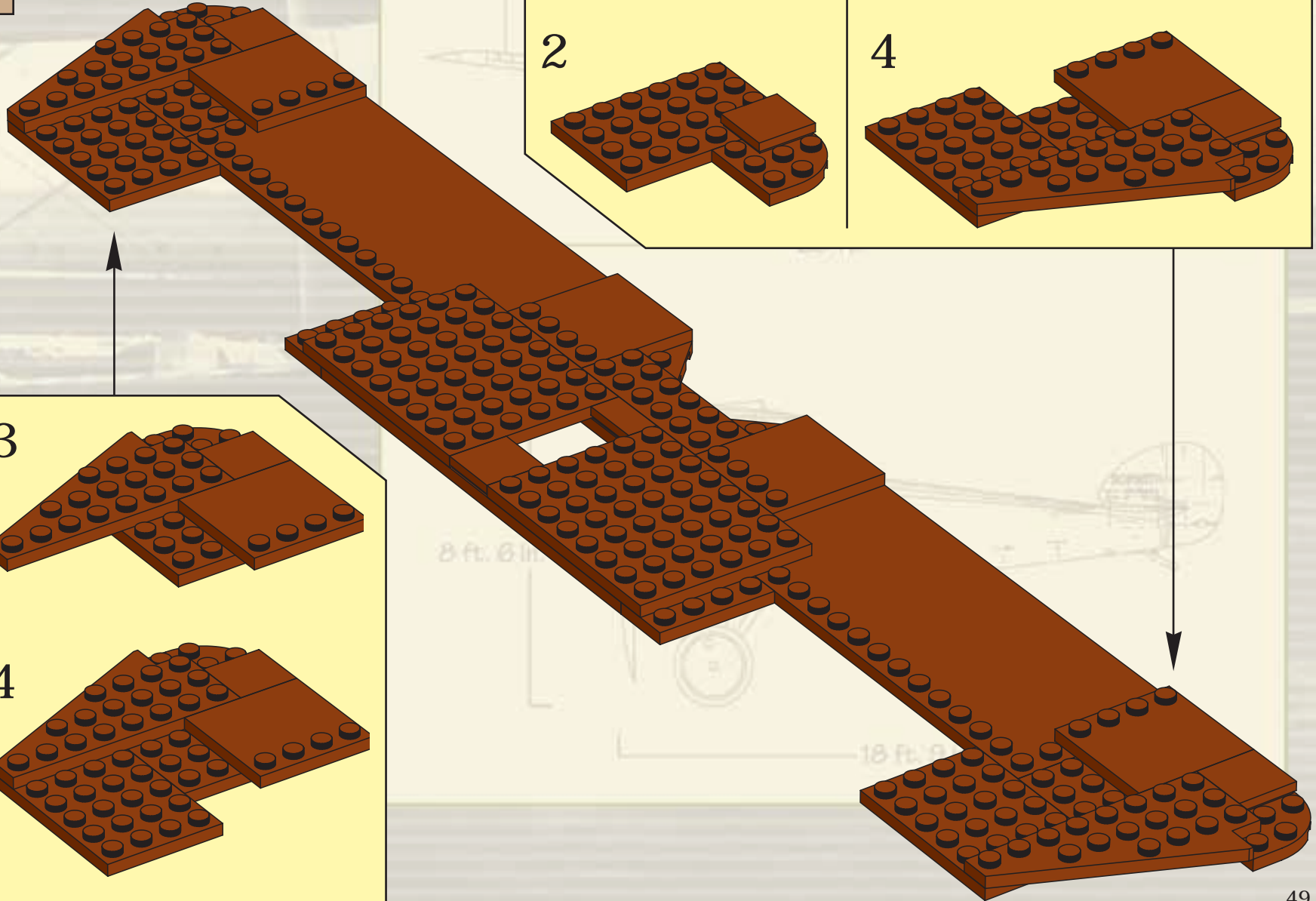


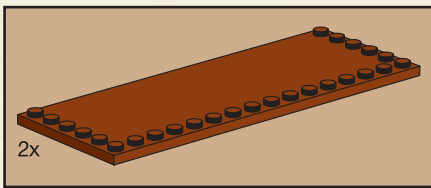
Wing area: 231.09 square ft.
 Empty weight: 929 lbs
 Max weight: 1,453 lbs

Engine power: 130 hp
 Maximum speed: 115 mph at 6,500 ft.
 Service ceiling: 19,000 ft.
 Endurance: 2 hours 30 minutes



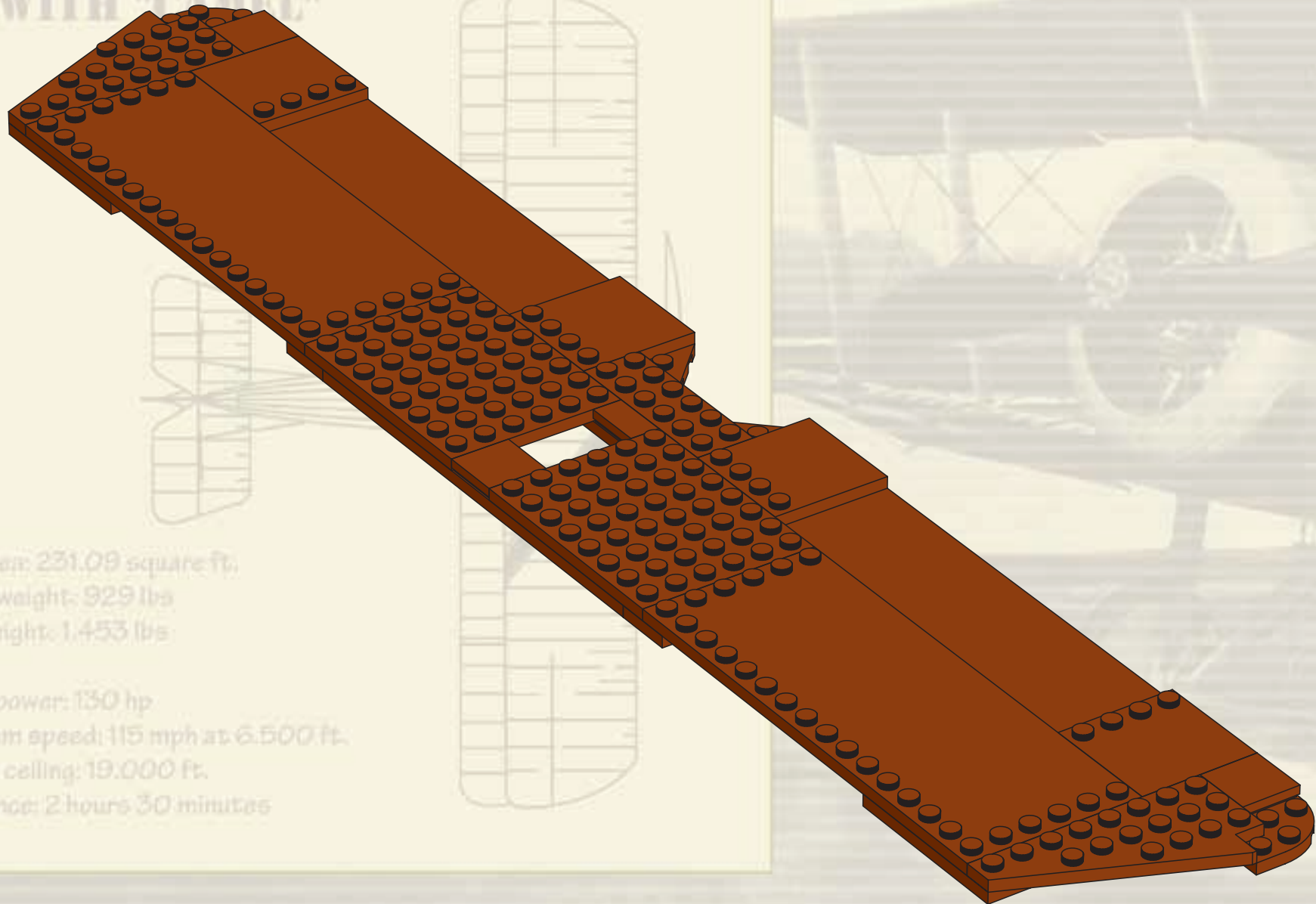
6





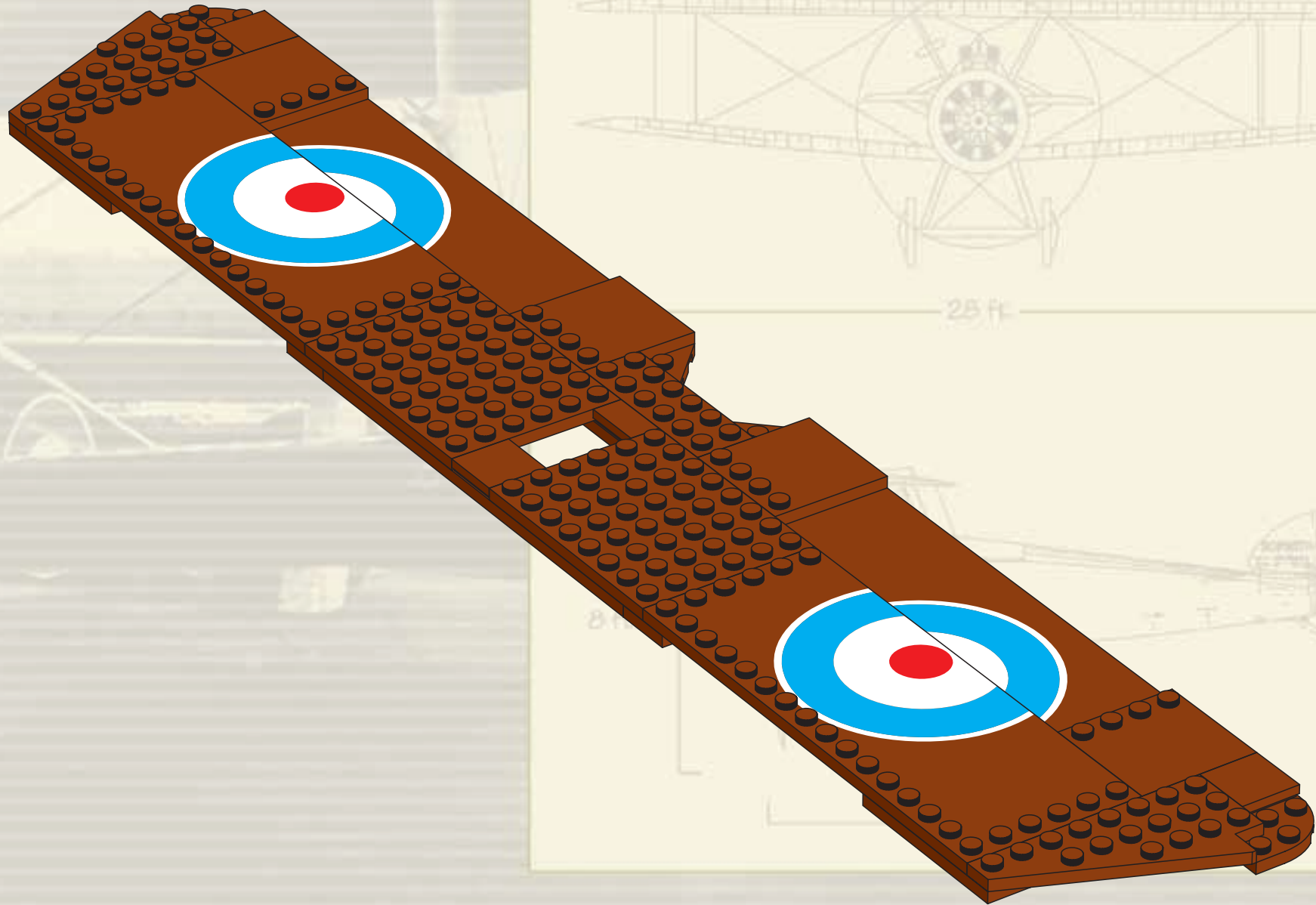
7

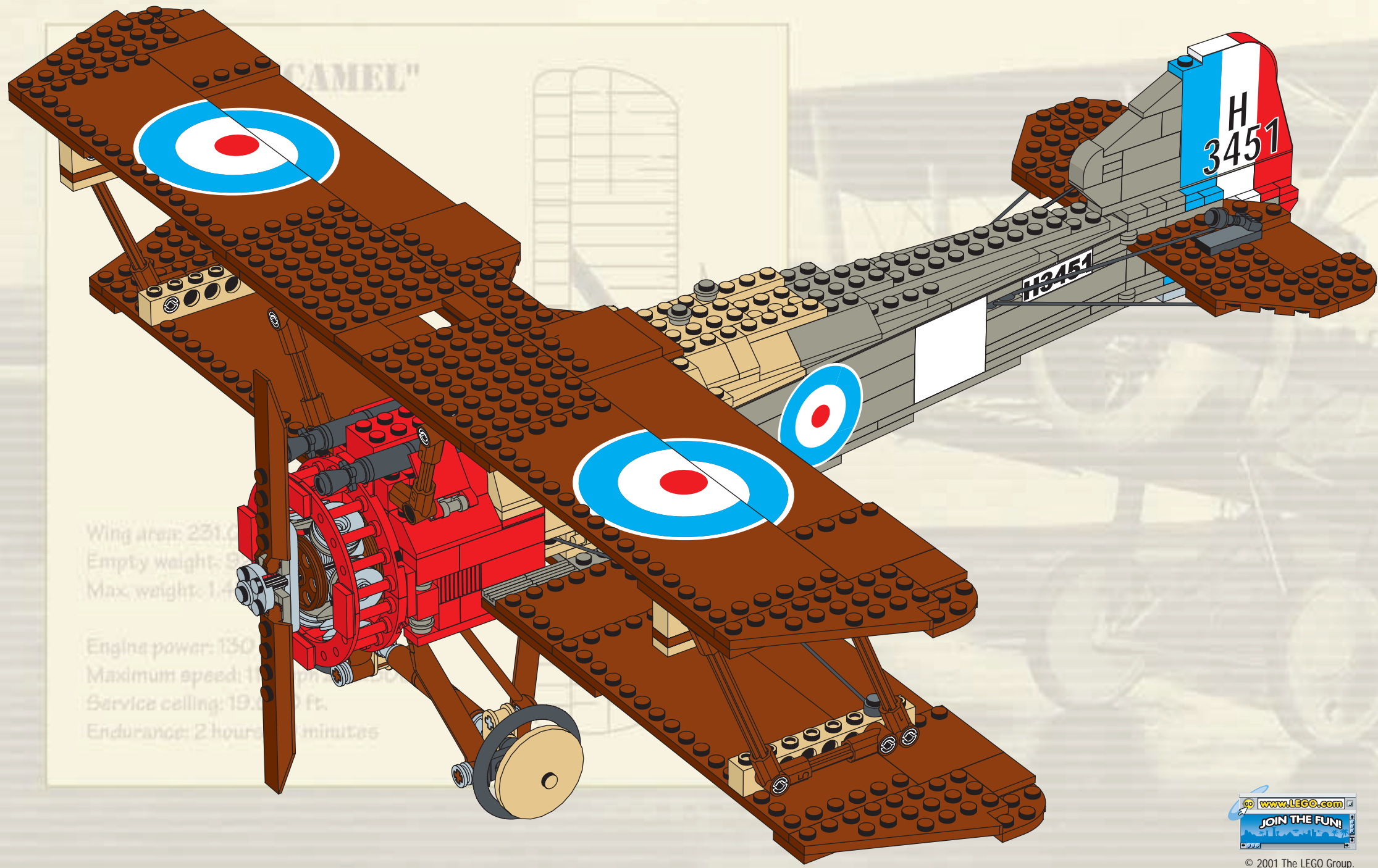
SOPWITH "CAMEL"



Wing area: 231.09 square ft.
Empty weight: 929 lbs
Max weight: 1,453 lbs

Engine power: 130 hp
Maximum speed: 115 mph at 6,500 ft.
Service ceiling: 19,000 ft.
Endurance: 2 hours 30 minutes





Wing area: 231.0
Empty weight: 9
Max weight: 1.4

Engine power: 130
Maximum speed: 110
Service ceiling: 19,000 ft.
Endurance: 2 hours 15 minutes

