



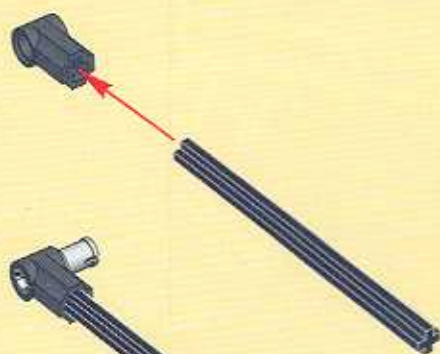
4196319



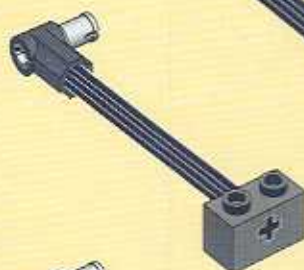
3



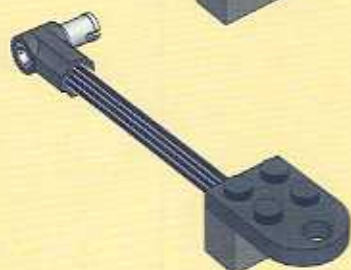
1



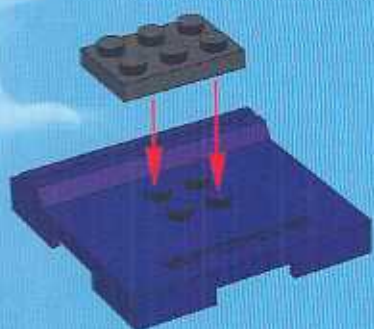
2



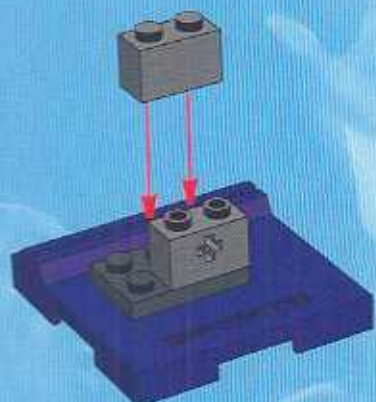
3



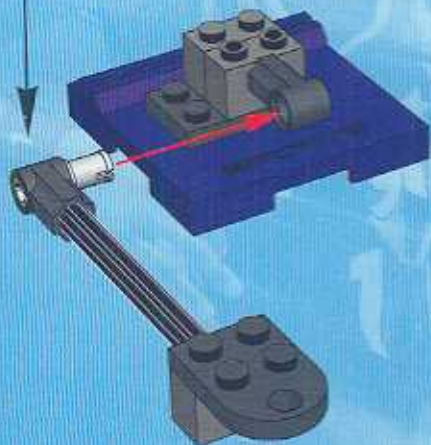
1



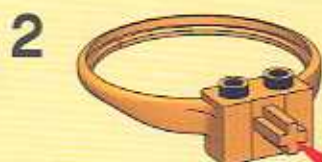
2



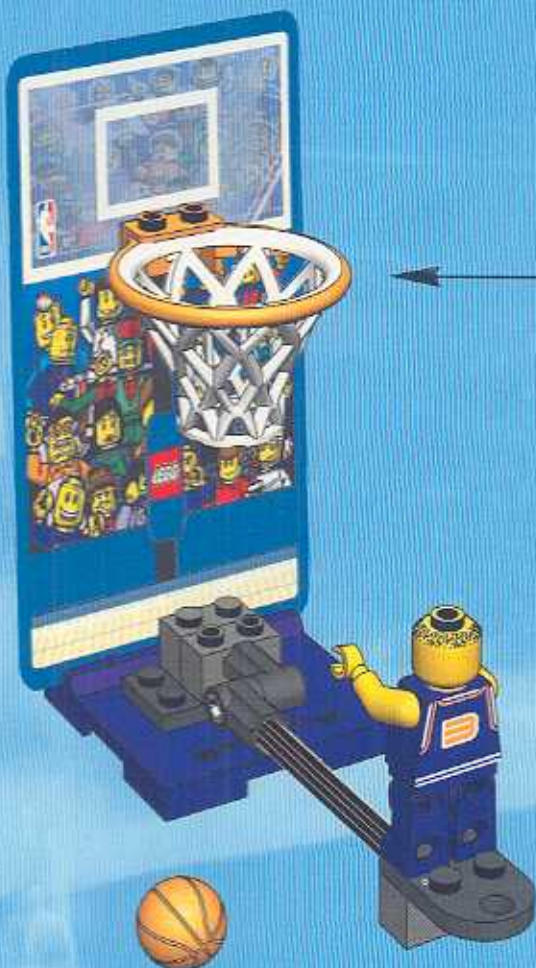
4







5



 [www.LEGO.com](http://www.LEGO.com)

SPALDING is a trademark of Spalding Sports Worldwide, Inc. or Lisco Sports, Inc., a Spalding affiliate.  
© Spalding Sports Worldwide, Inc. 2002

NBA identifications depicted are the exclusive property of NBA Properties, Inc. and/or the NBA Member Teams, and are used with permission.

LEGO and the LEGO logo are trademarks of the LEGO Group.  
©2002 The LEGO Group. 4198319



NOV 2000