



# TECHNIC

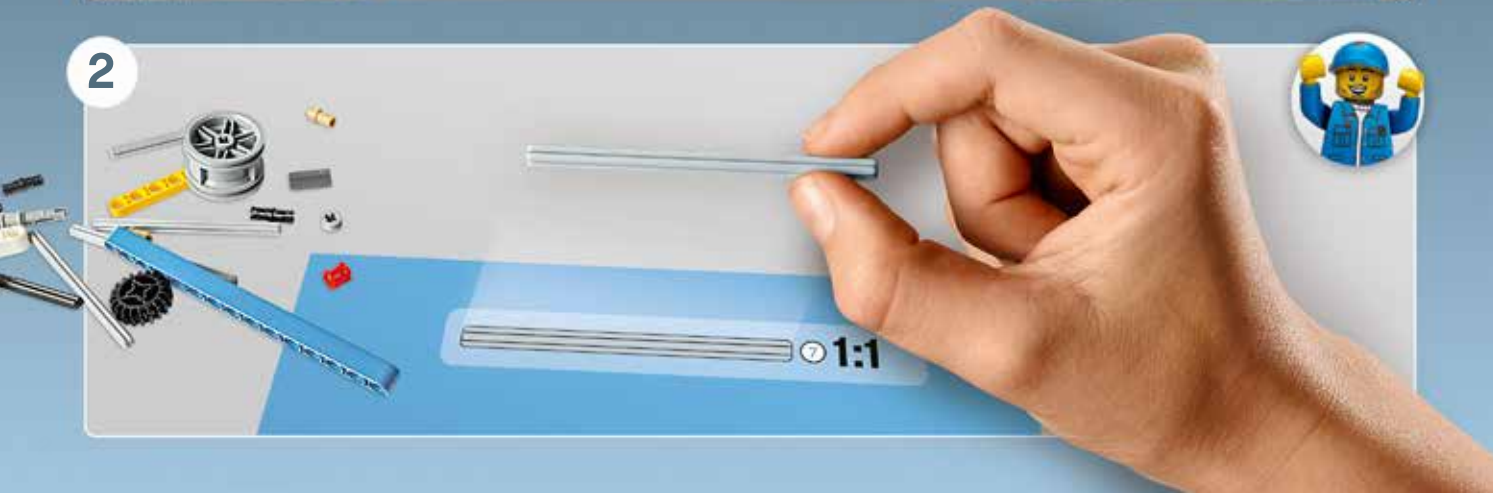
42047

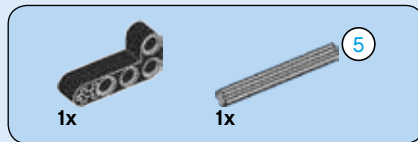
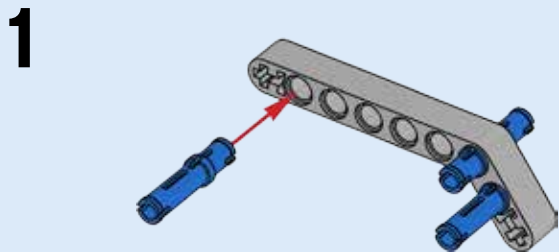
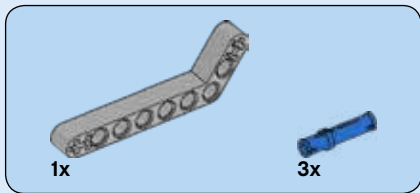
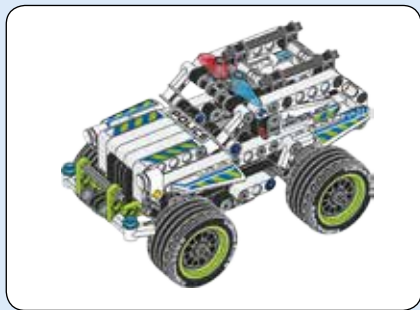


1

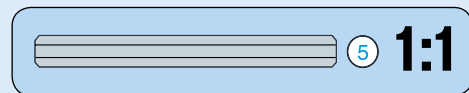
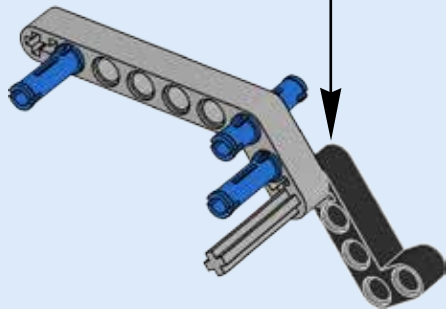
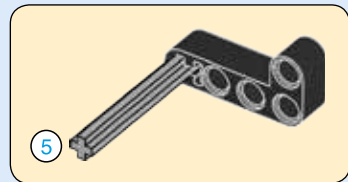


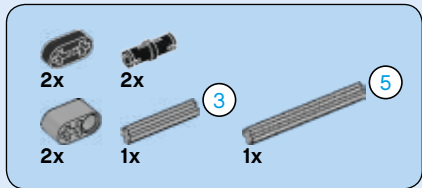
2



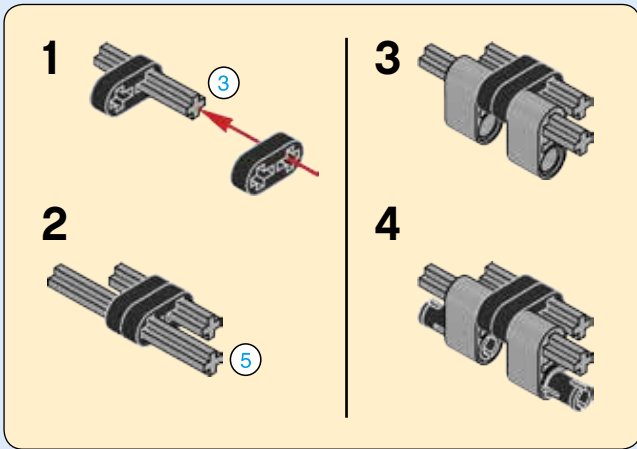


**2**

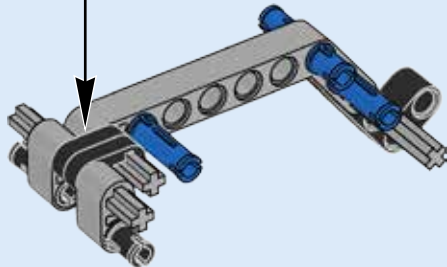
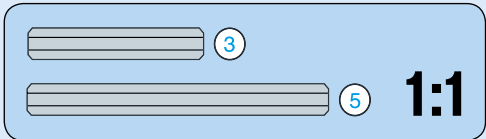


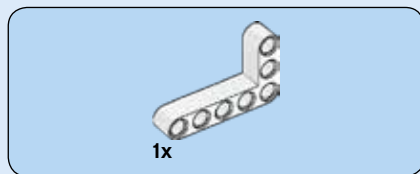


# 3

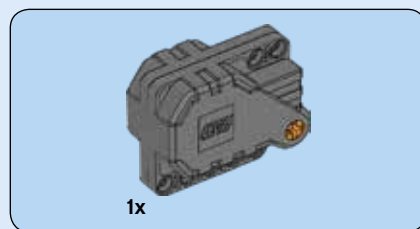
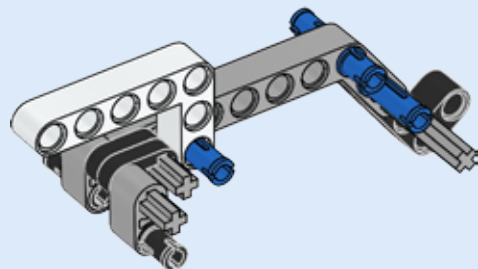


# 4

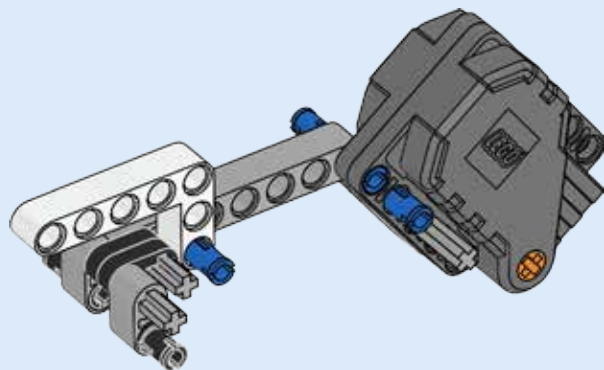


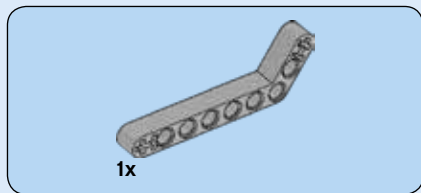


4

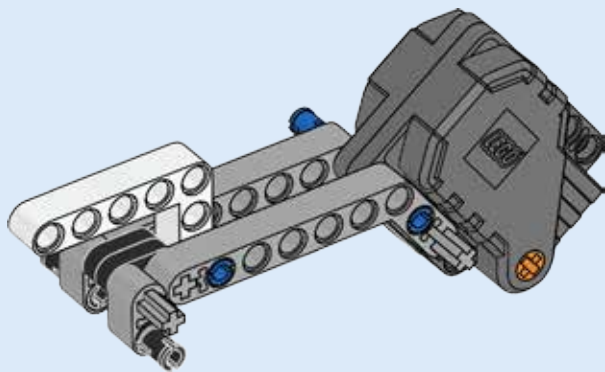


5





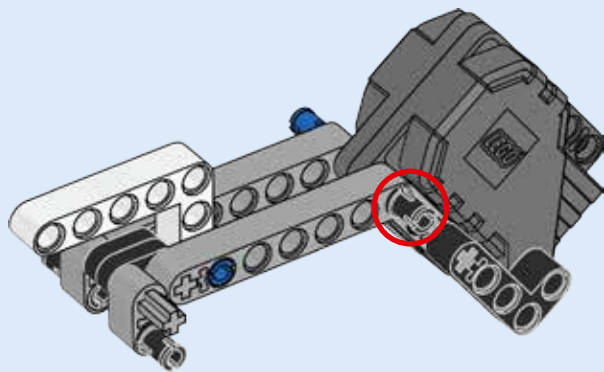
6

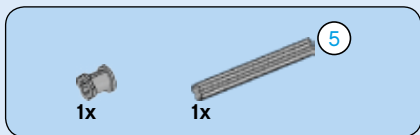
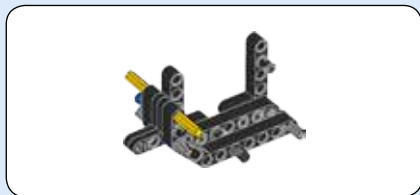


6

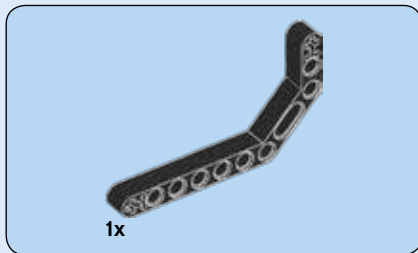


7

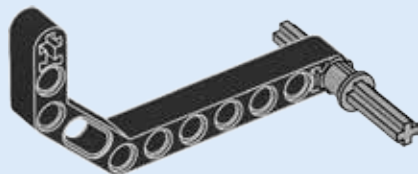


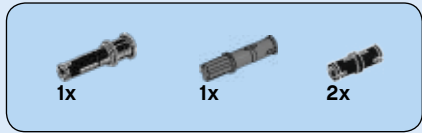


8

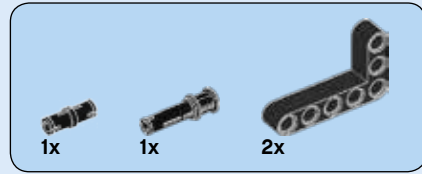
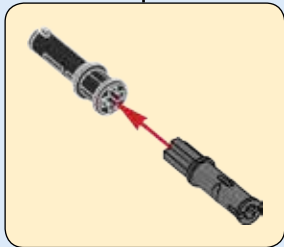
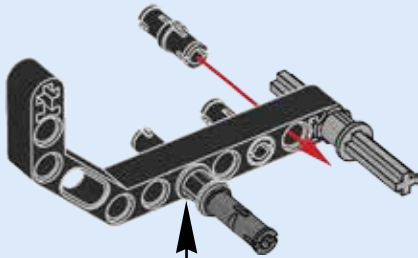


9

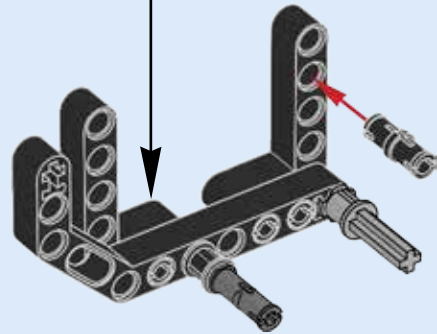
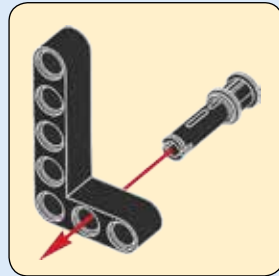




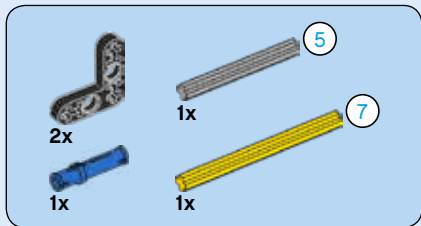
10



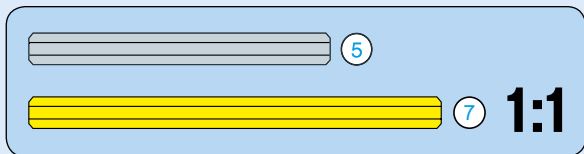
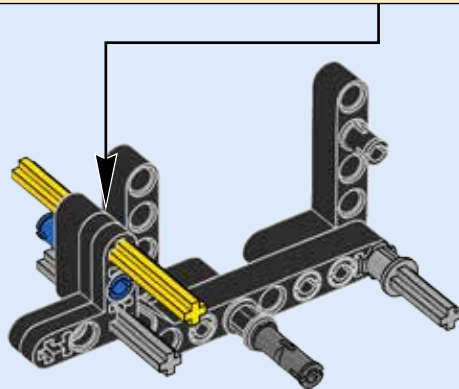
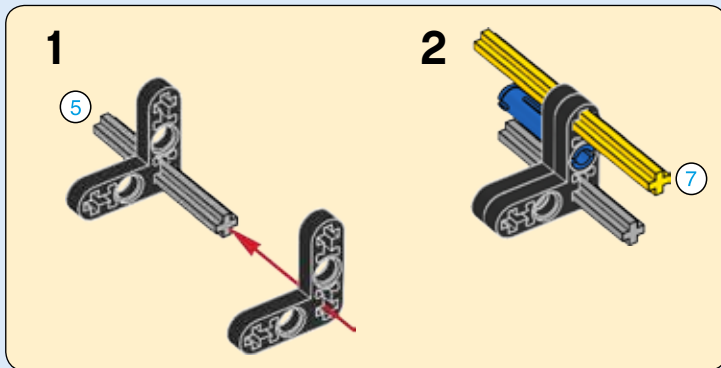
11

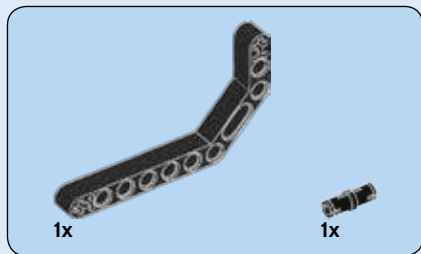




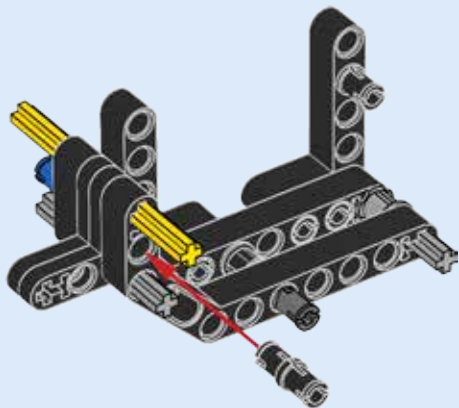


12

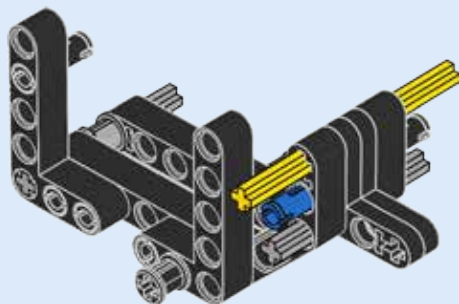
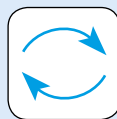


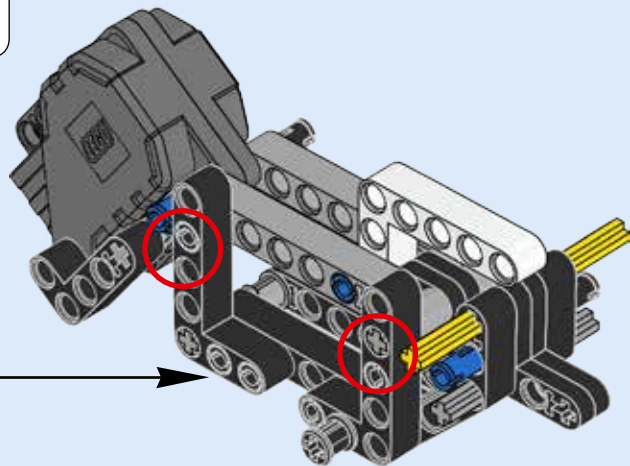
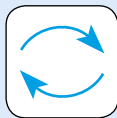


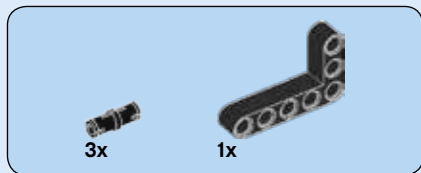
13



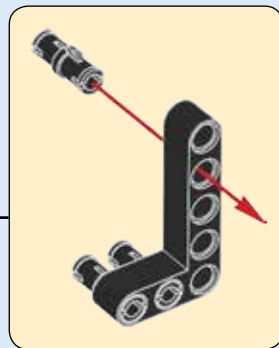
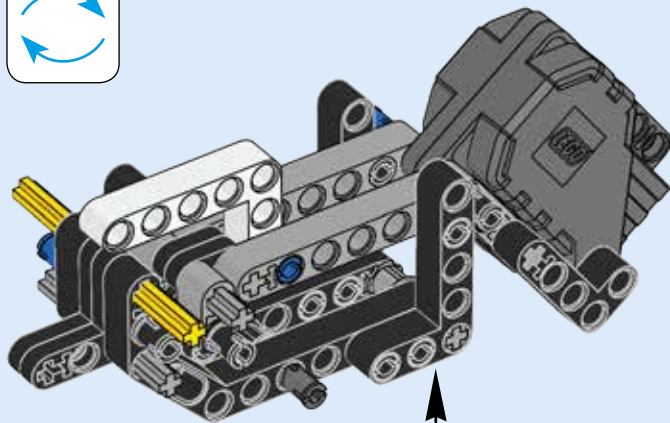
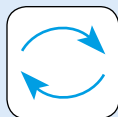
14

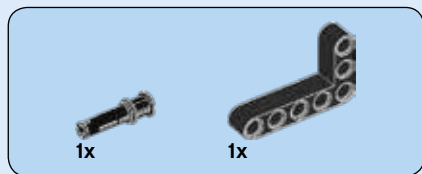




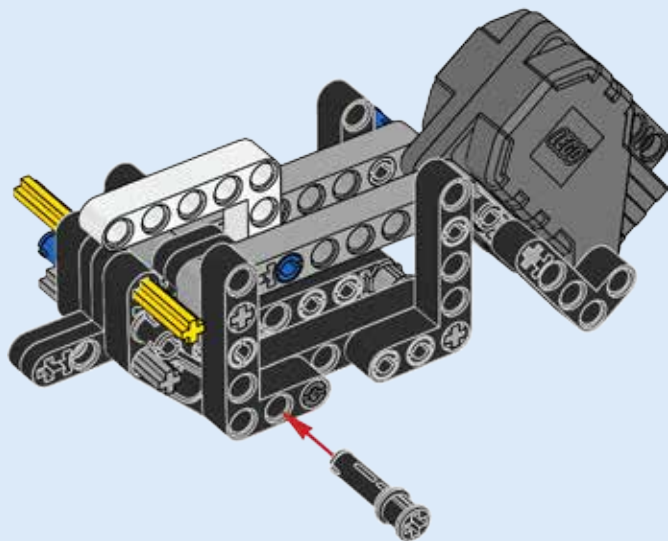


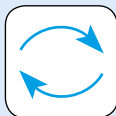
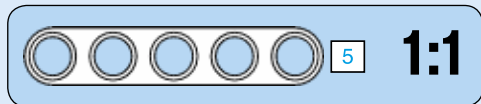
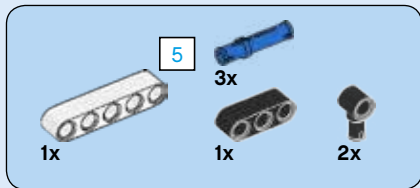
15



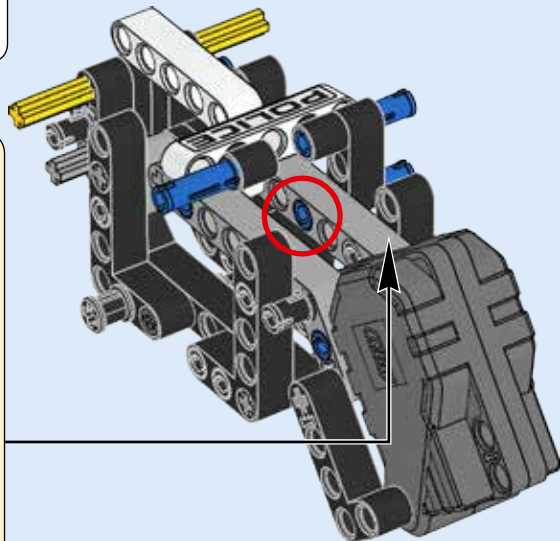
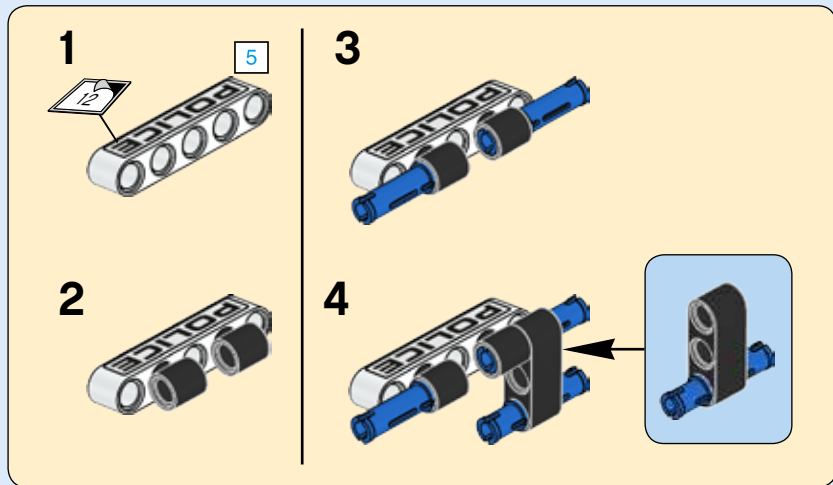


16



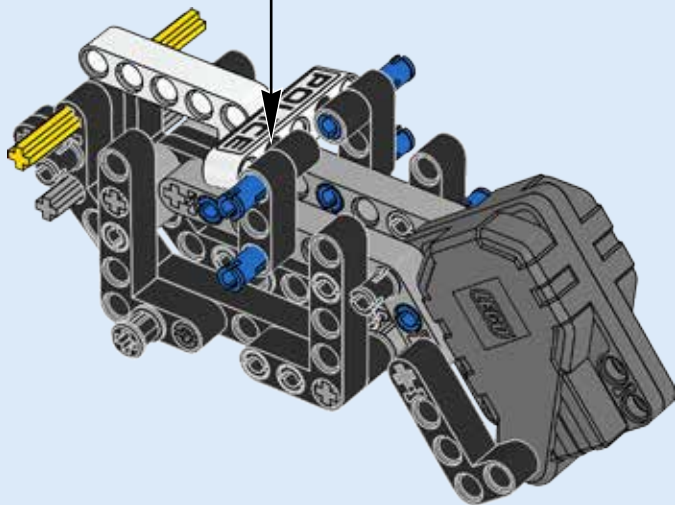
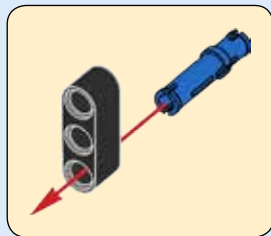


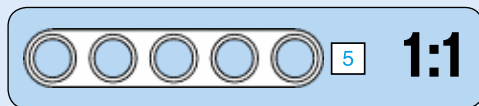
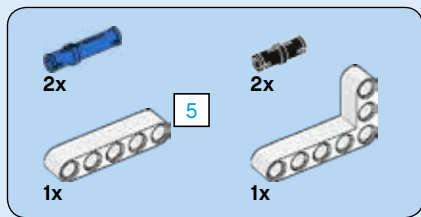
# 17



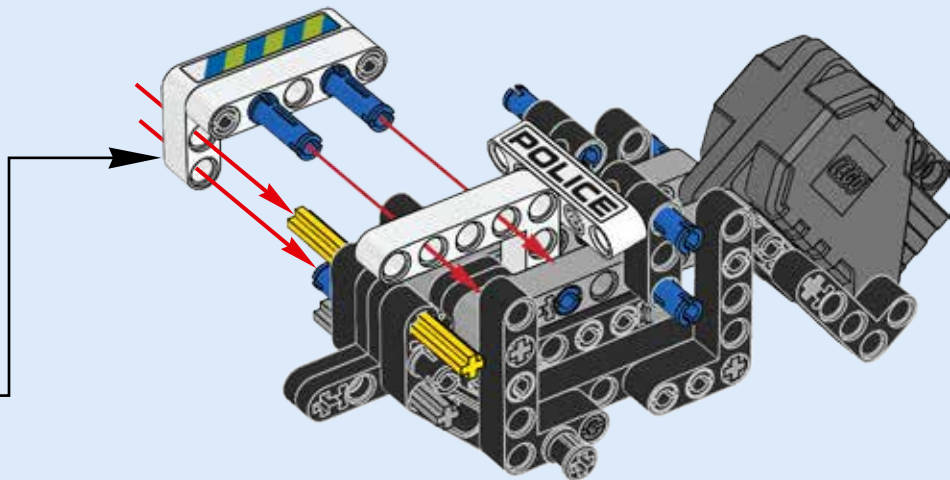
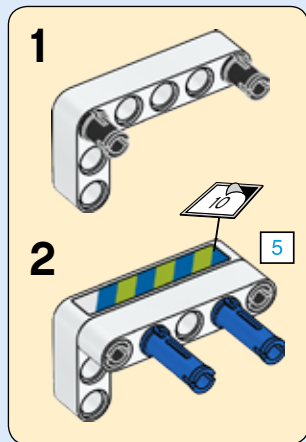


18

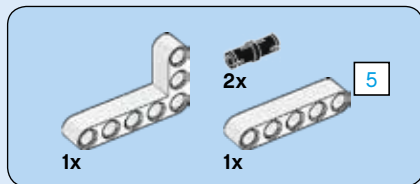




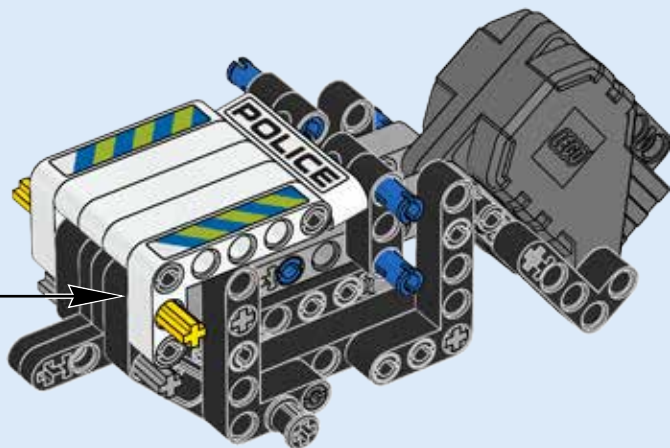
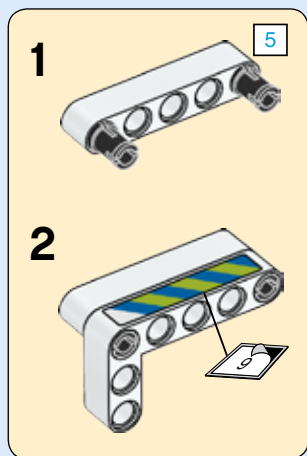
# 19

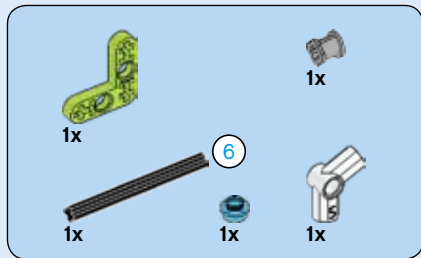




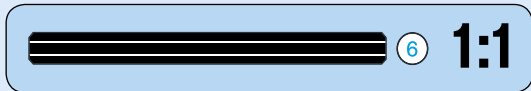
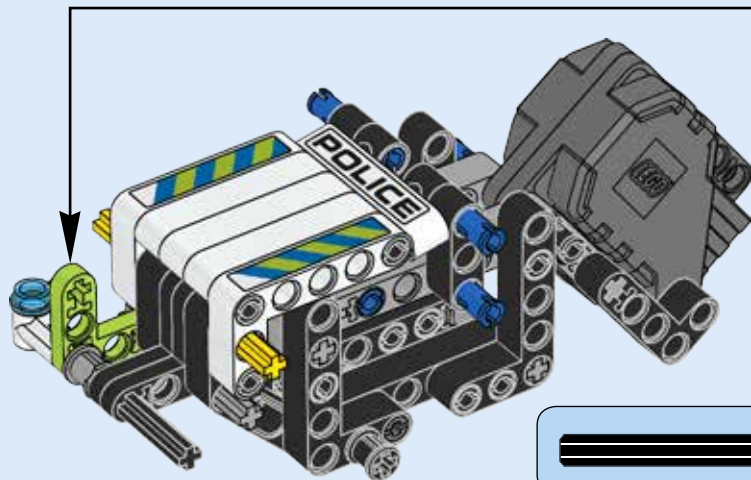
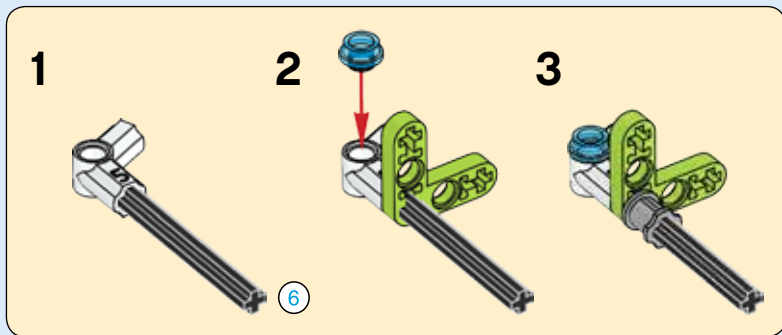


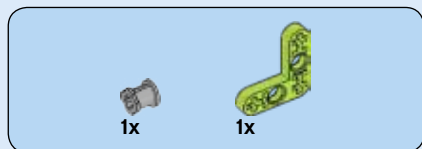
# 20



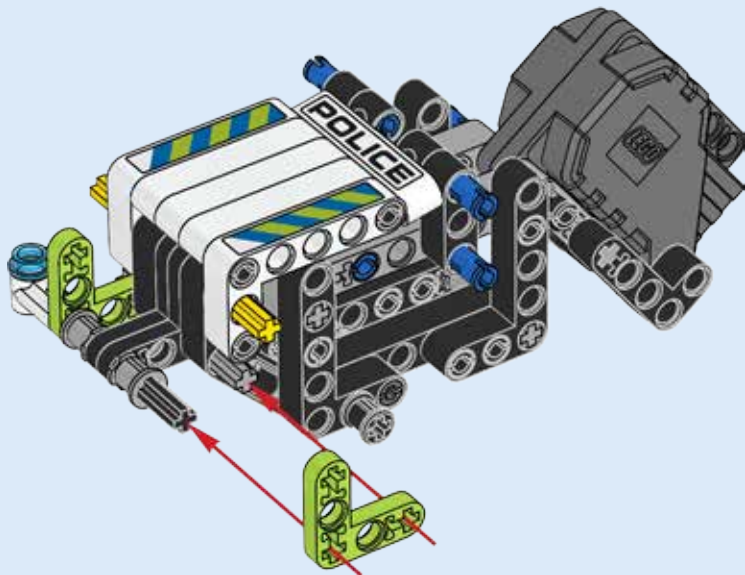


21





22



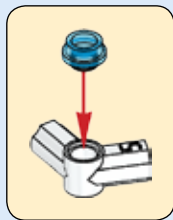
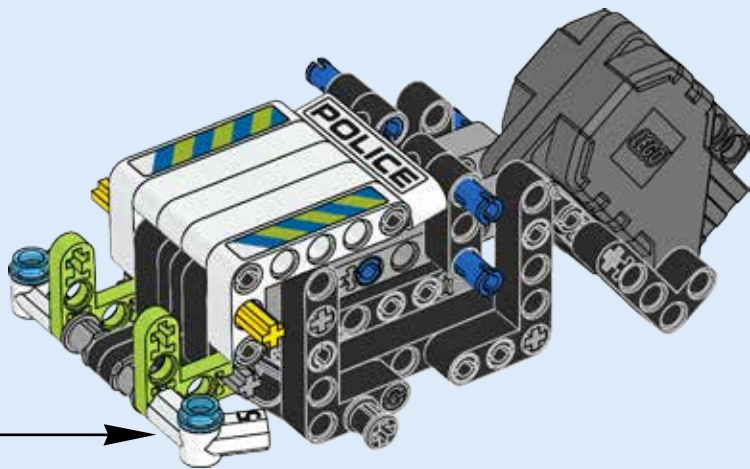


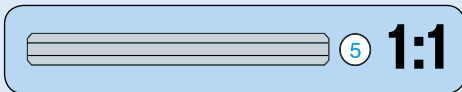
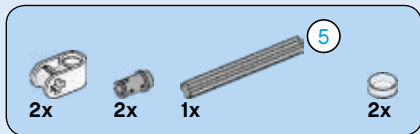
1x



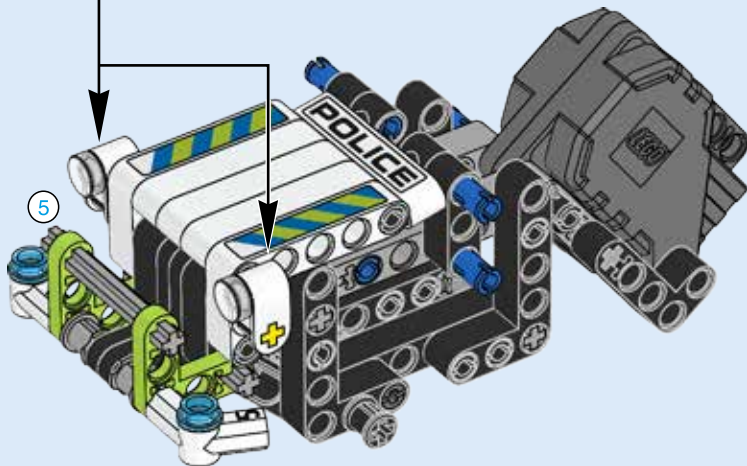
1x

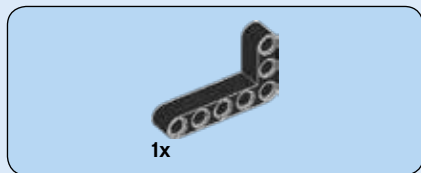
# 23



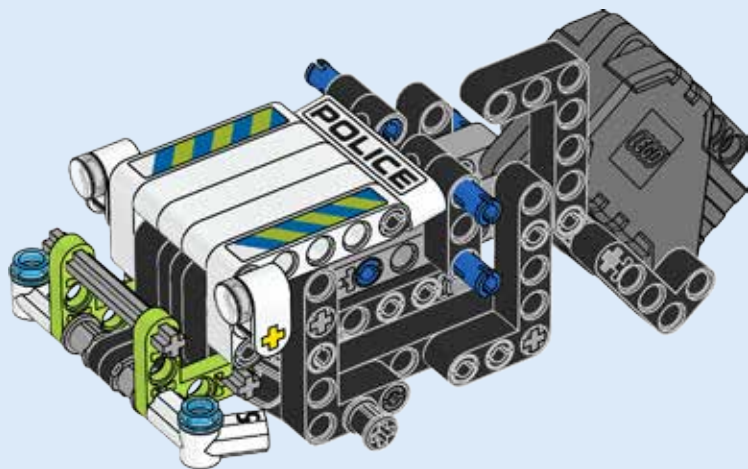


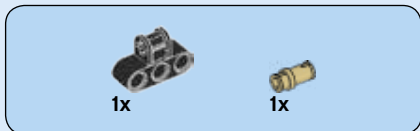
24



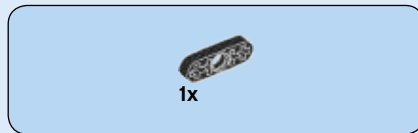


25





26

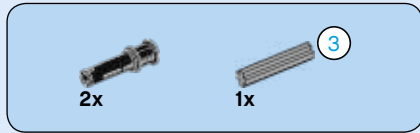
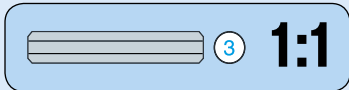
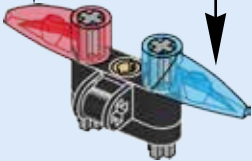
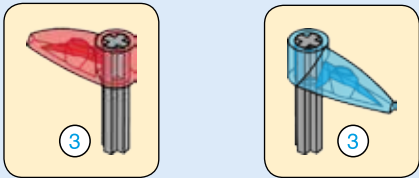


27

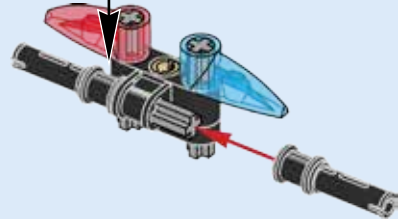
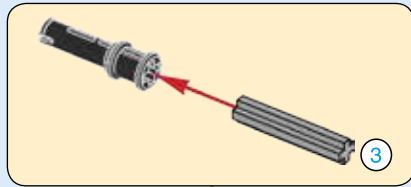




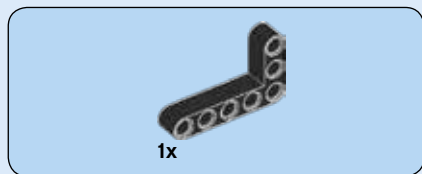
28



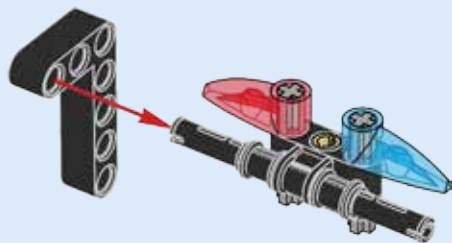
29



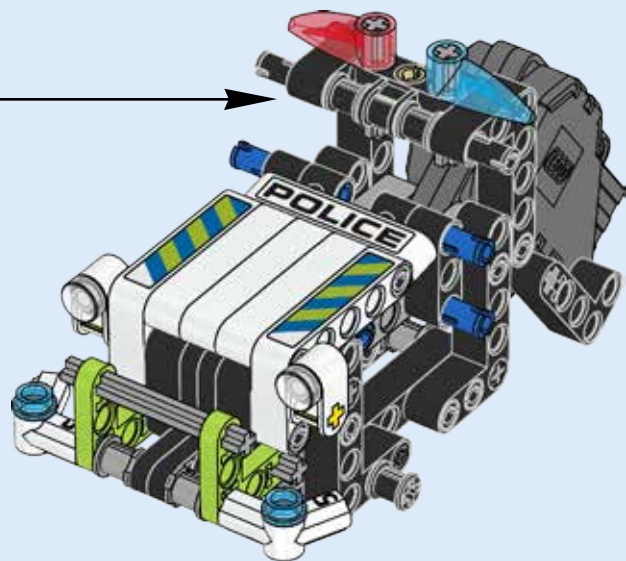


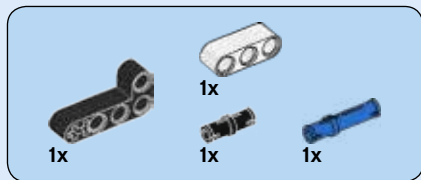


30

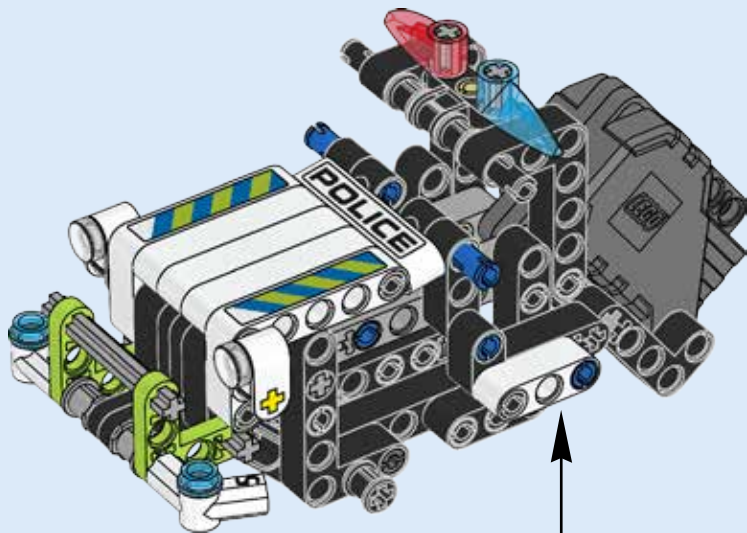
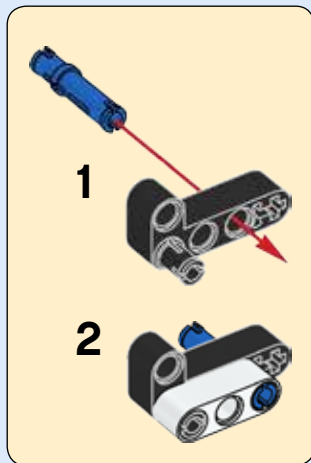


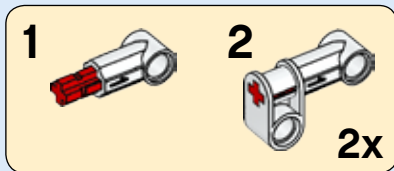
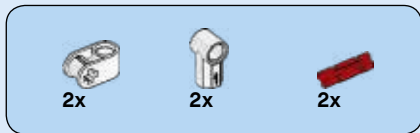
31



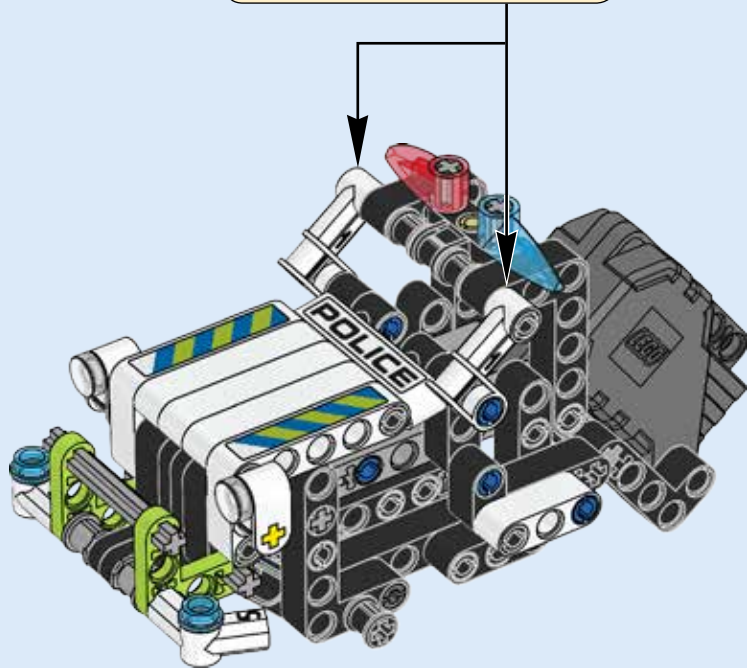


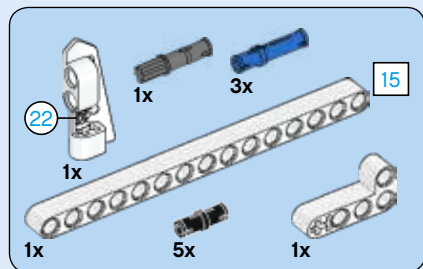
# 32



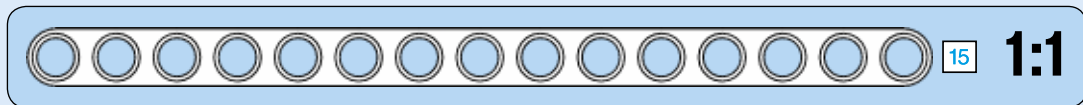
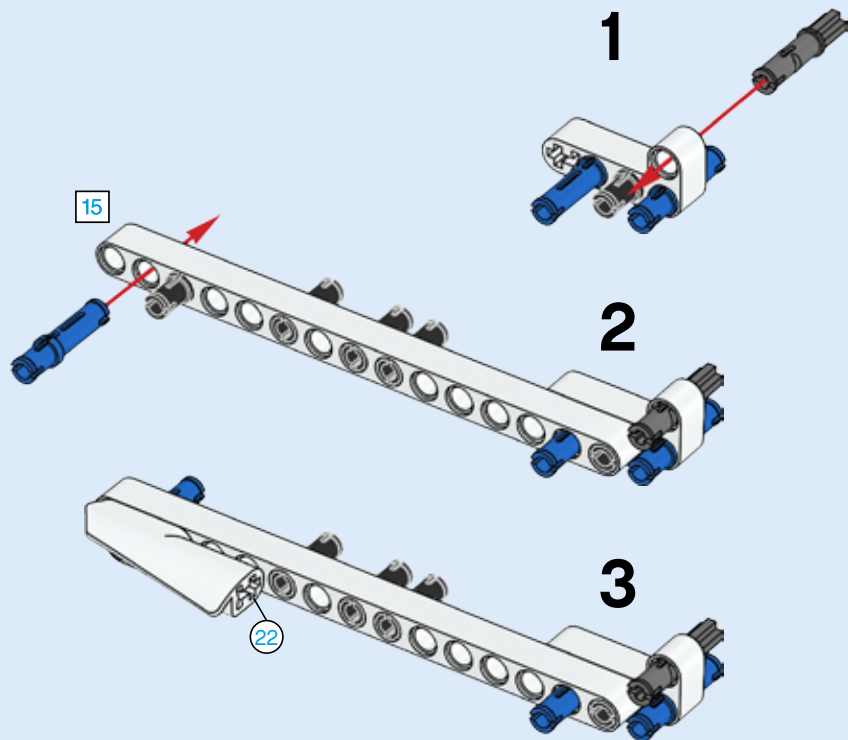


# 33

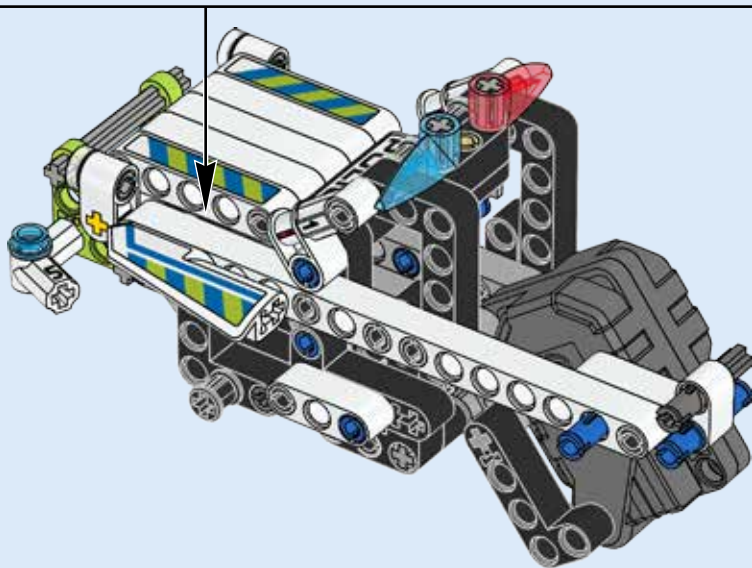
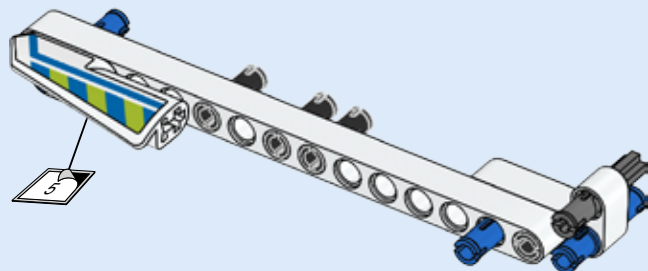


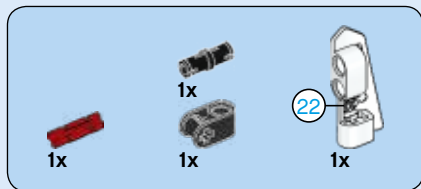


# 34

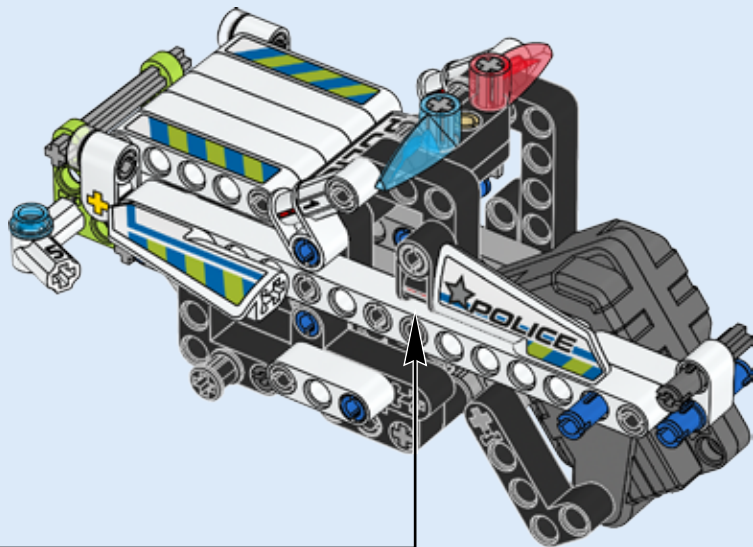


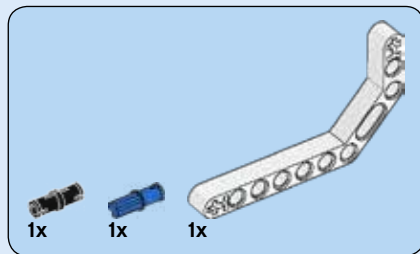
4



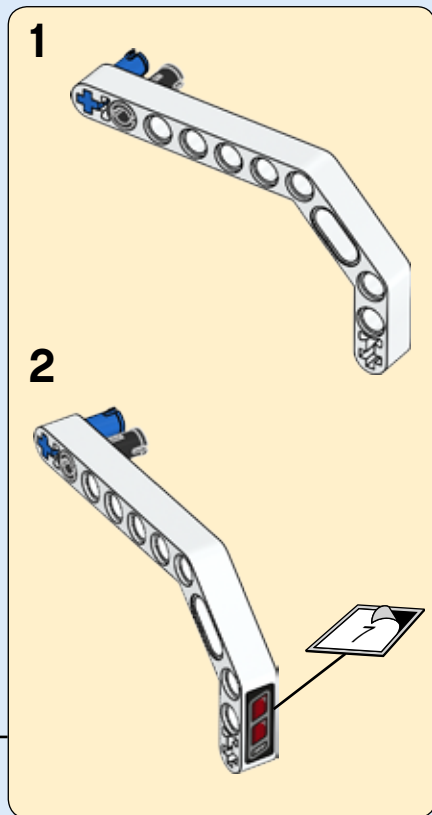
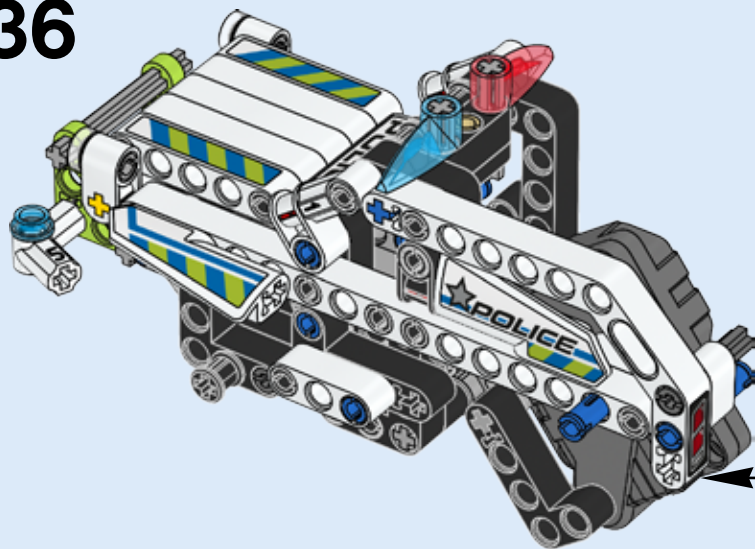


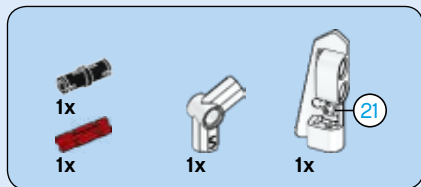
# 35



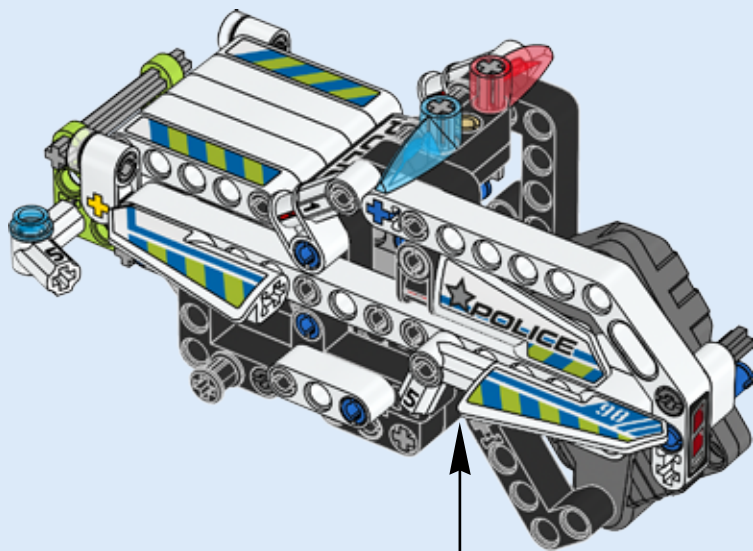
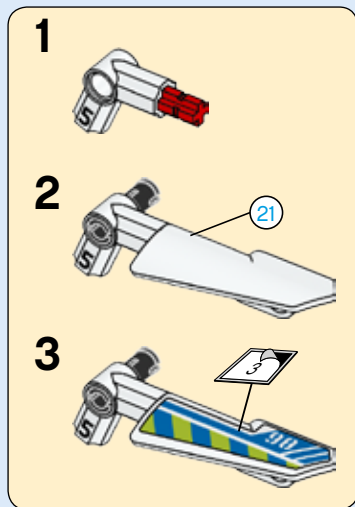


36

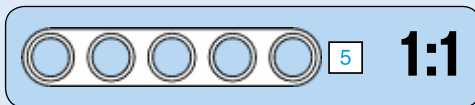
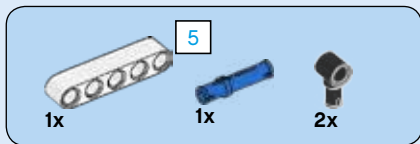




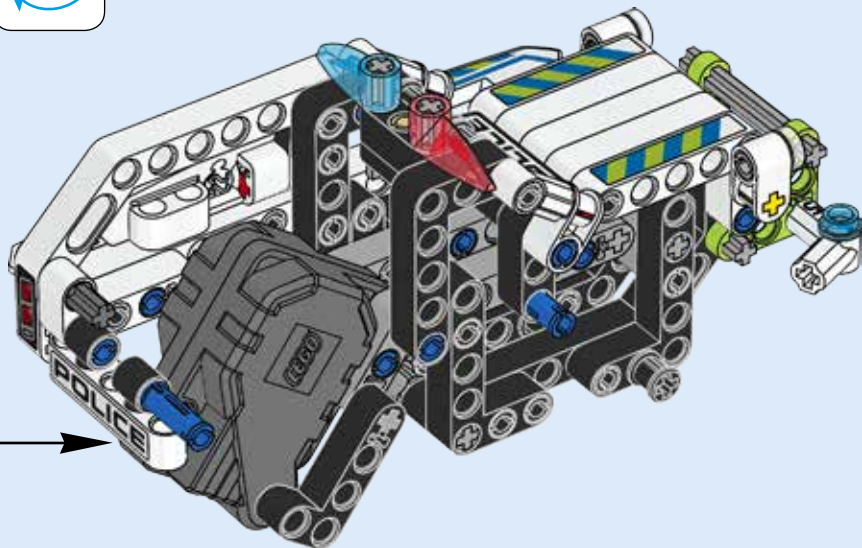
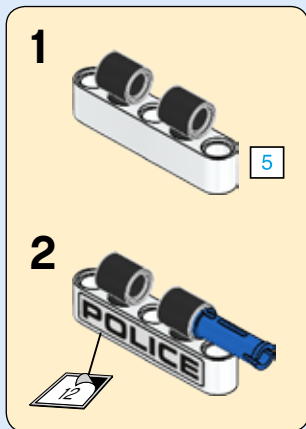
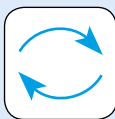
# 37







# 38



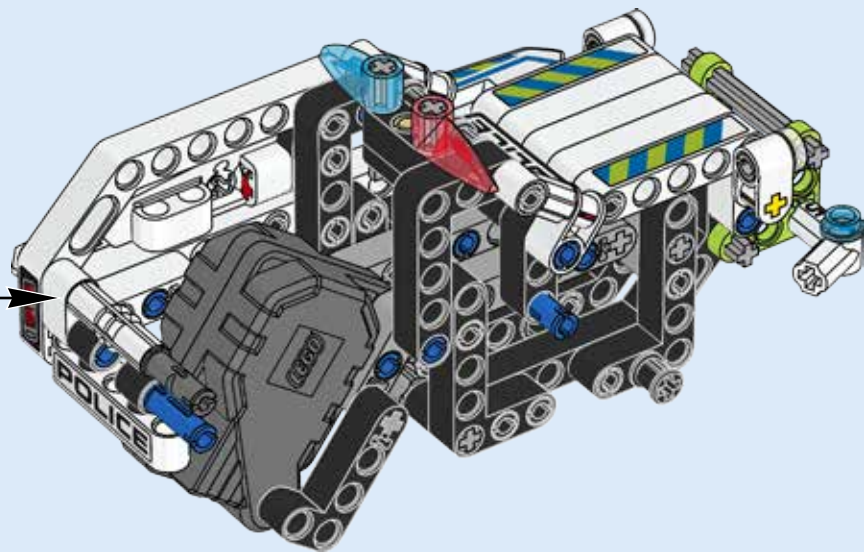
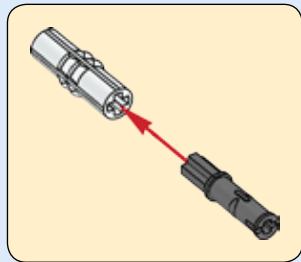


1x



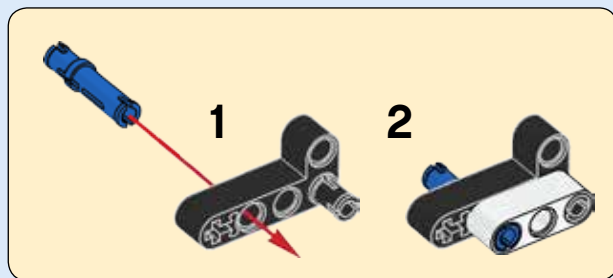
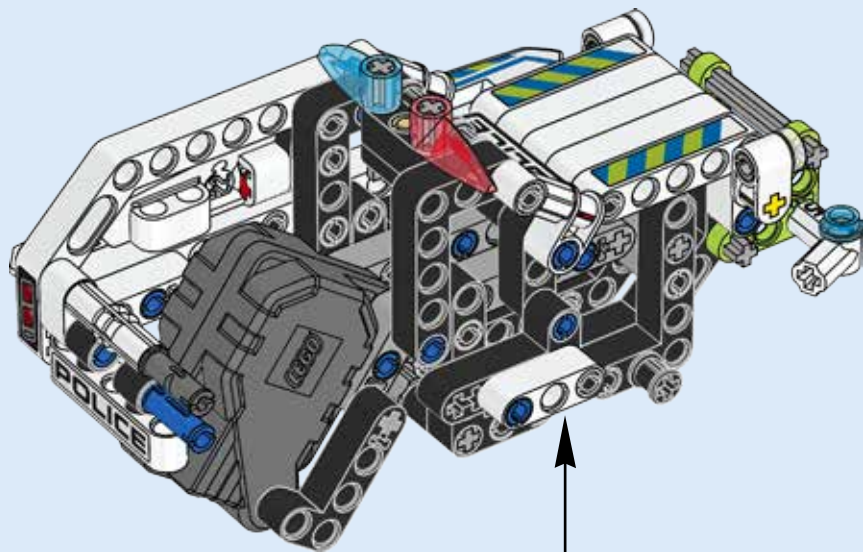
1x

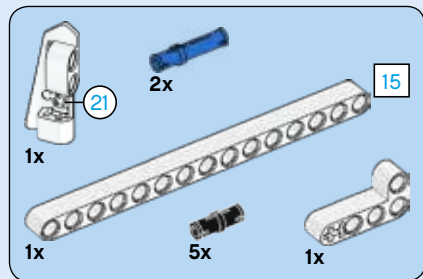
# 39



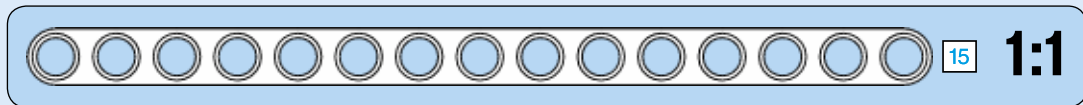
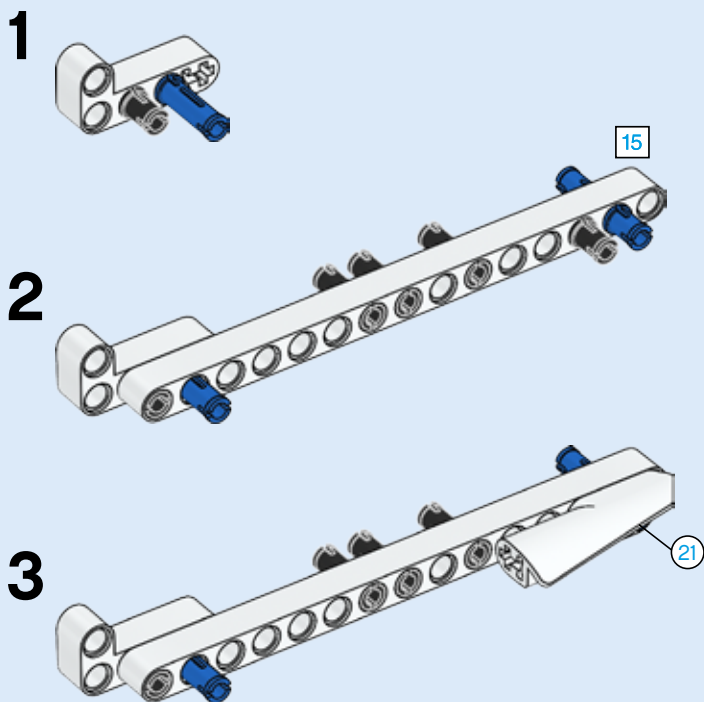


40

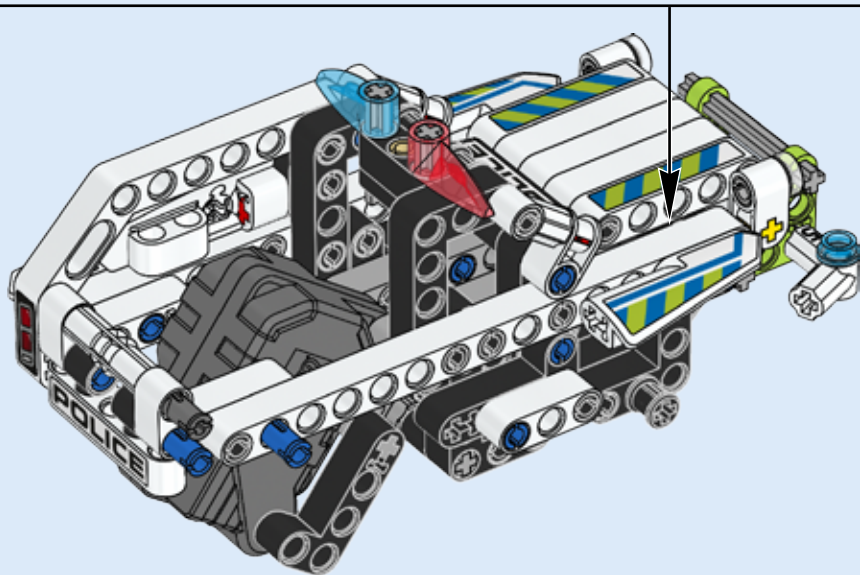
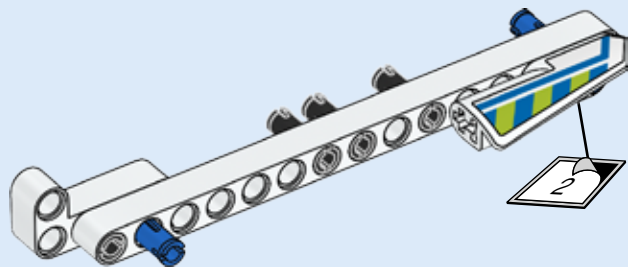


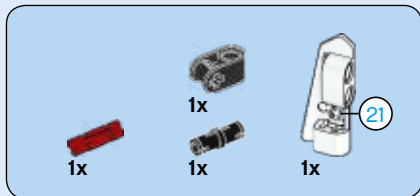


# 41

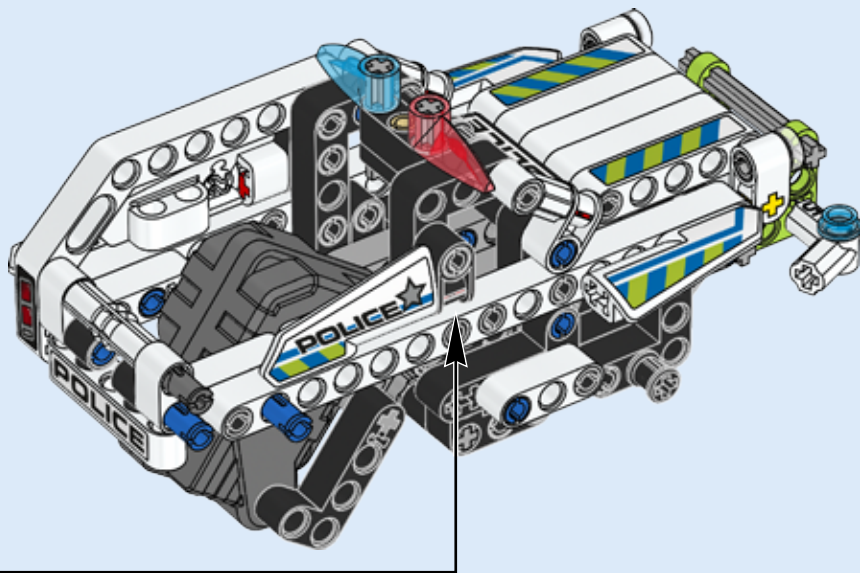
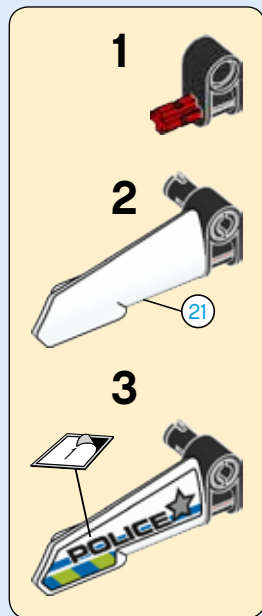


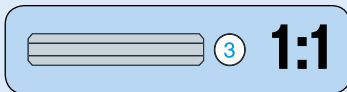
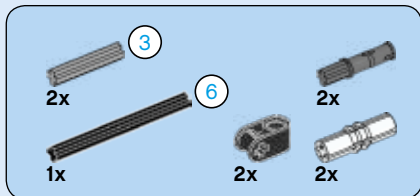
4





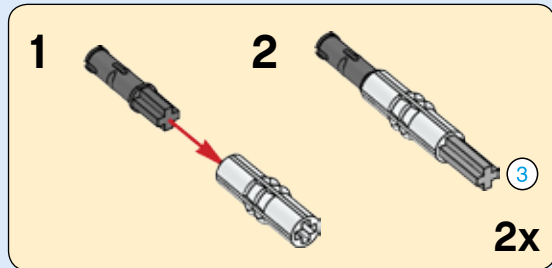
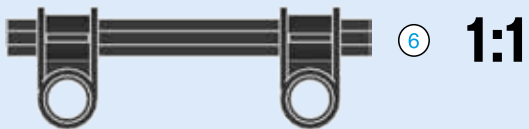
42



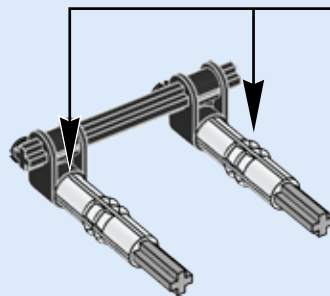


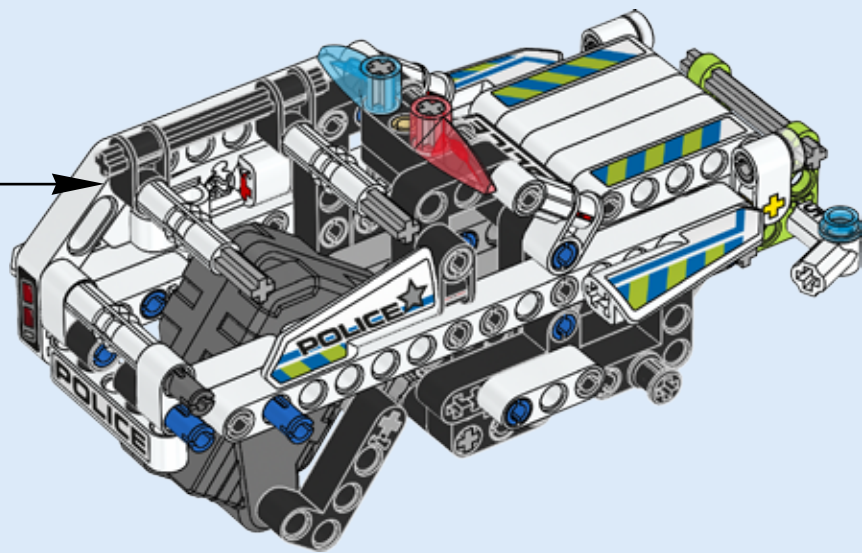
# 43

## 1

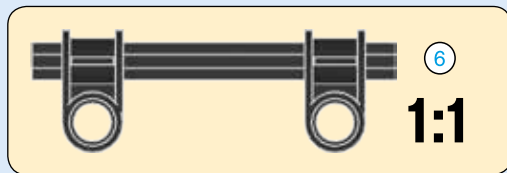
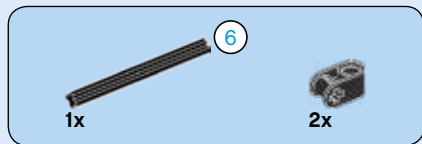


## 2

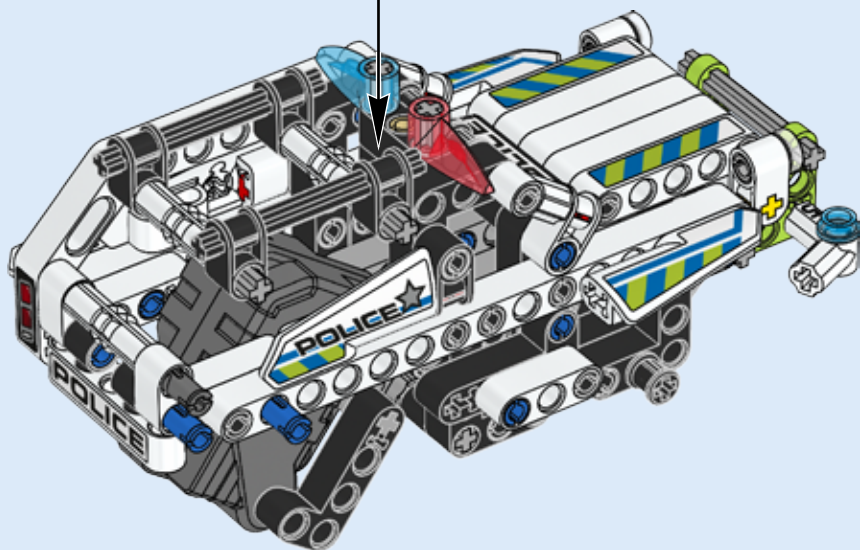


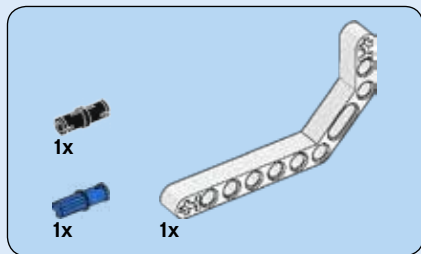




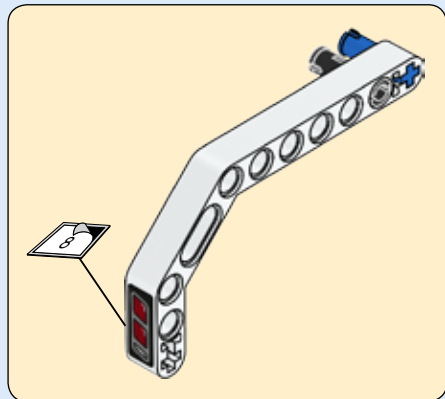
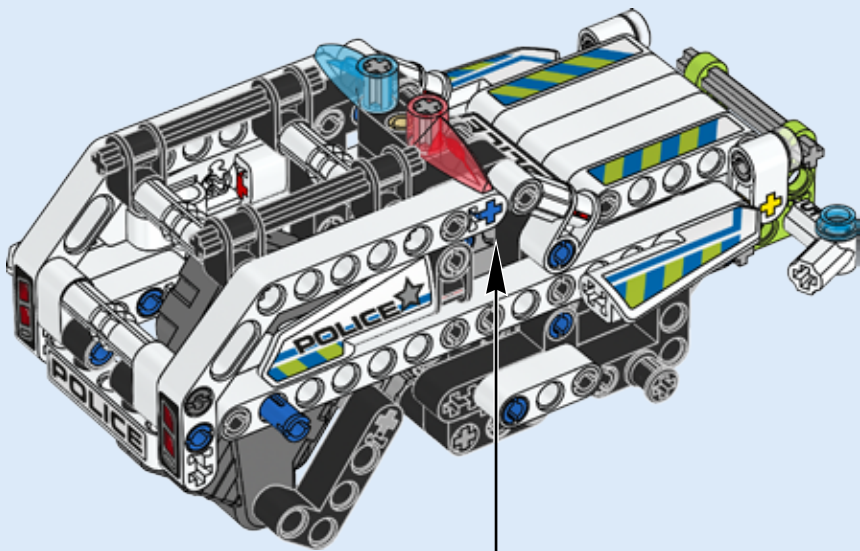


**44**



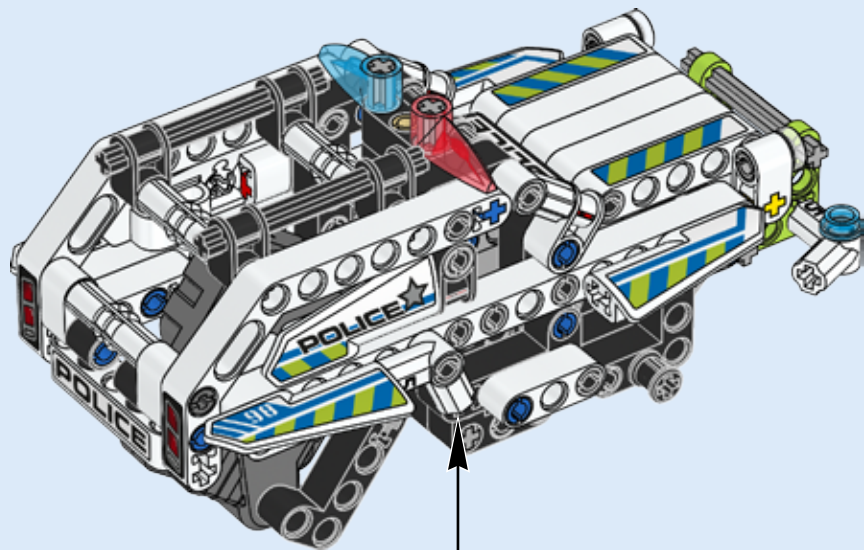
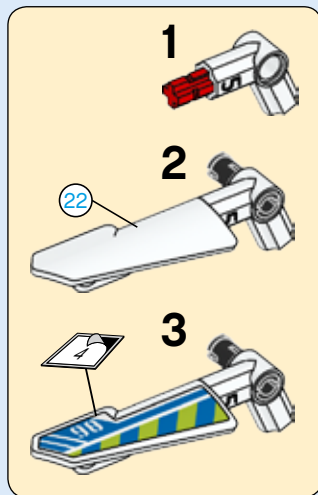


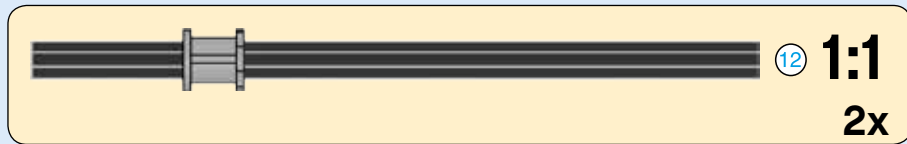
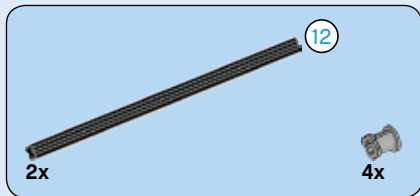
45



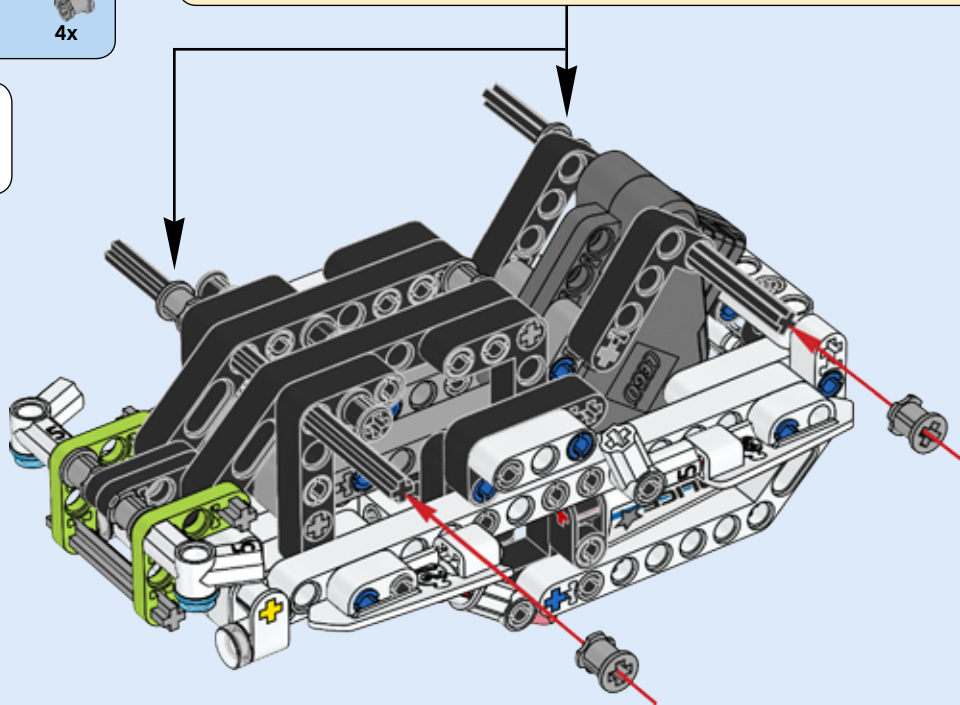
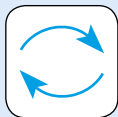


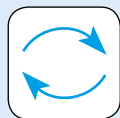
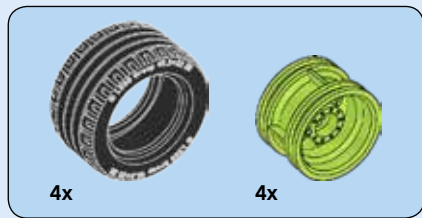
46



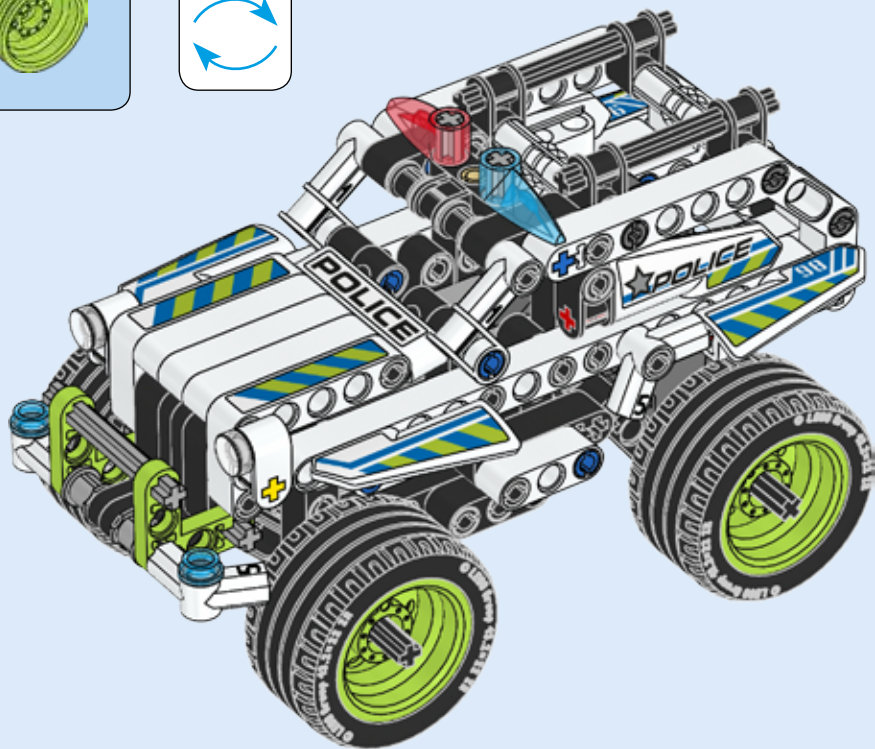


47





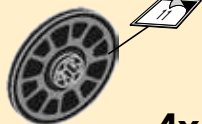
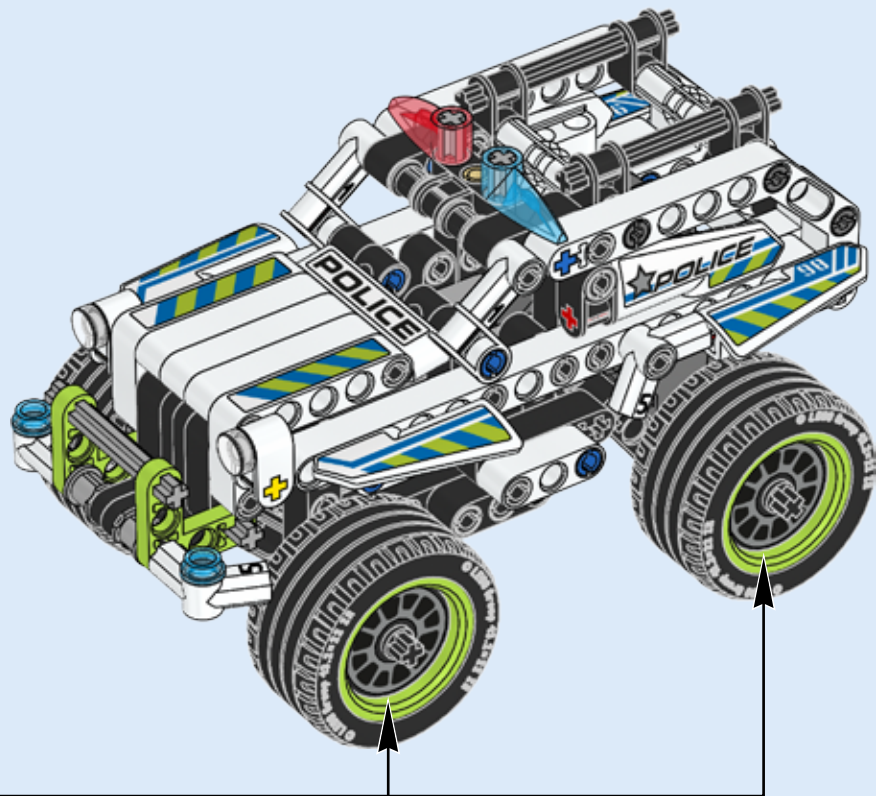
48





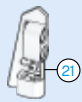
4x

49



4x

46



3x  
6114580



2x  
4208160



2x  
4118980



3x  
4585040

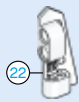


4x  
4249021



2x  
4495412

2x  
4542578



3x  
6114583



2x  
4118981



4x  
6003297



4x  
4173670



3x  
6100932



5x  
6015356



2x  
6133508



4x  
6133517



1x  
6013938



2x  
3005743



1x  
6133516



1x  
6130009



2x  
4142822



4x  
4120017



6x  
4142823



4x  
4184286



2x  
4111998



3x  
370626



2x  
370826



32x  
4121715



5x  
4140801



4x  
6073231



2x  
4164133



6x  
4173668



4x  
4218868



1x  
4107828



1x  
6007966



2x  
4112287



6x  
4142865



2x  
4650498



2x  
4206482



18x  
4514553



1x  
4163567



1x  
6143751



2x  
4211483



7x  
4211622



2x  
6004888



6x  
4211815



5x  
4211639



2x  
4211624

Customer Service

Kundenservice

Service Consommateurs

Servicio Al Consumidor

LEGO.com/service or dial



: 00800 5346 5555

: 1-800-422-5346



# TECHNIC



42046



42047







42046



42047



# TECHNIC

42048



42044



42045





42049

# LEGO® Building Instructions



Google Play is a trademark of Google Inc.  
Google Play est une marque de commerce de Google Inc.  
Google Play es una marca comercial de Google Inc.

Apple, the Apple logo, iPad, iPhone and iPod touch are trademarks of Apple Inc.  
Apple, le logo Apple, iPad, iPhone et iPod touch sont des marques de commerce d'Apple Inc.  
Apple, el logotipo de Apple, iPad, iPhone e iPod touch son marcas comerciales de Apple Inc.

