



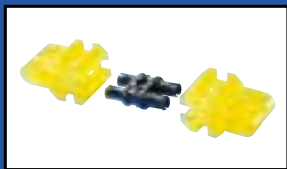
Technic

8253



4124833





..... 3



..... 8



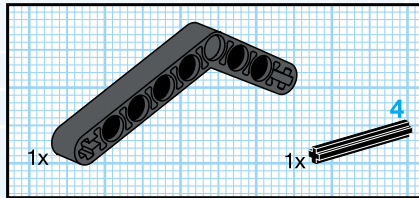
..... 21



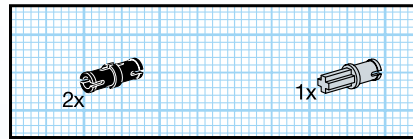
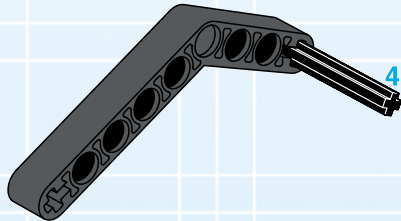
..... 27



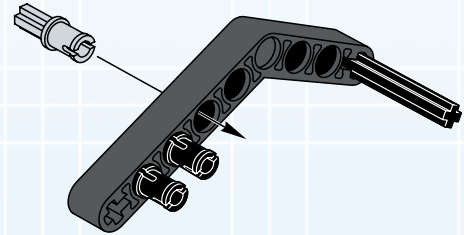
..... 40

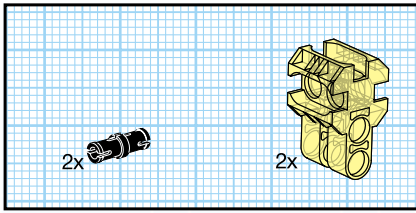


1

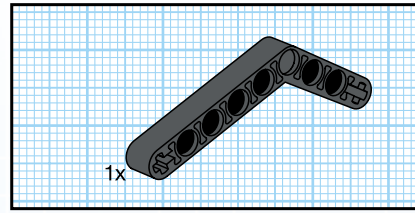
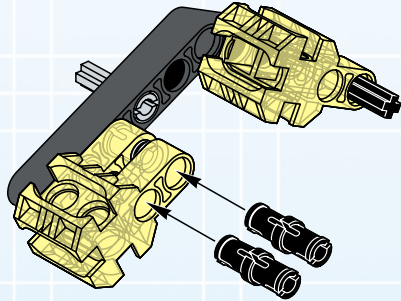


2

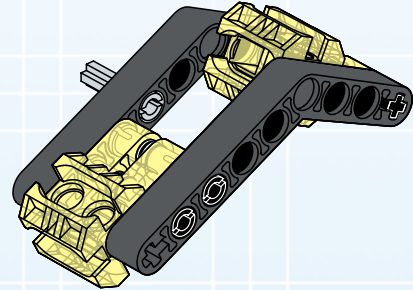


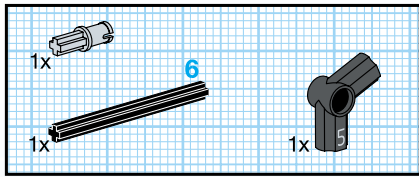


3

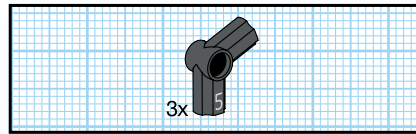
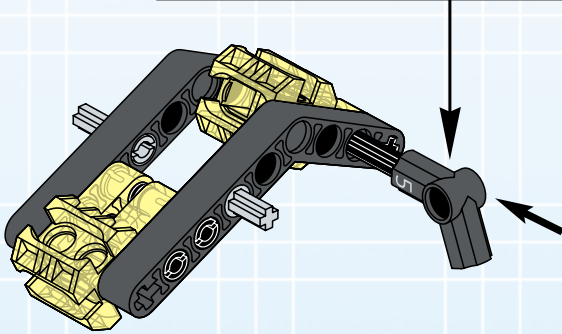
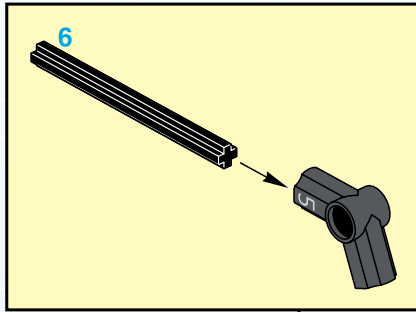


4

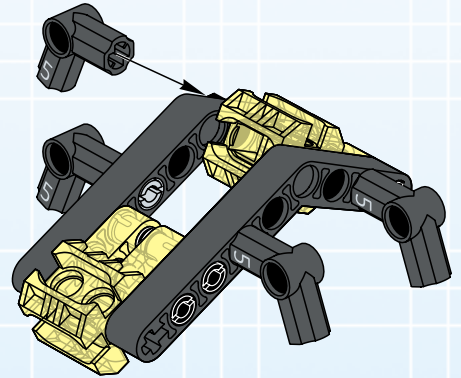


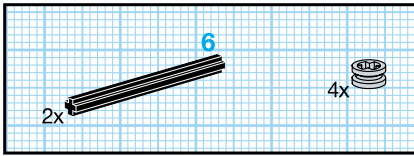


5

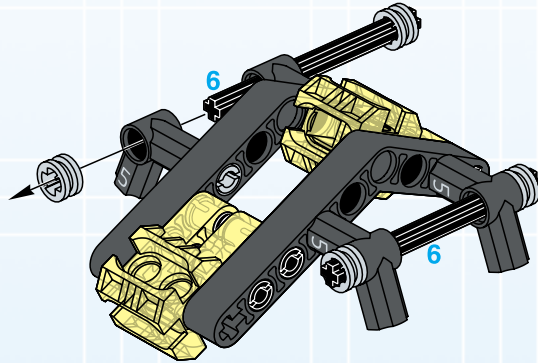


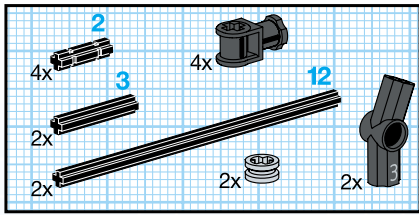
6



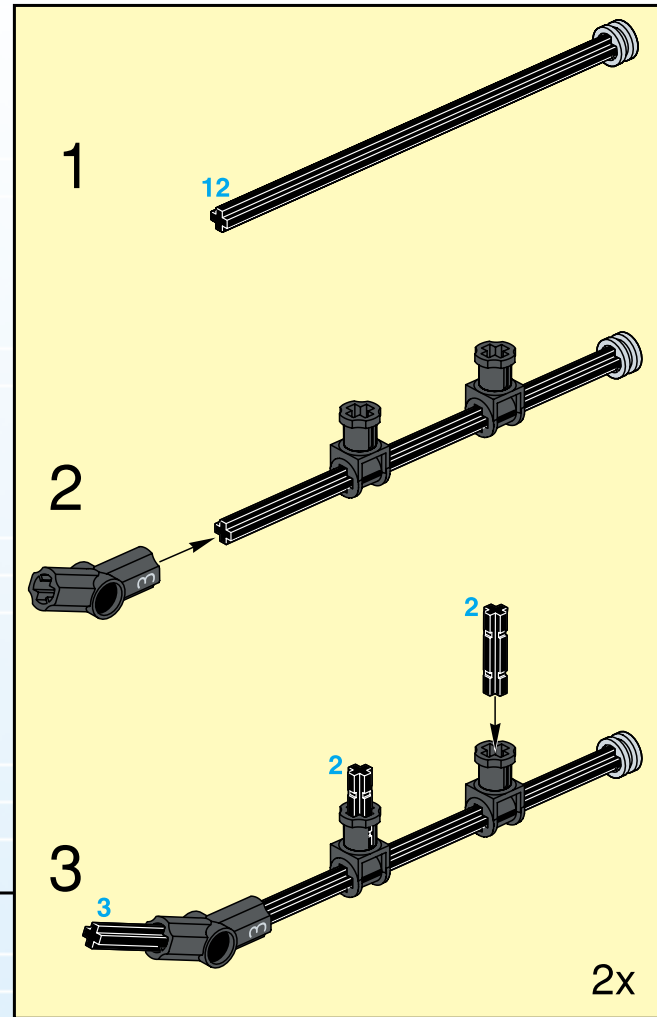
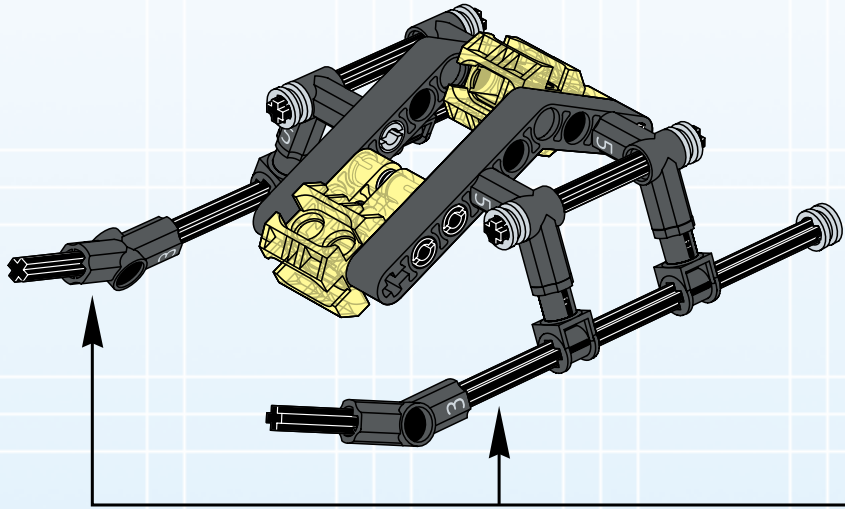


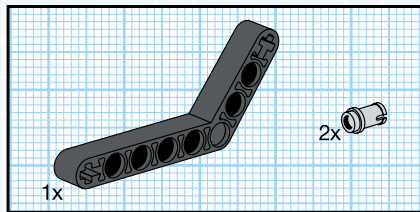
7



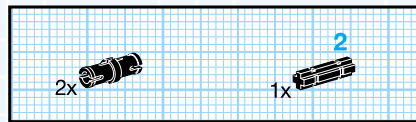
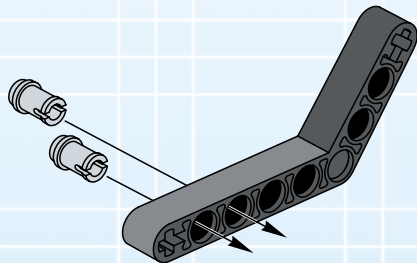


8

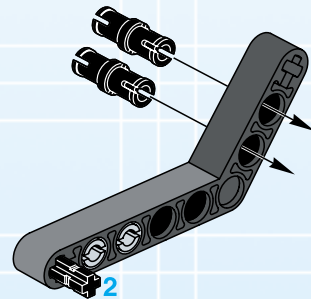


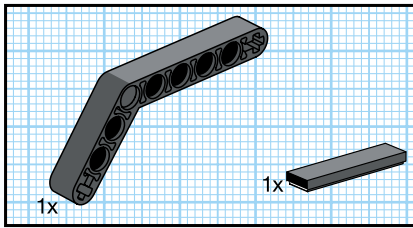


1

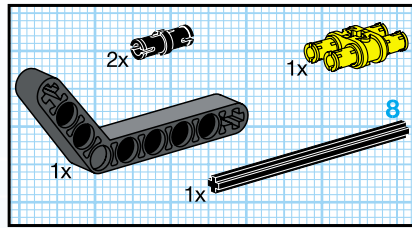
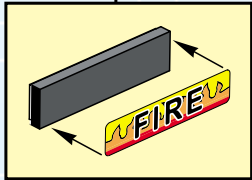
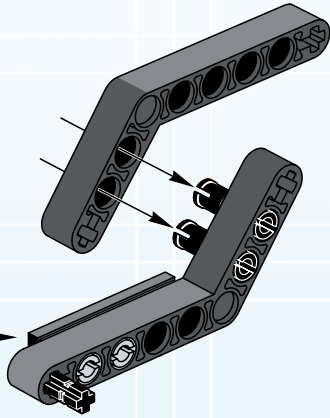


2

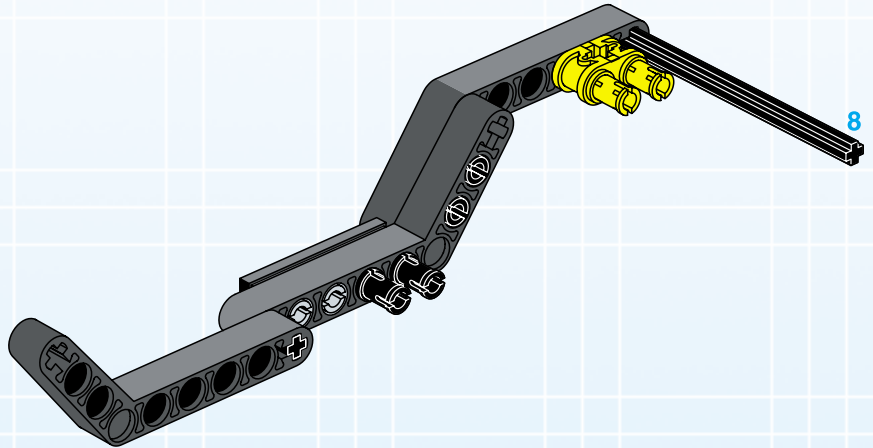


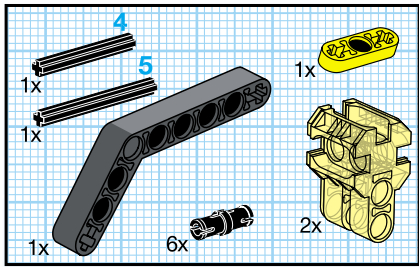


3

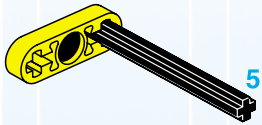


4

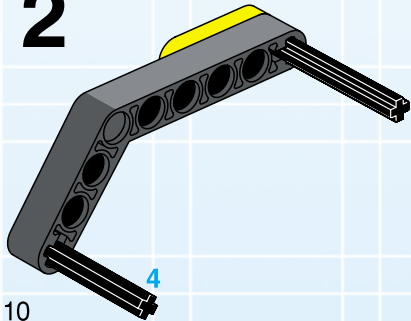




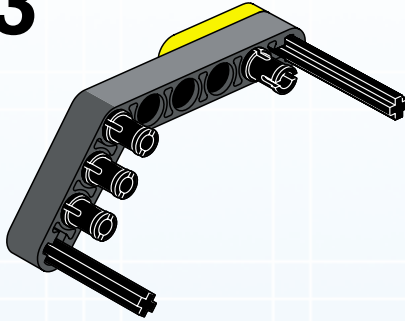
1



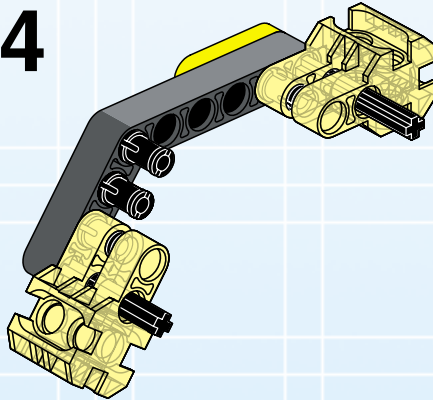
2



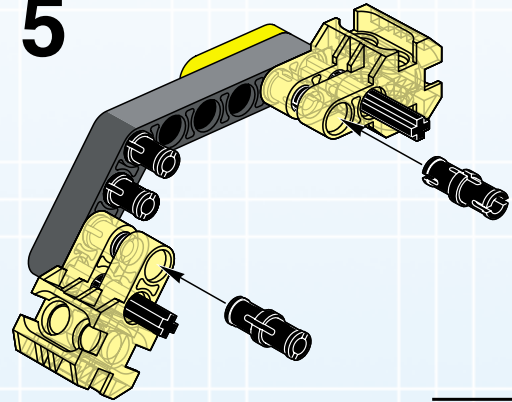
3



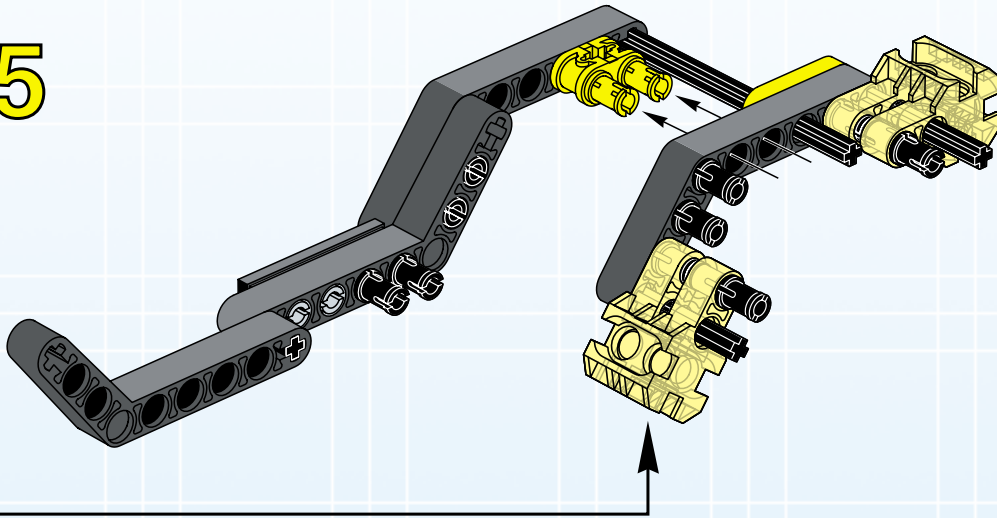
4

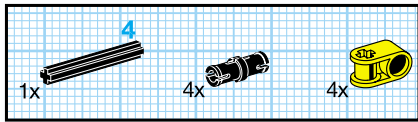


5

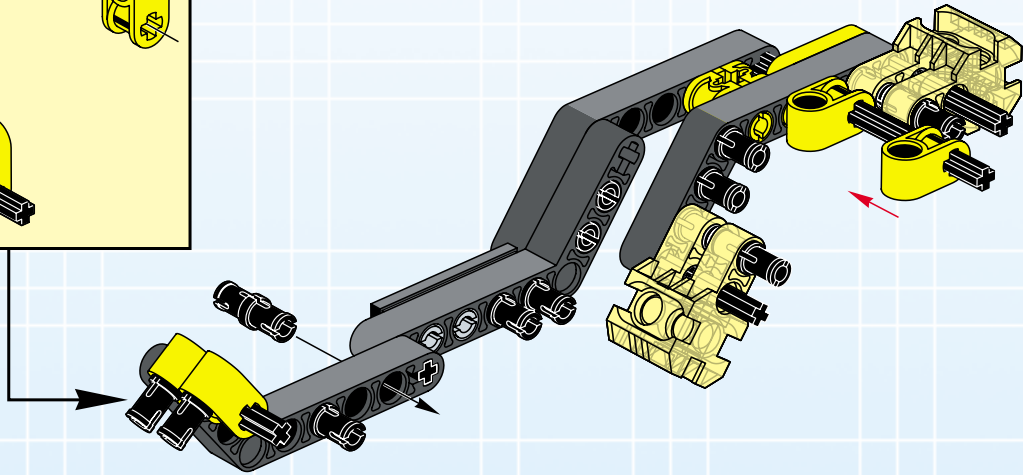
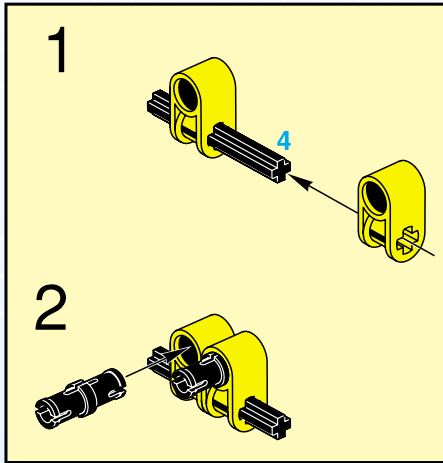


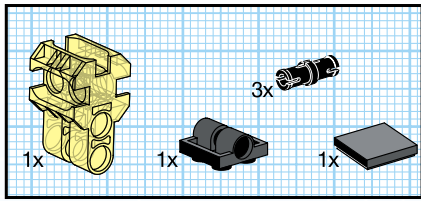
5



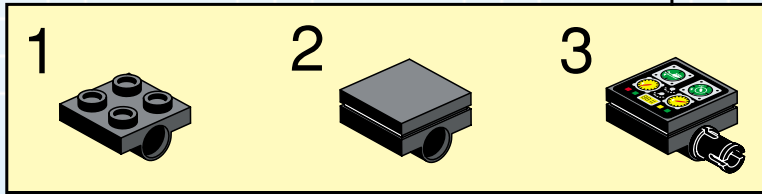
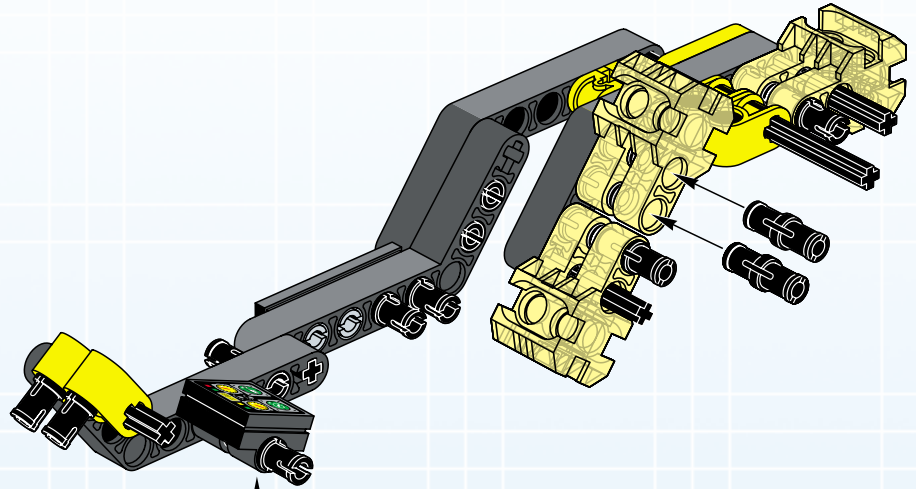


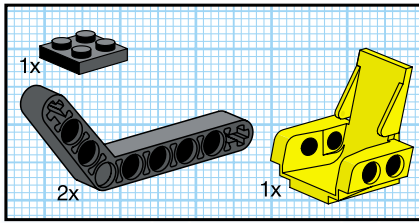
6



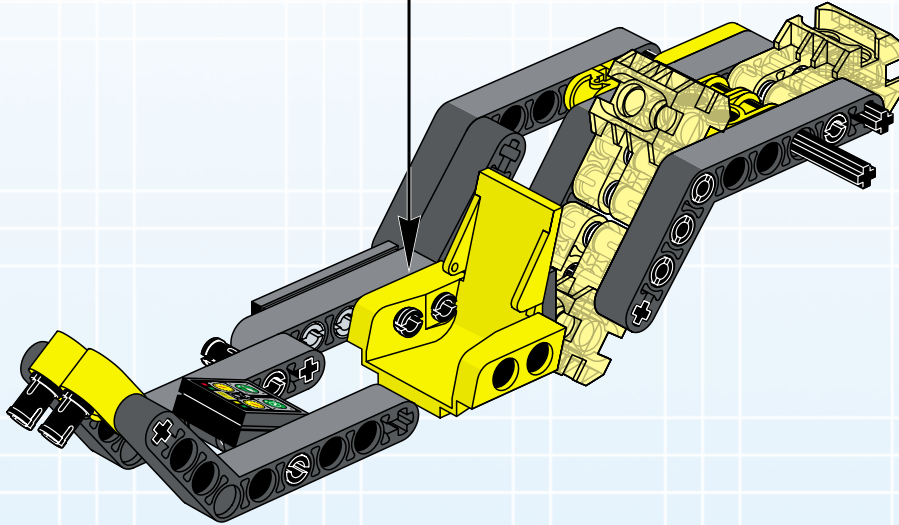
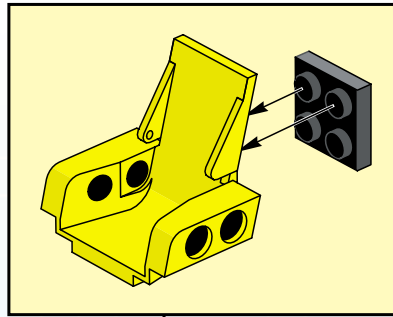


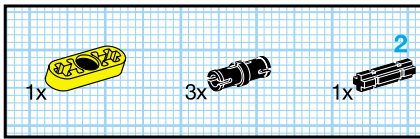
7



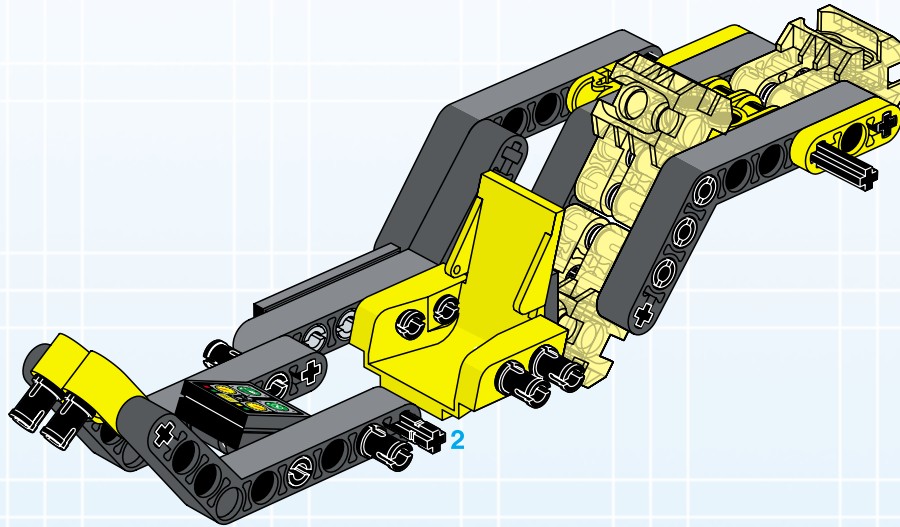


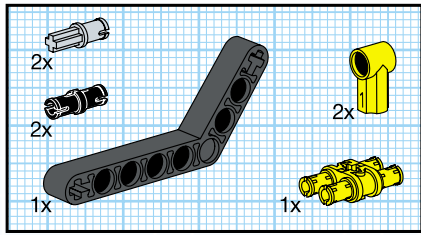
8



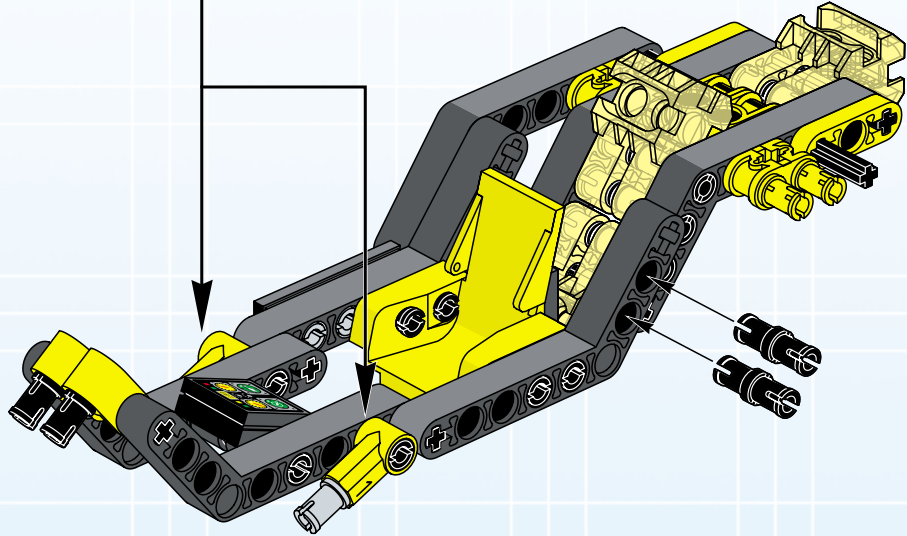
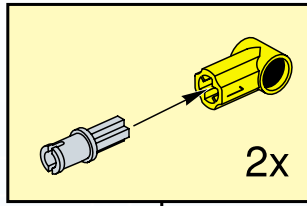


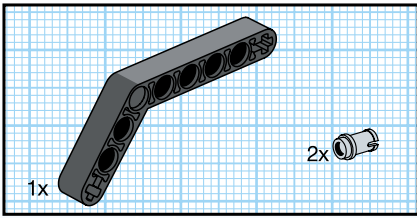
9



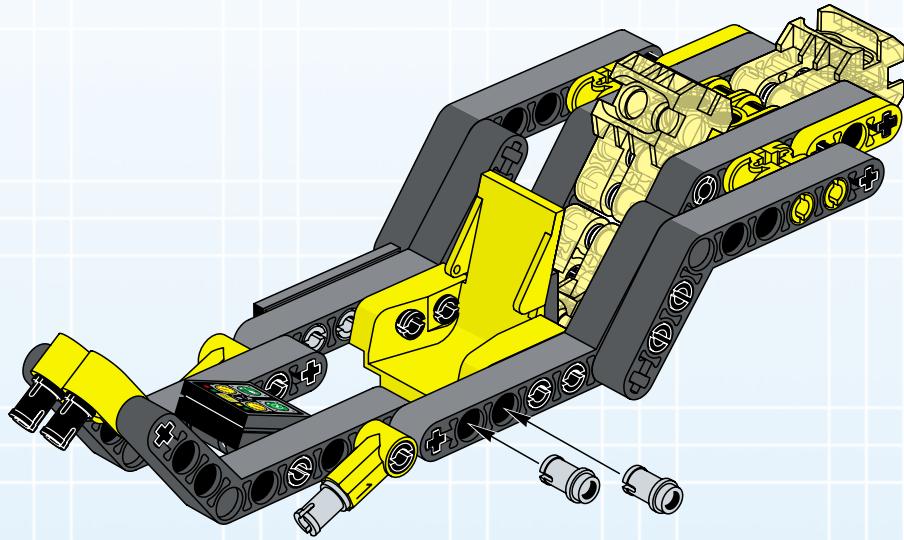


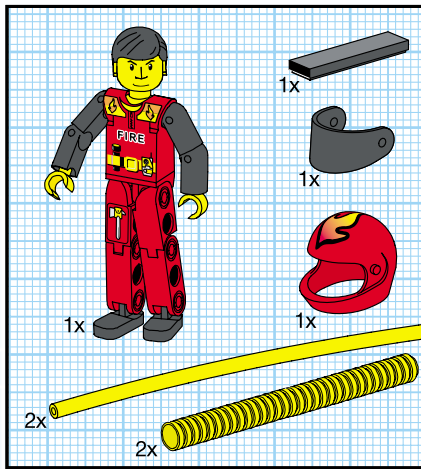
10



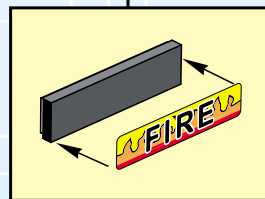
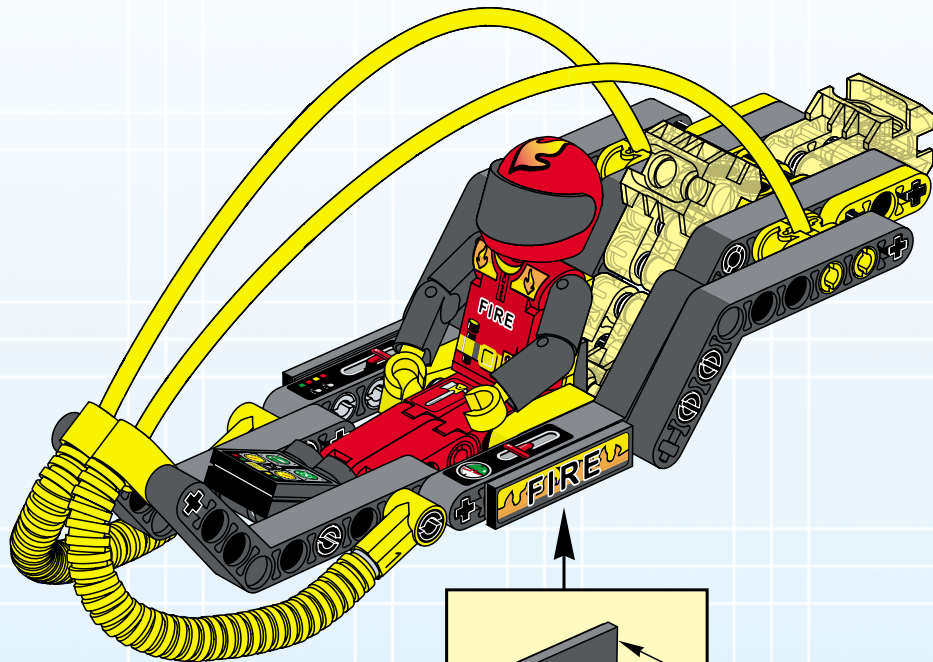


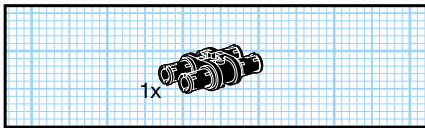
11



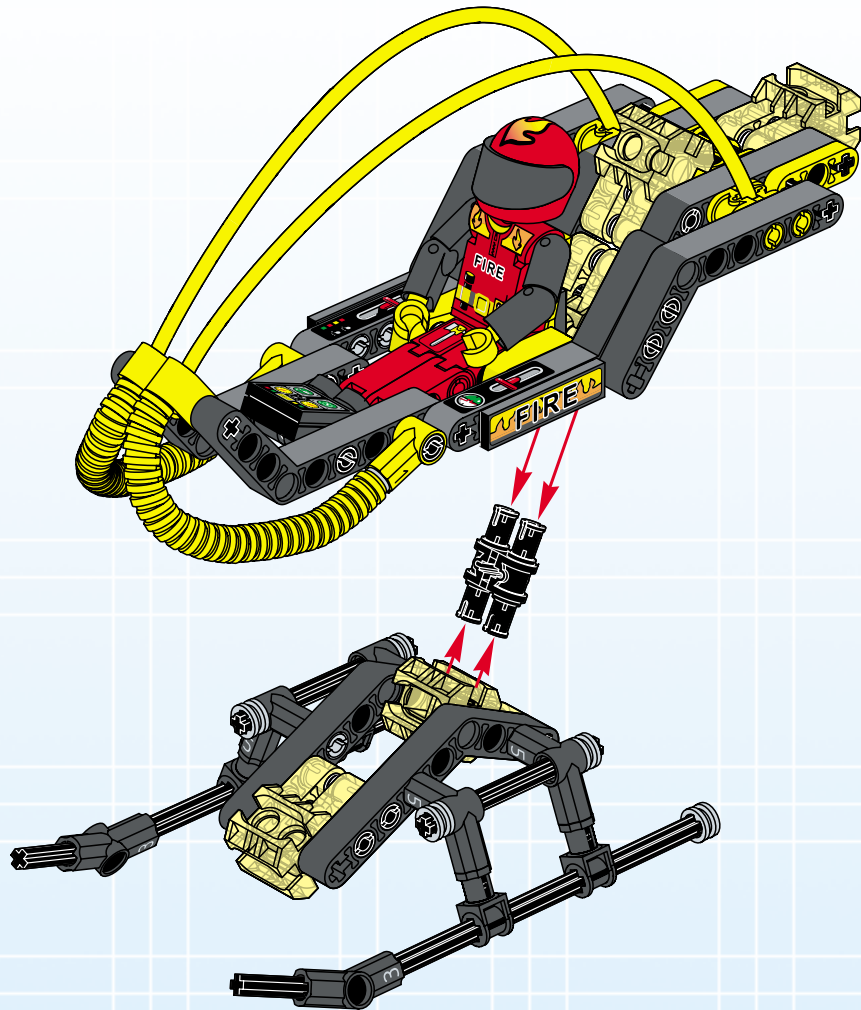


12

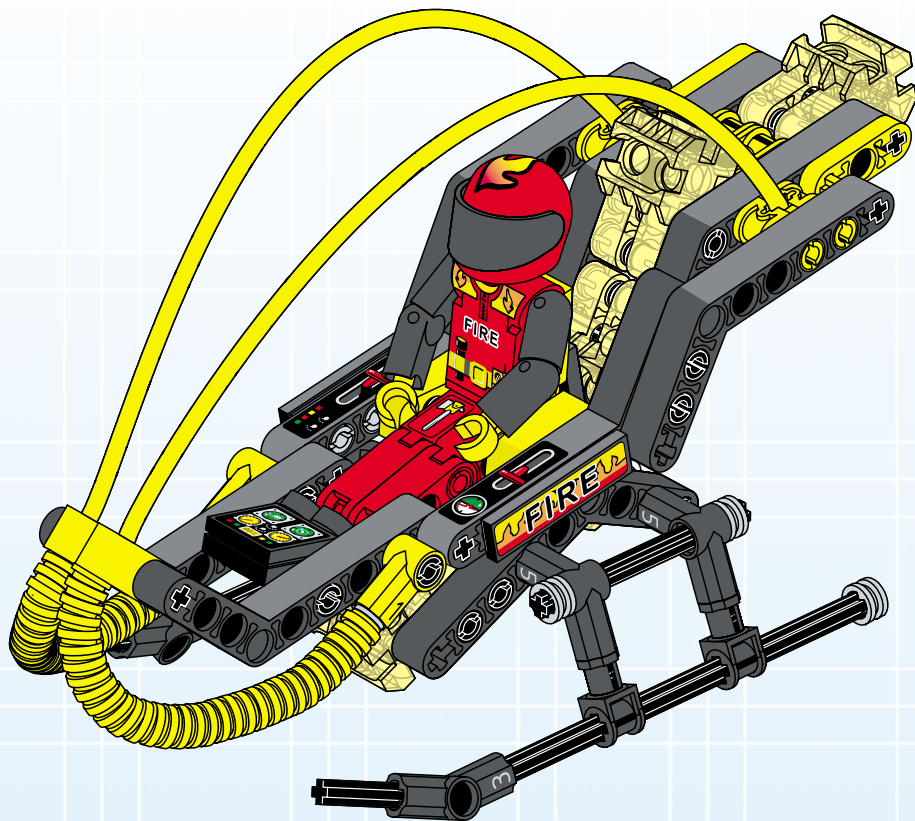


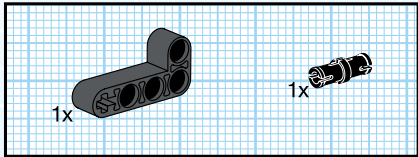


13

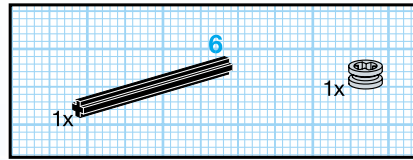
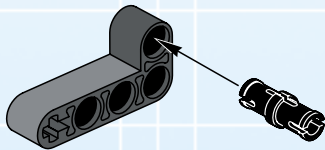


14

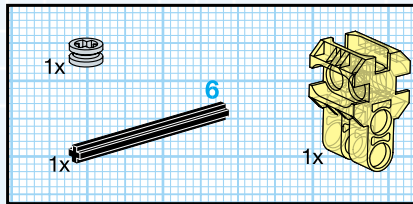
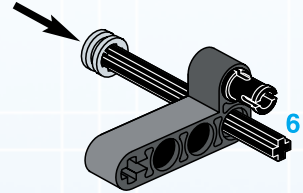




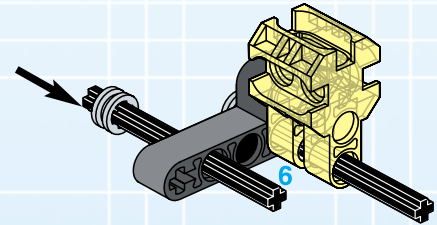
1

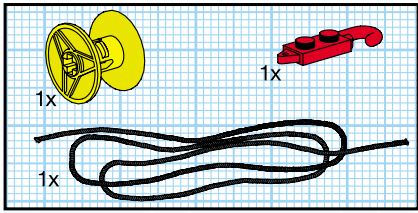


2

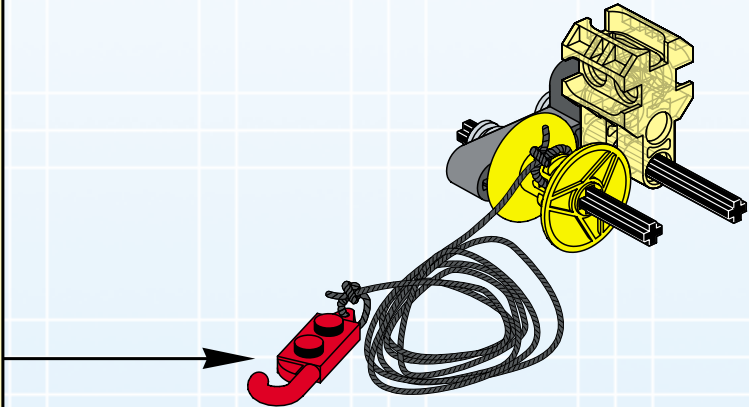
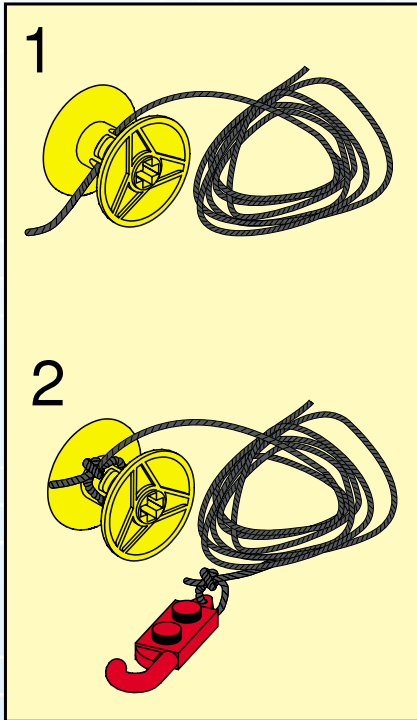


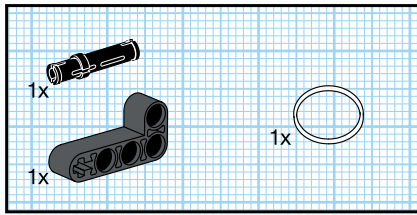
3



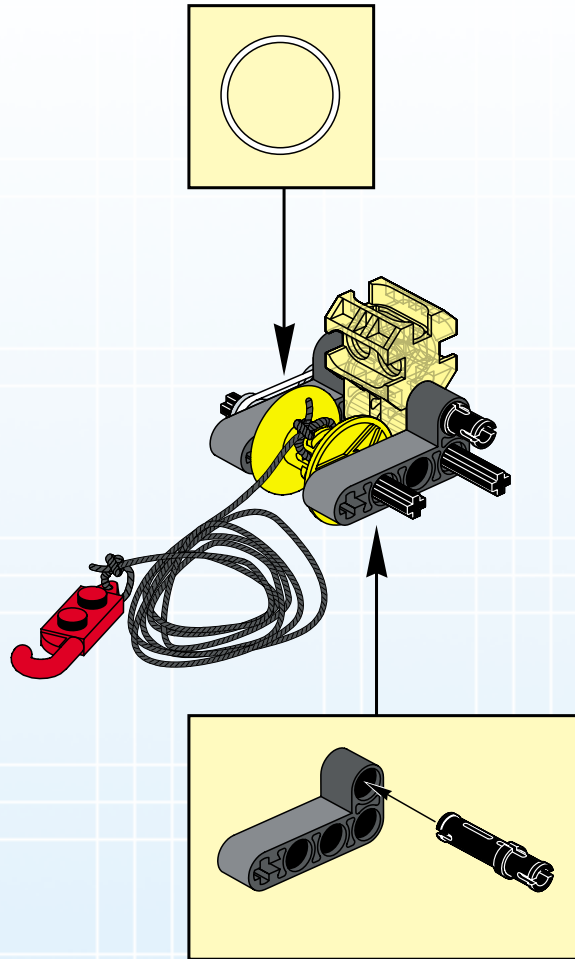


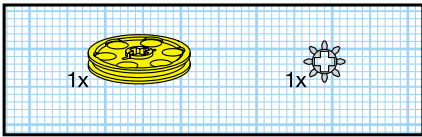
4



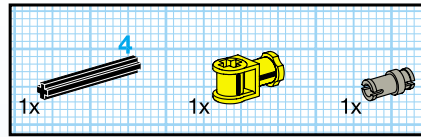
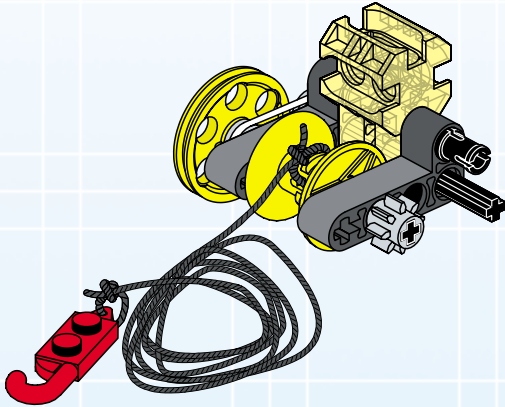


5

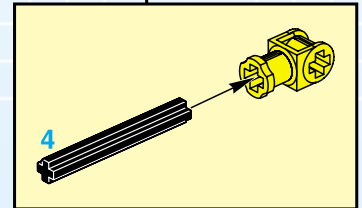
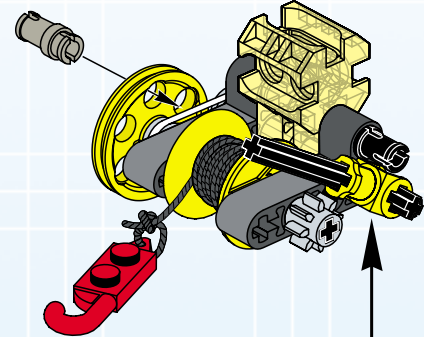


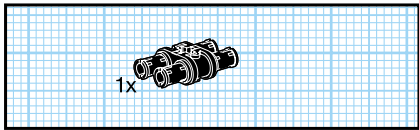


6

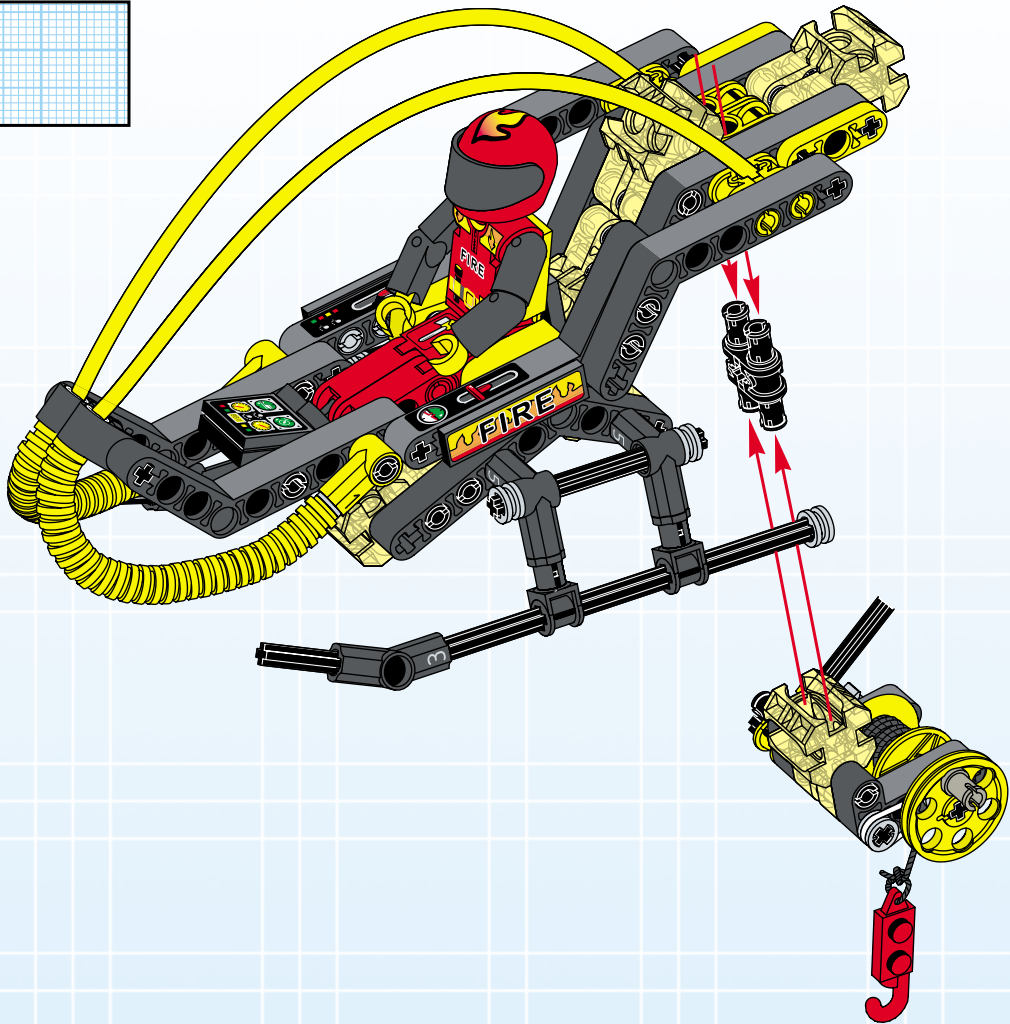


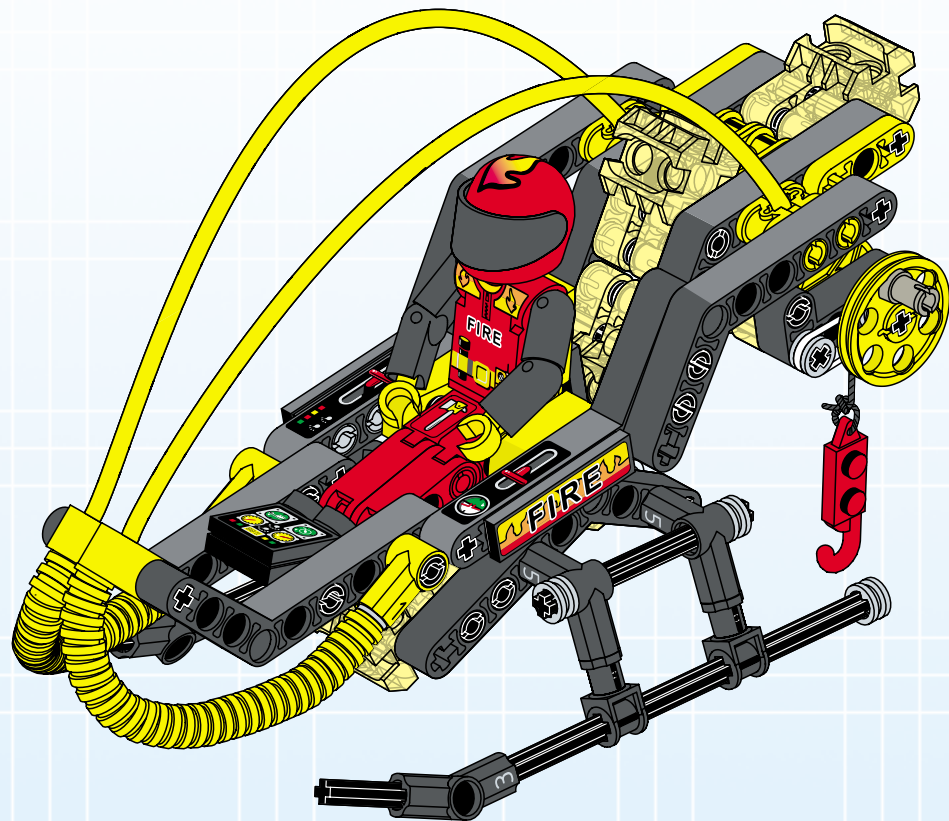
7

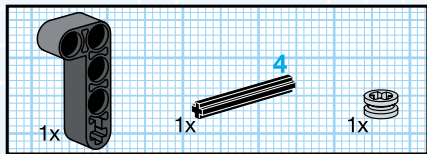




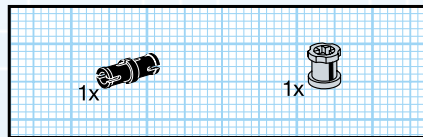
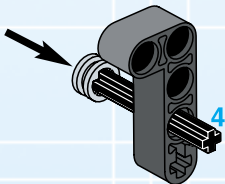
8



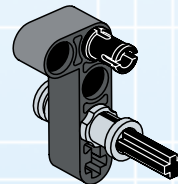


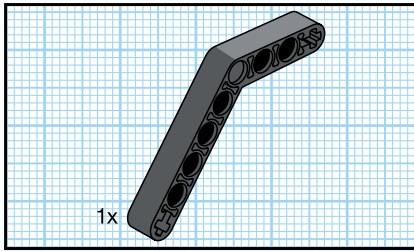


1

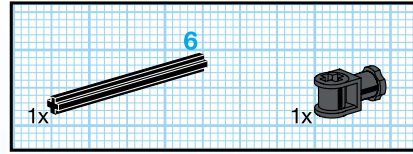
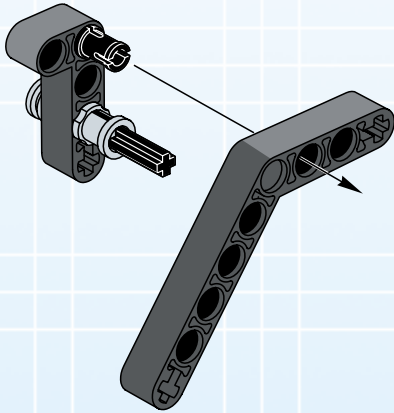


2

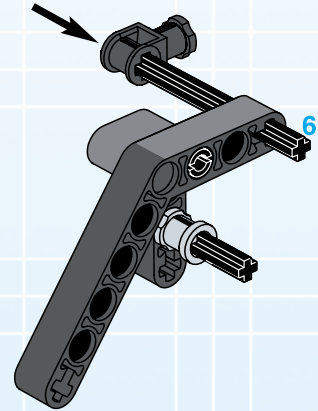


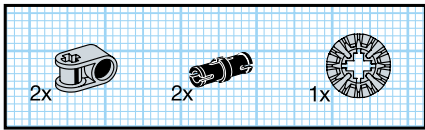


3

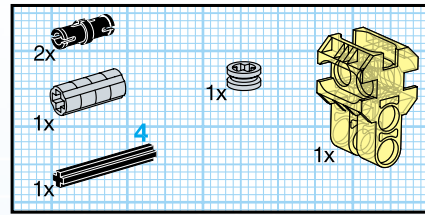
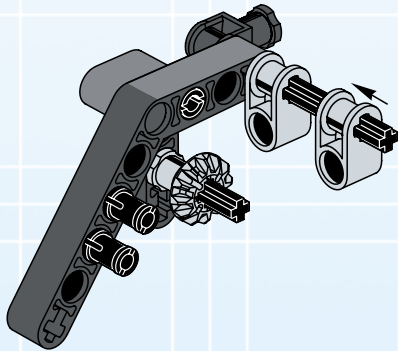


4

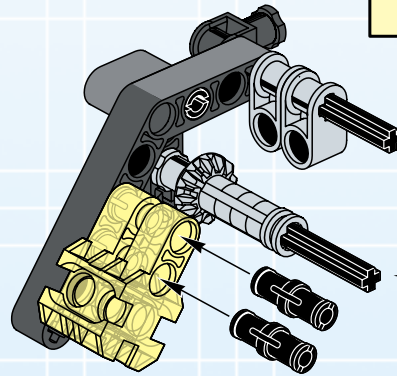
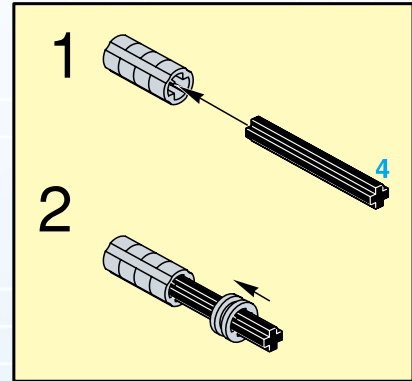


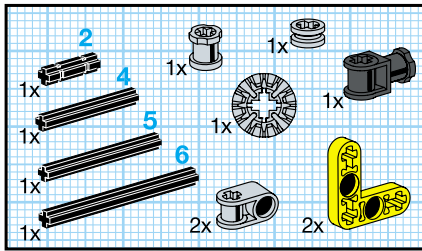


5

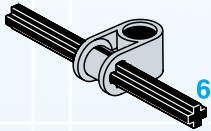


6

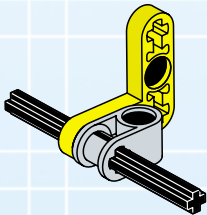




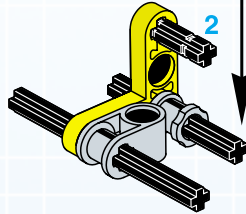
1



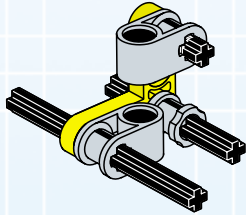
2



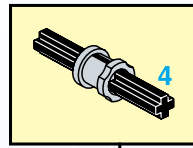
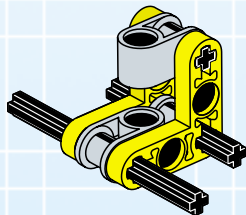
3



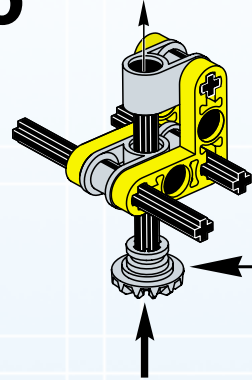
4



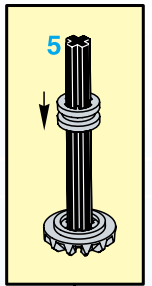
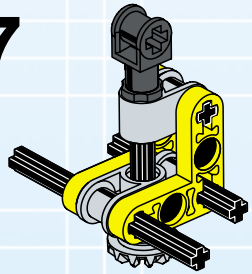
5



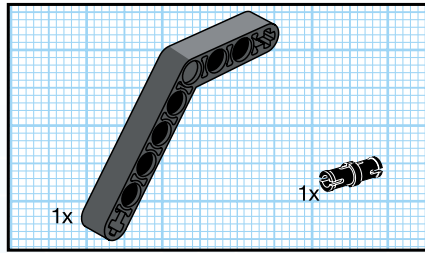
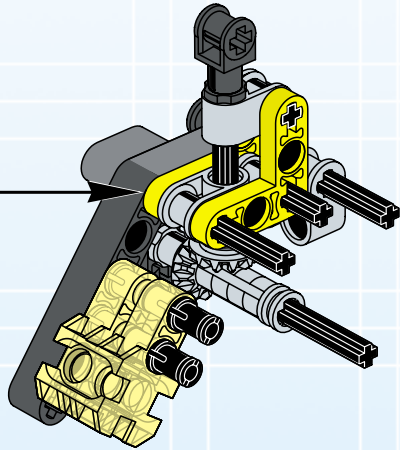
6



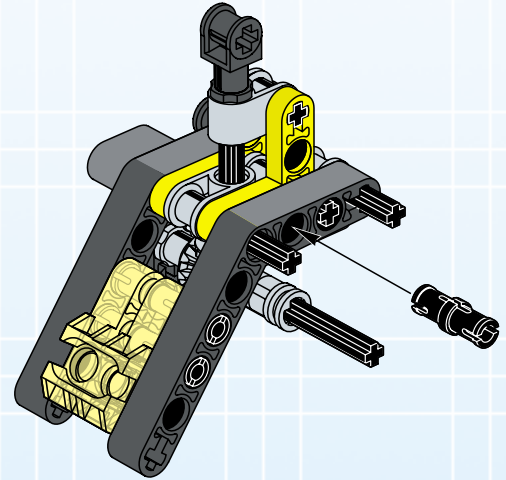
7

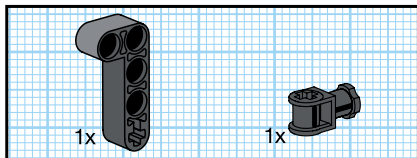


7

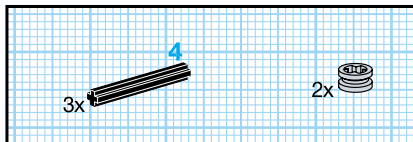
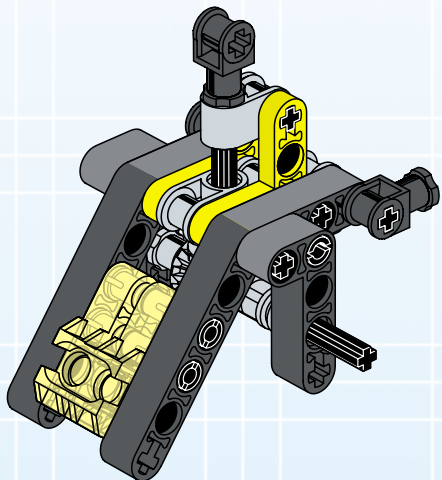


8

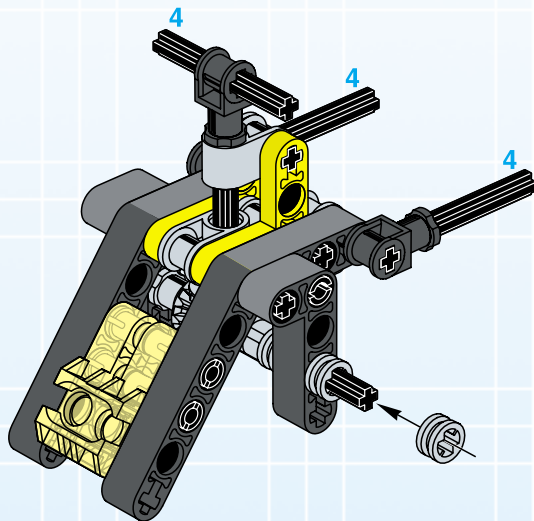


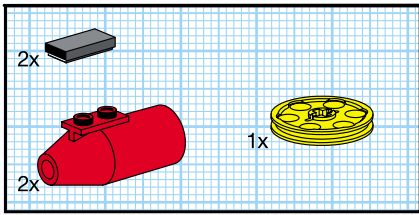


9

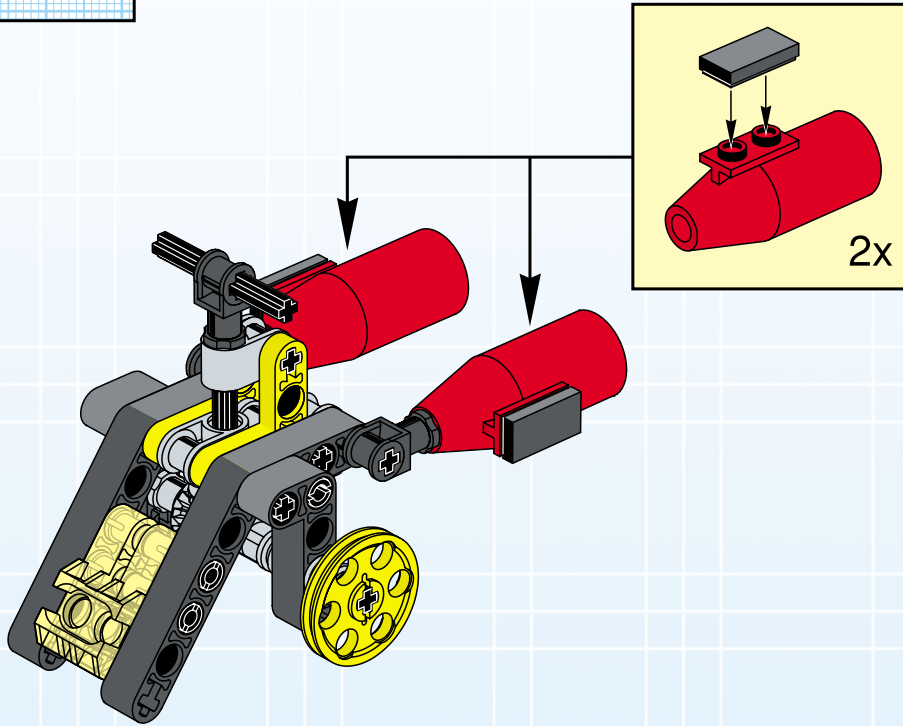


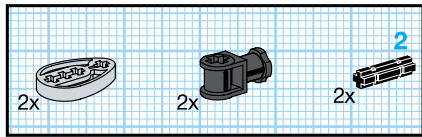
10



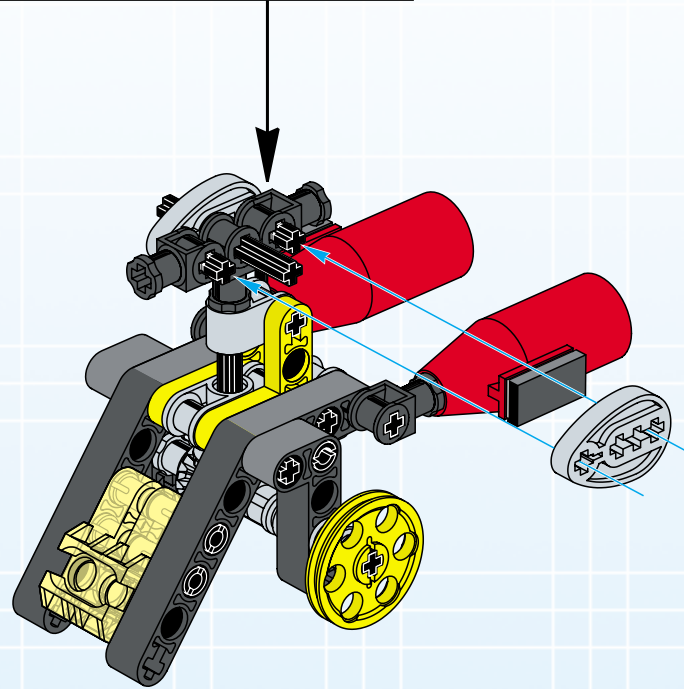
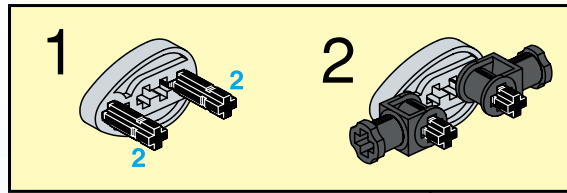


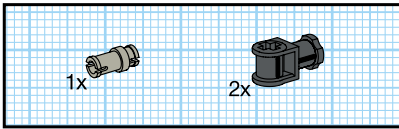
11



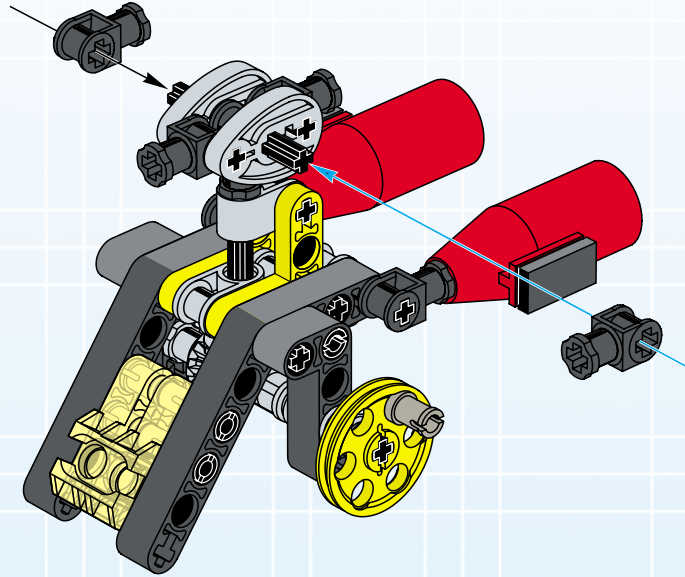


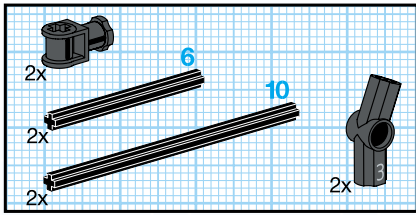
12



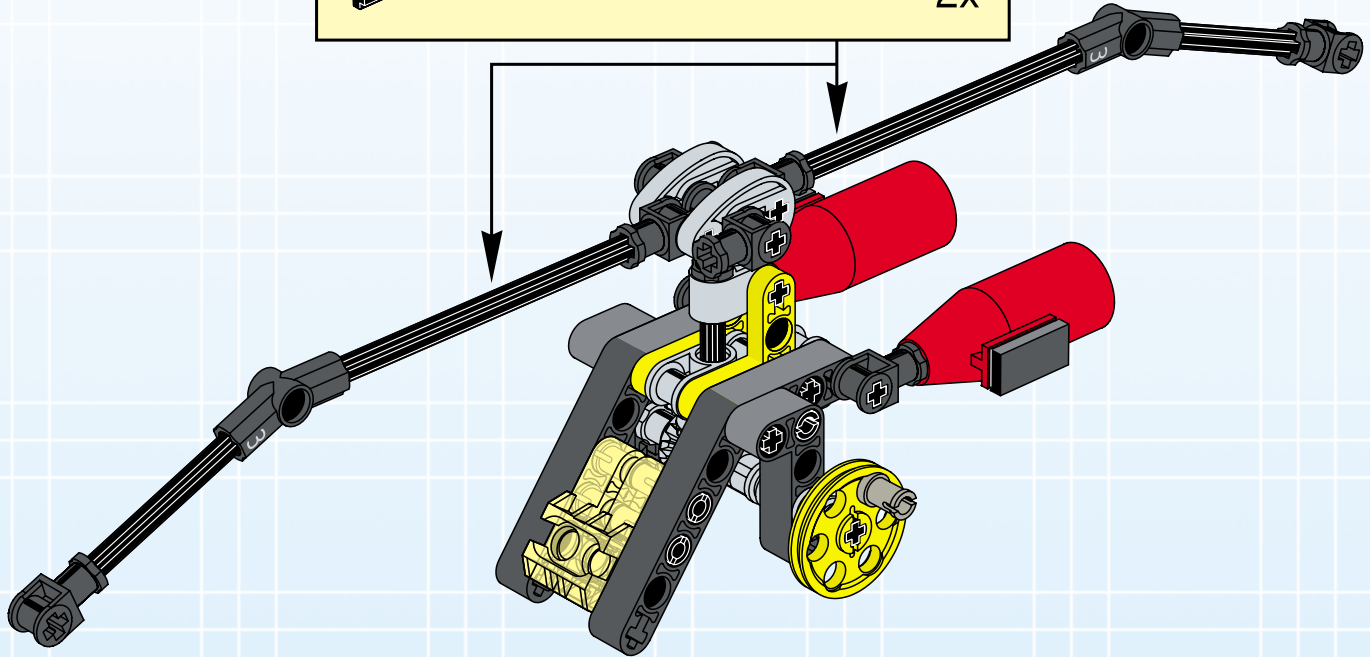
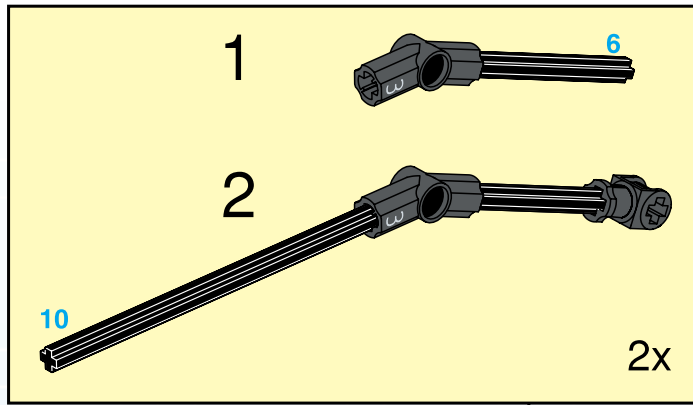


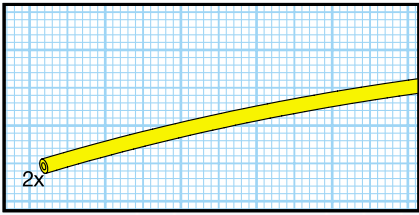
13



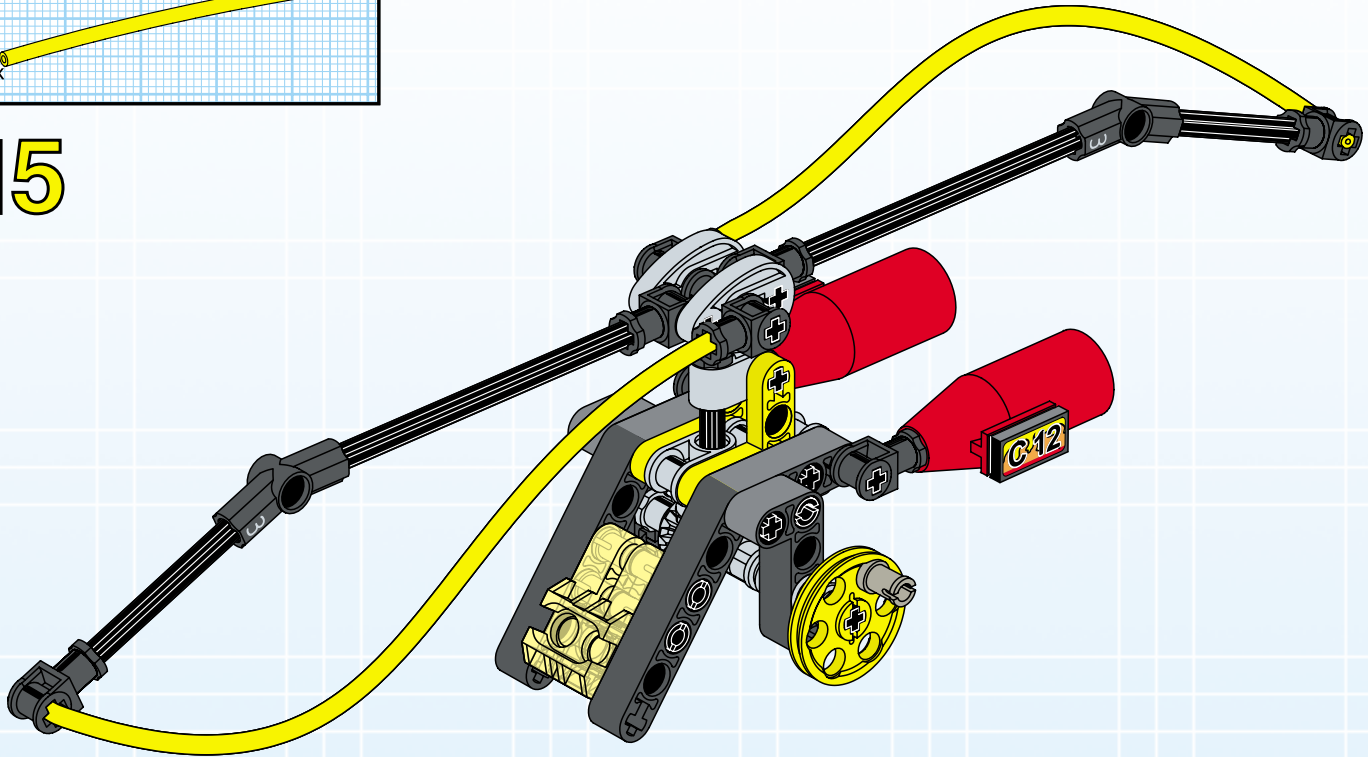


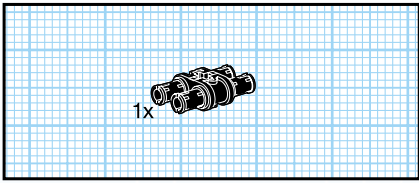
14



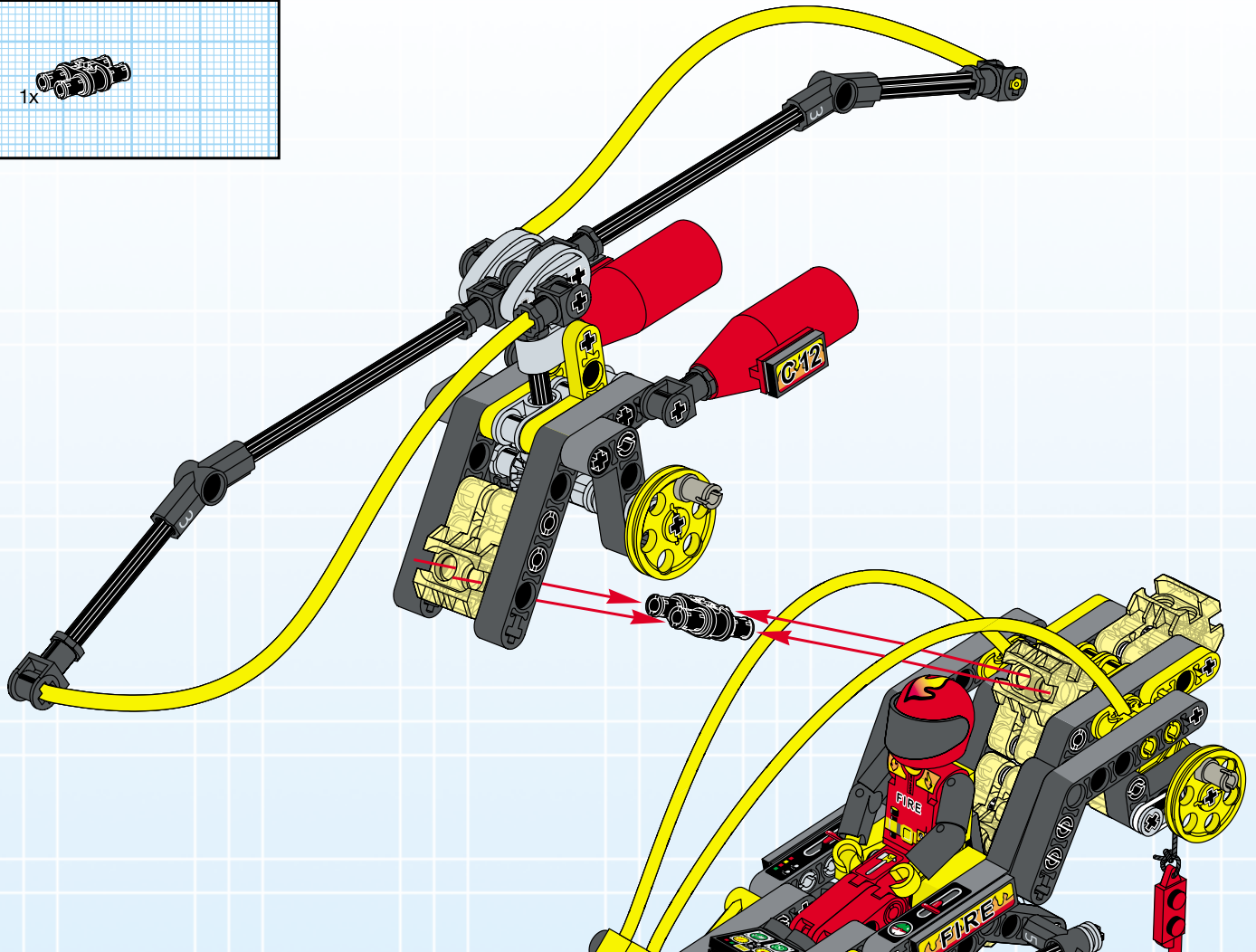


15

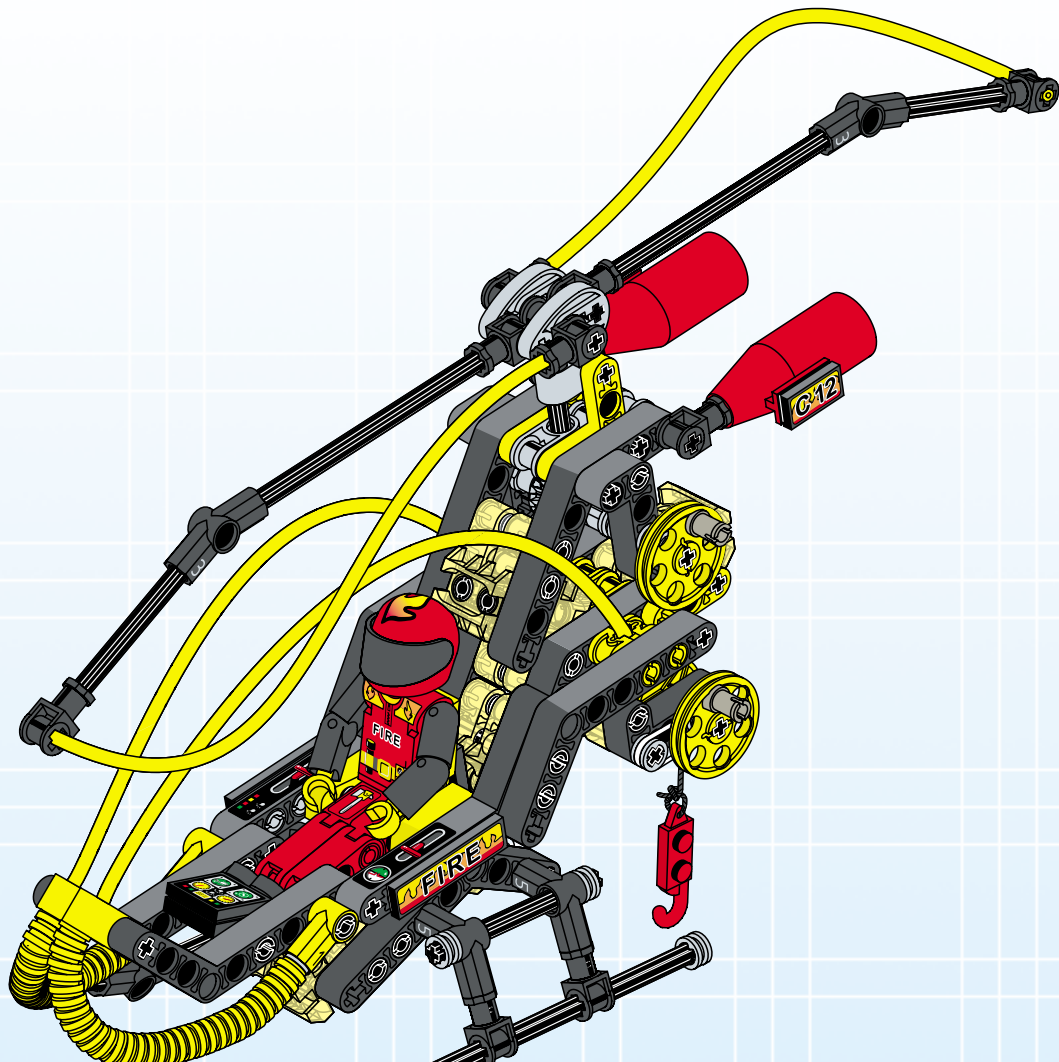


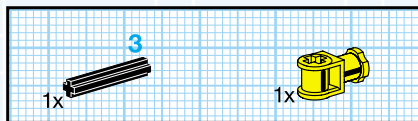


16

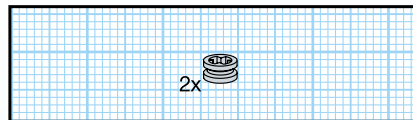
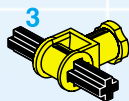


17

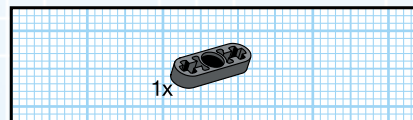
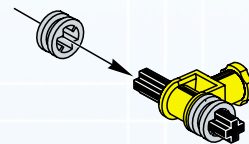




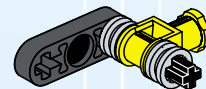
1

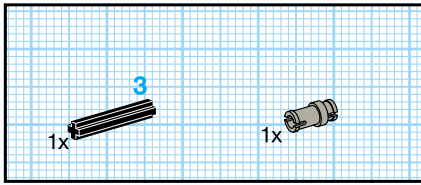


2

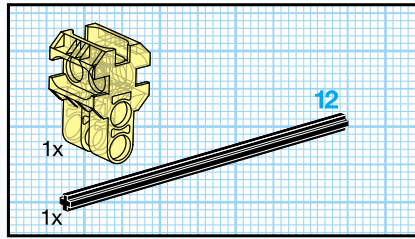
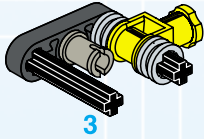


3

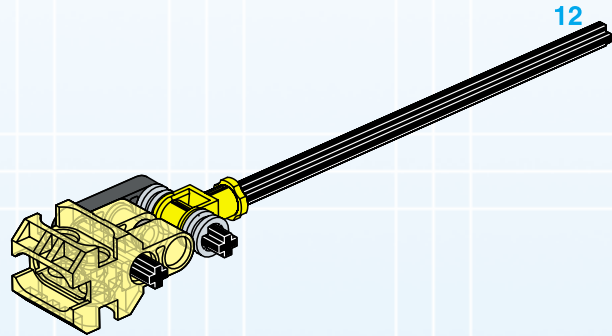


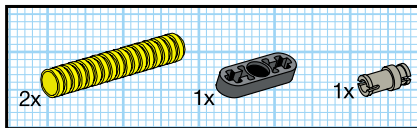


4

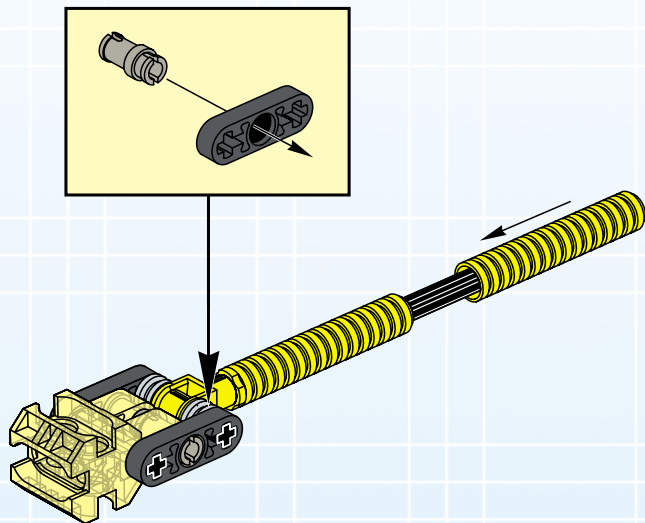


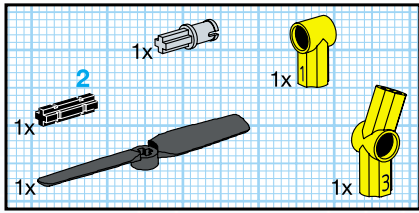
5



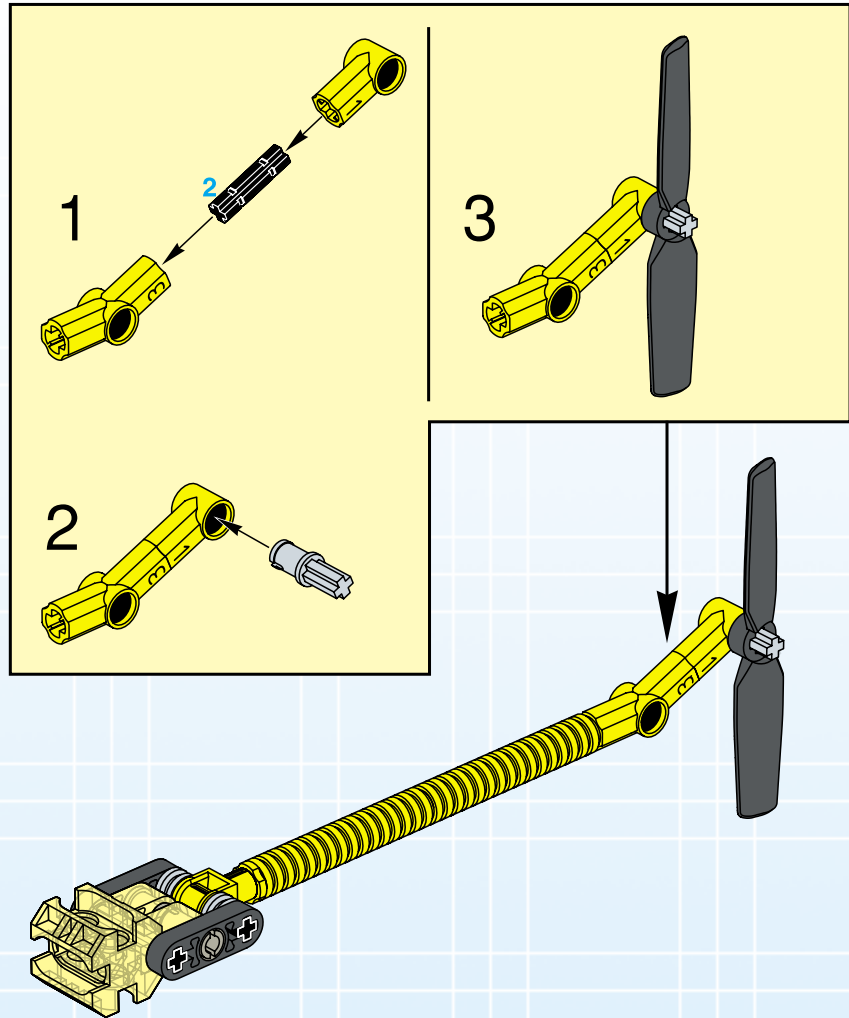


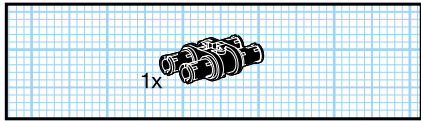
6



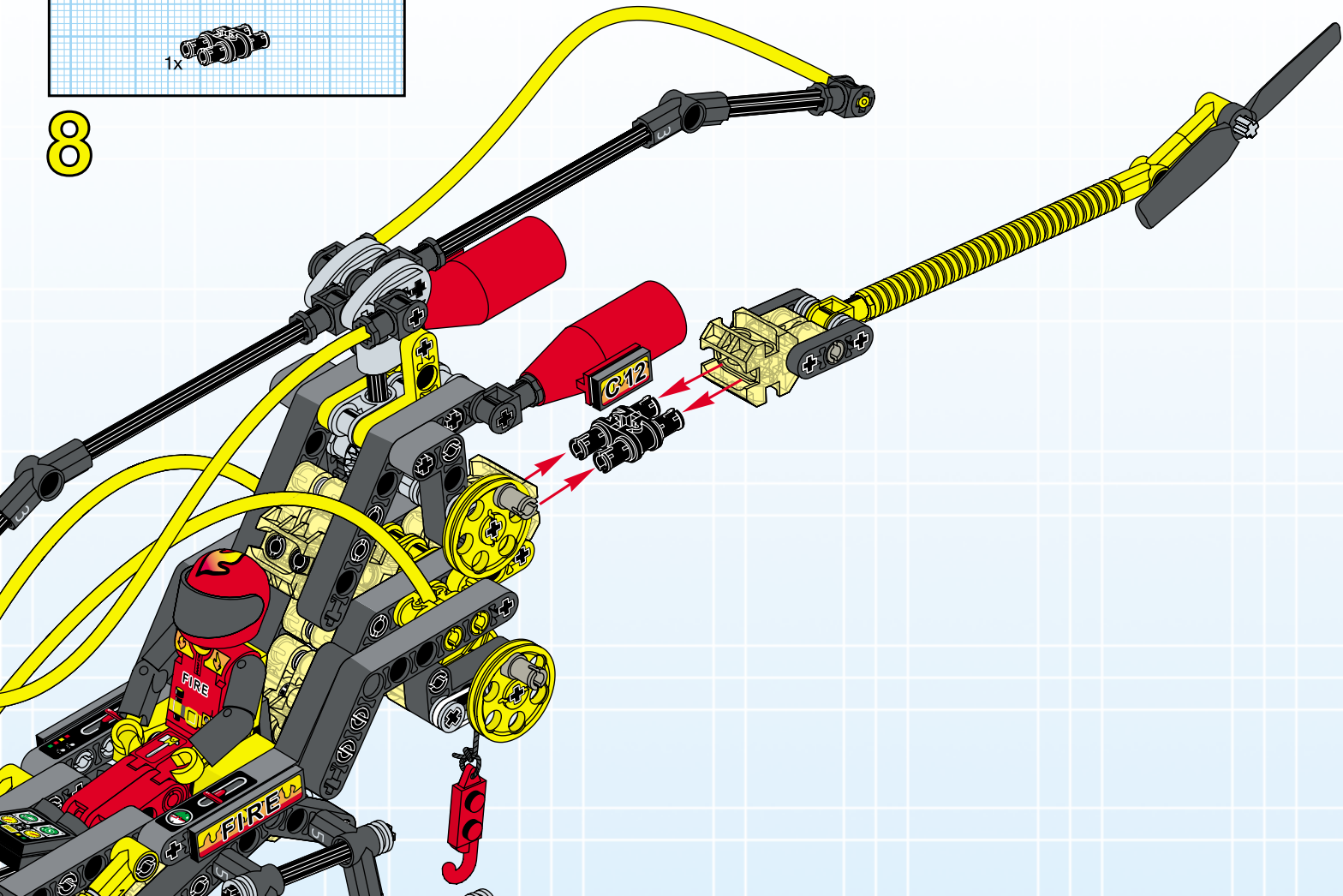


7

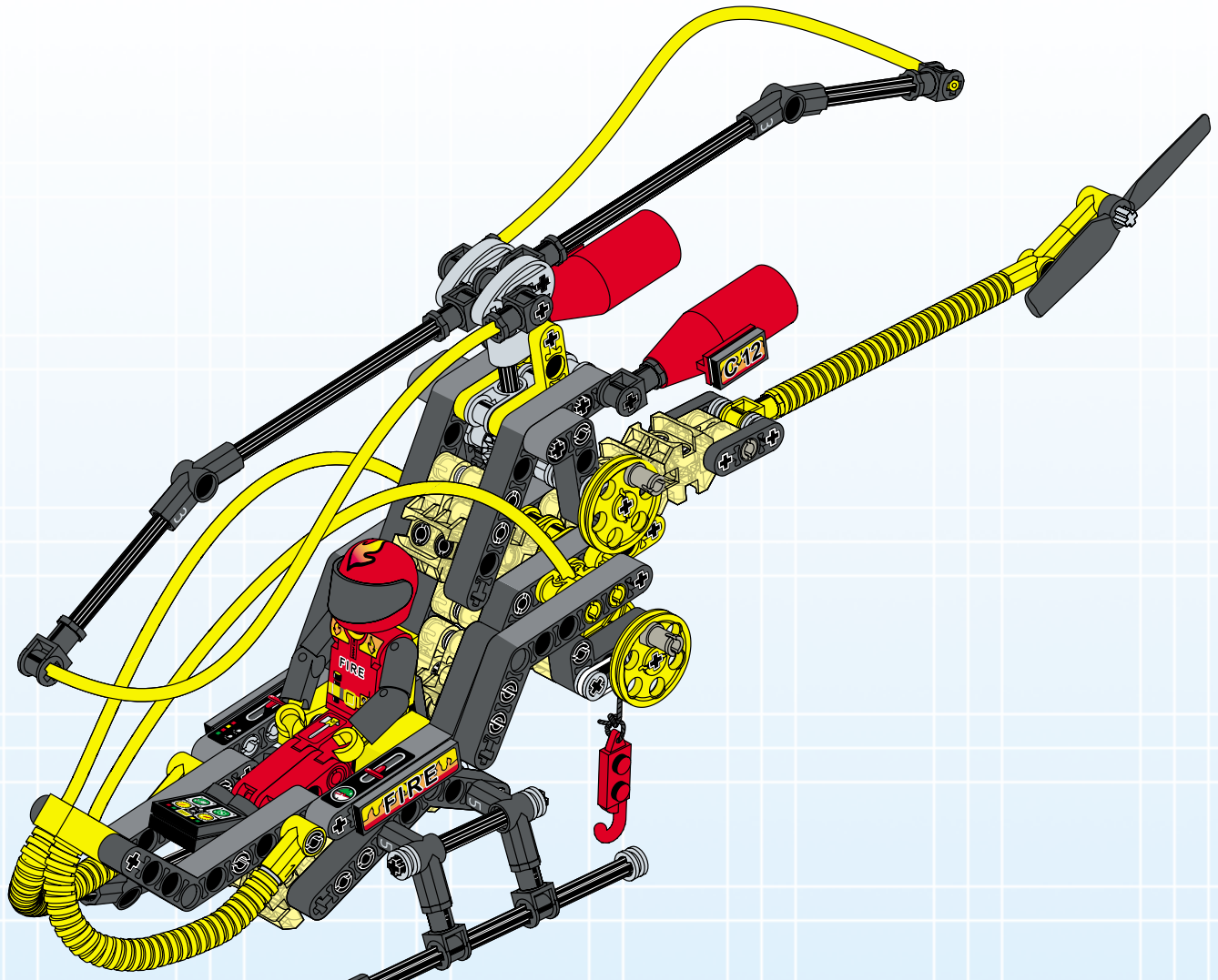




8



9



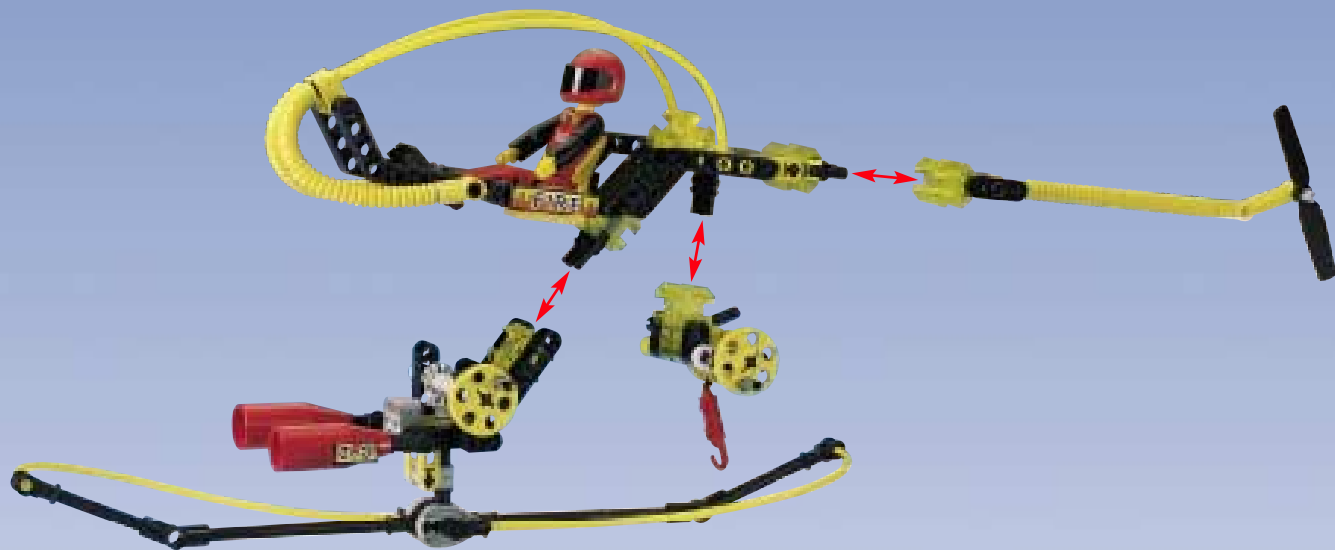
1



2

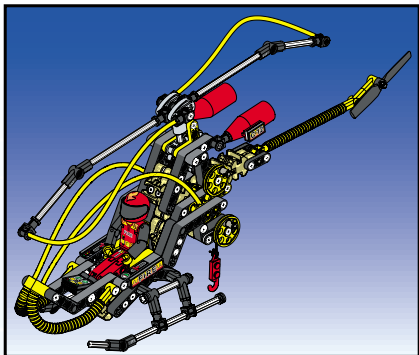


1



2

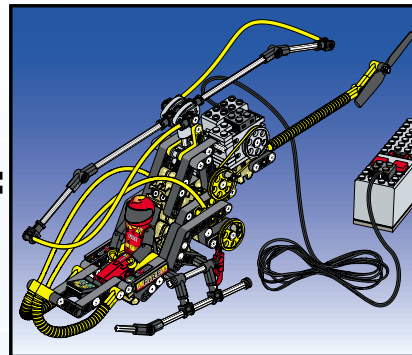




+



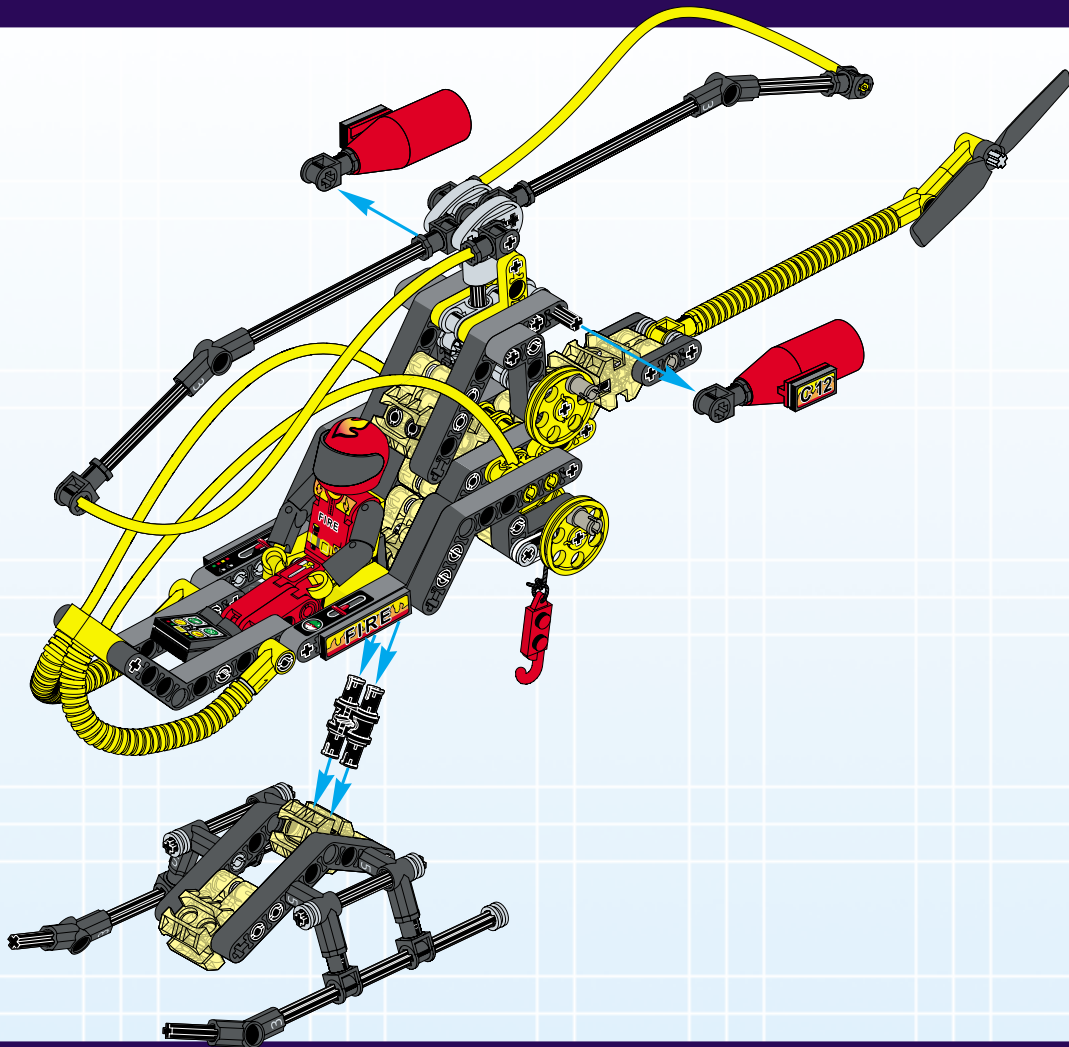
=



8253+8735

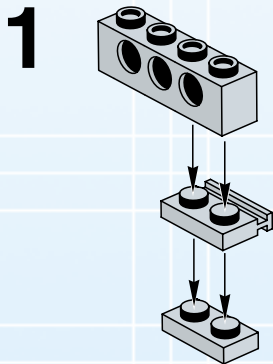
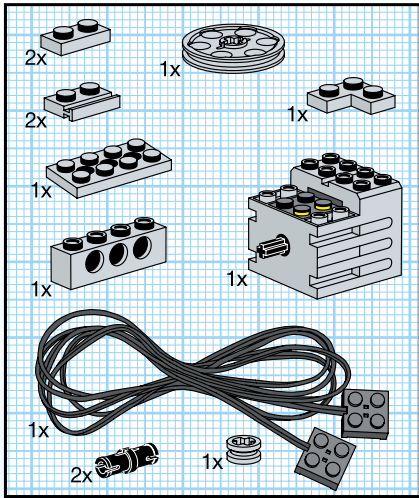


1

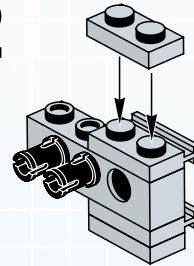


8253+8735

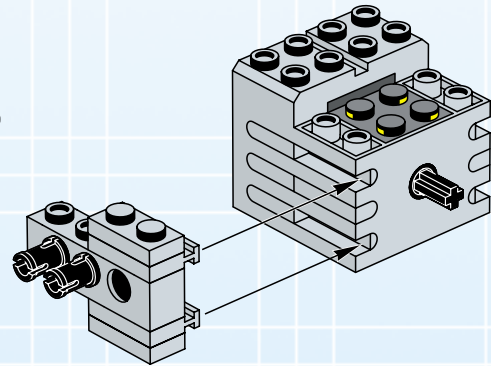
8253+8735



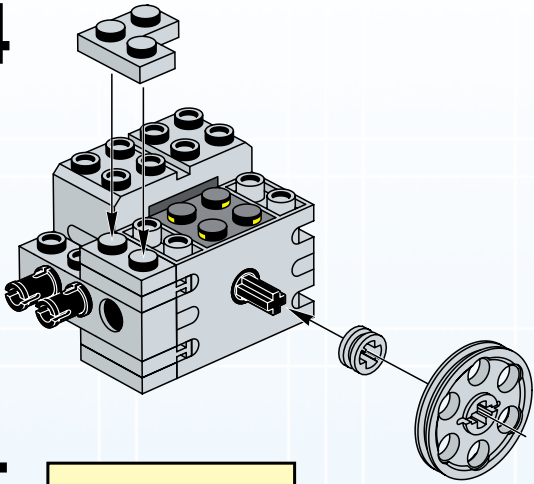
2



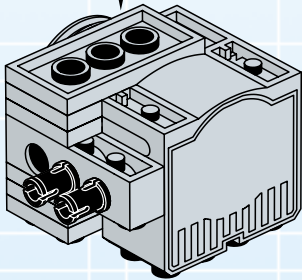
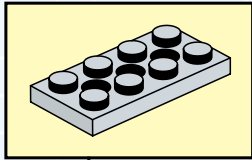
3



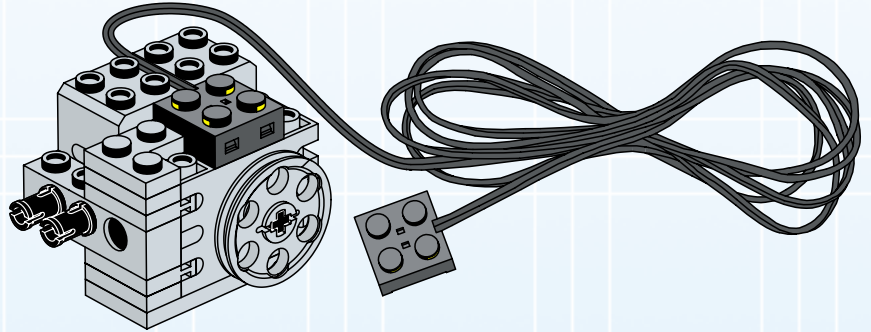
4



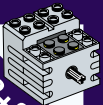
5

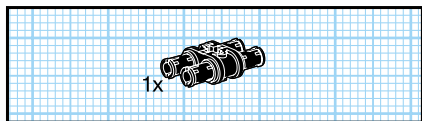


6

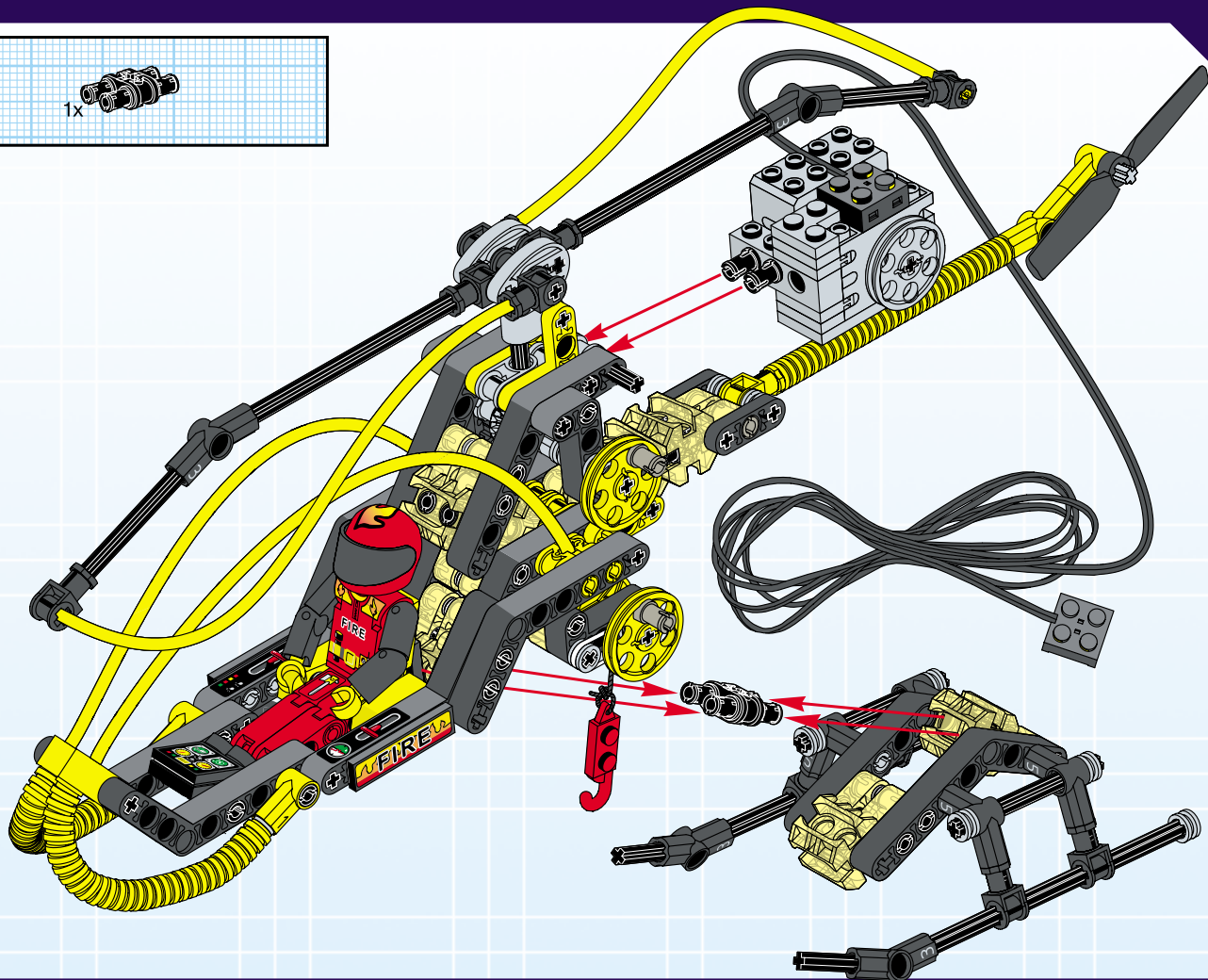


8253+8735

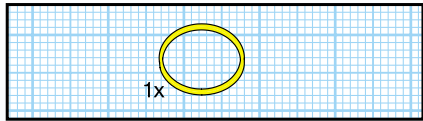




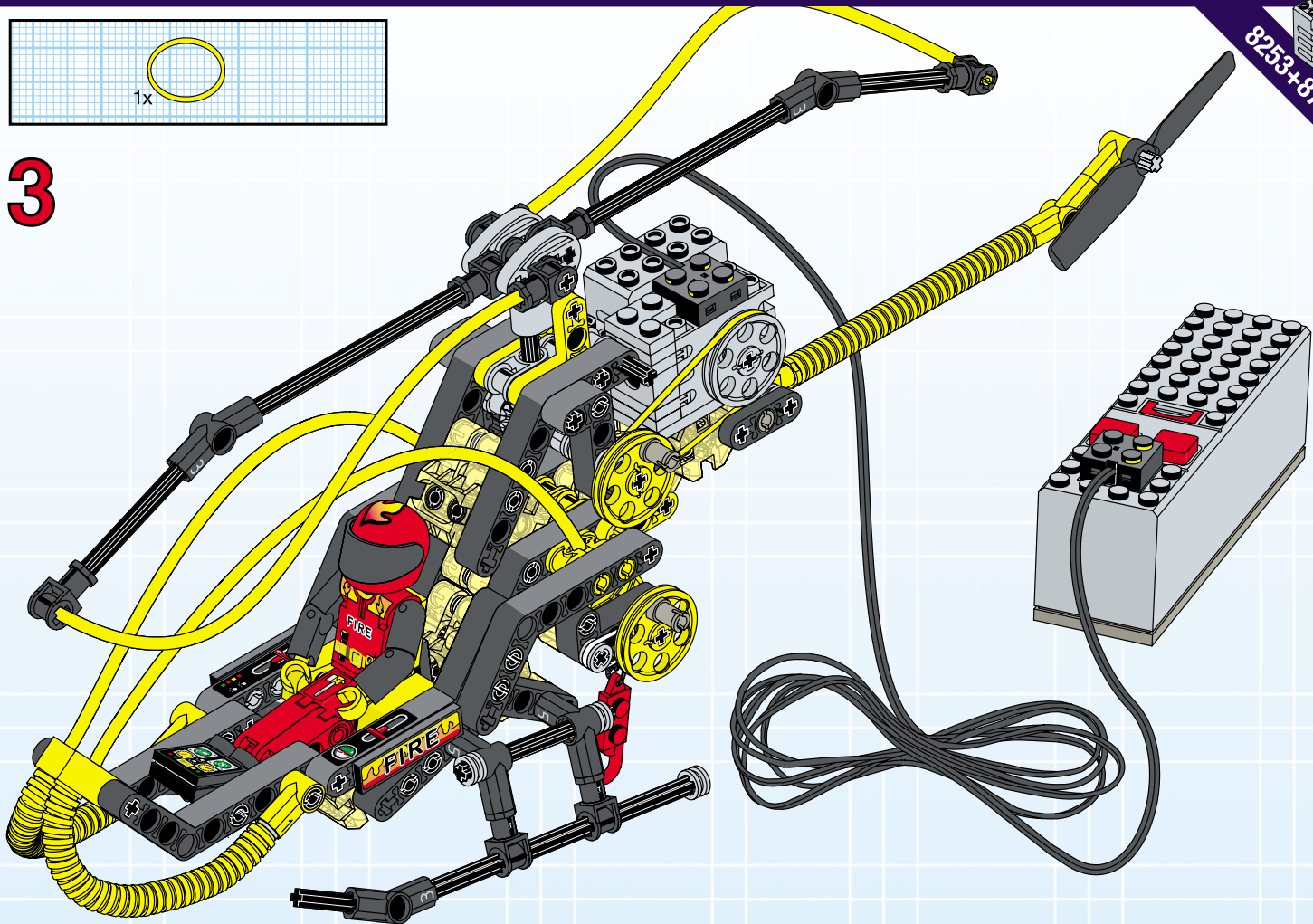
2



8253+8735



3



8253+8735



Technic

8253



+



+



8252 + 8255

8252 + 8253

8252 + 8253 + 8255

8252 + 8253

8252 + 8255

8253 + 8255

8253 + 8255