

BIONICLE™

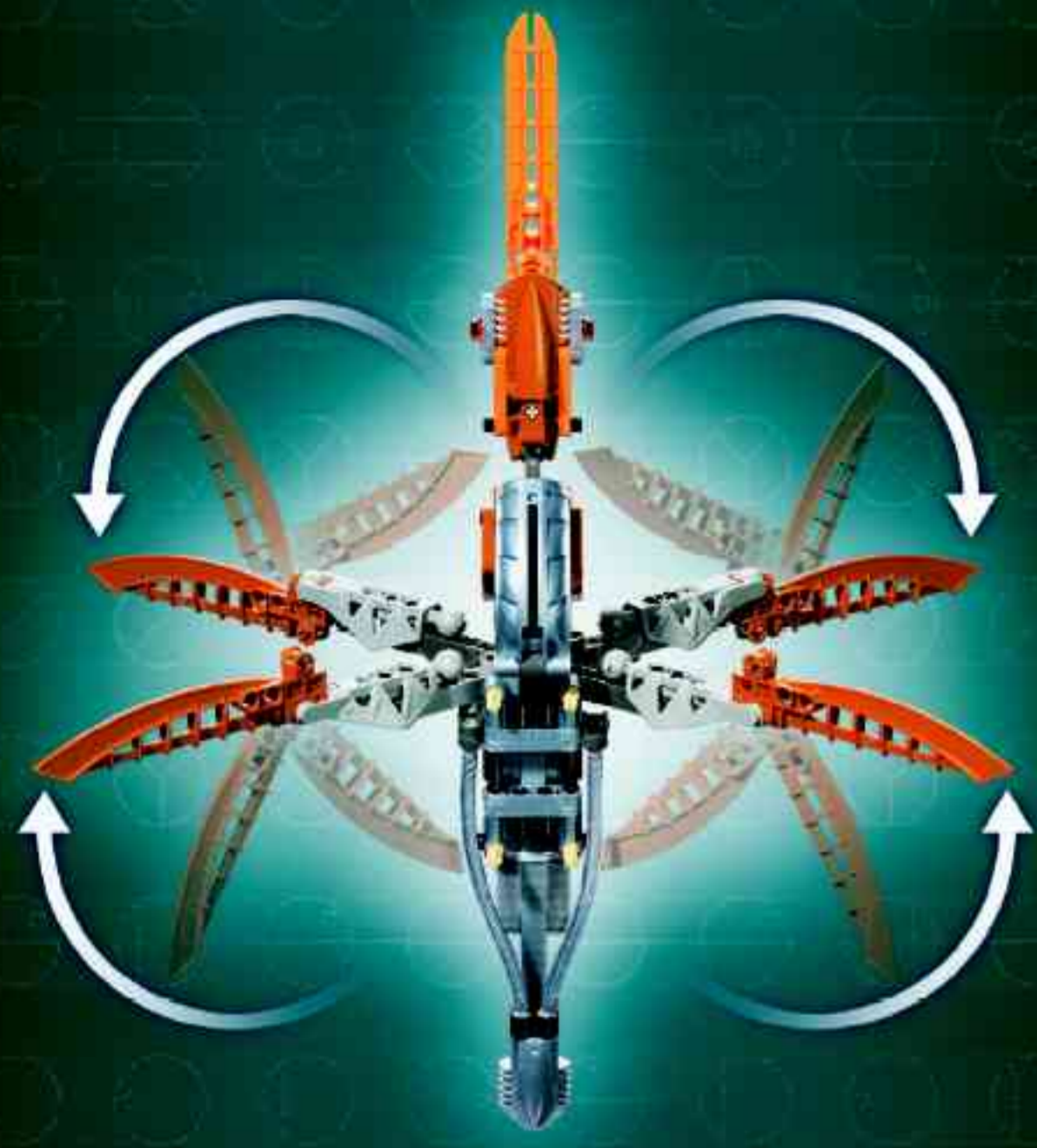
www.bionicle.com



8594

JALLER & GUKKO



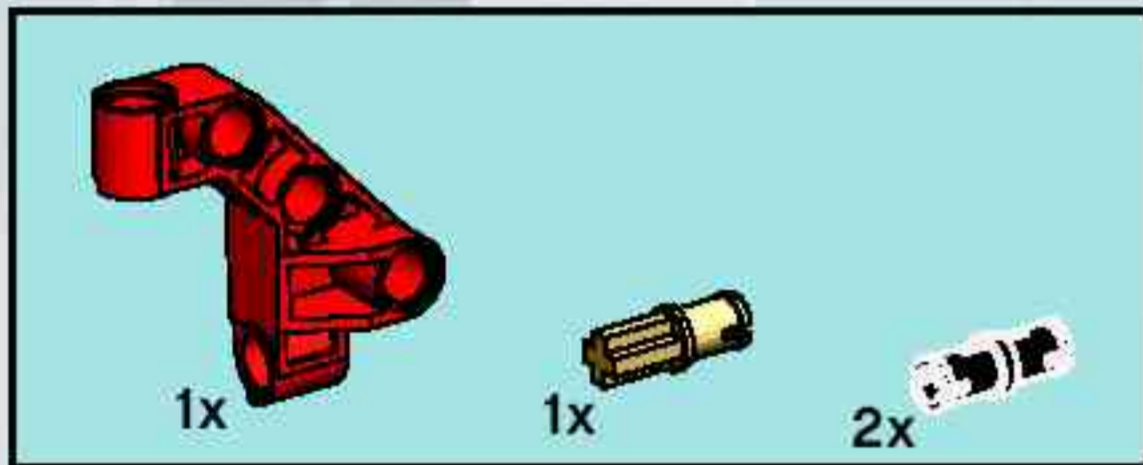


BIONICLE

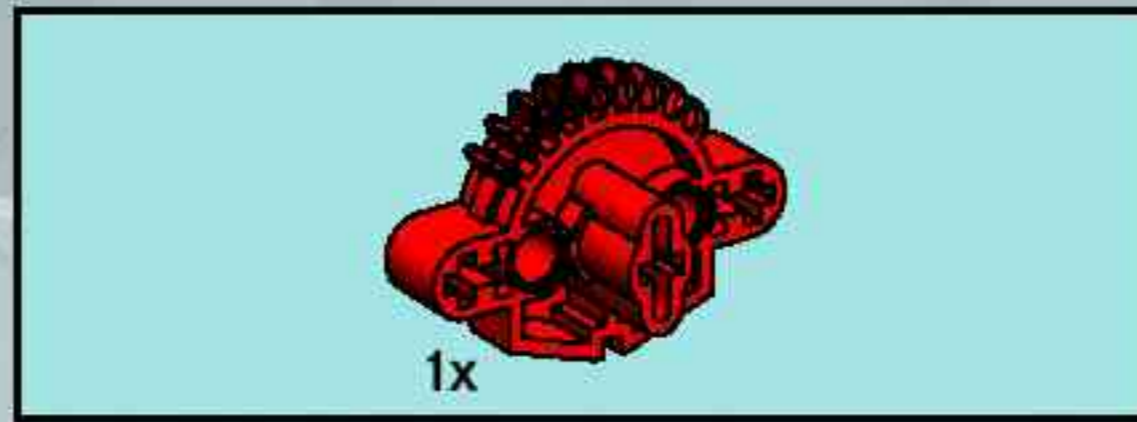
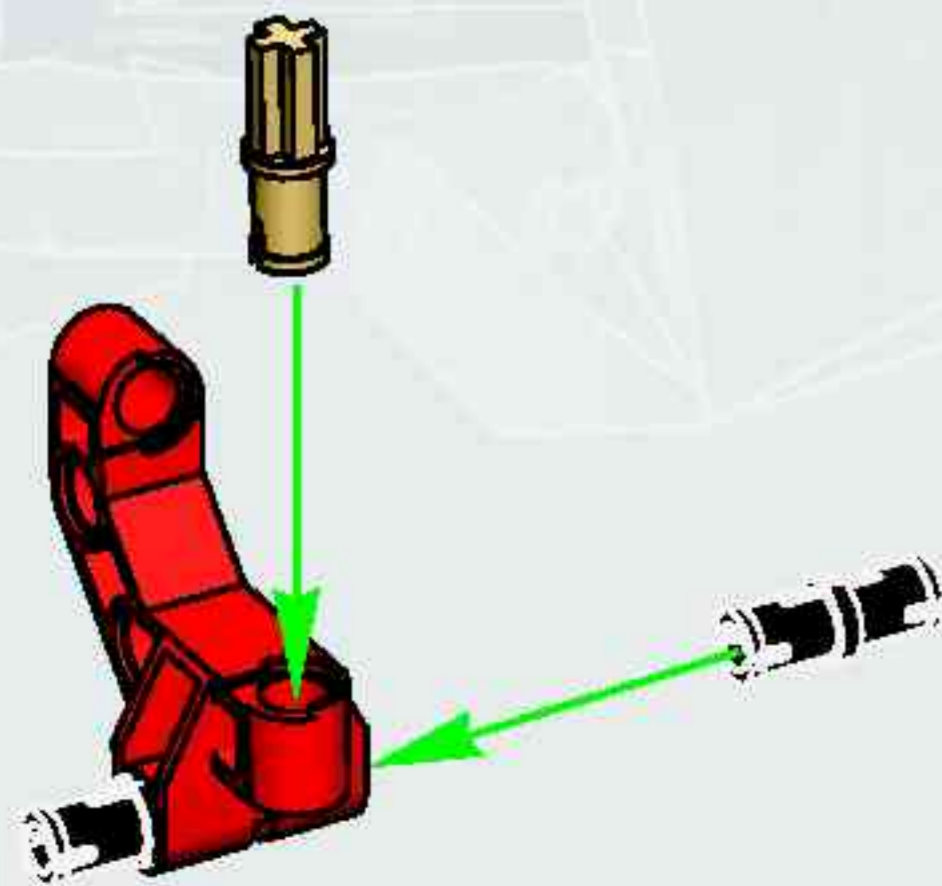
1

LEGO

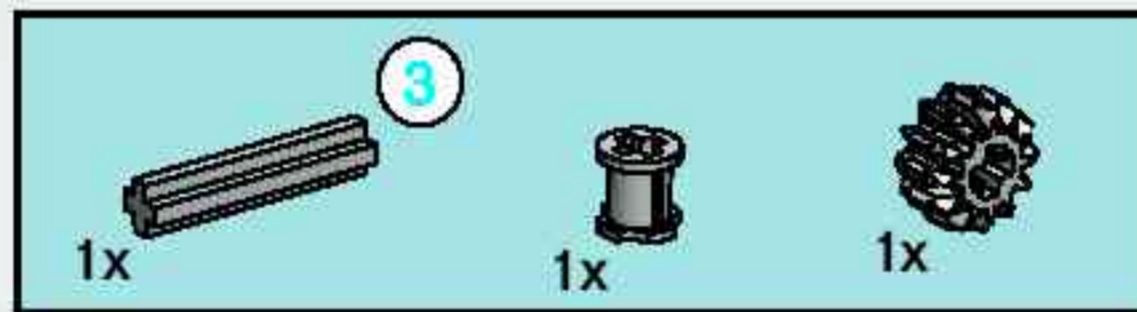
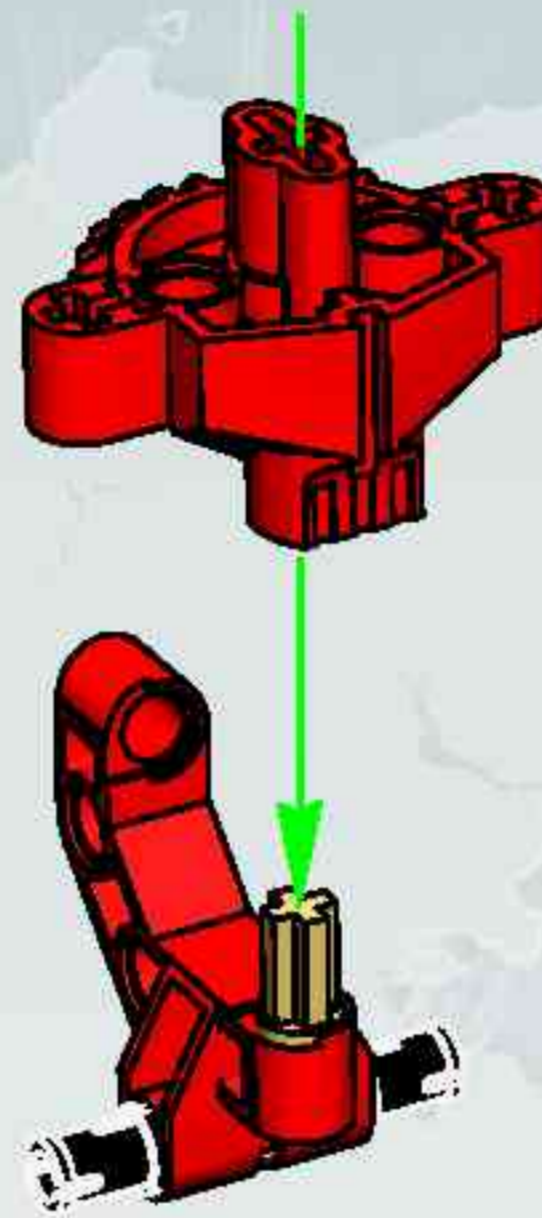
8594



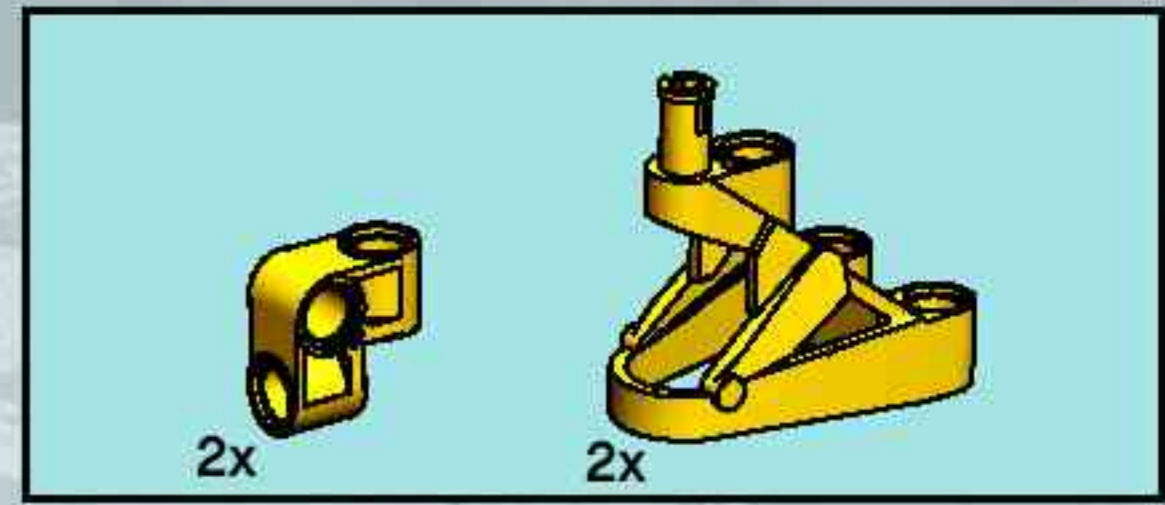
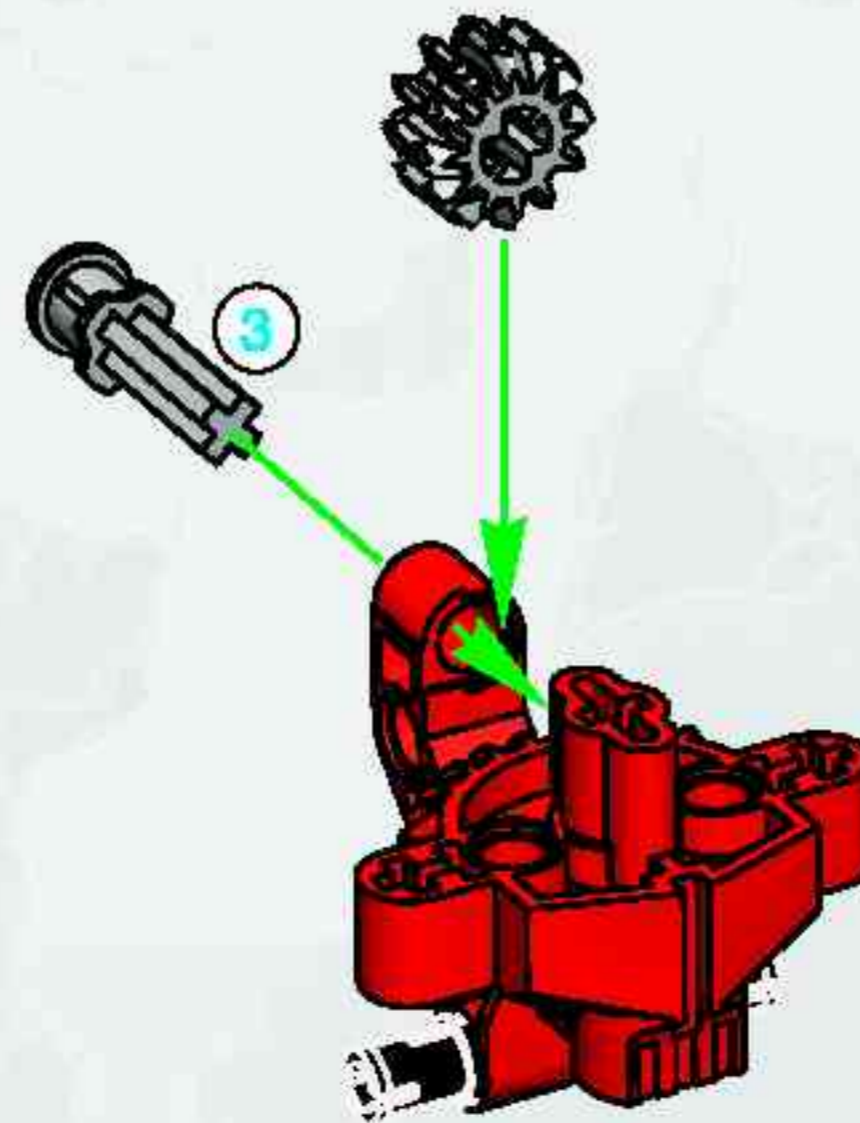
1



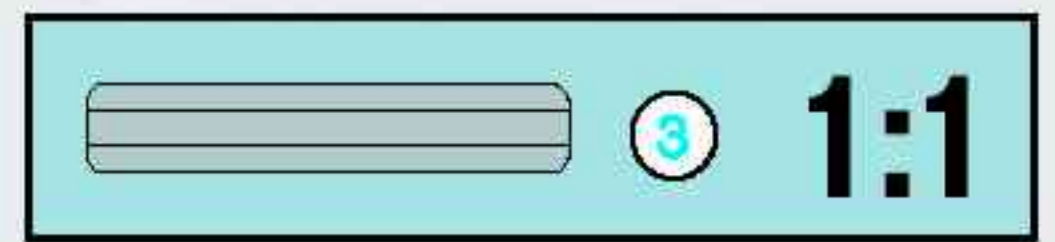
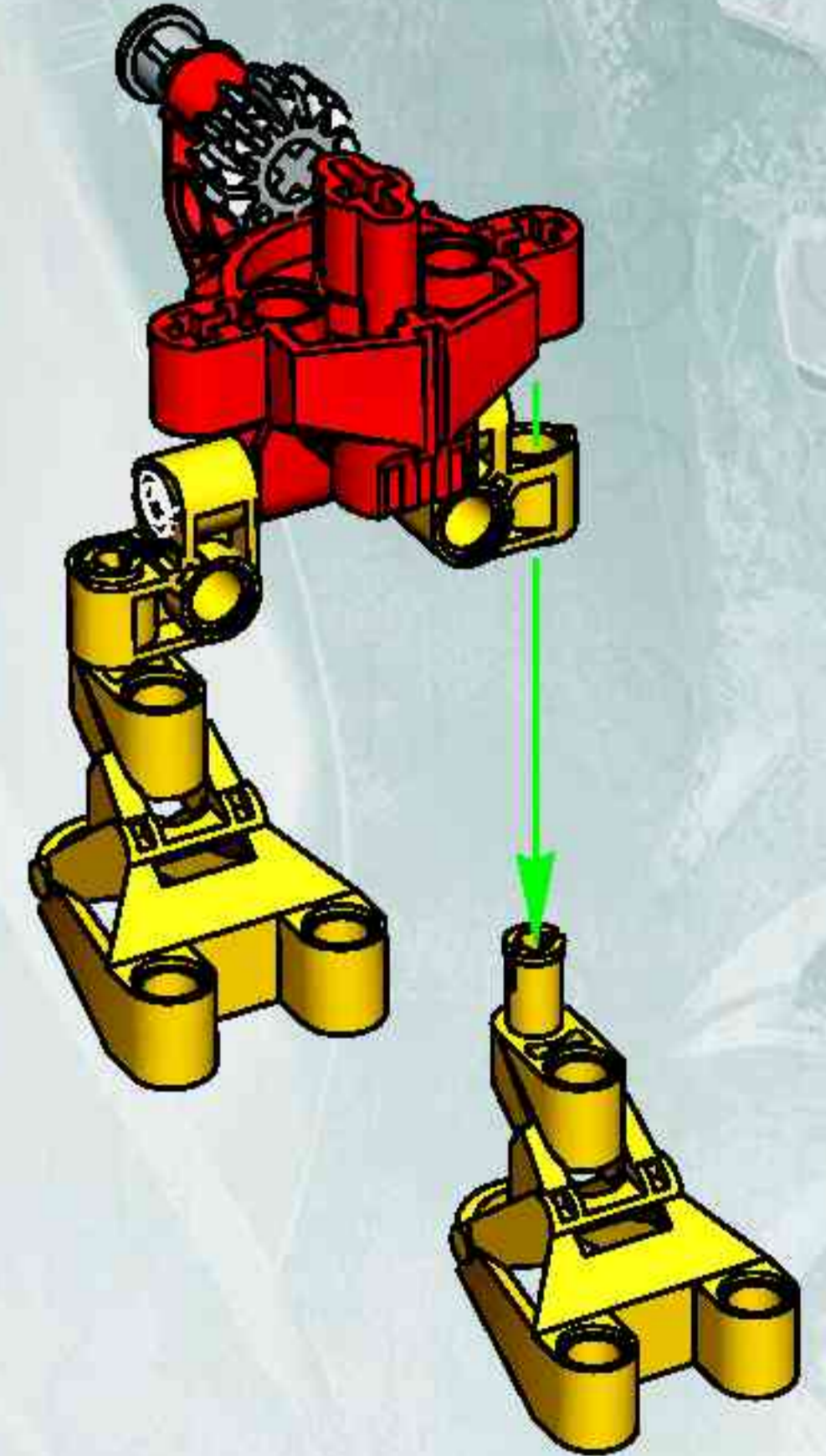
2



3

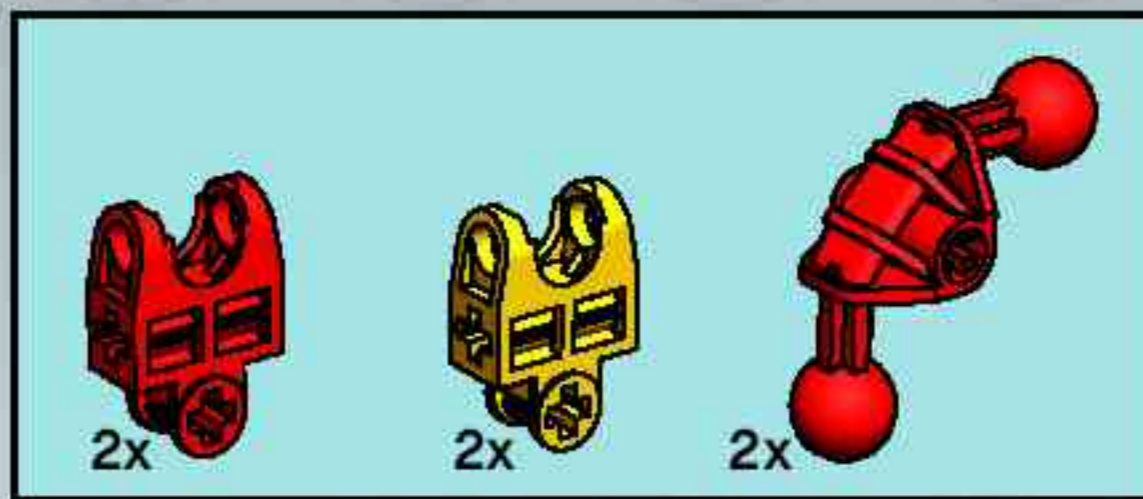
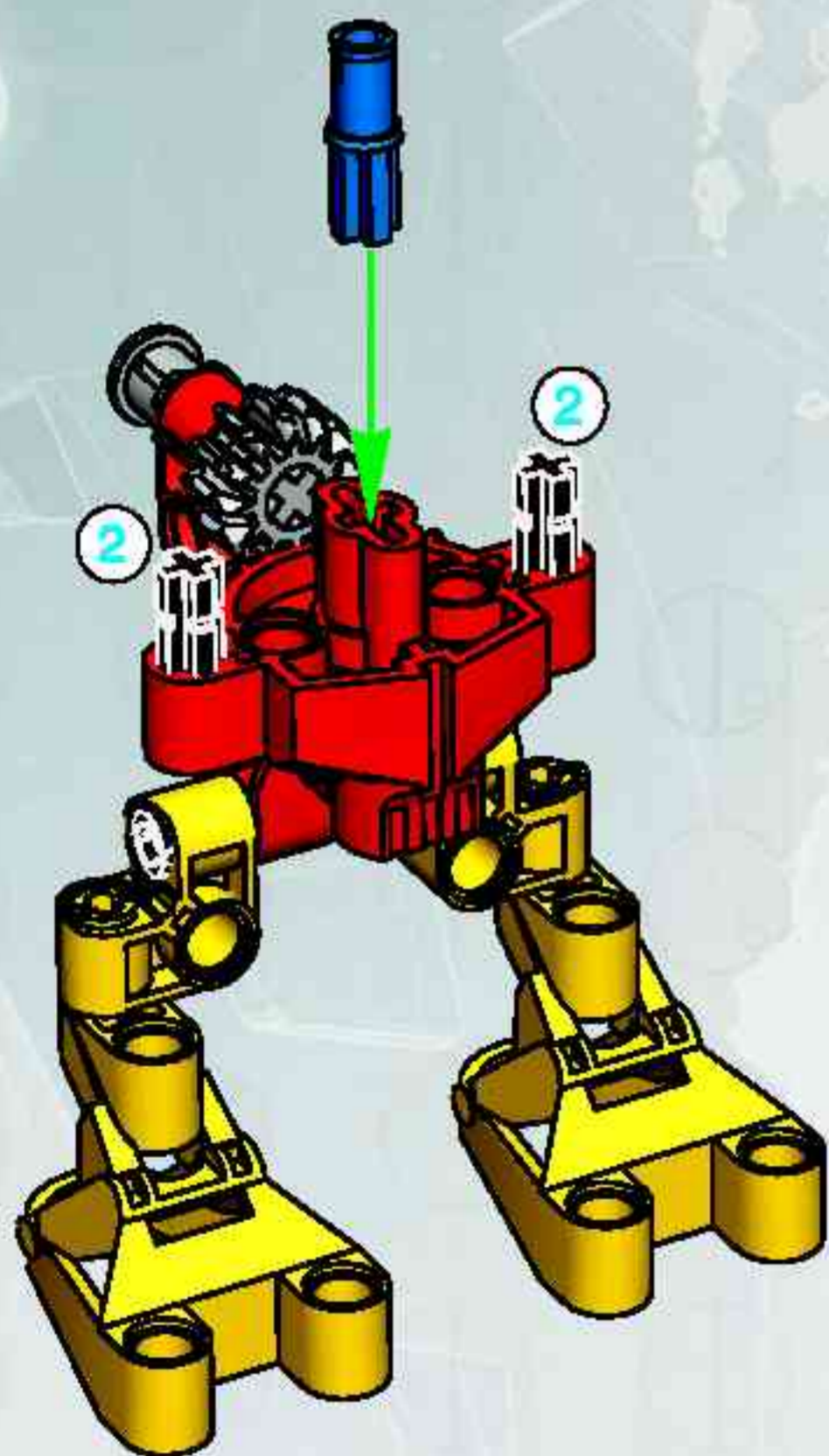


4

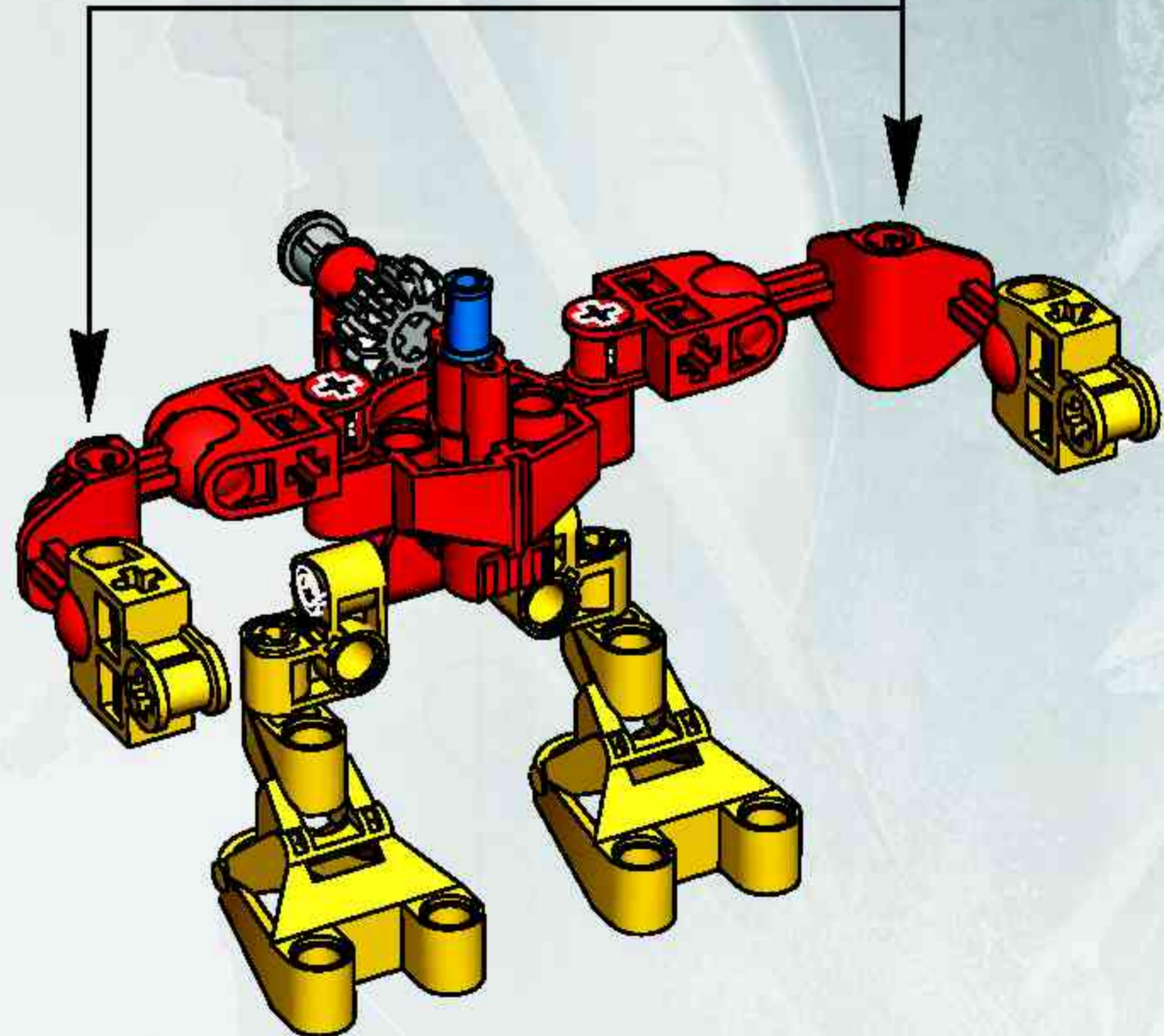
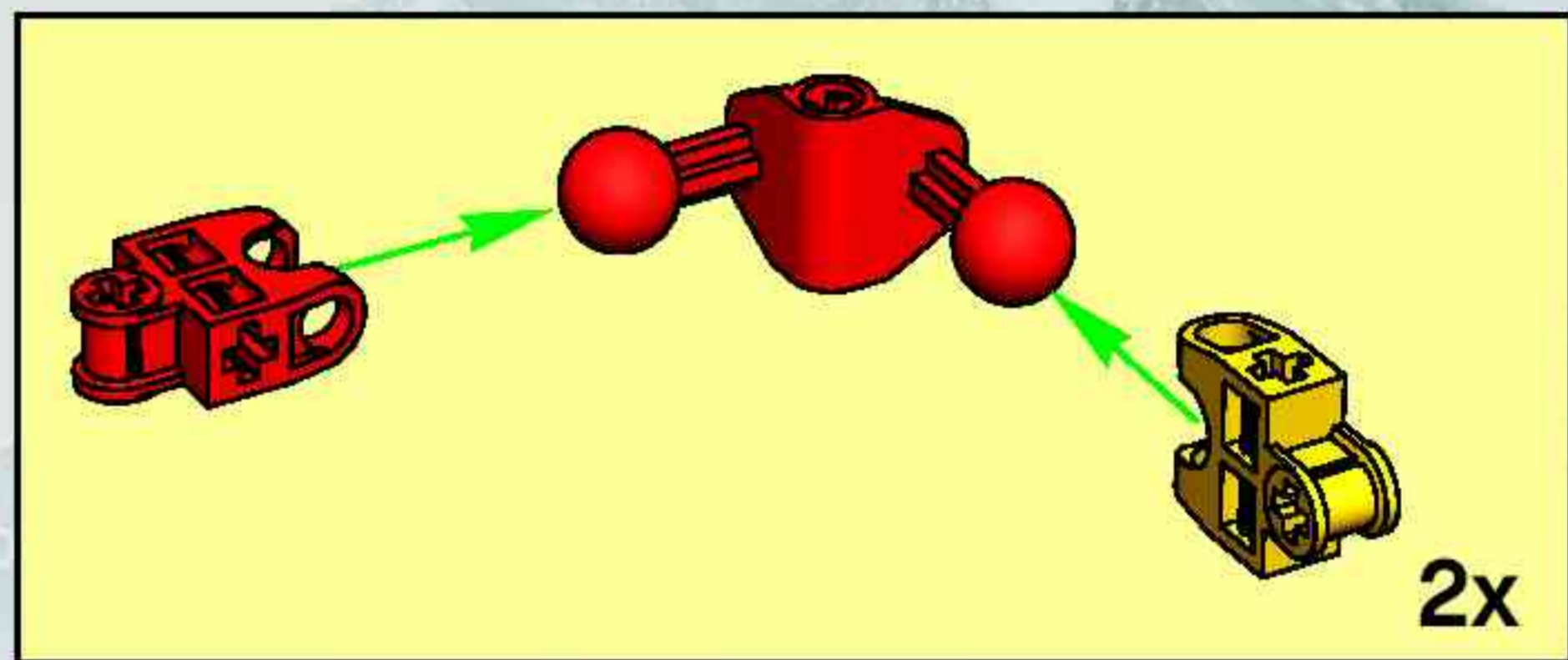


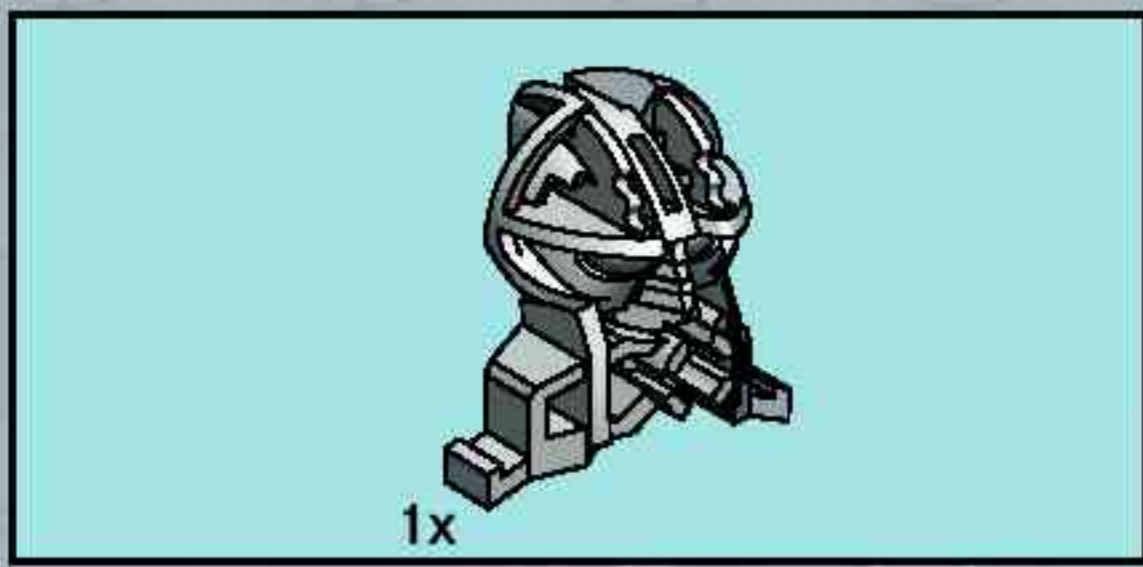


5

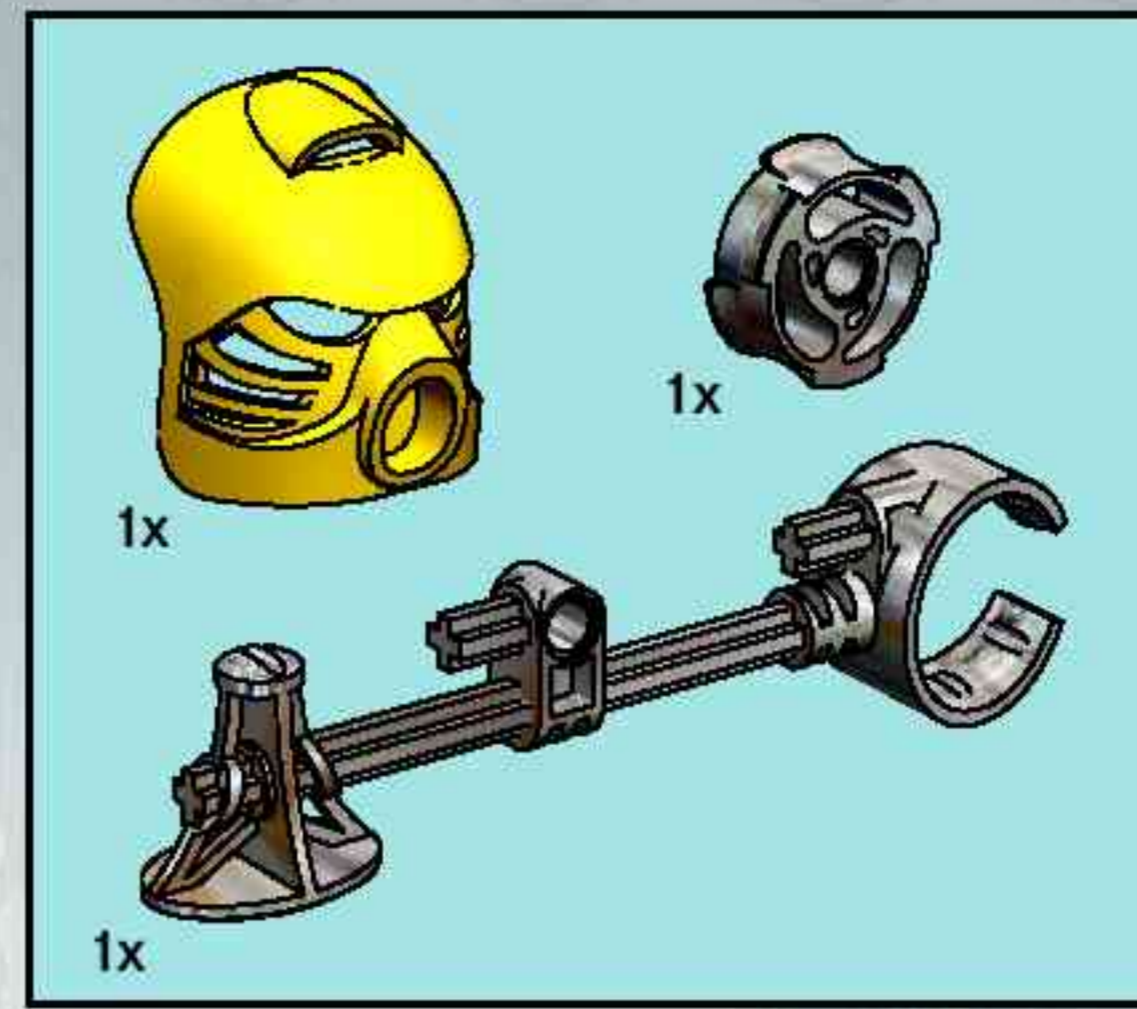
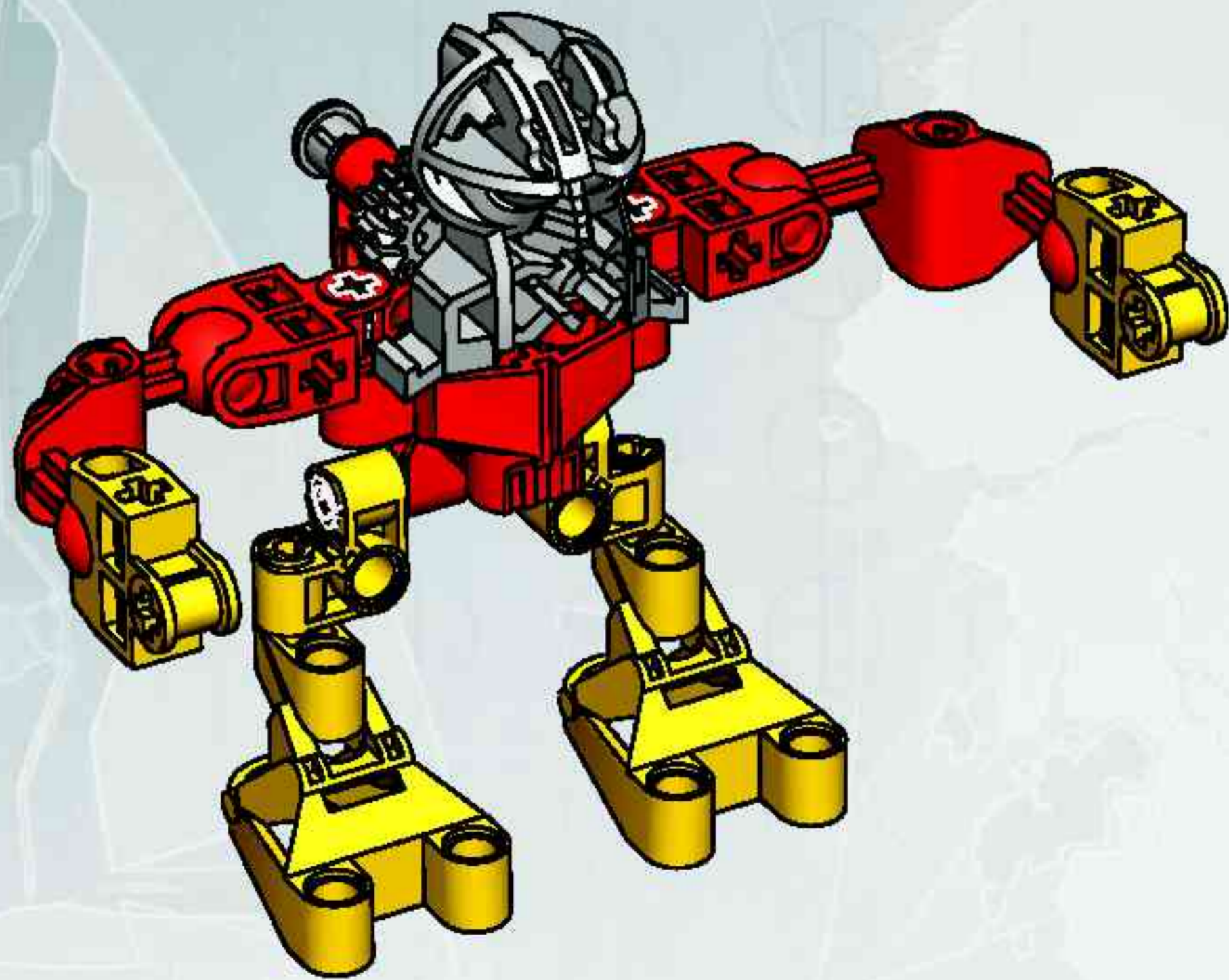


6

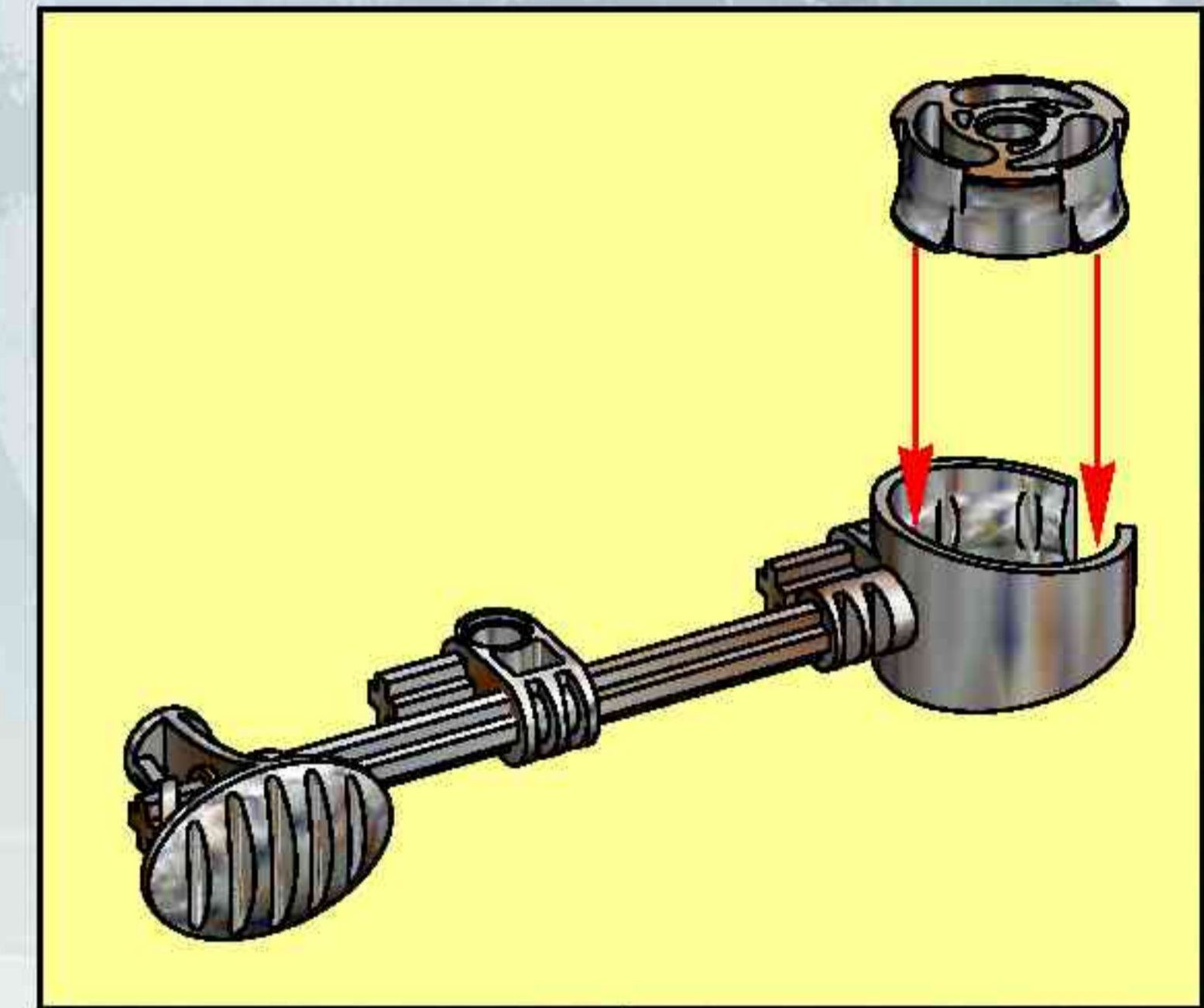




7



8

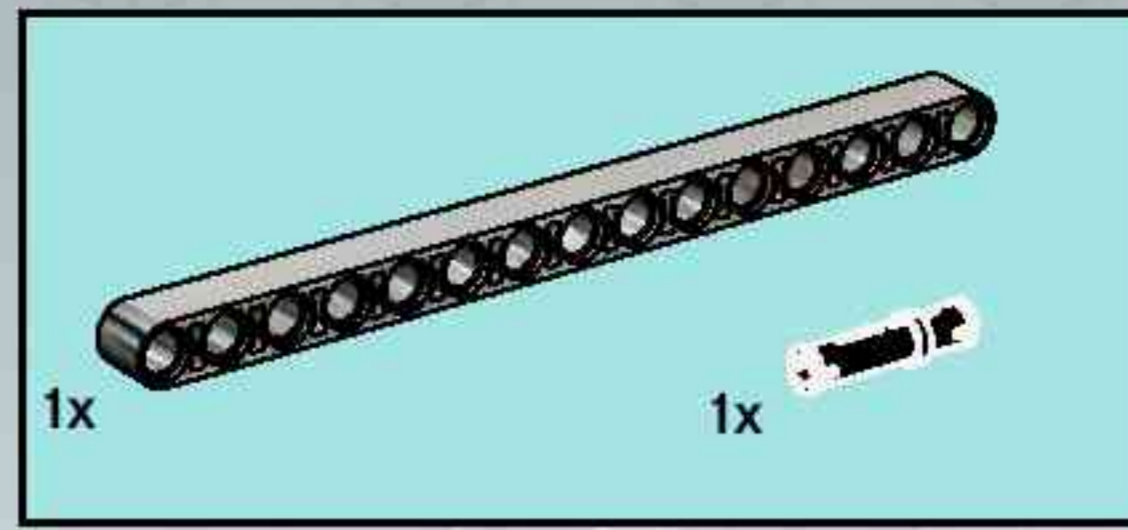
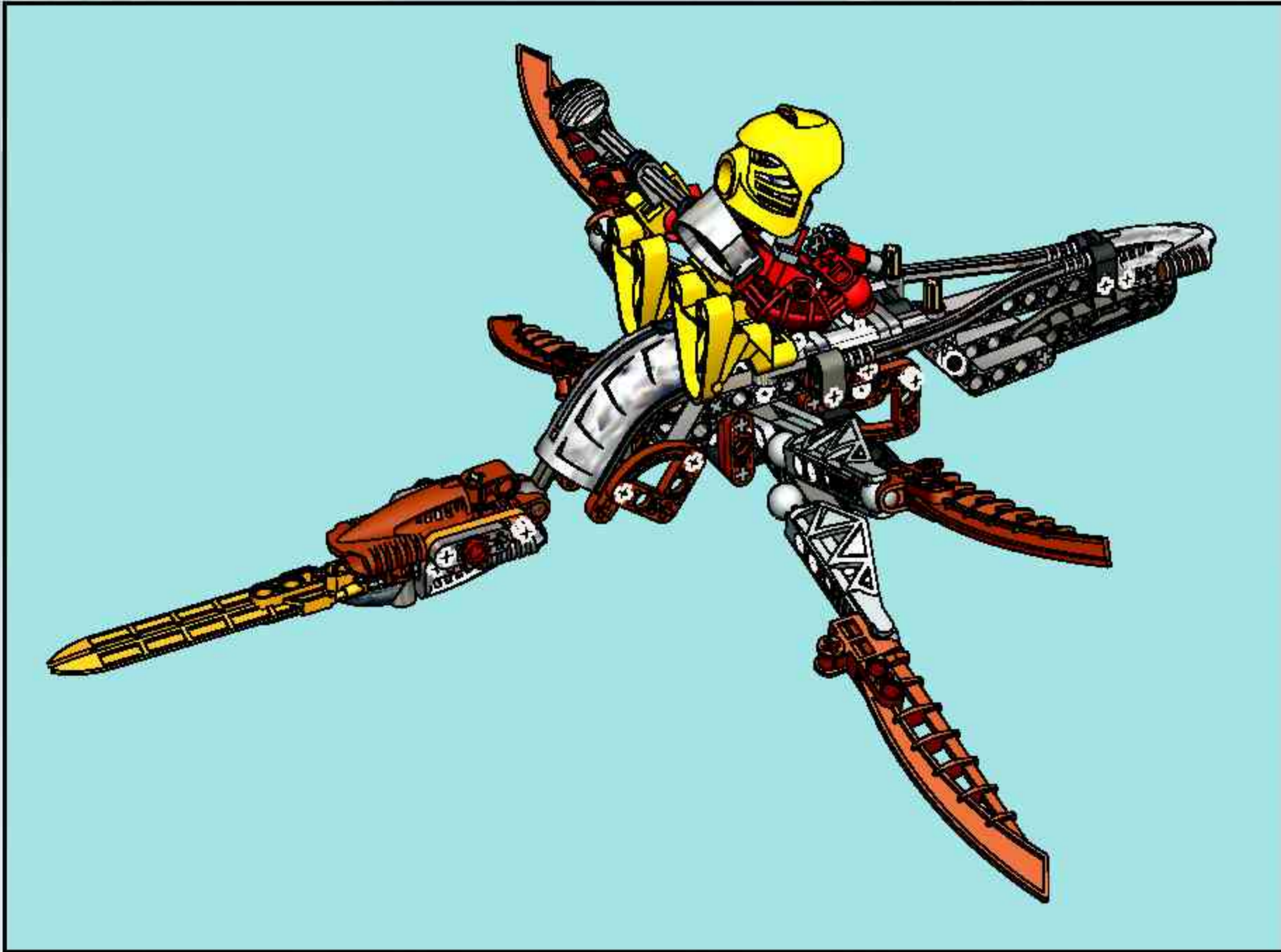


BIONICLE

2

LEGO

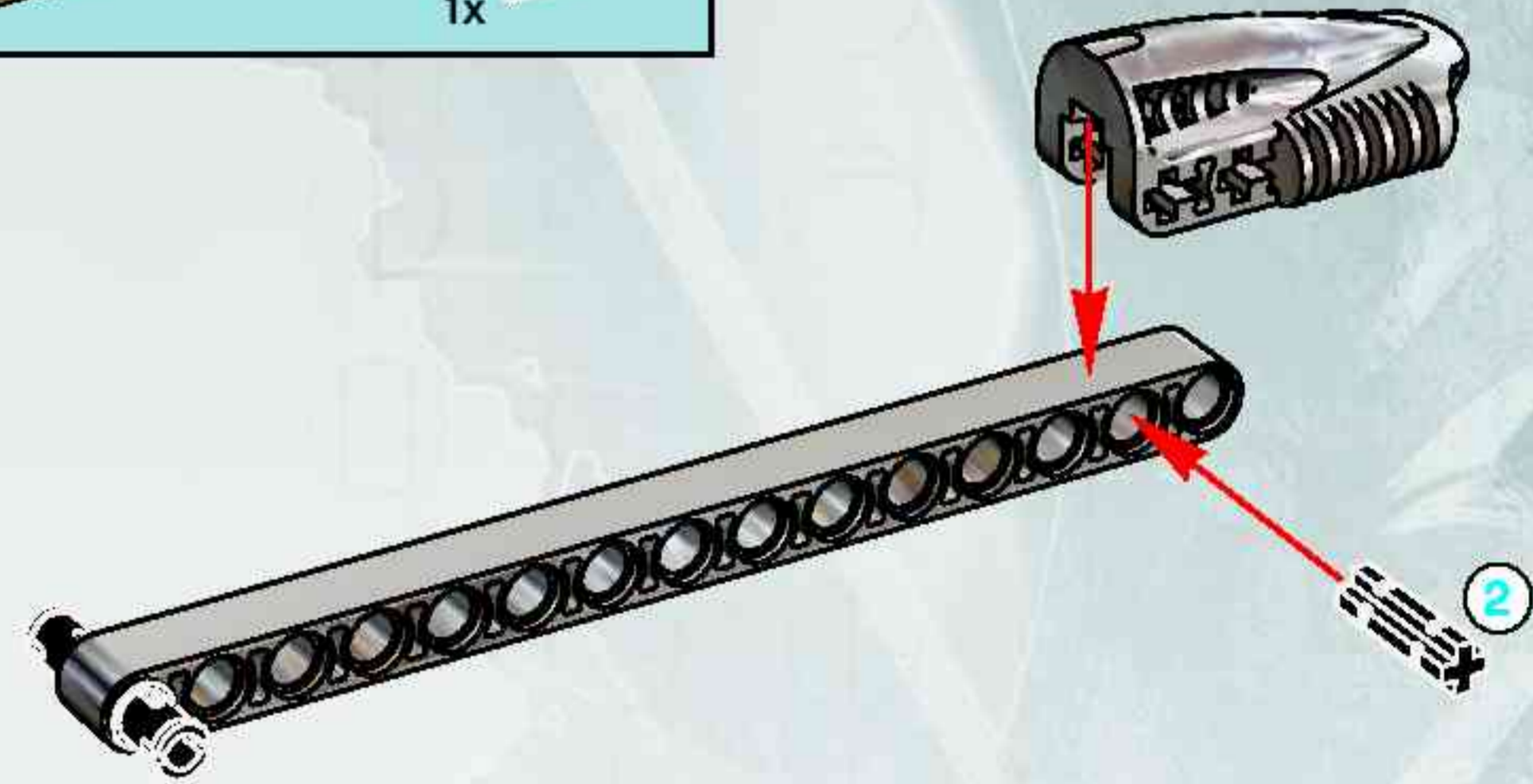
8594



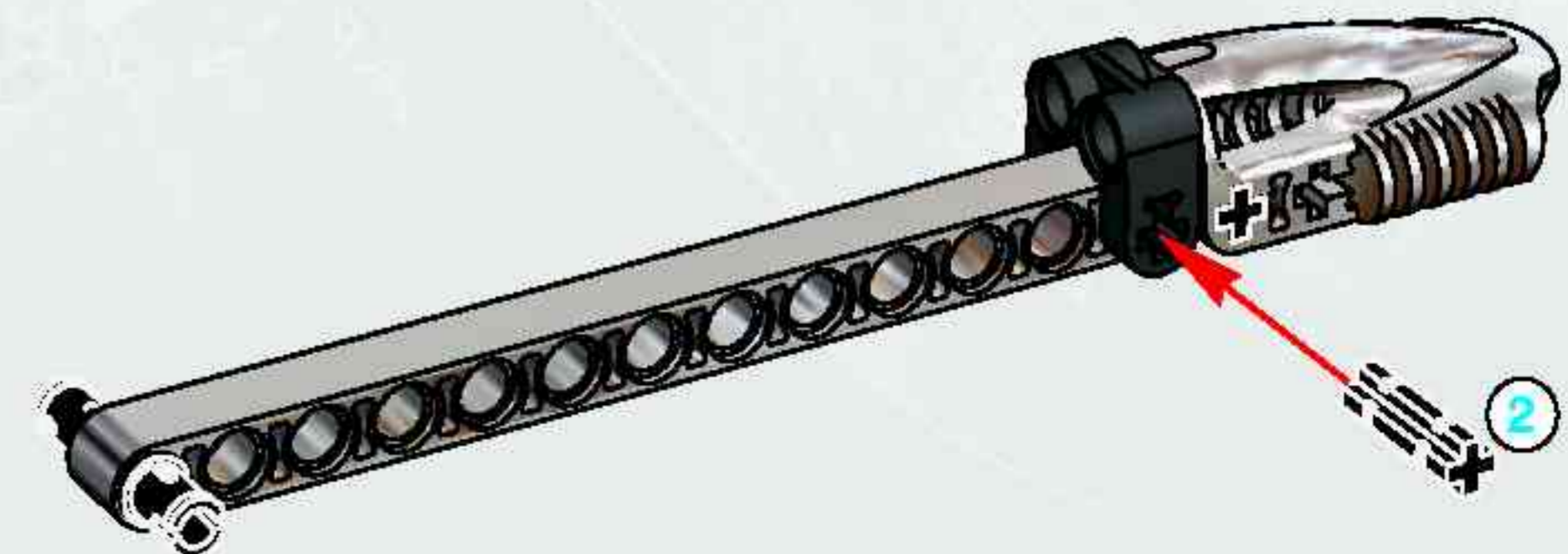
1

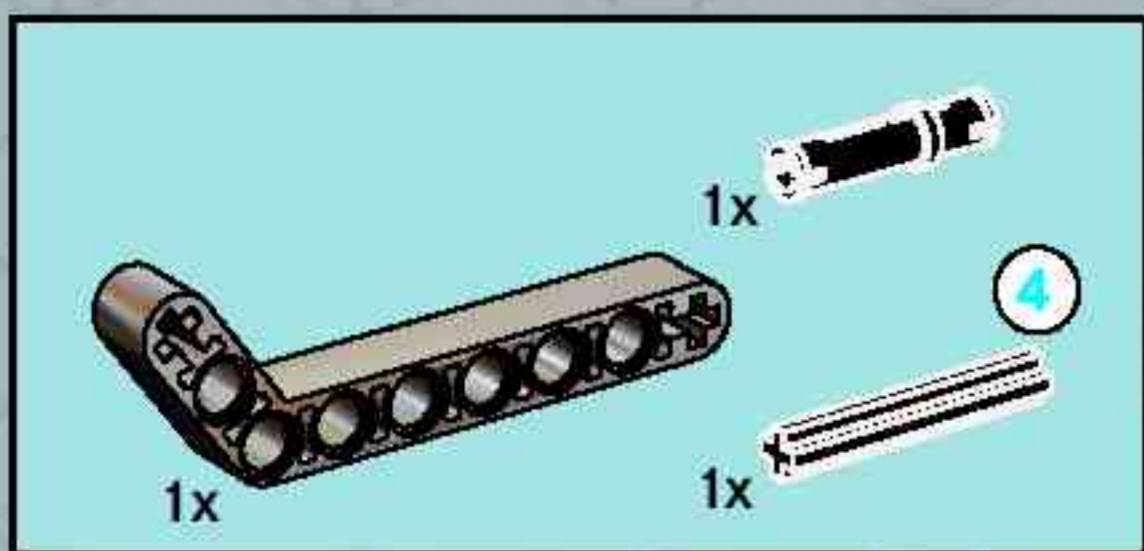


2

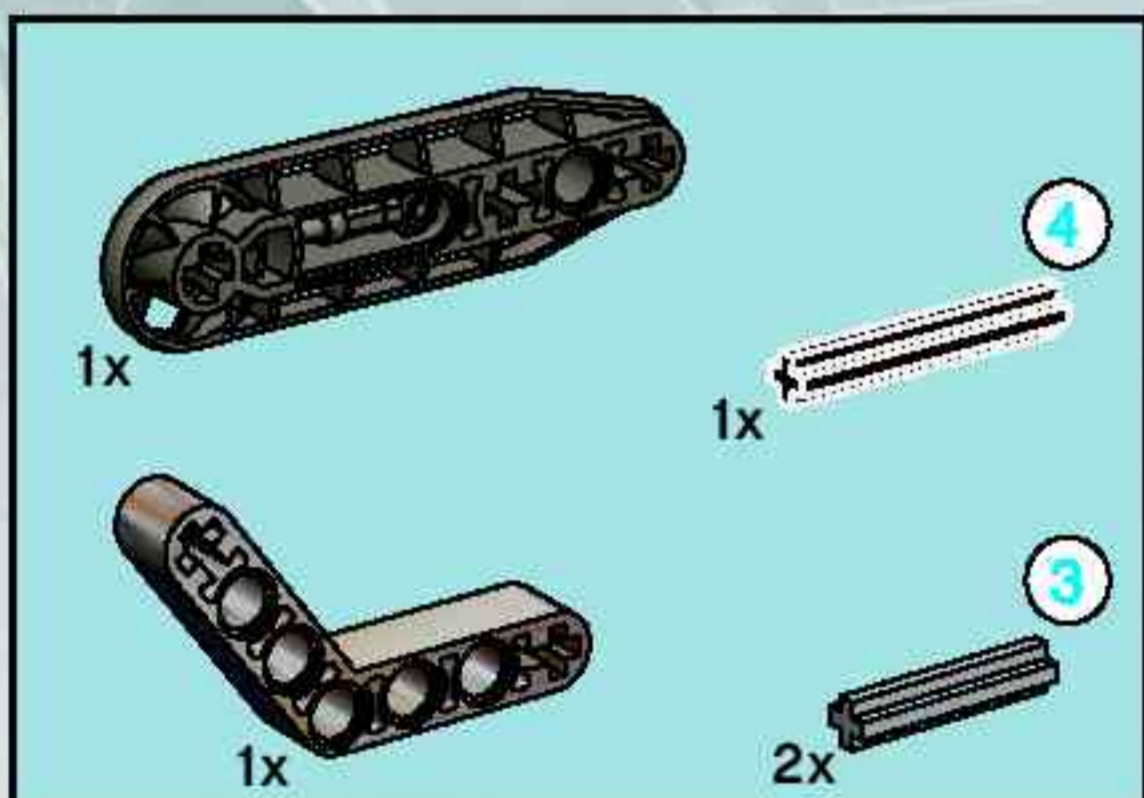
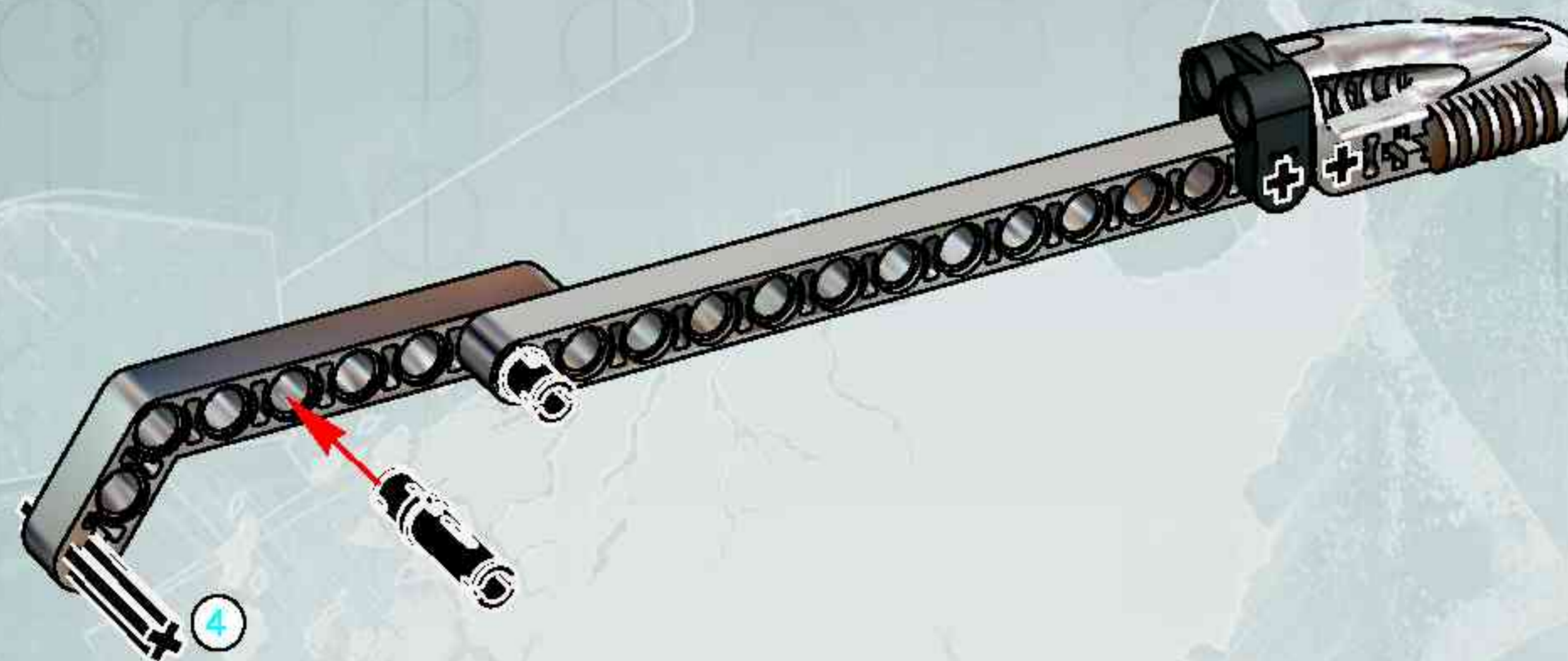


3

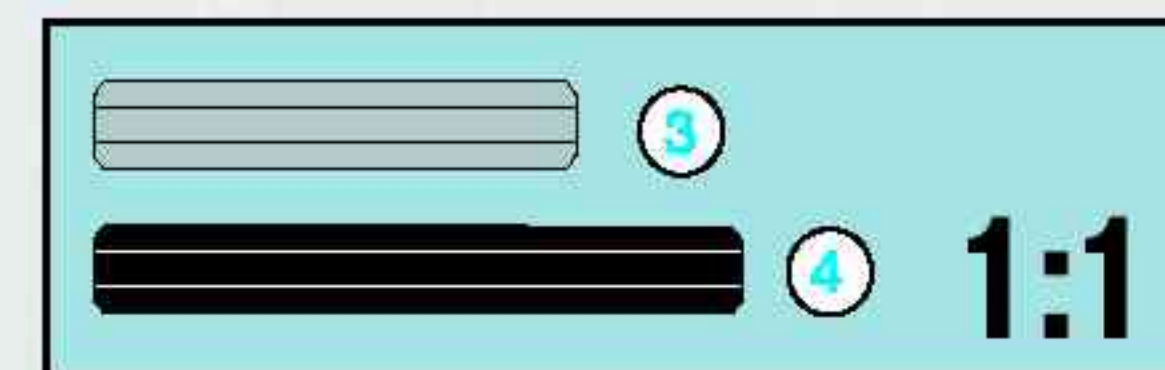
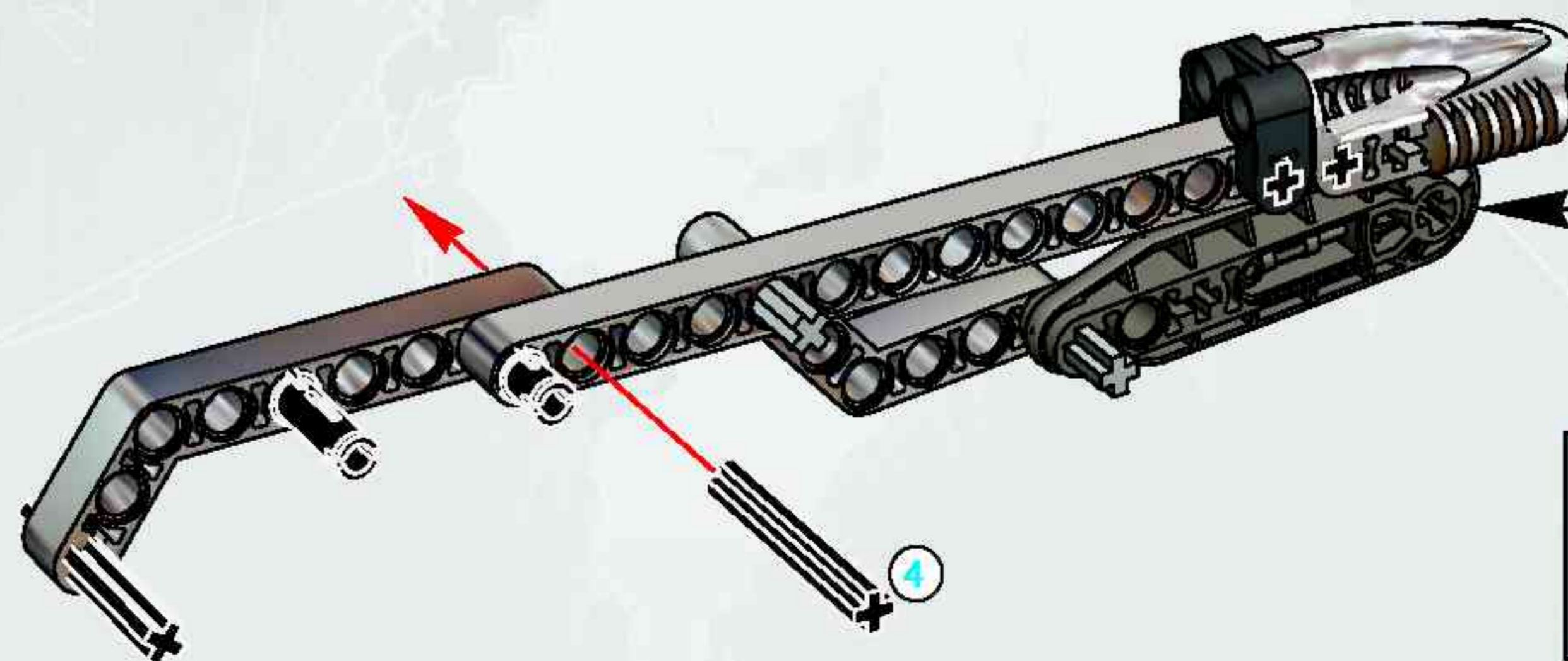
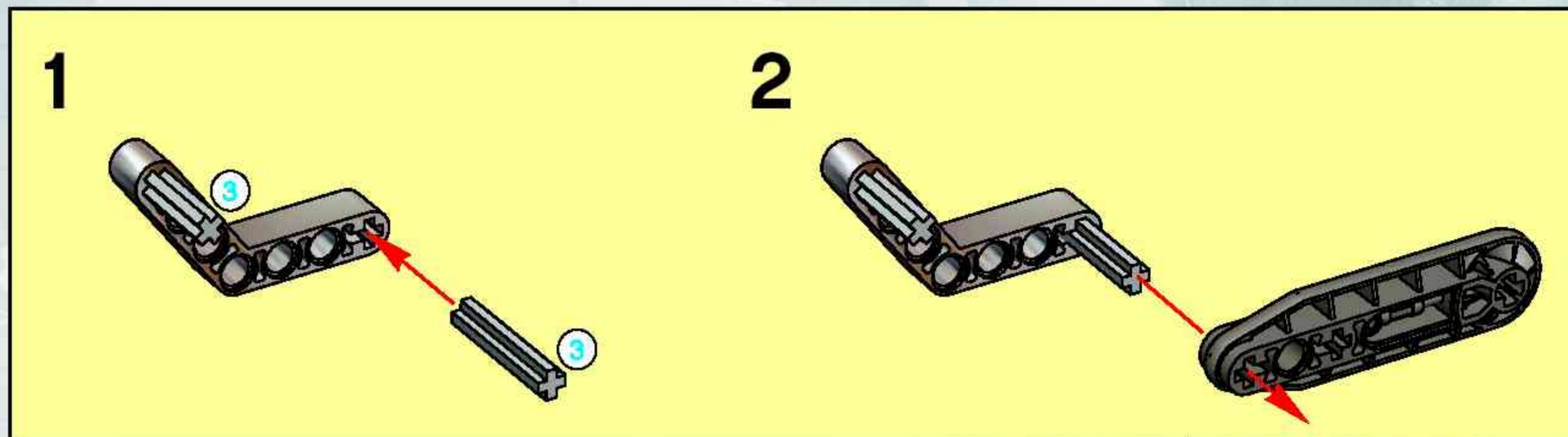


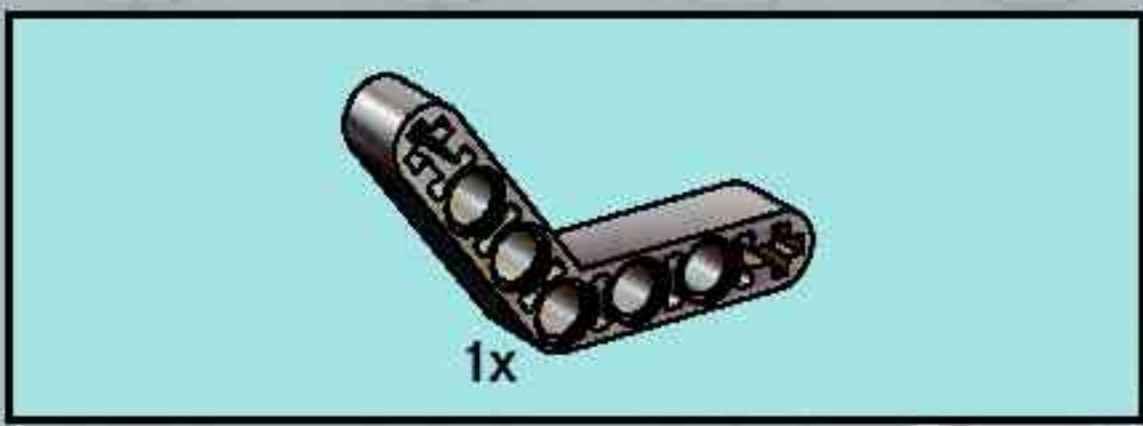


4



5

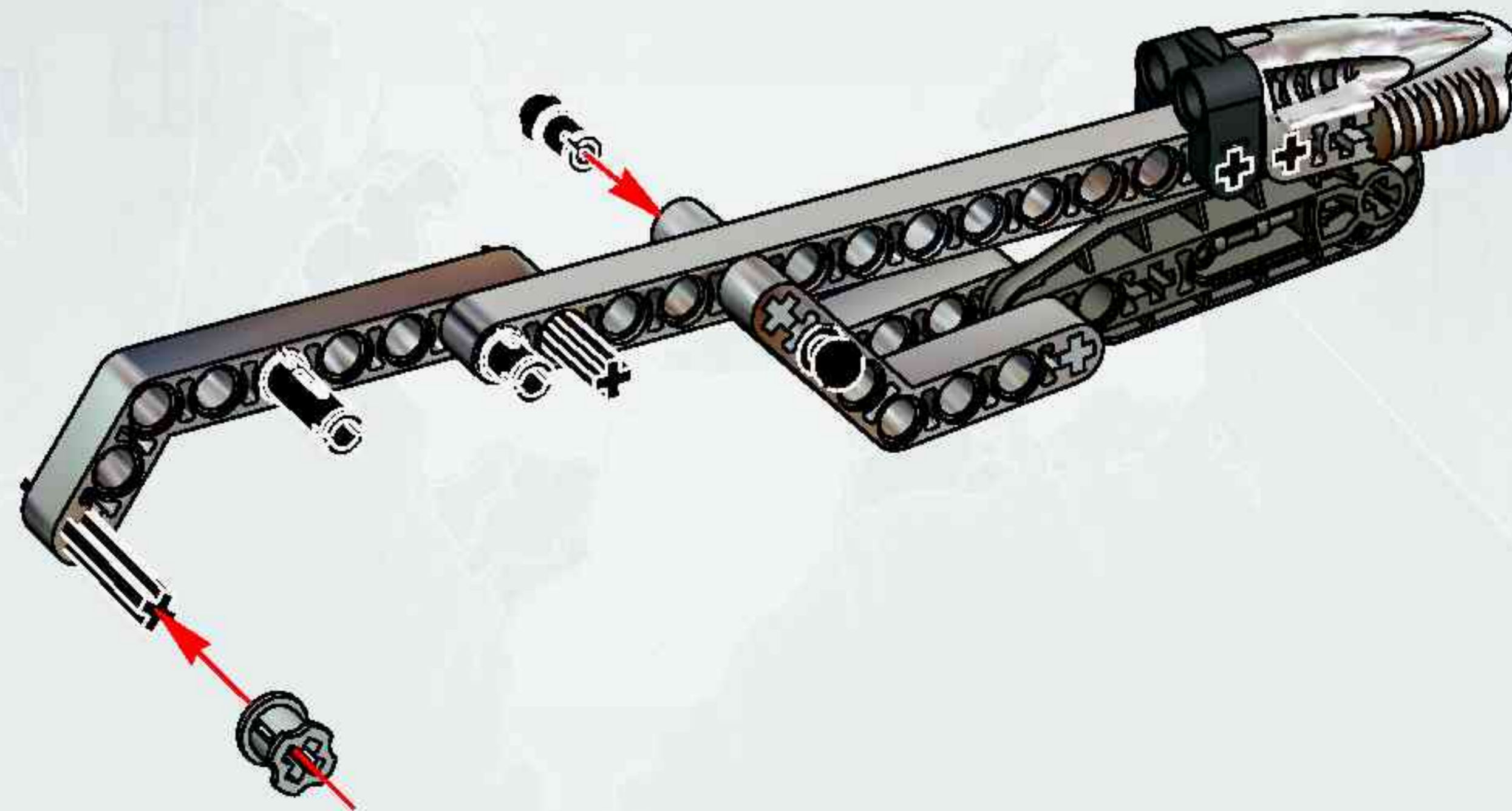


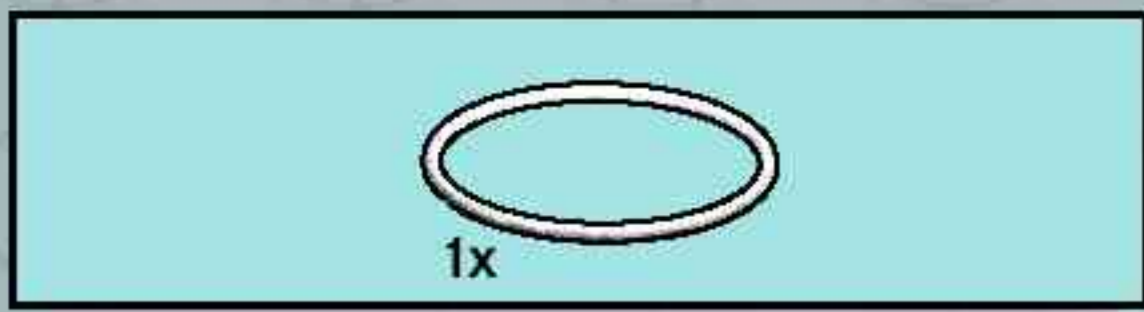


6

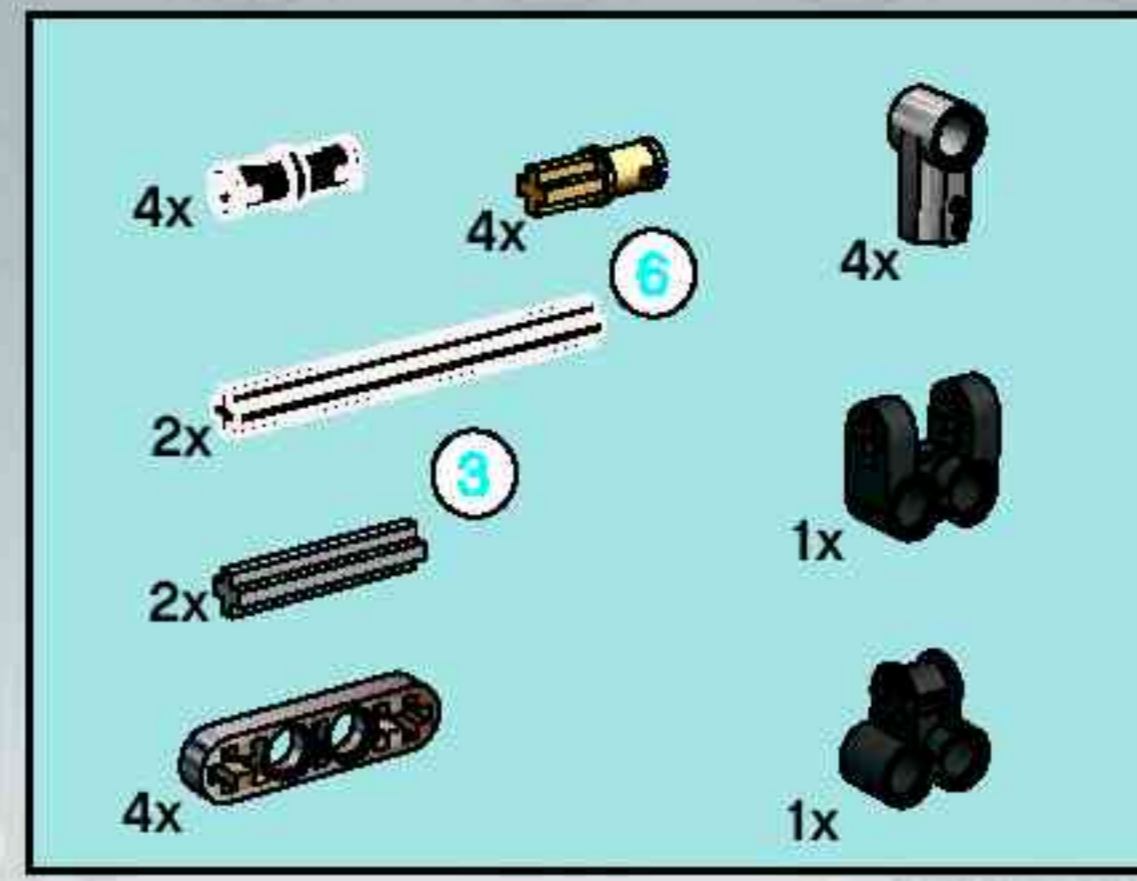
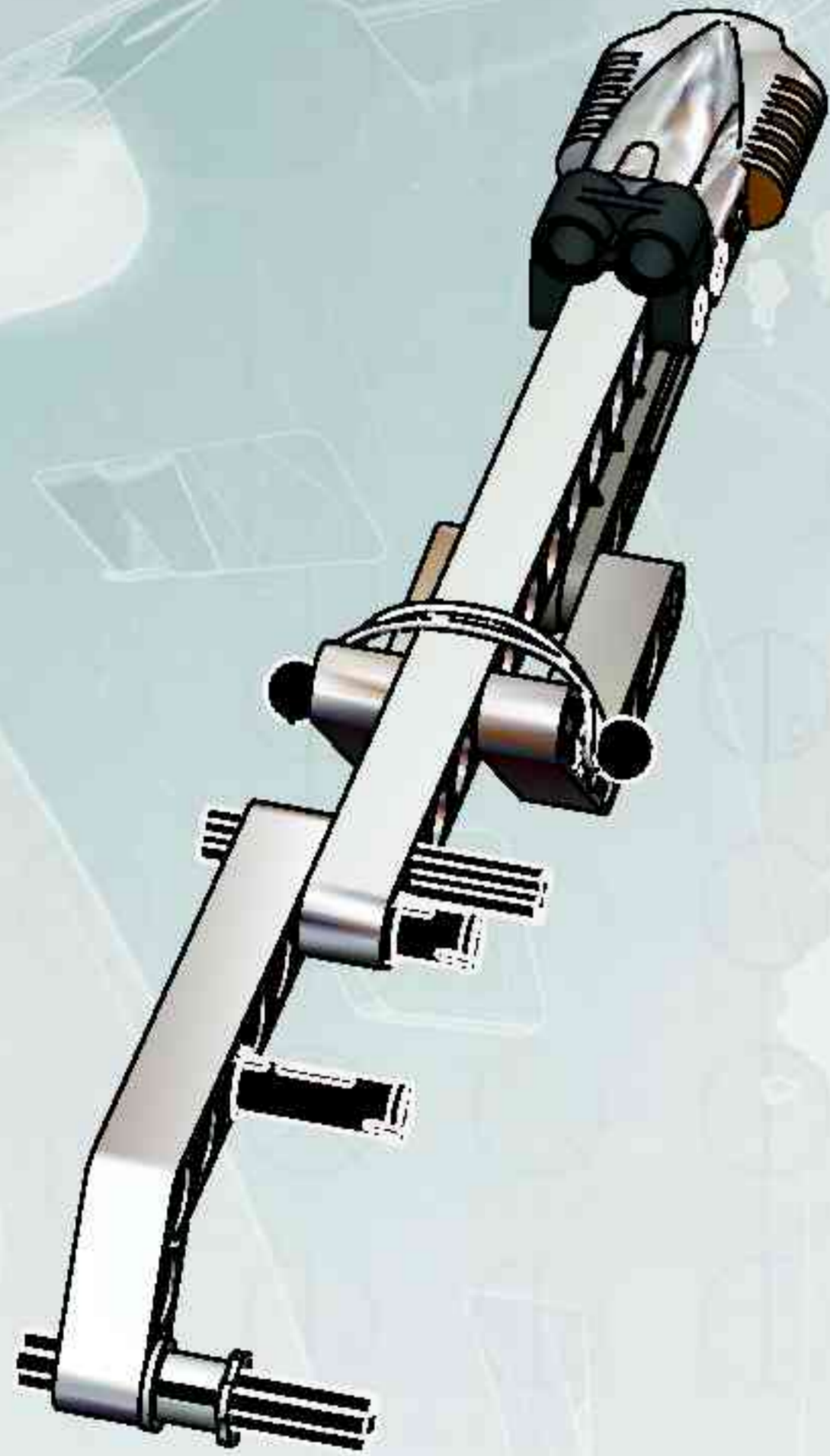


7



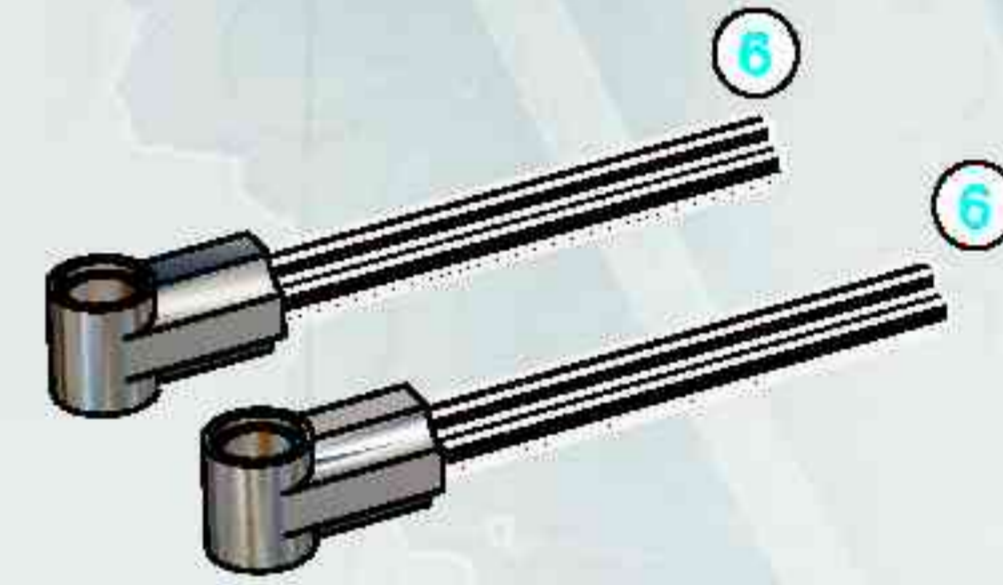


8

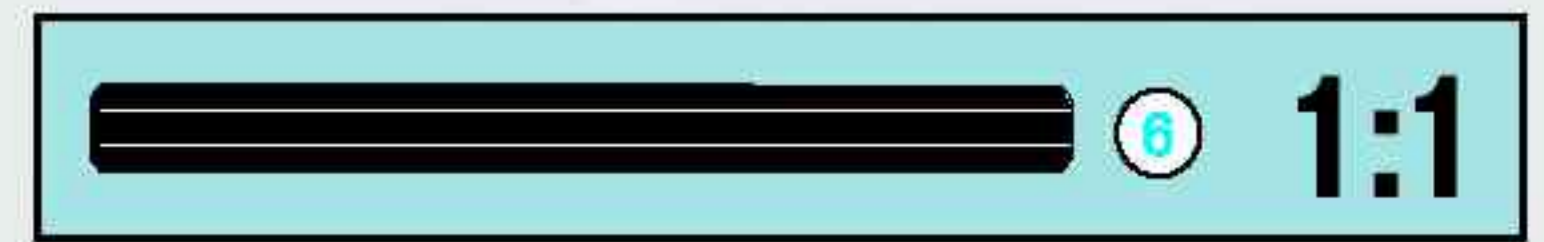
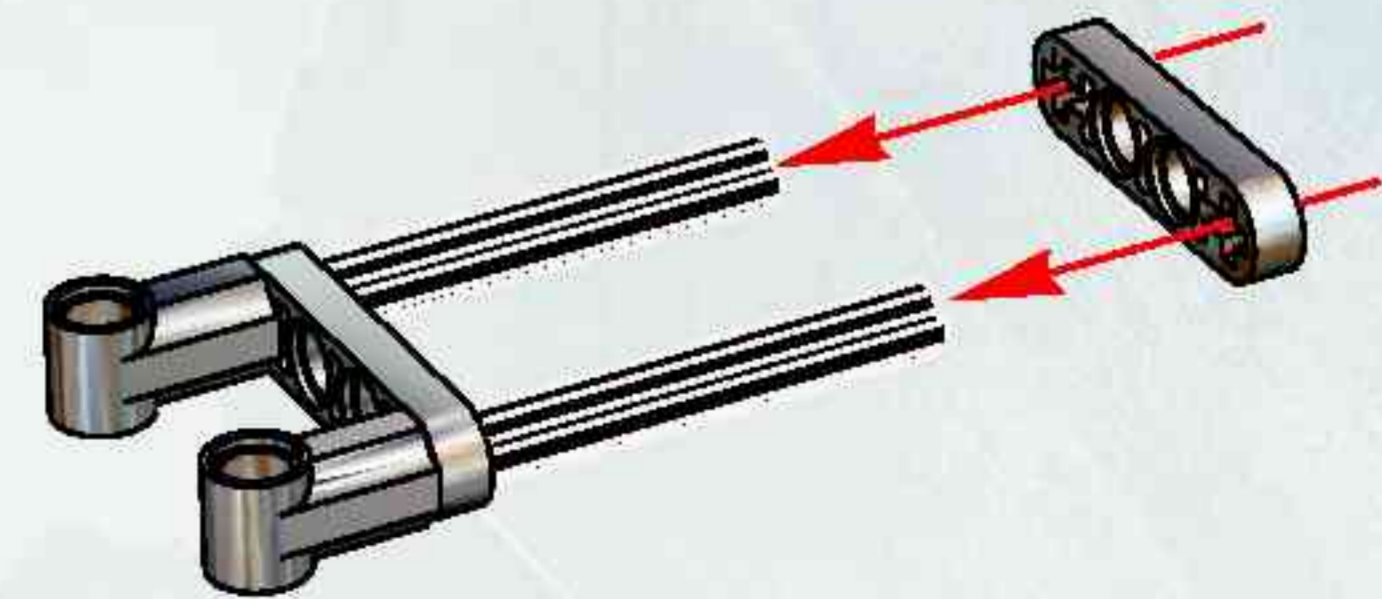


9

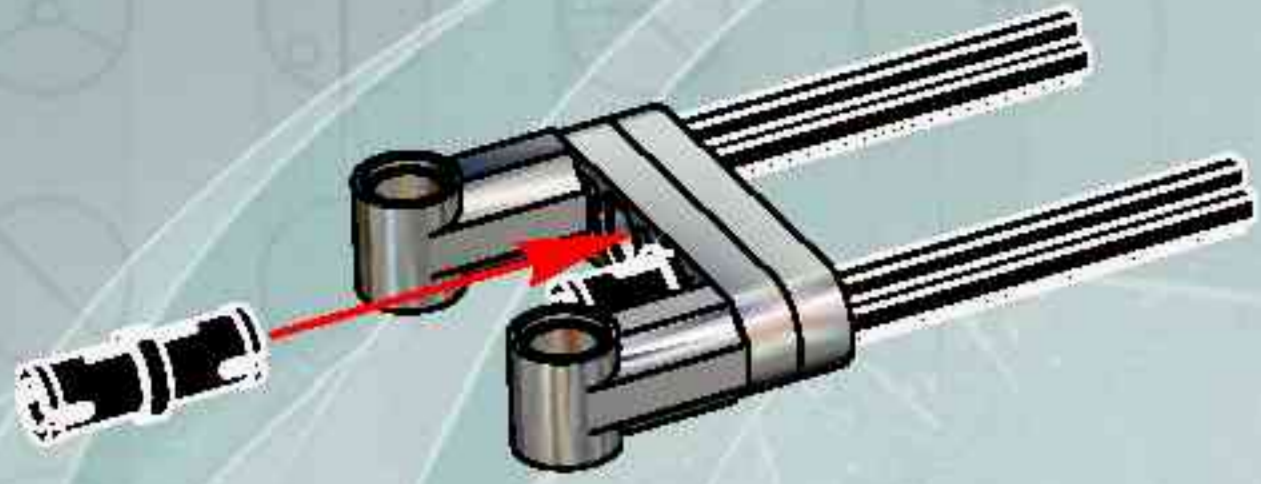
1



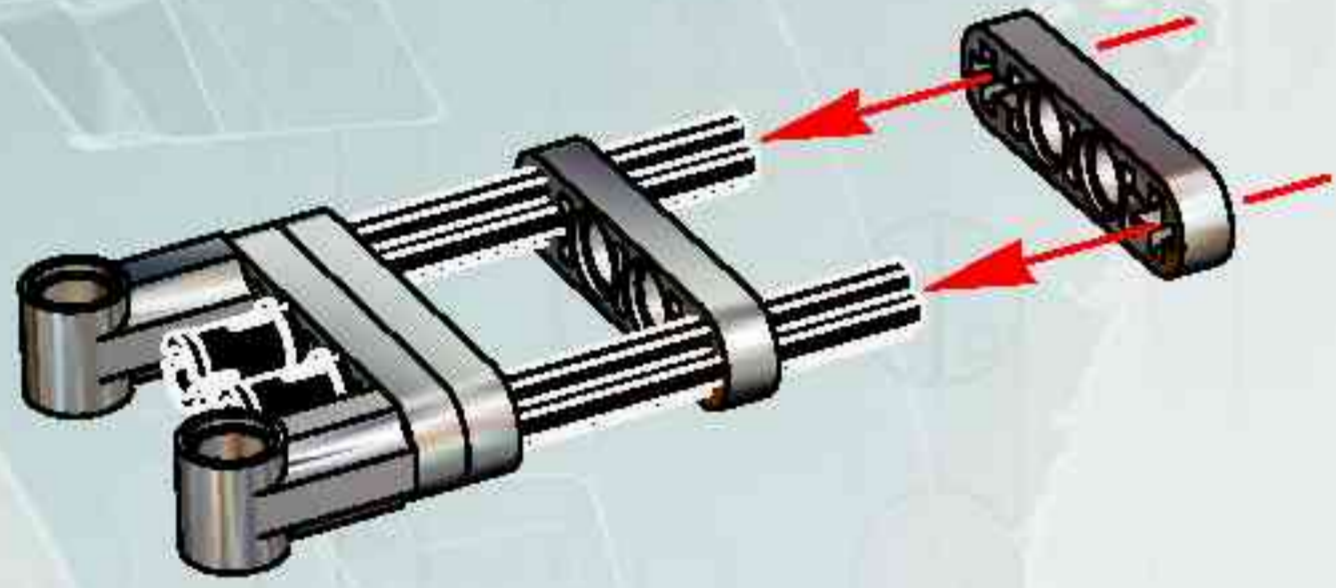
2



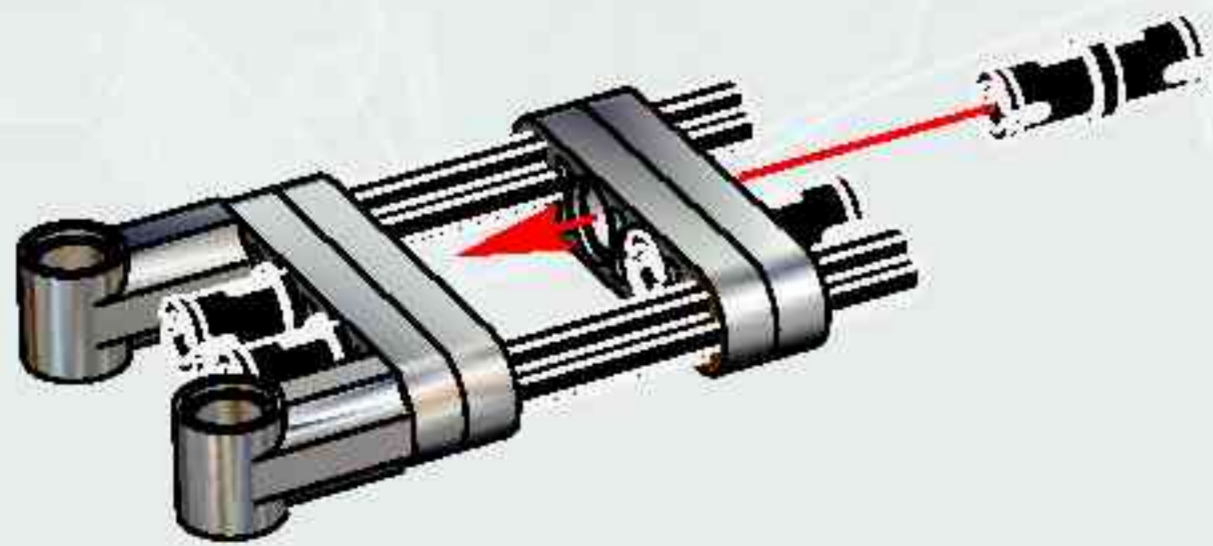
3



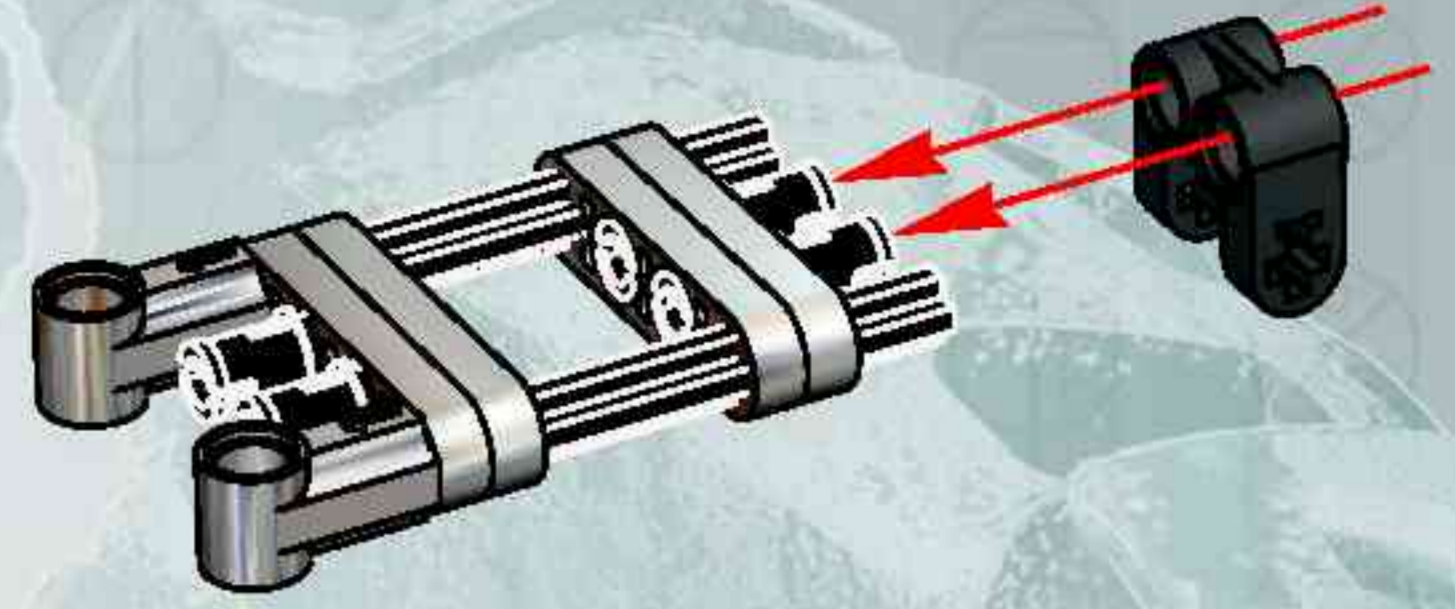
4



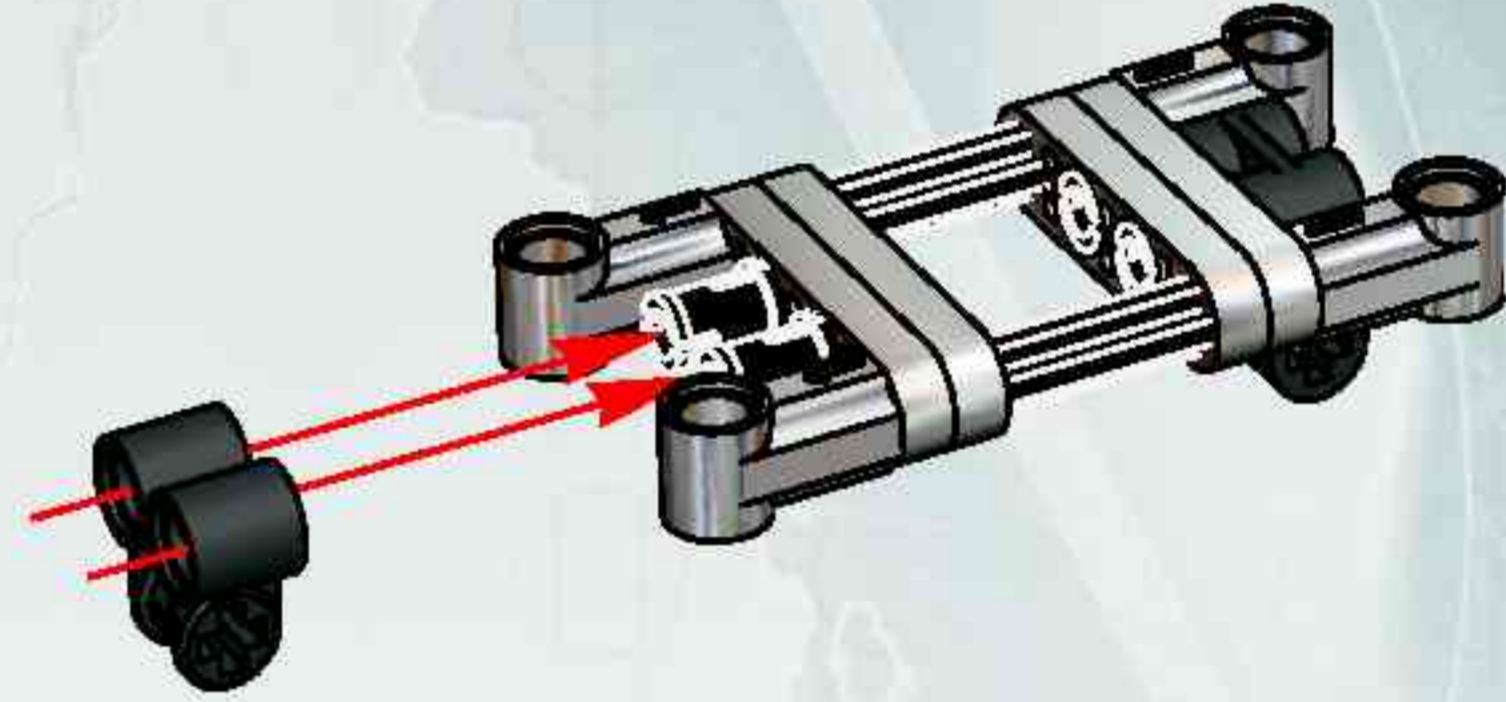
5



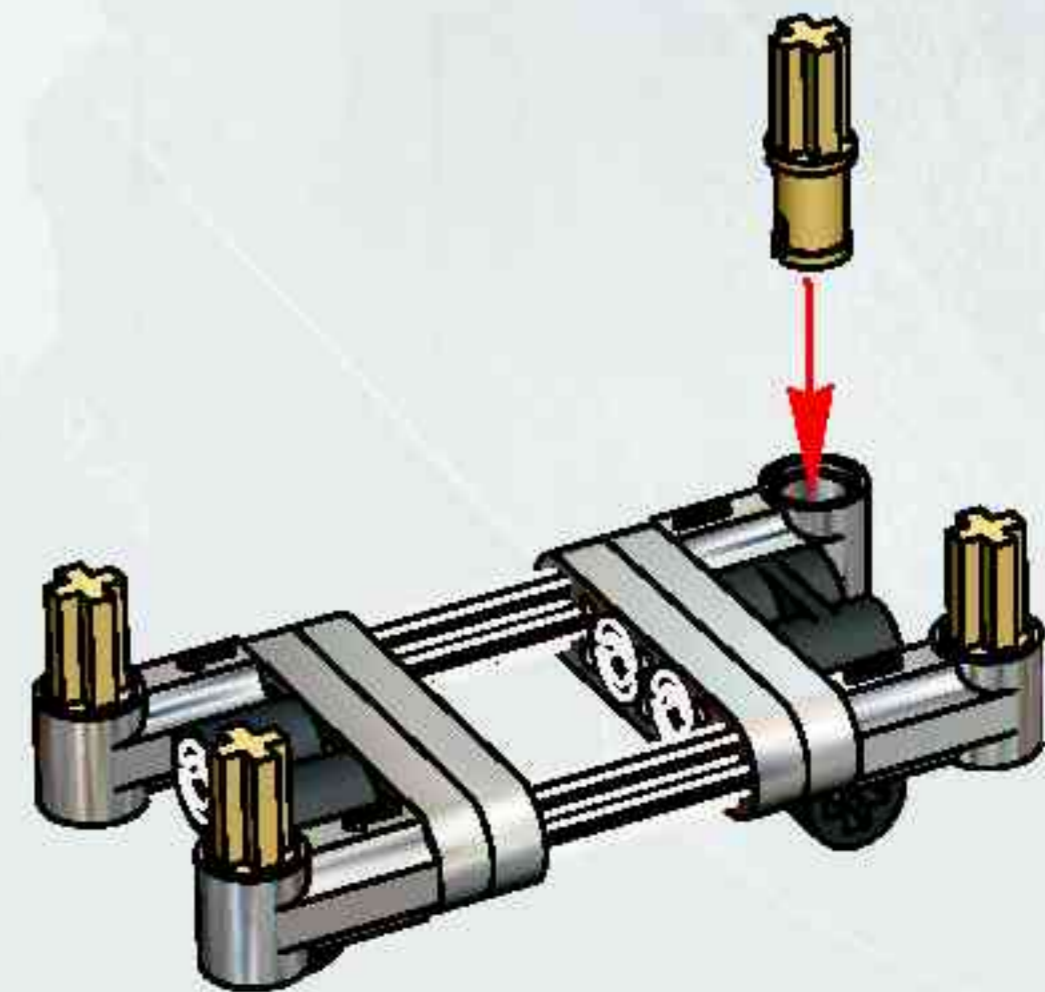
6

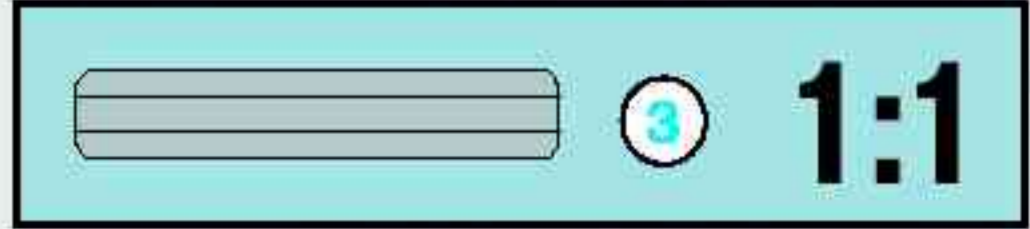
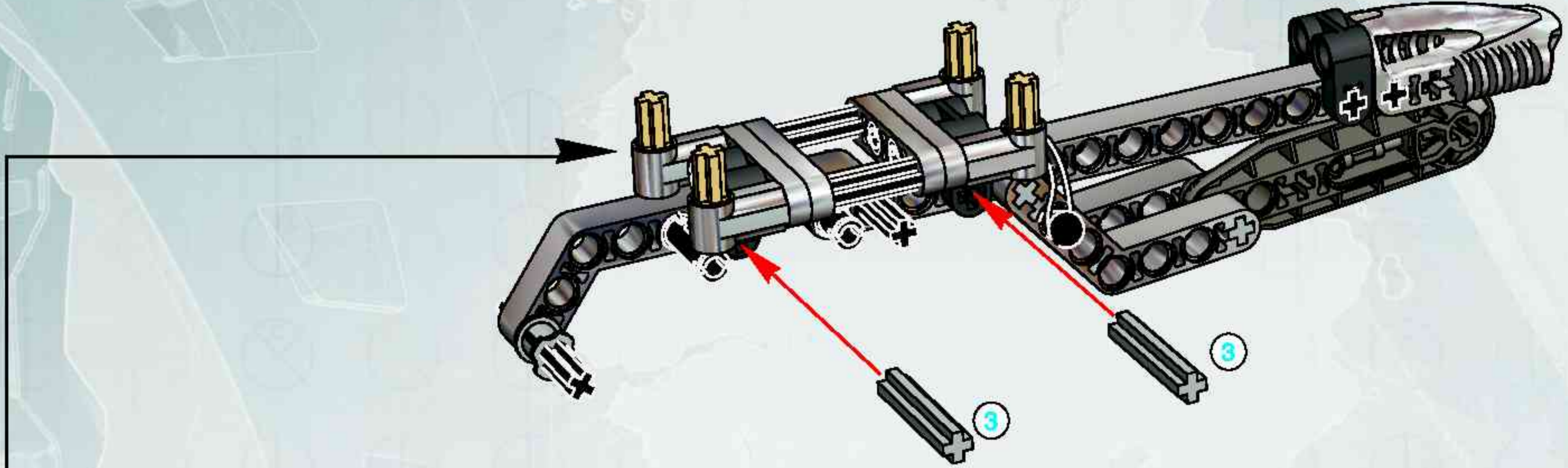


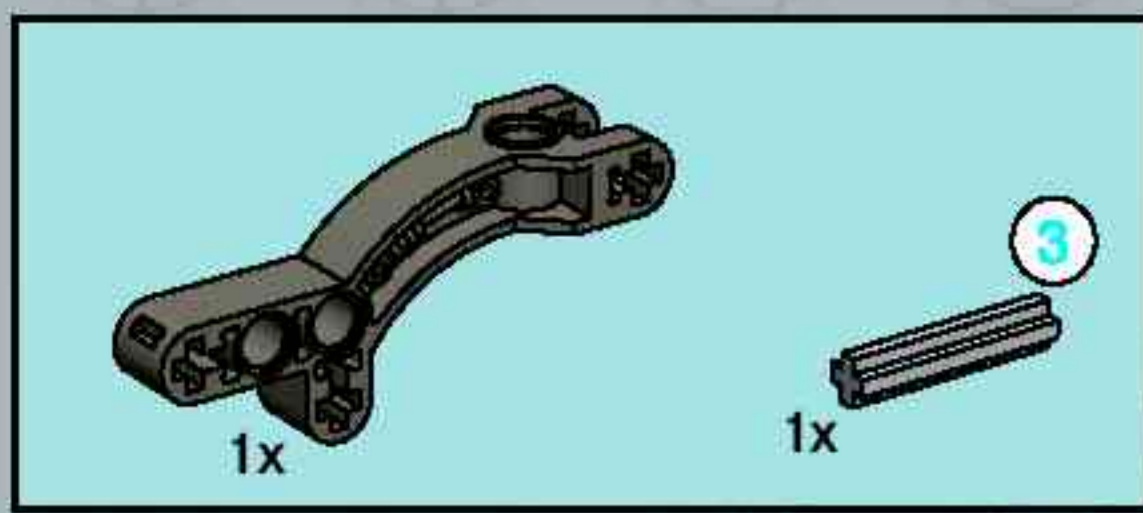
7



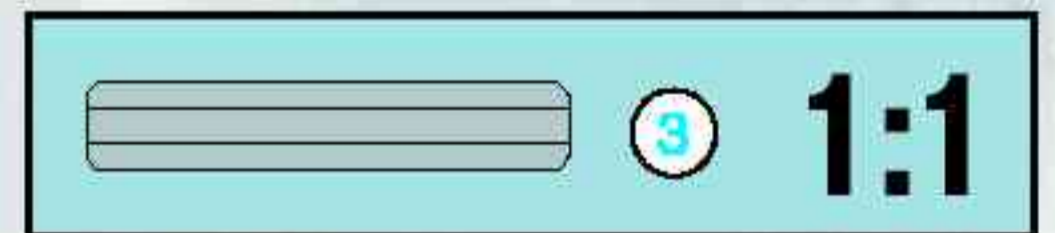
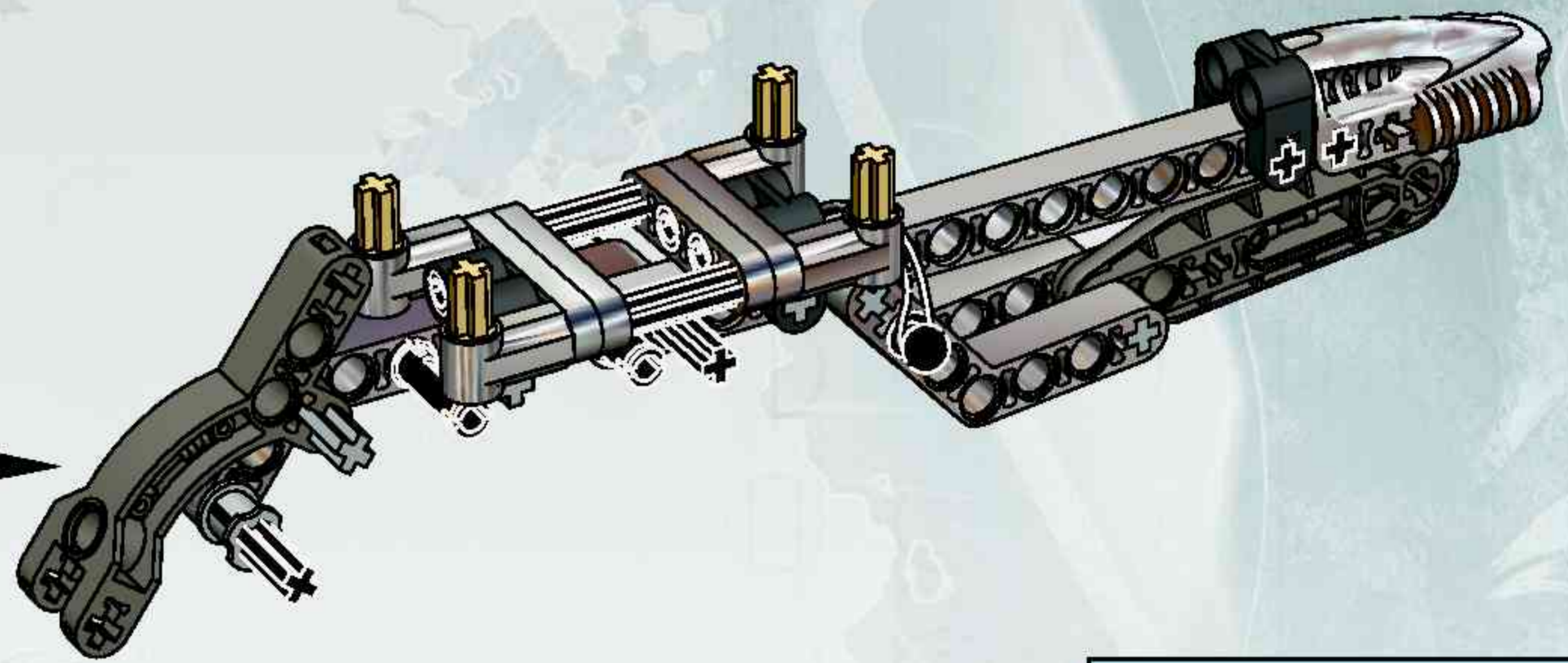
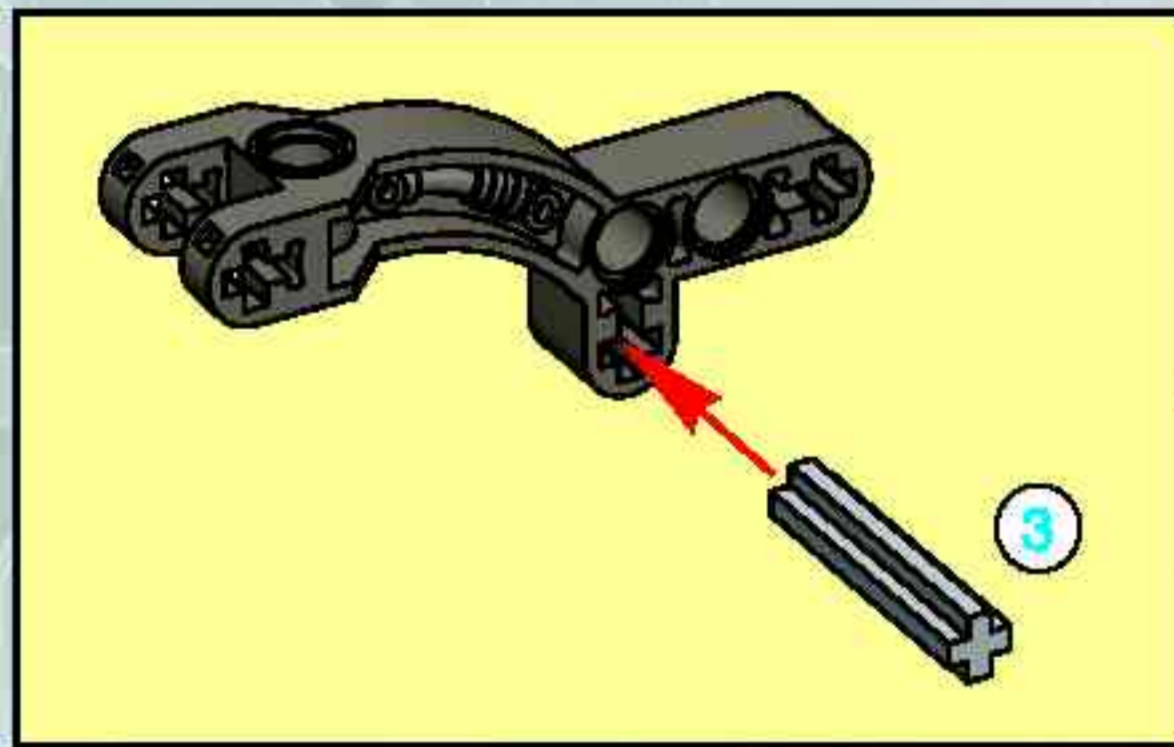
8

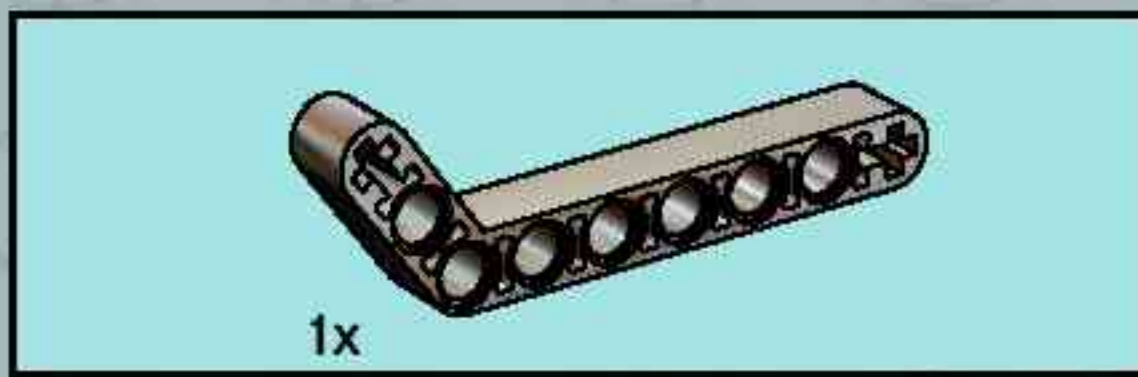




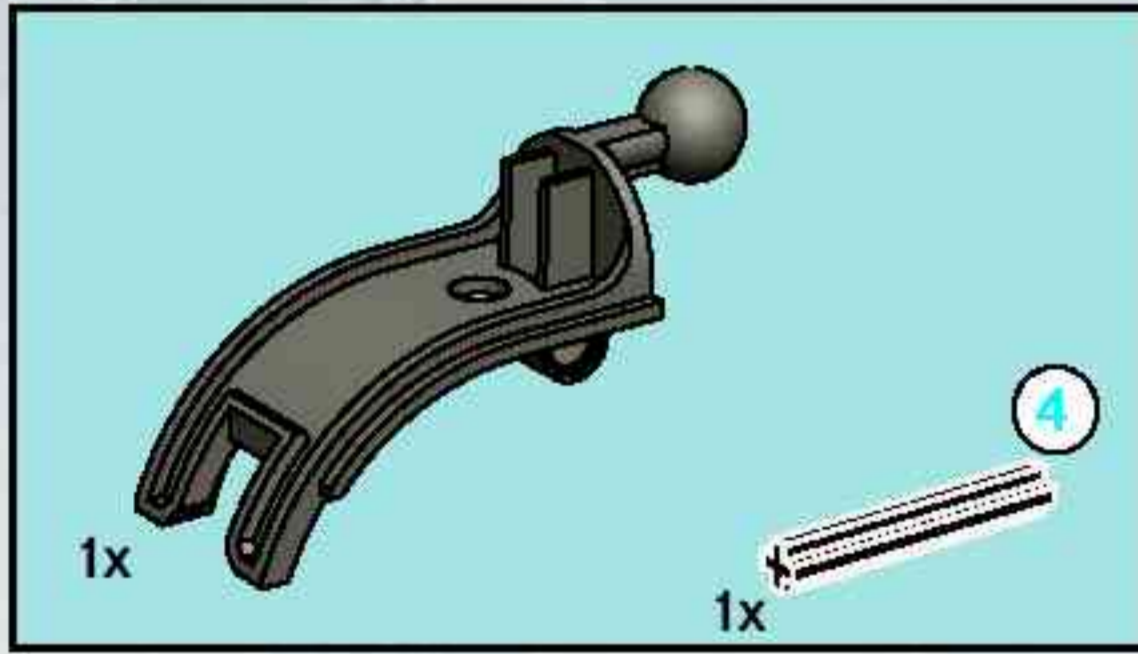
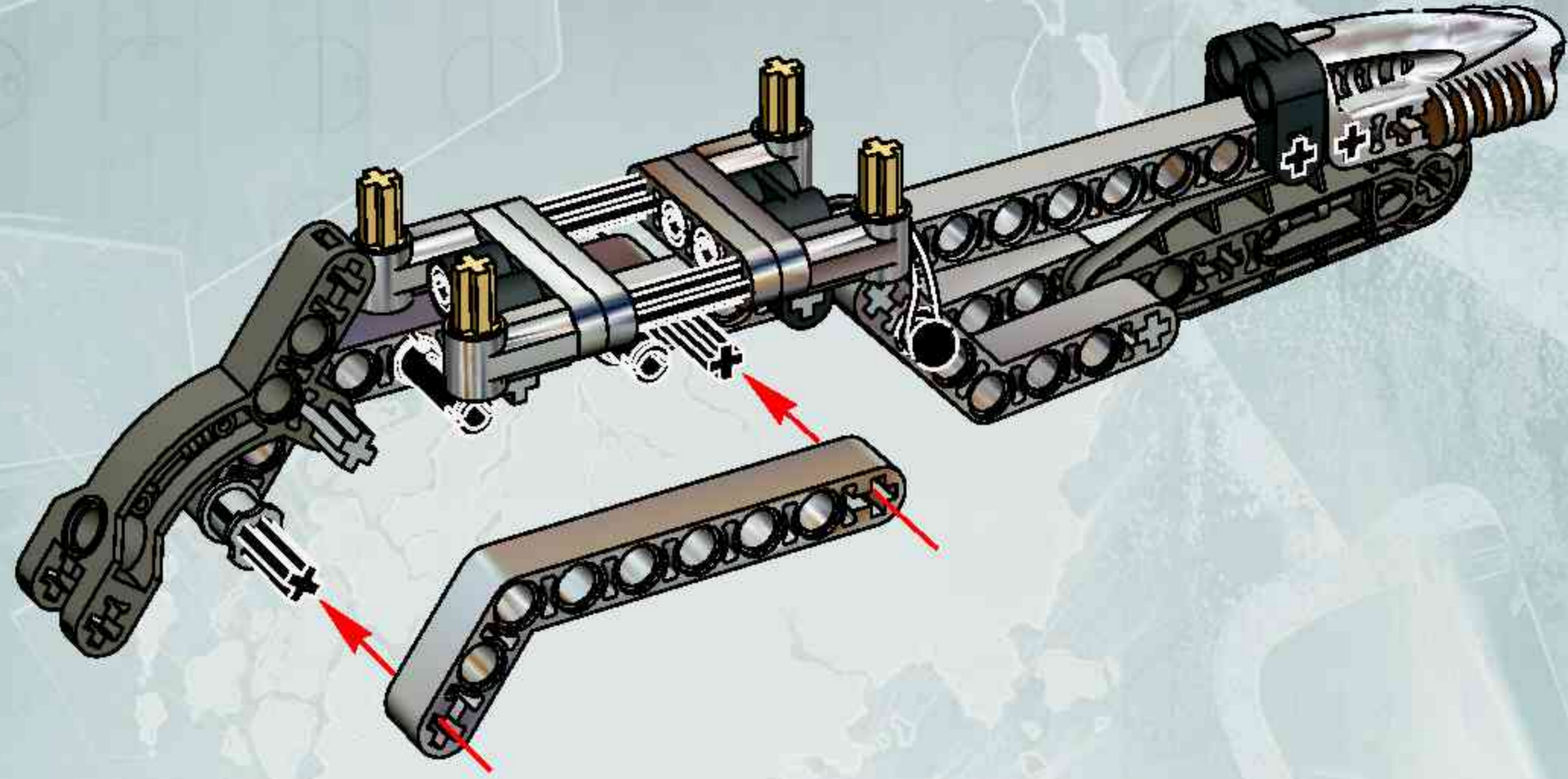


10

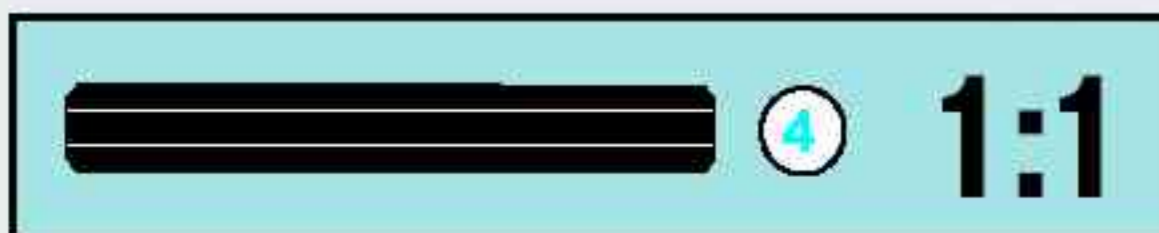
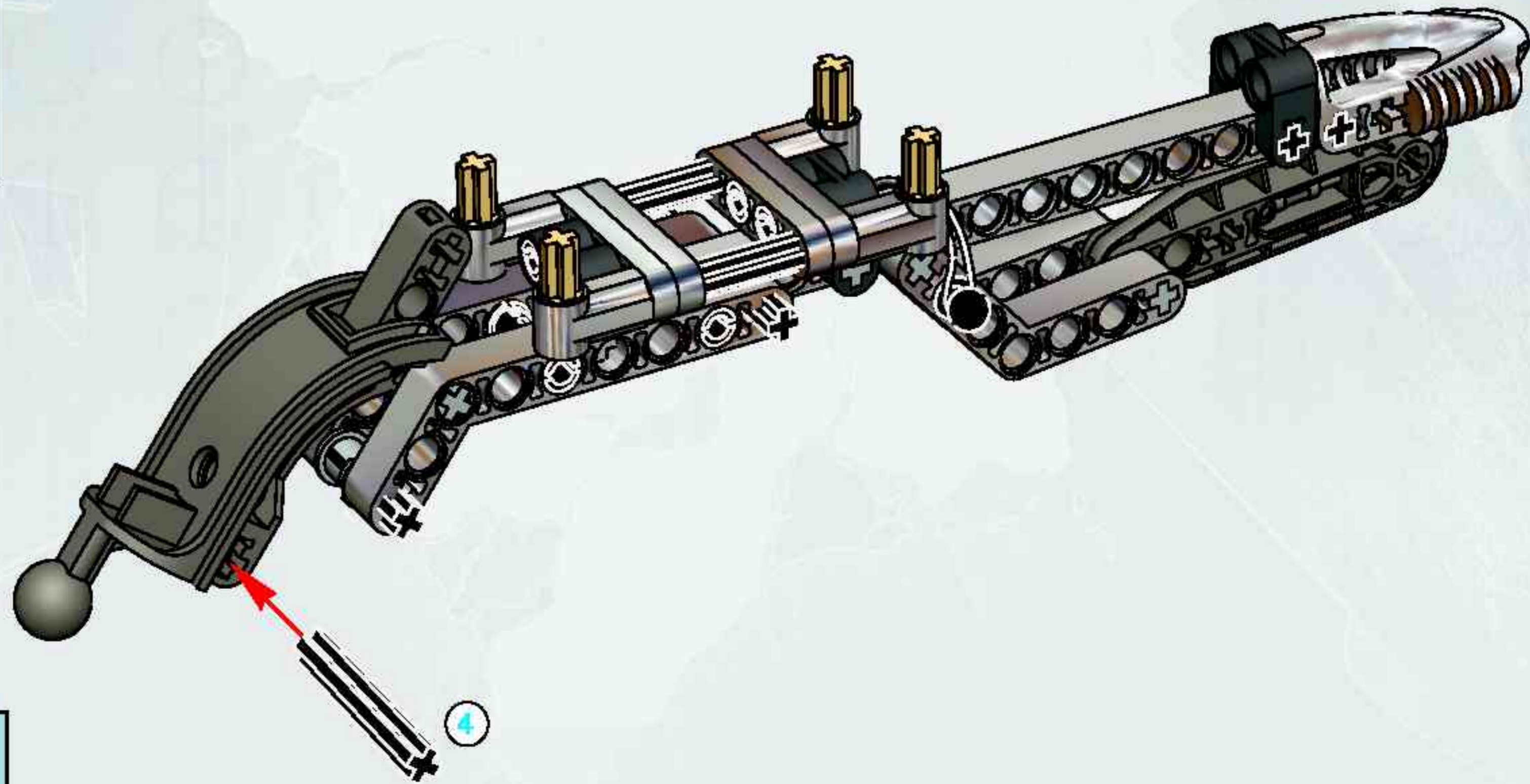




11



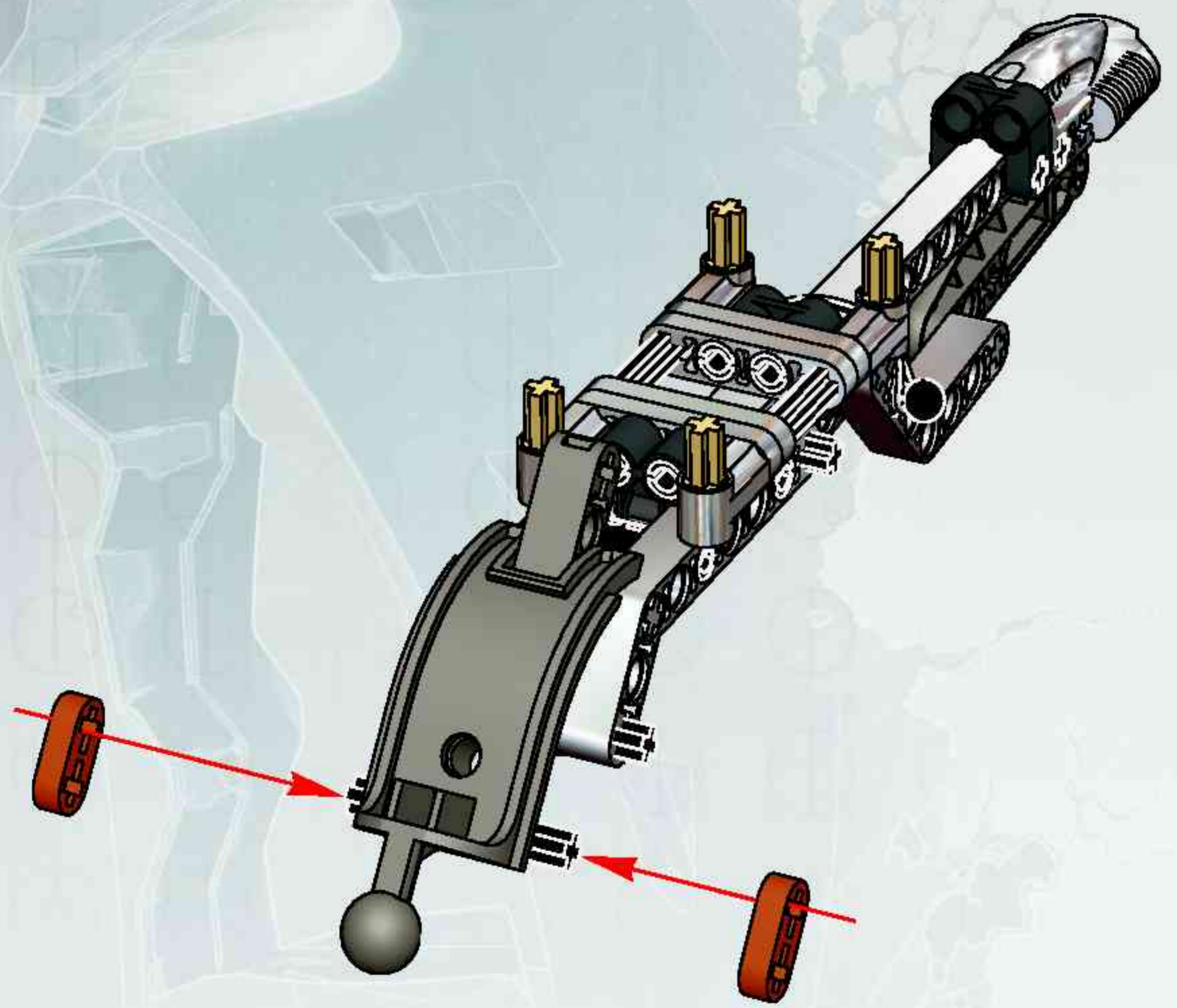
12





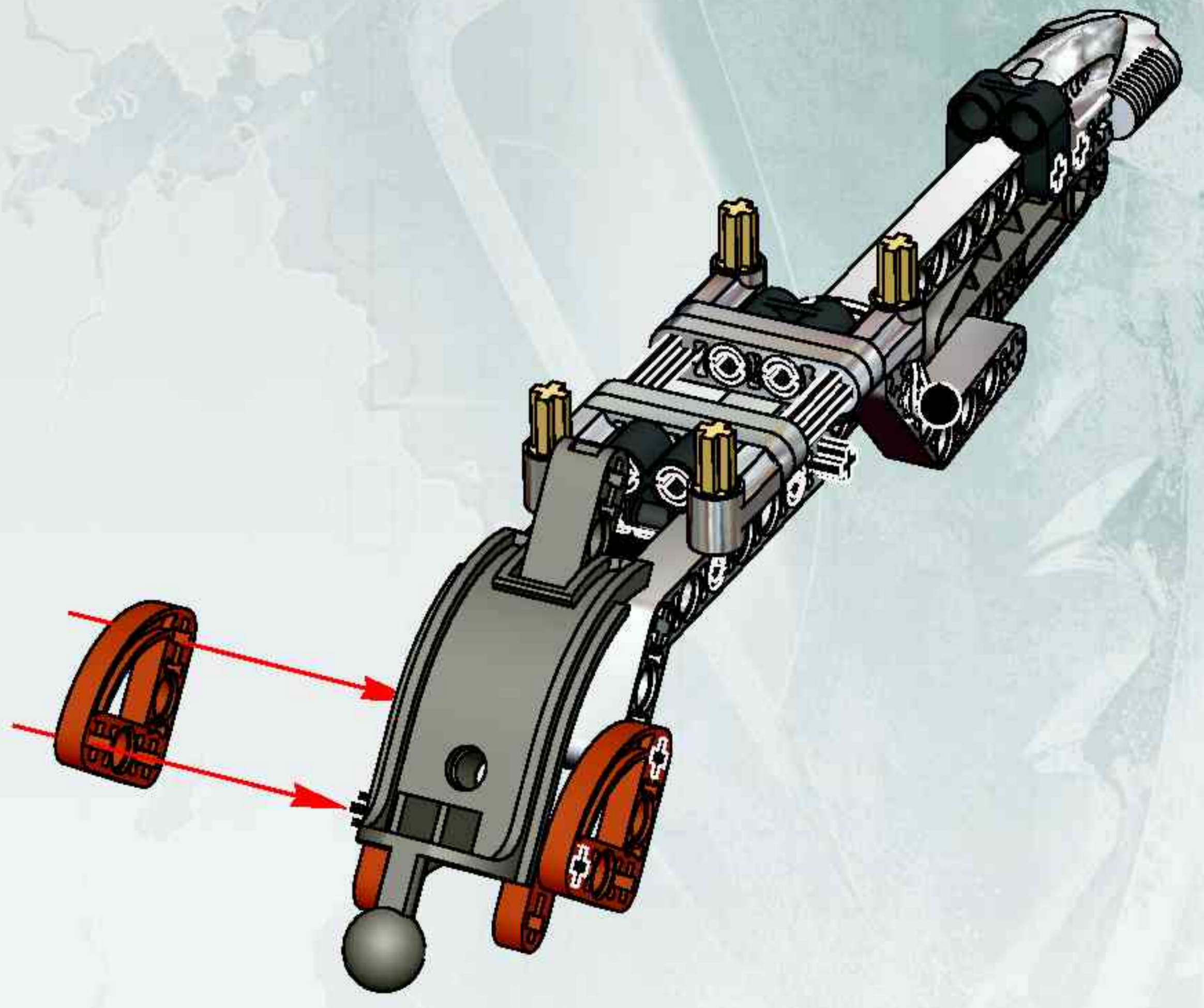
2x

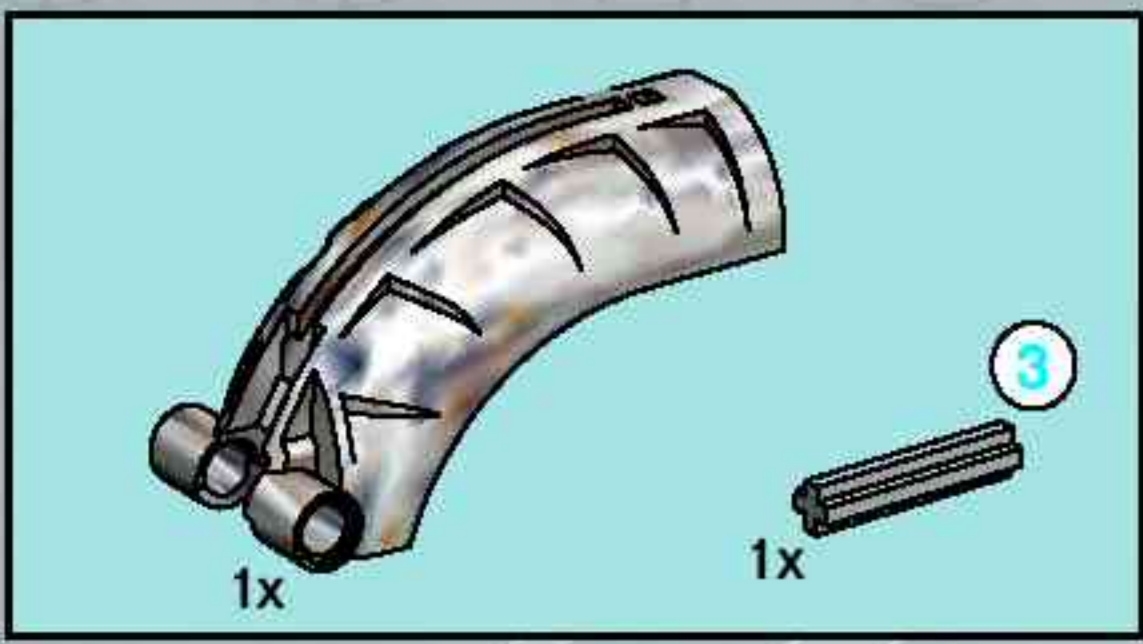
13



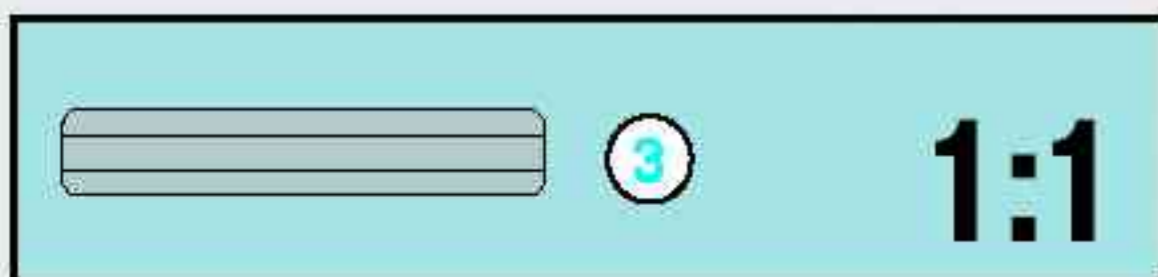
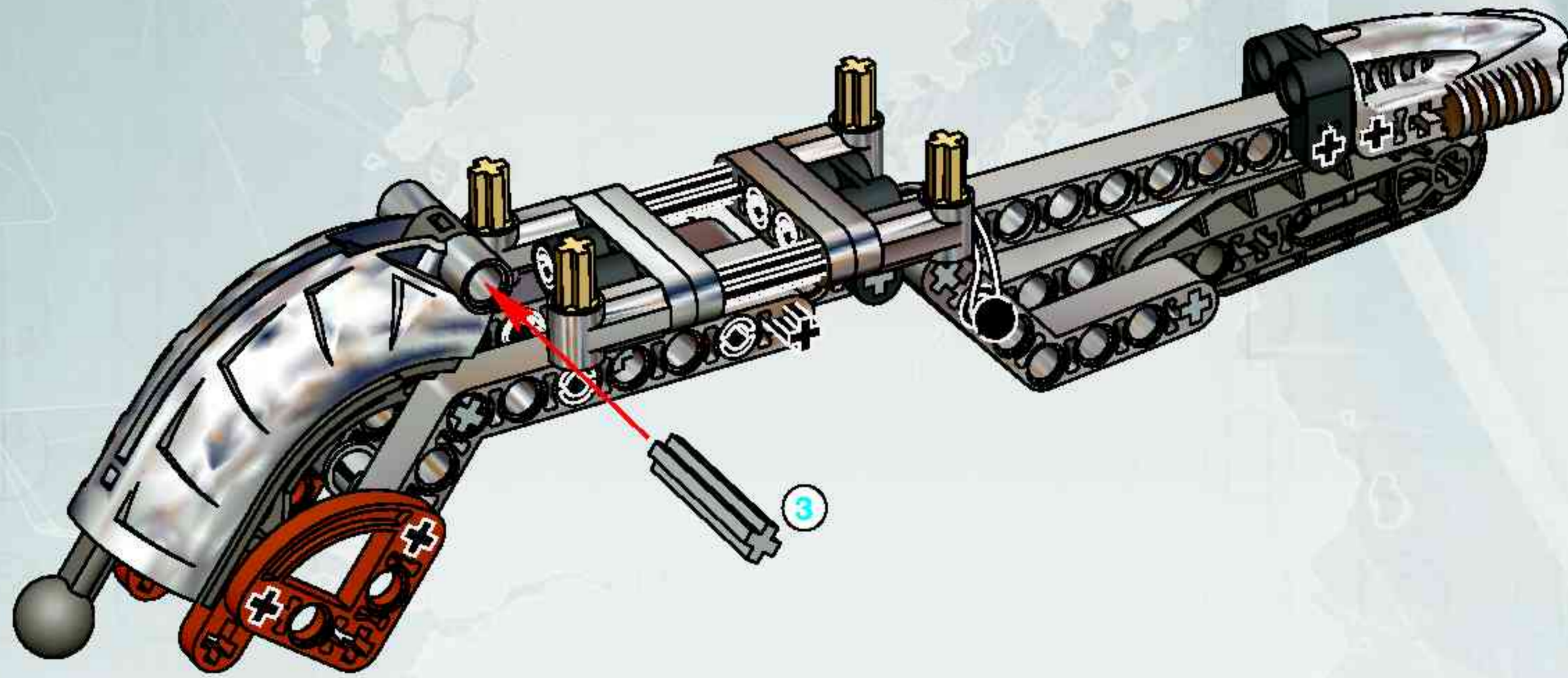
2x

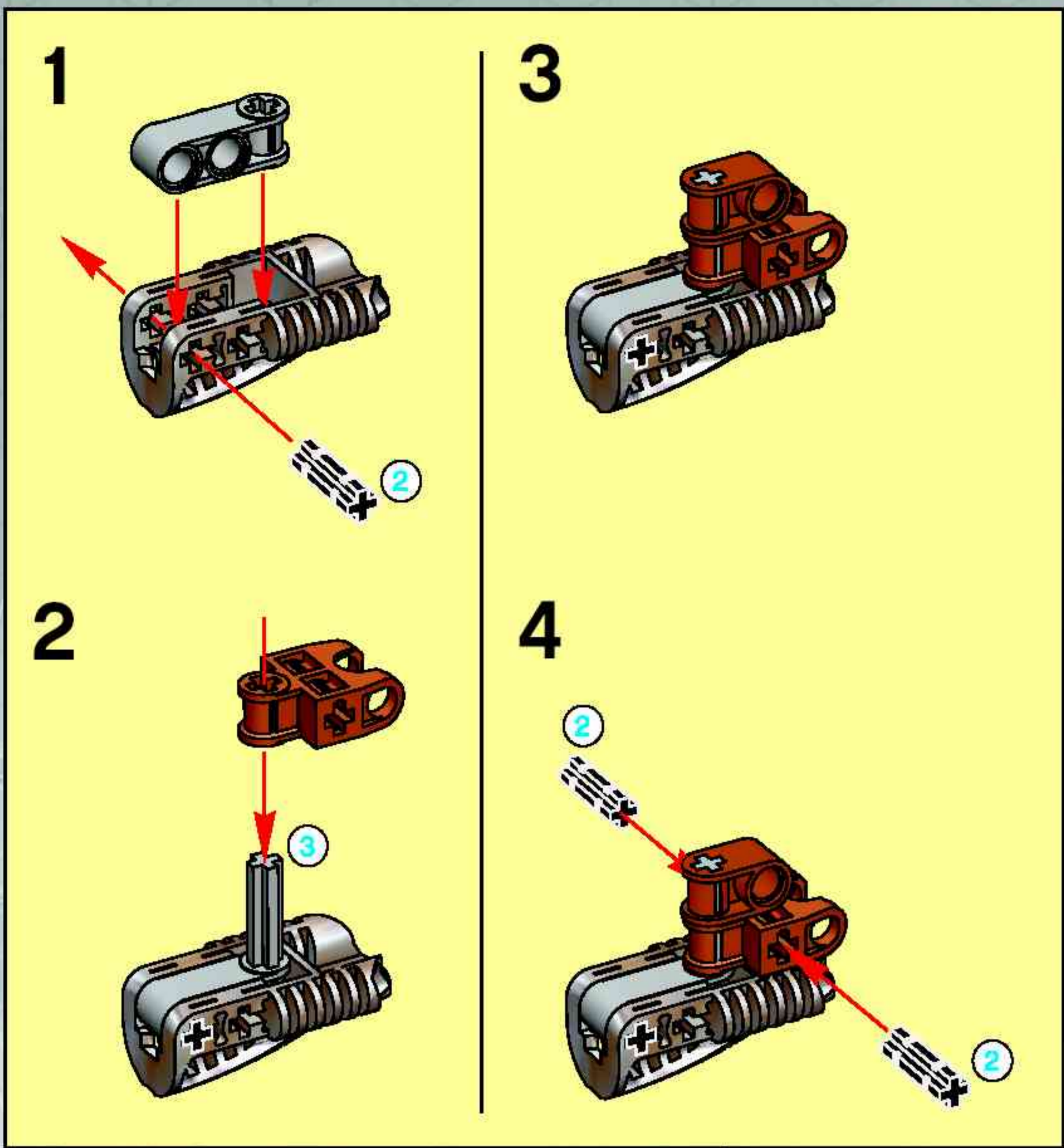
14



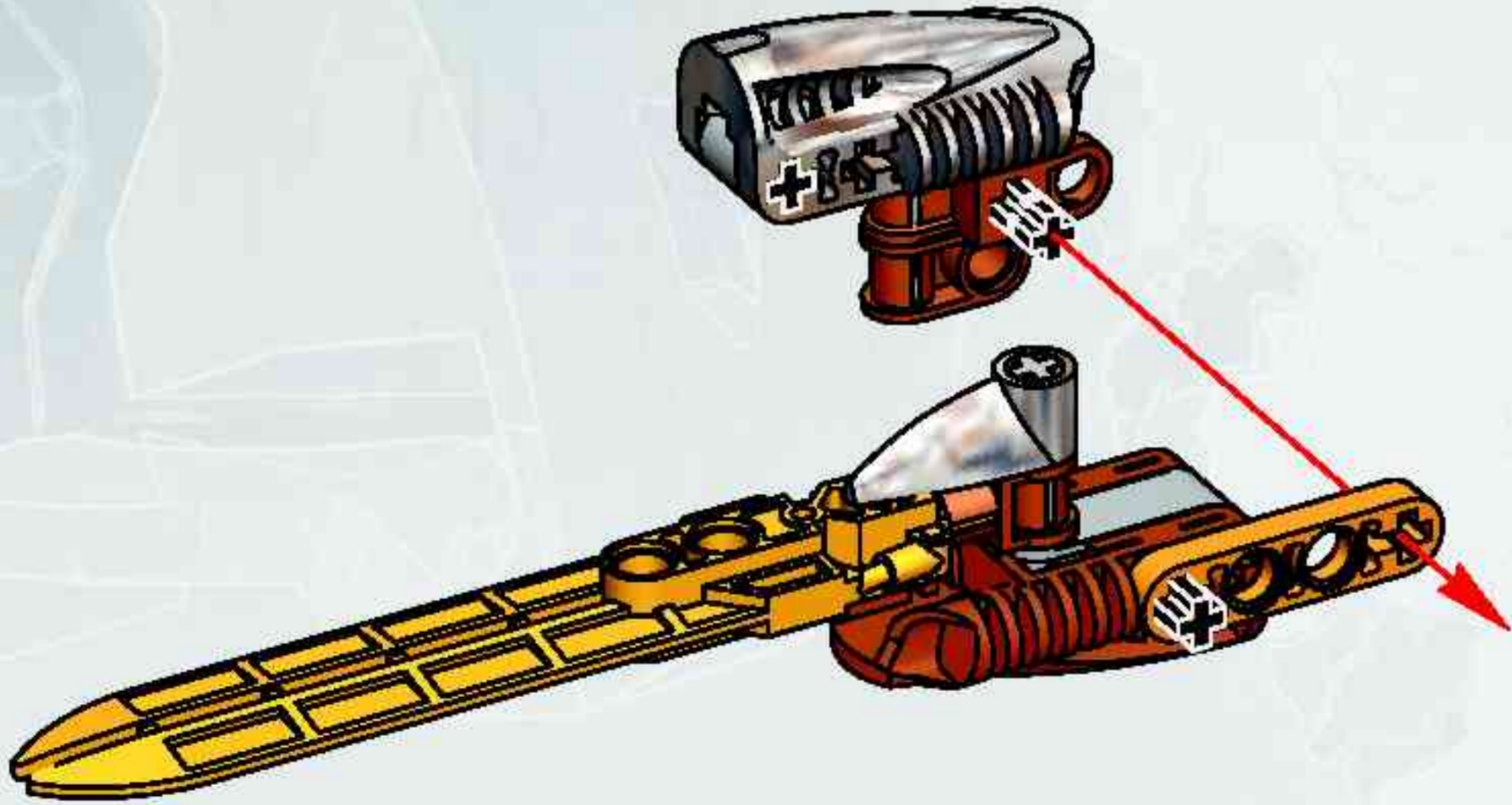


15

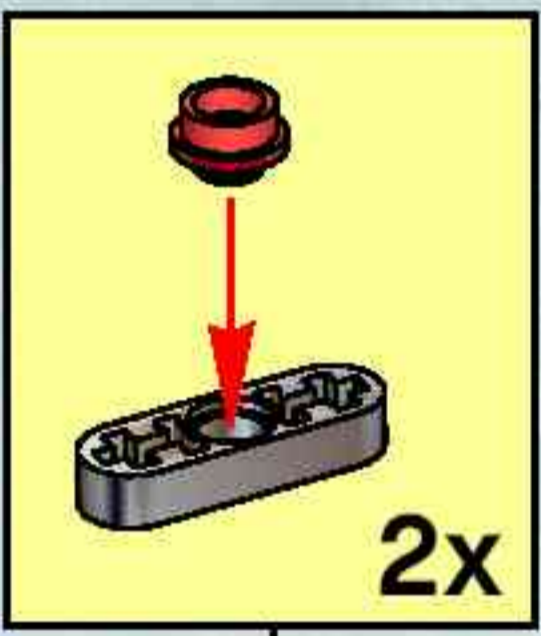
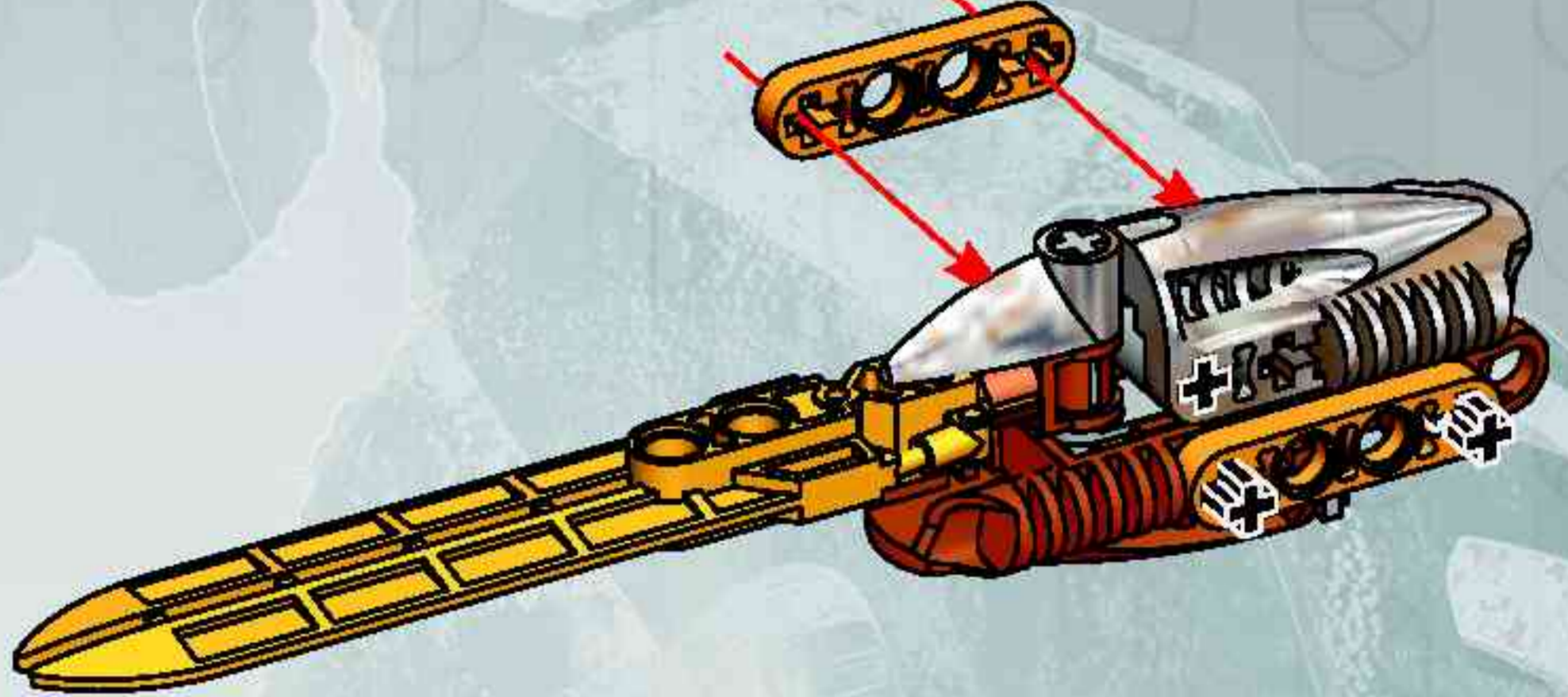




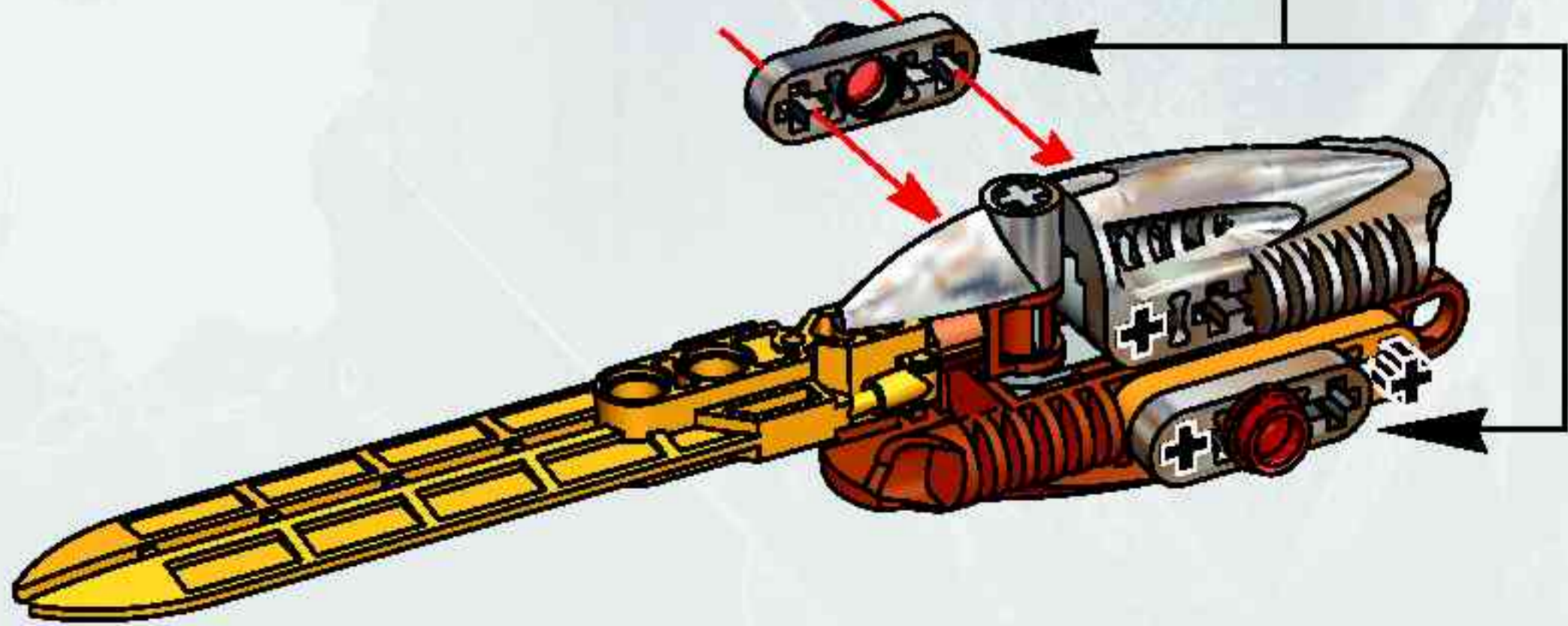
5



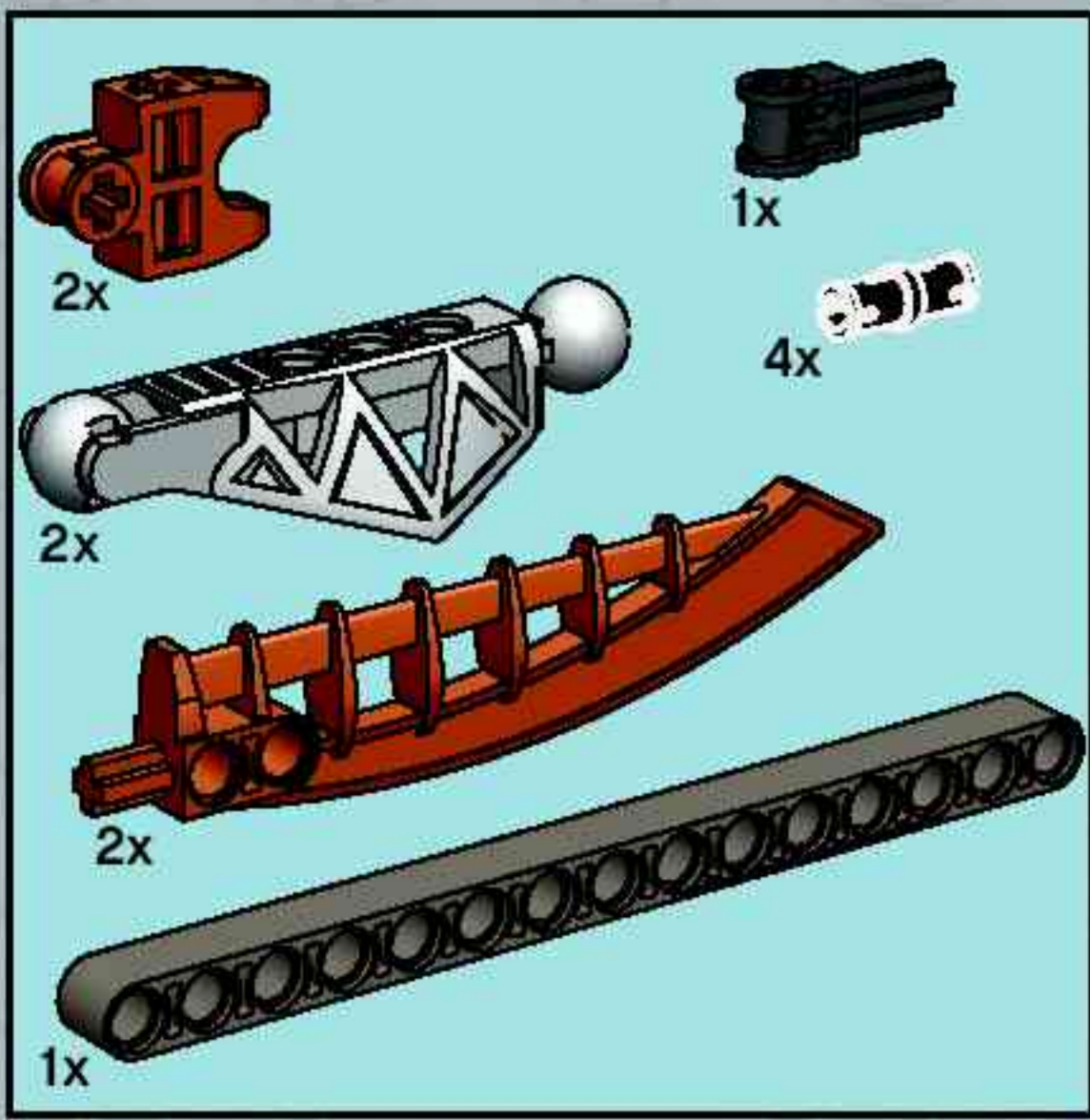
6



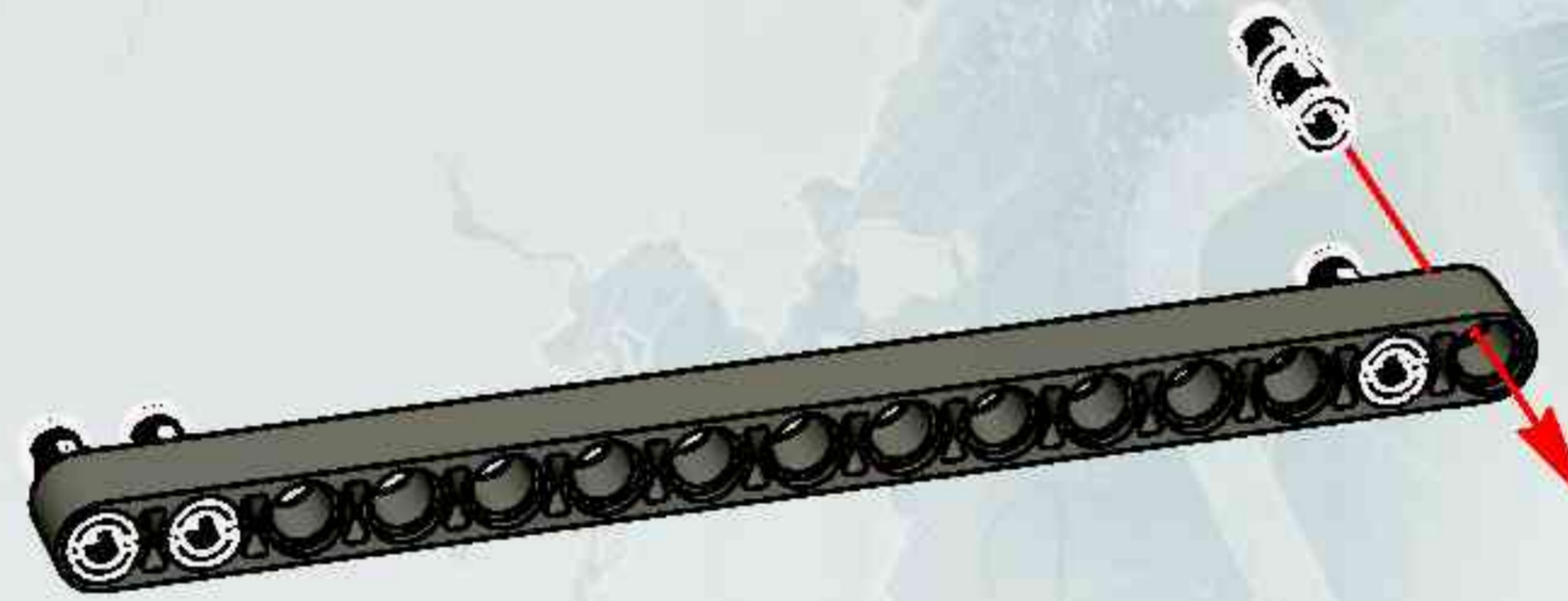
7



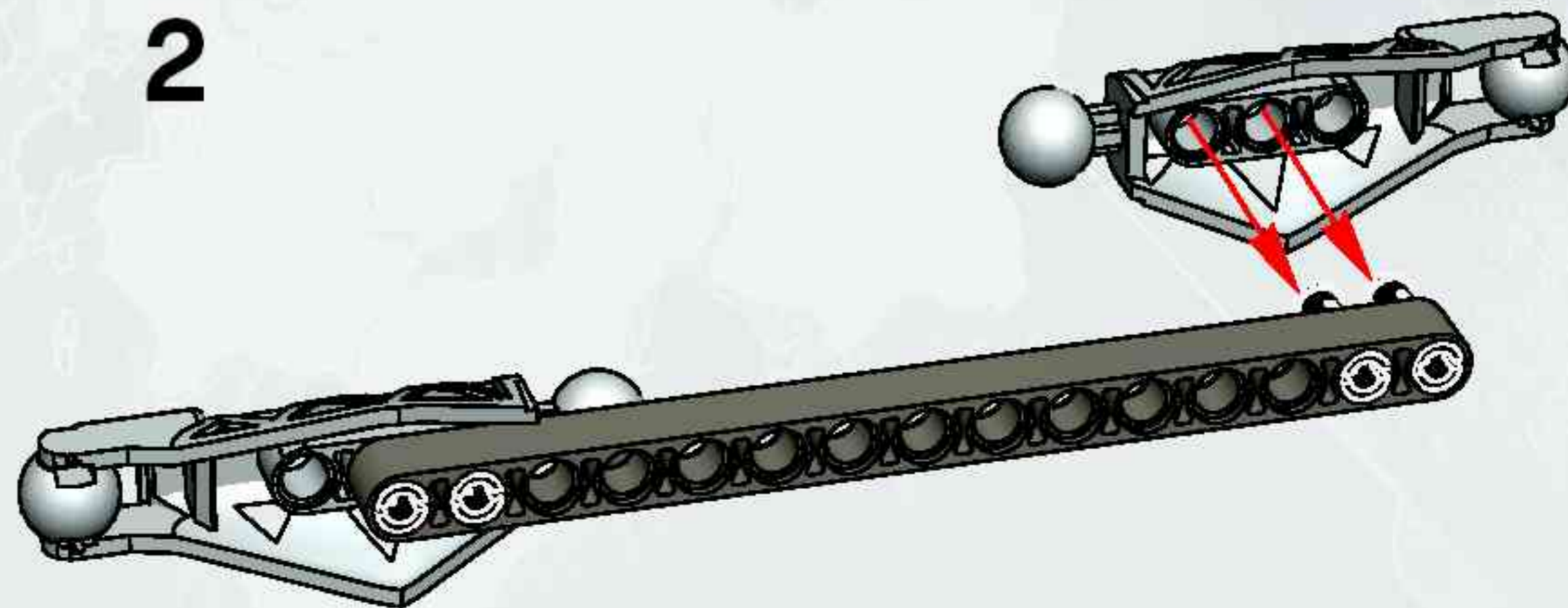




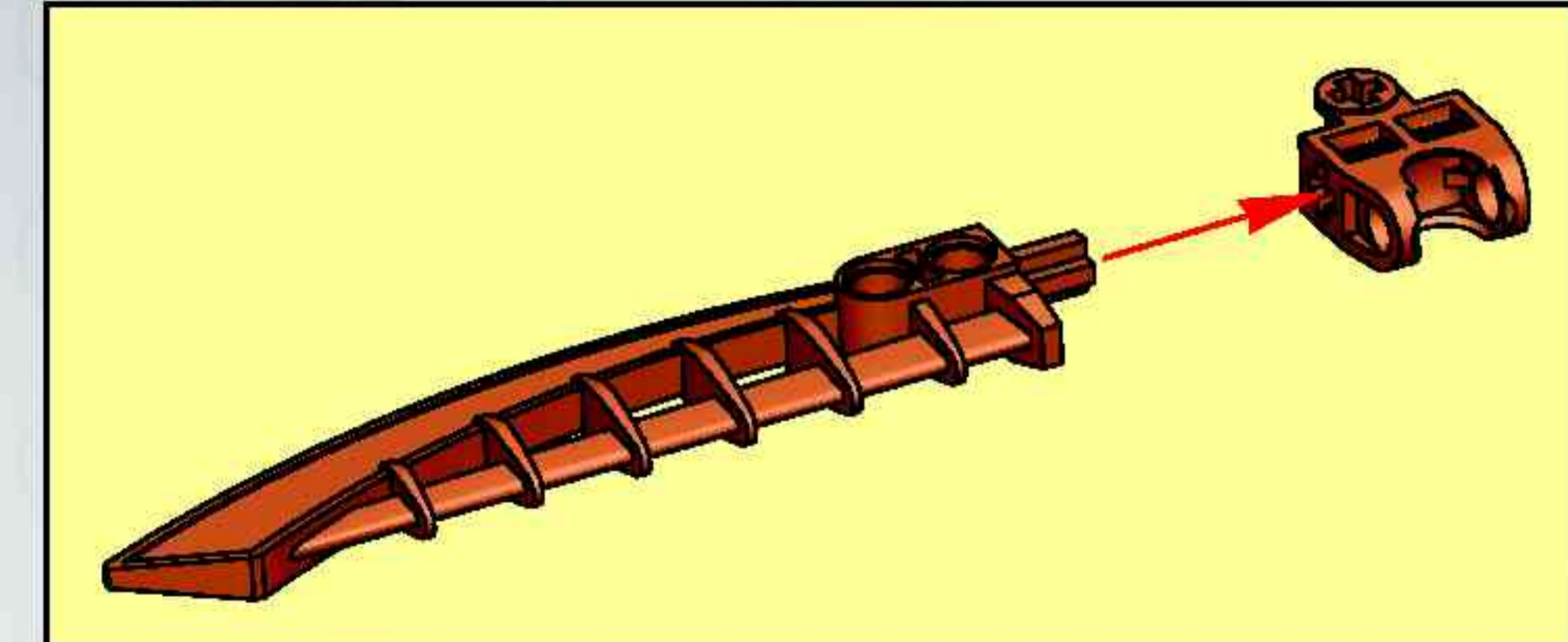
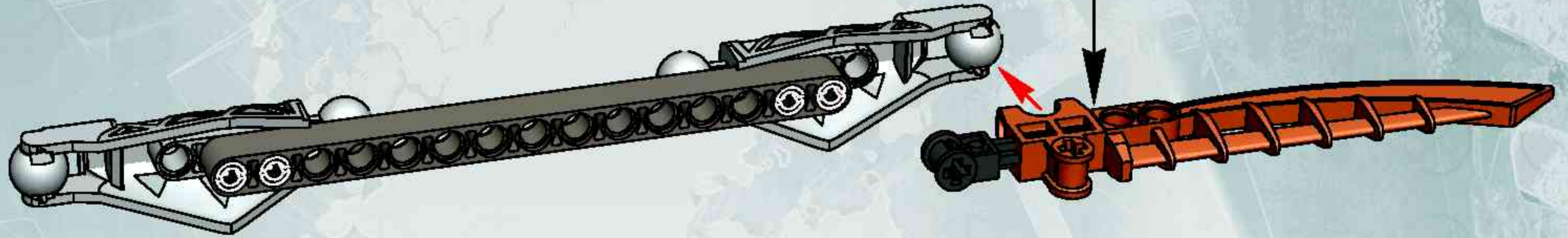
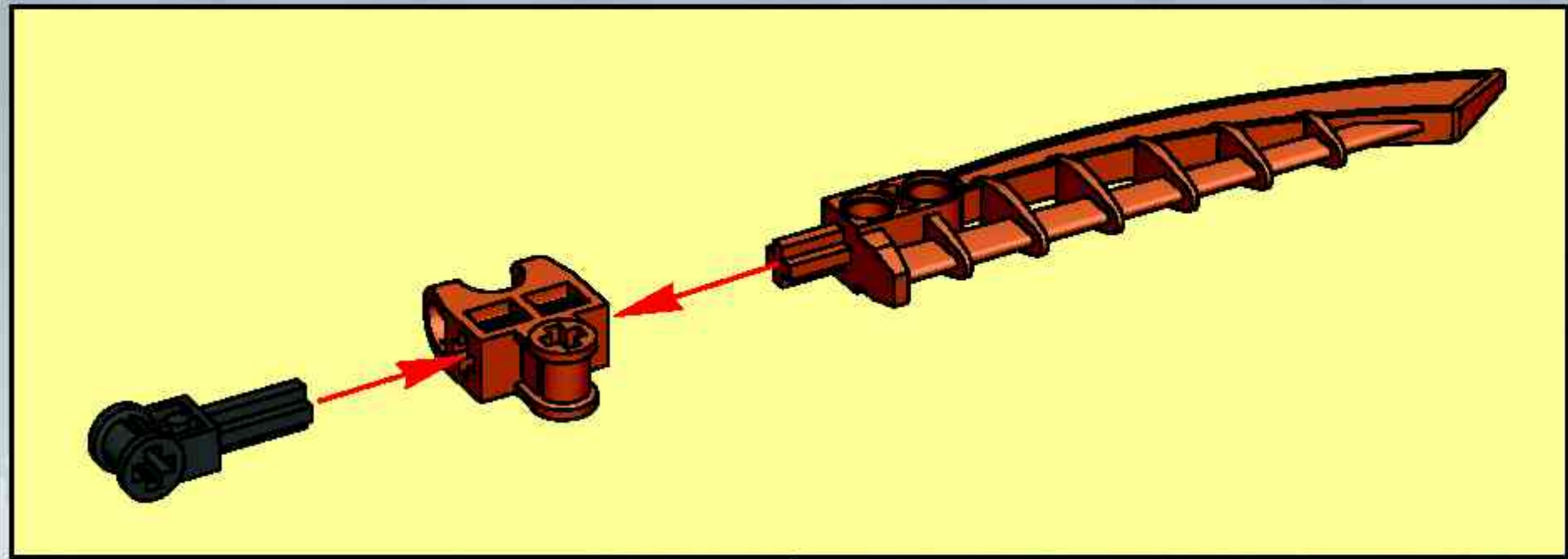
1



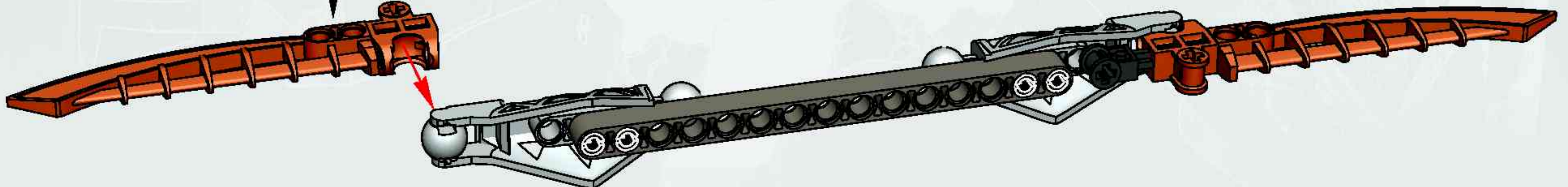
2

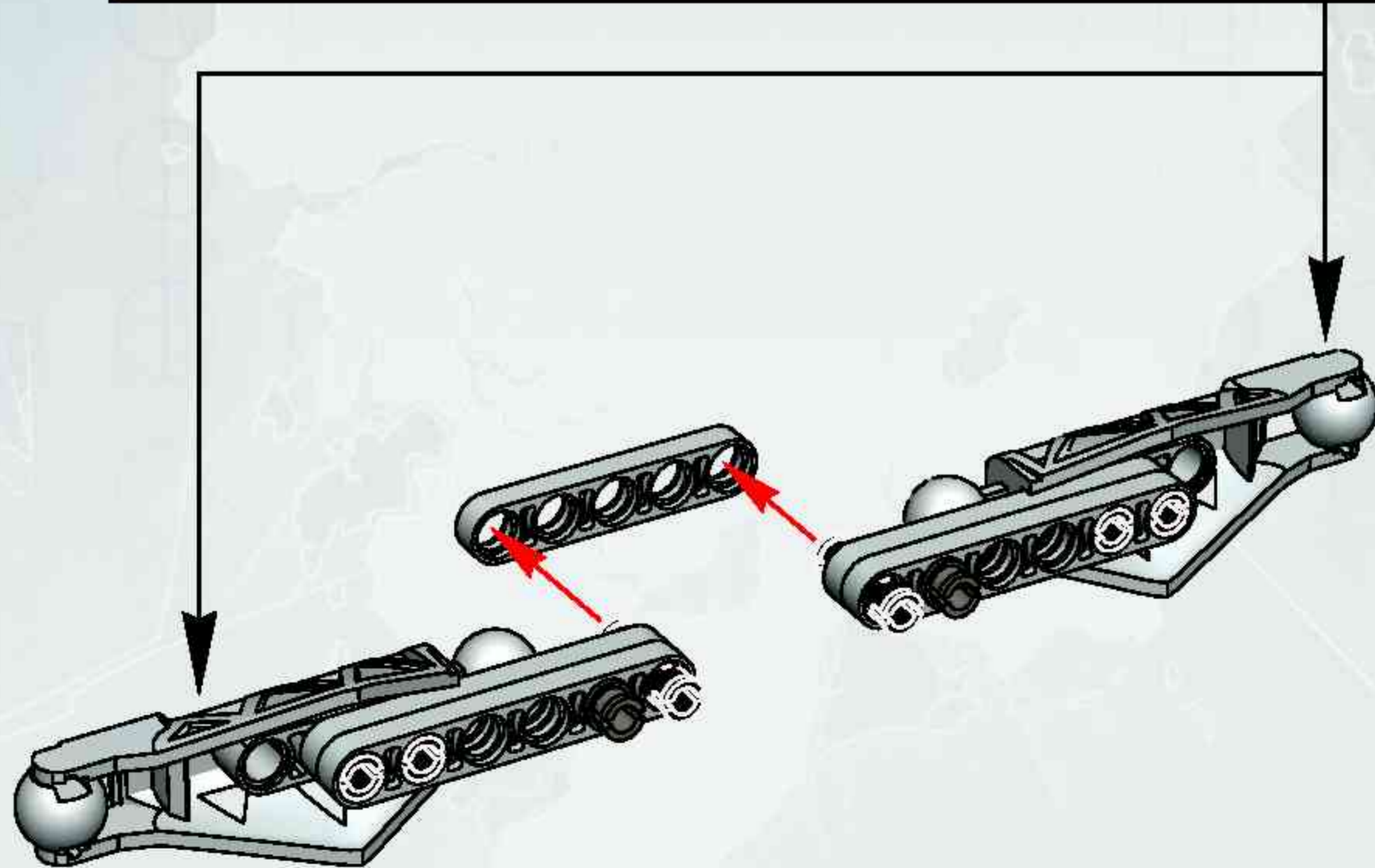
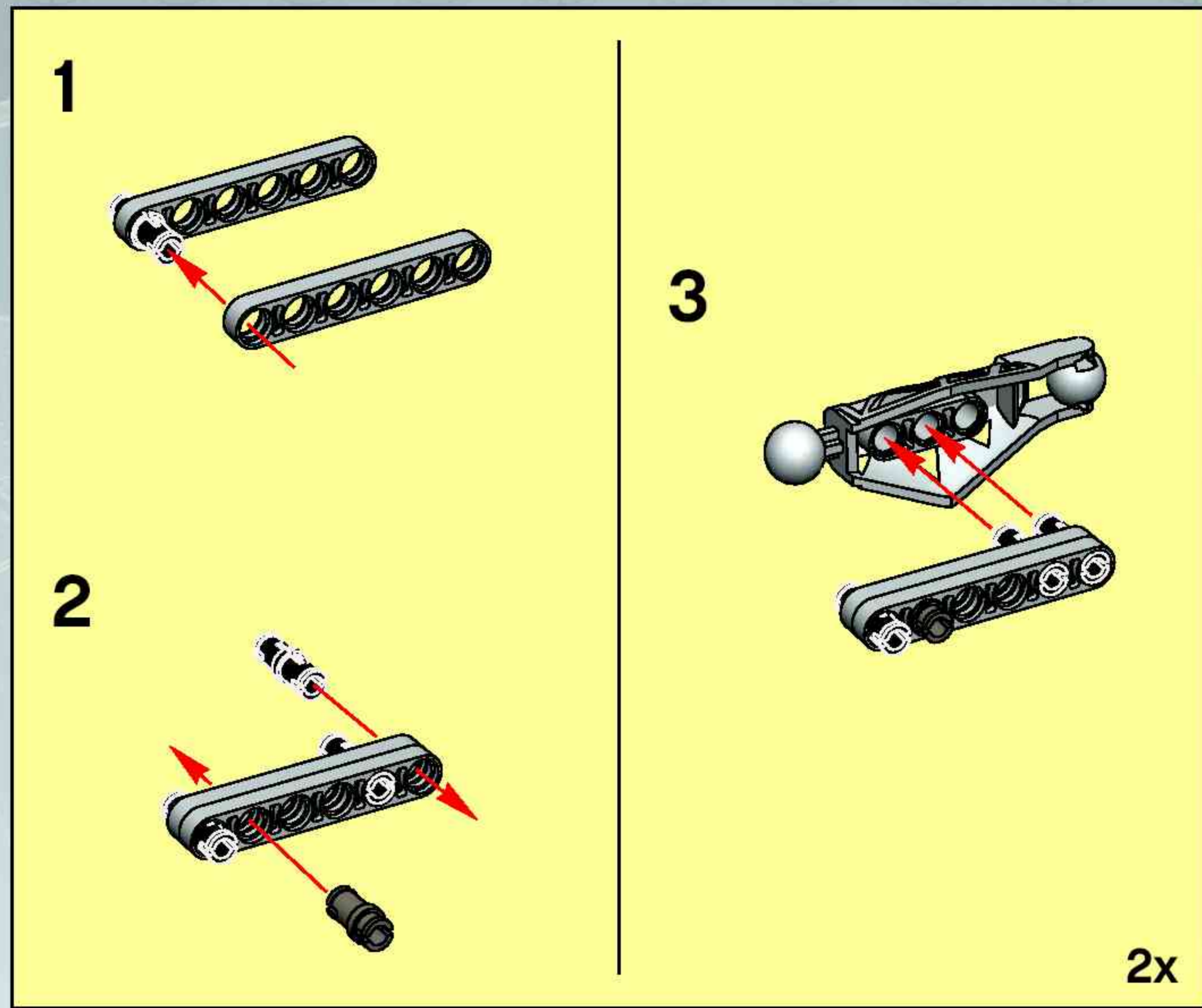
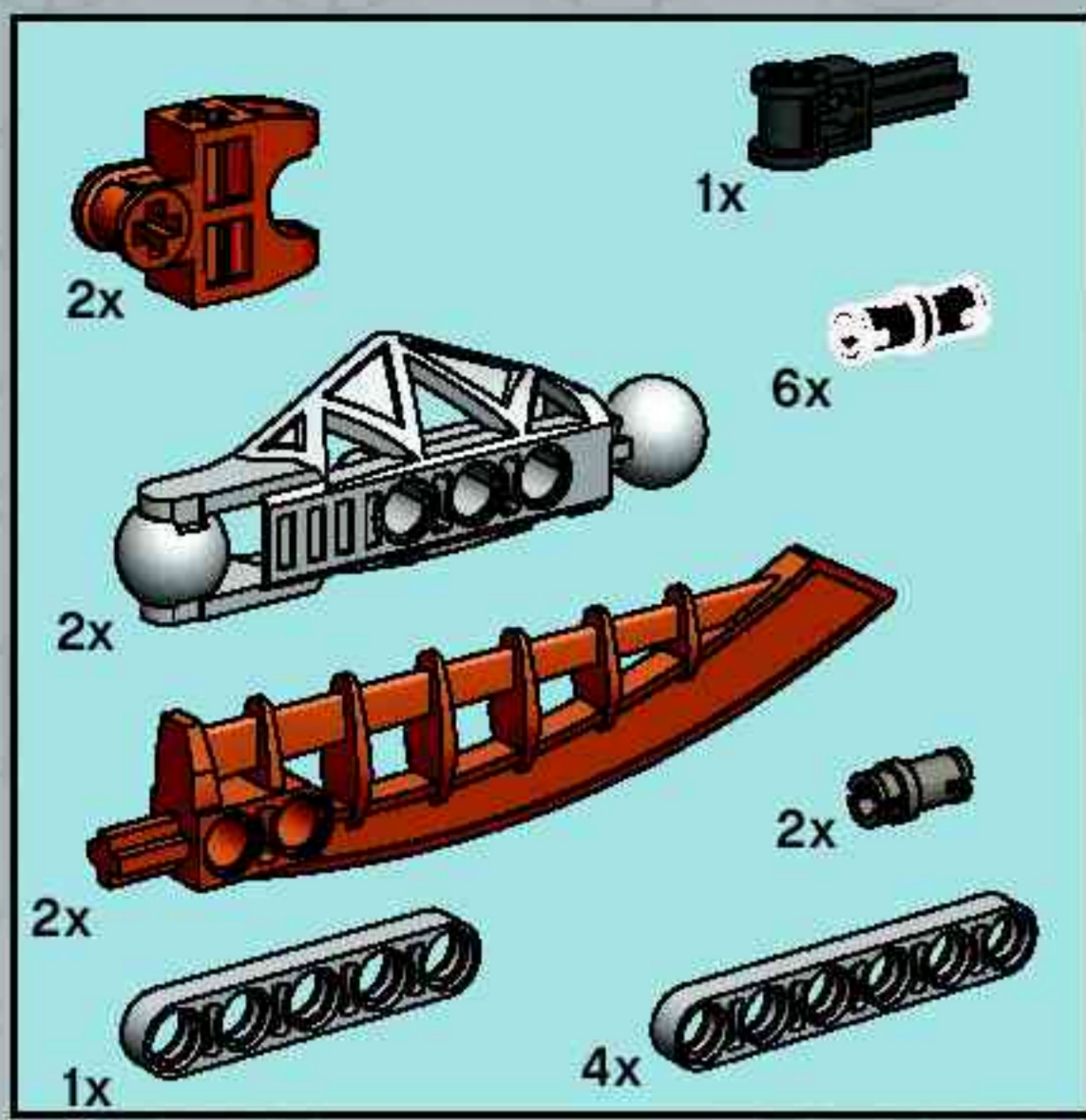


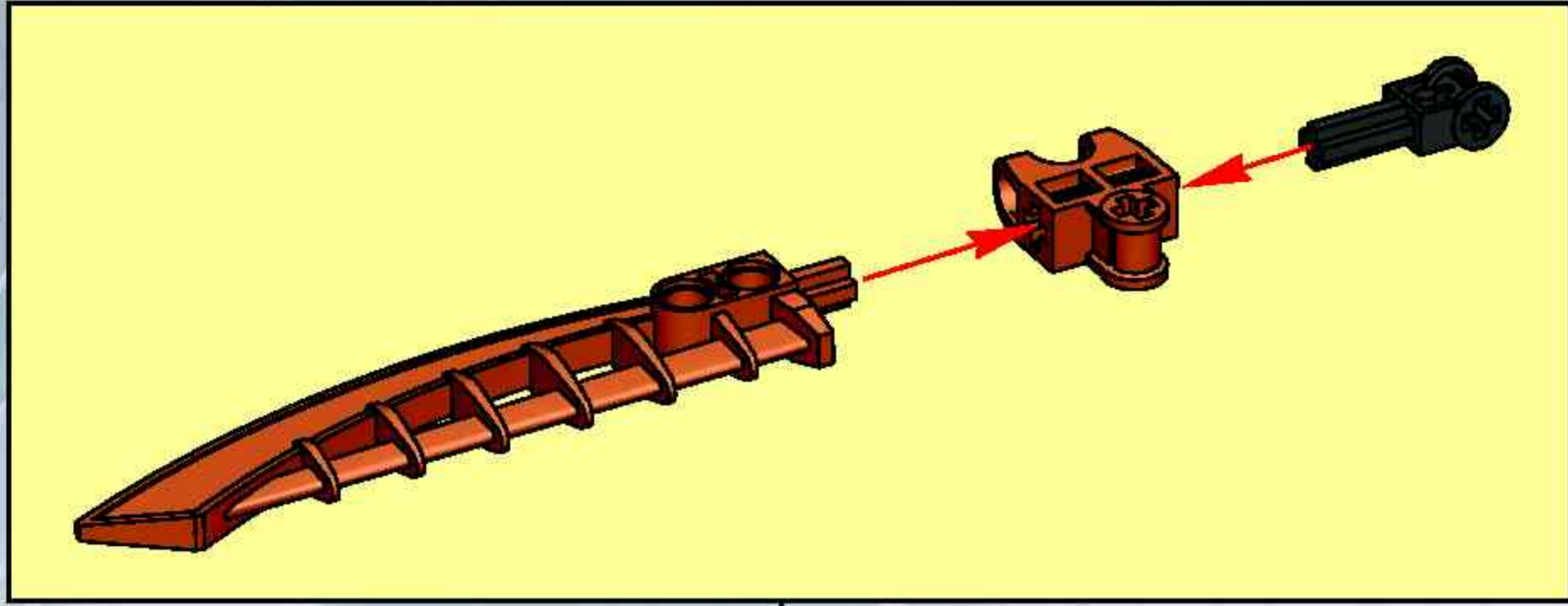
3



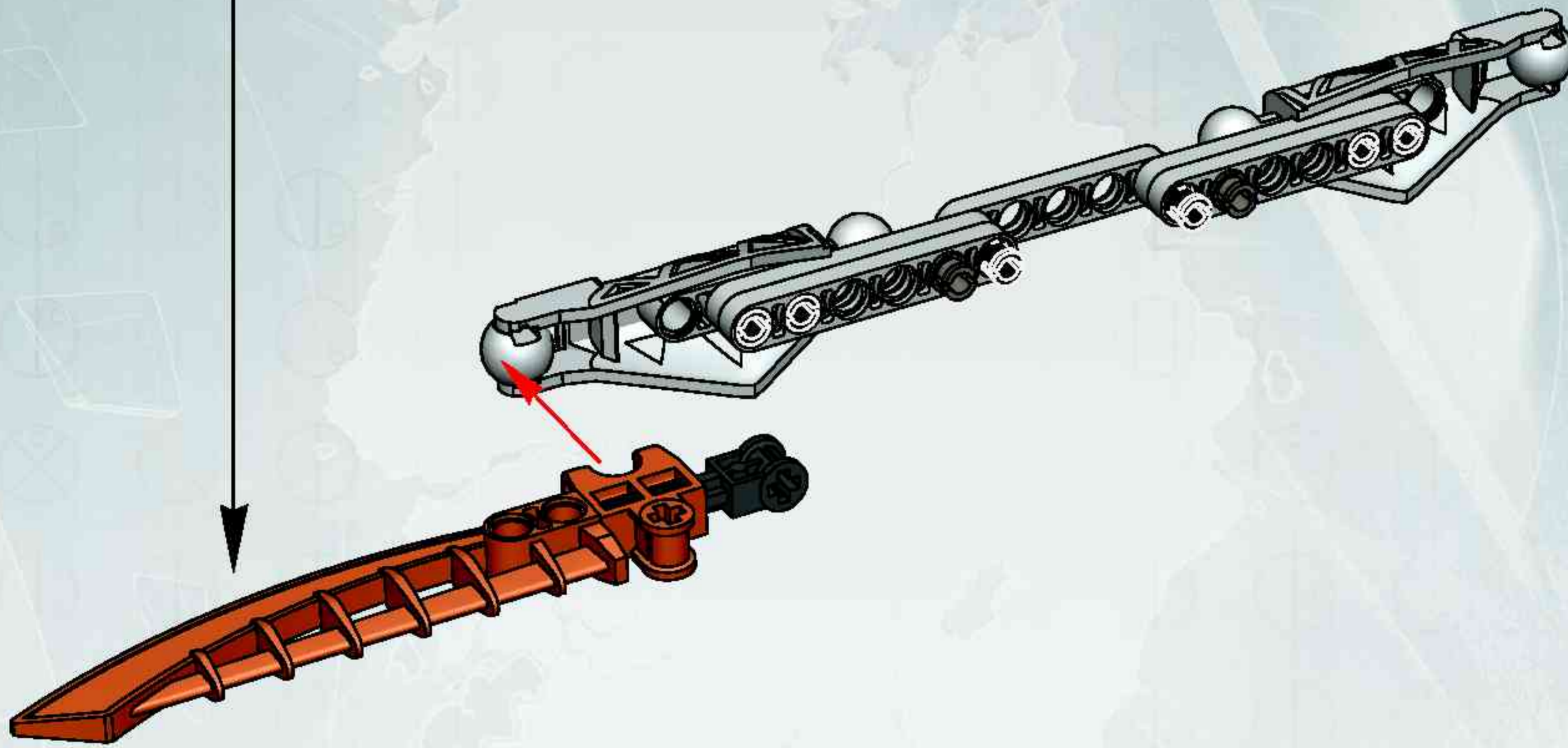
4

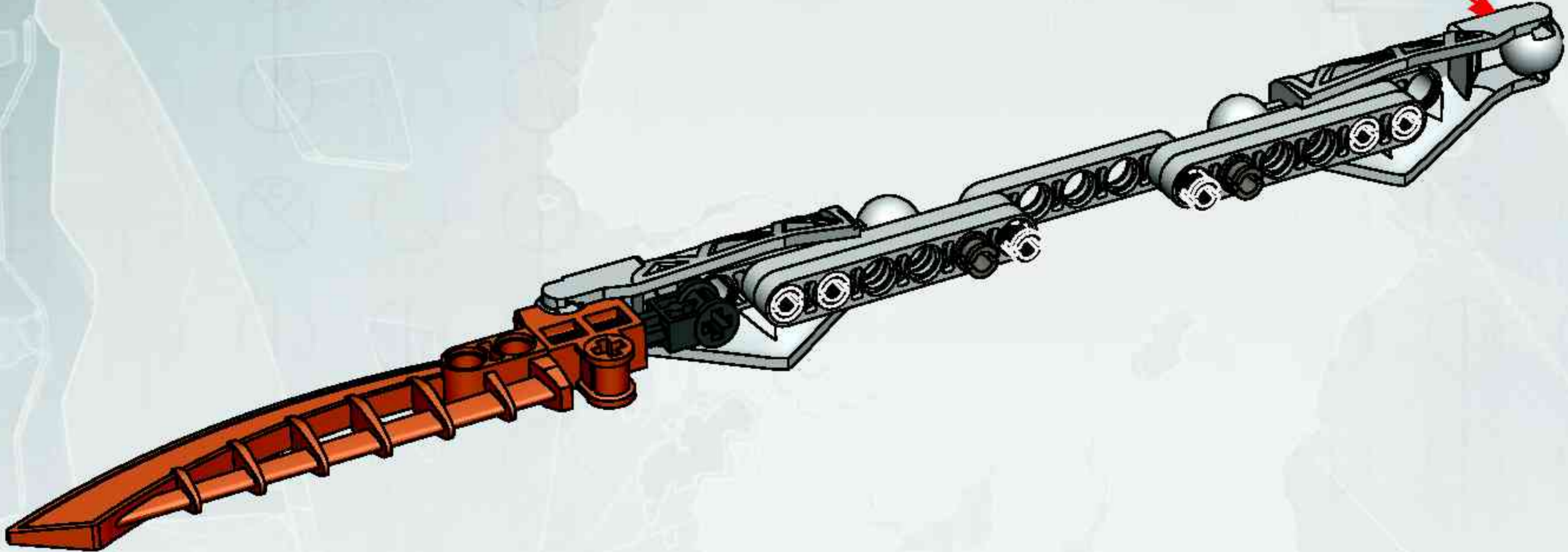
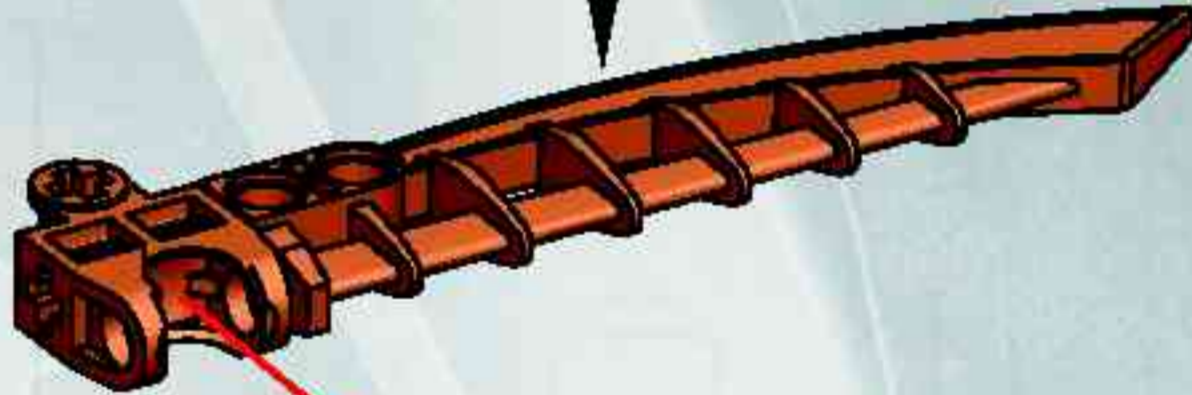
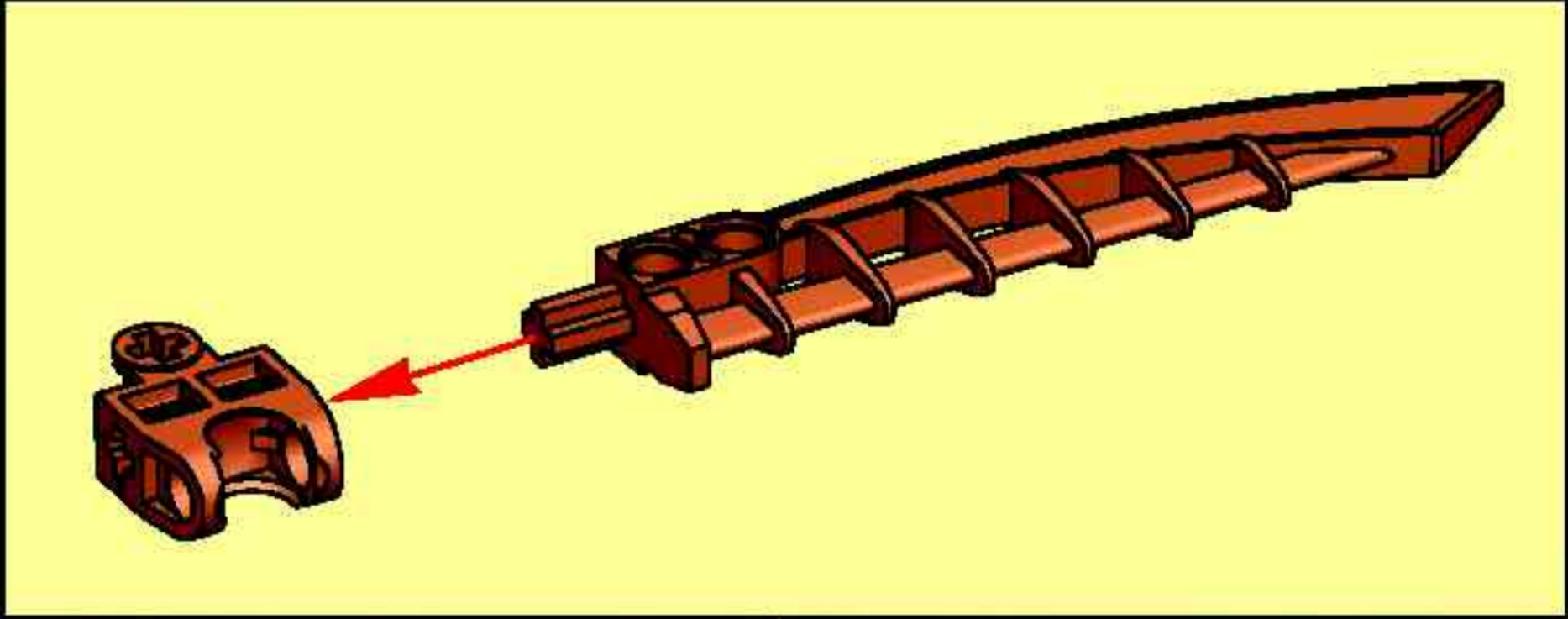




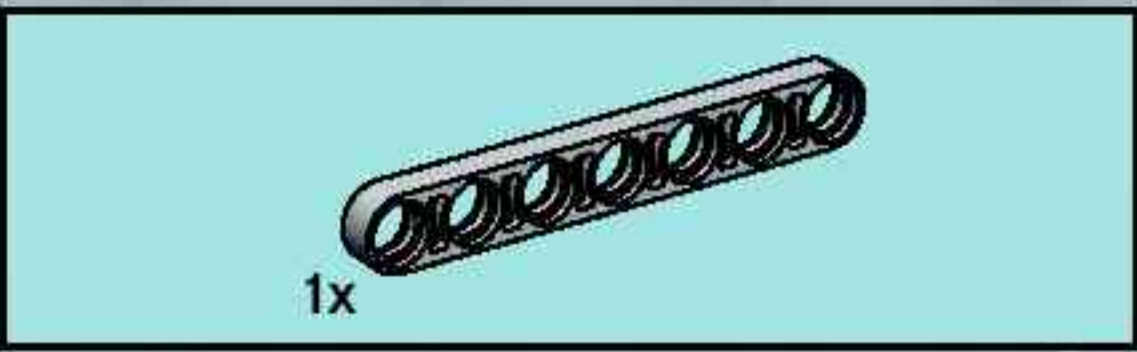


2



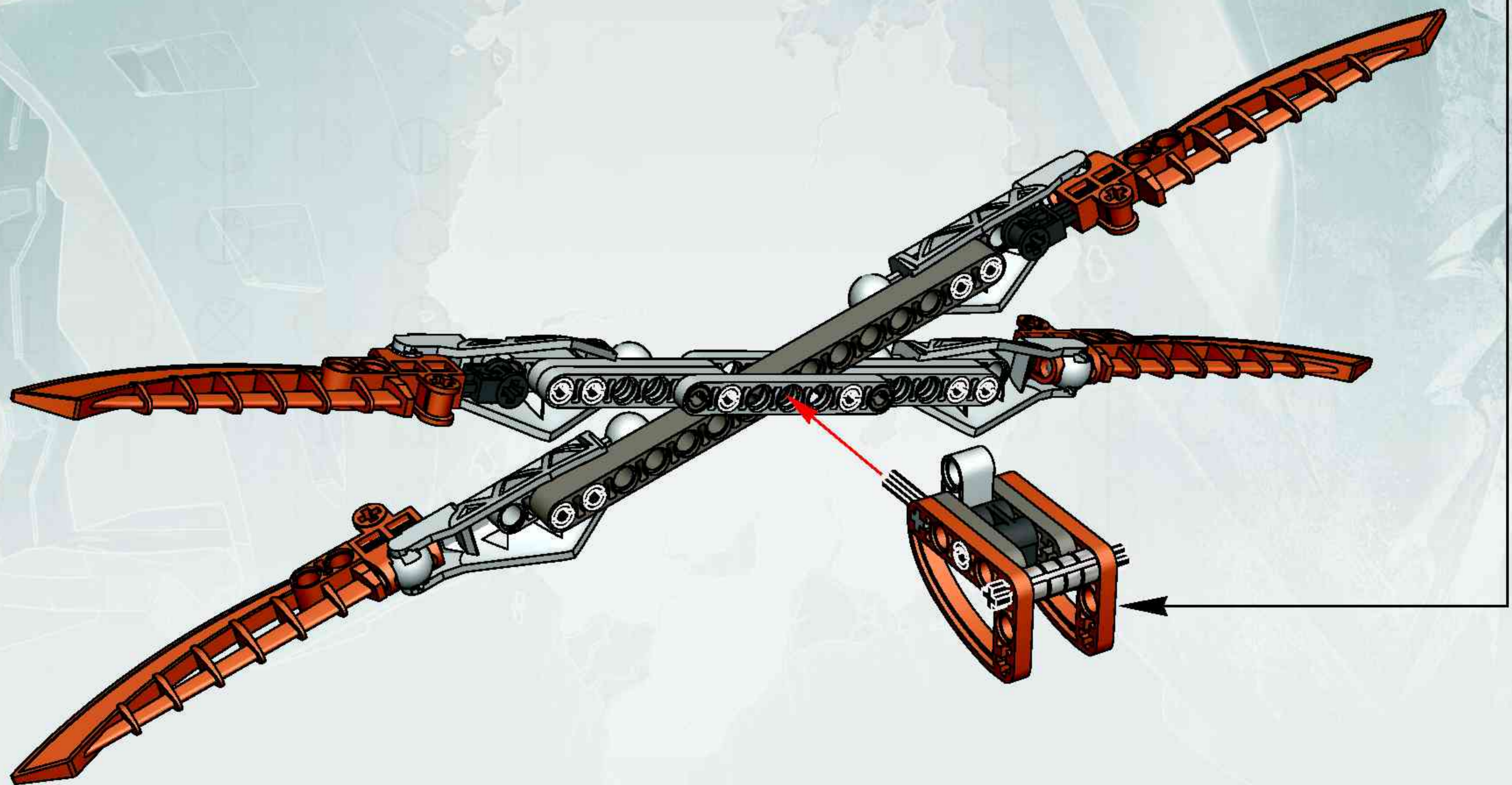
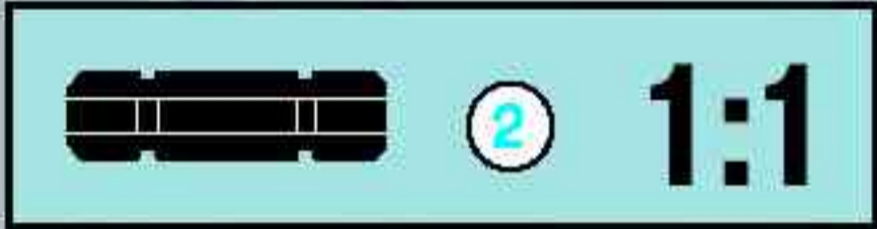
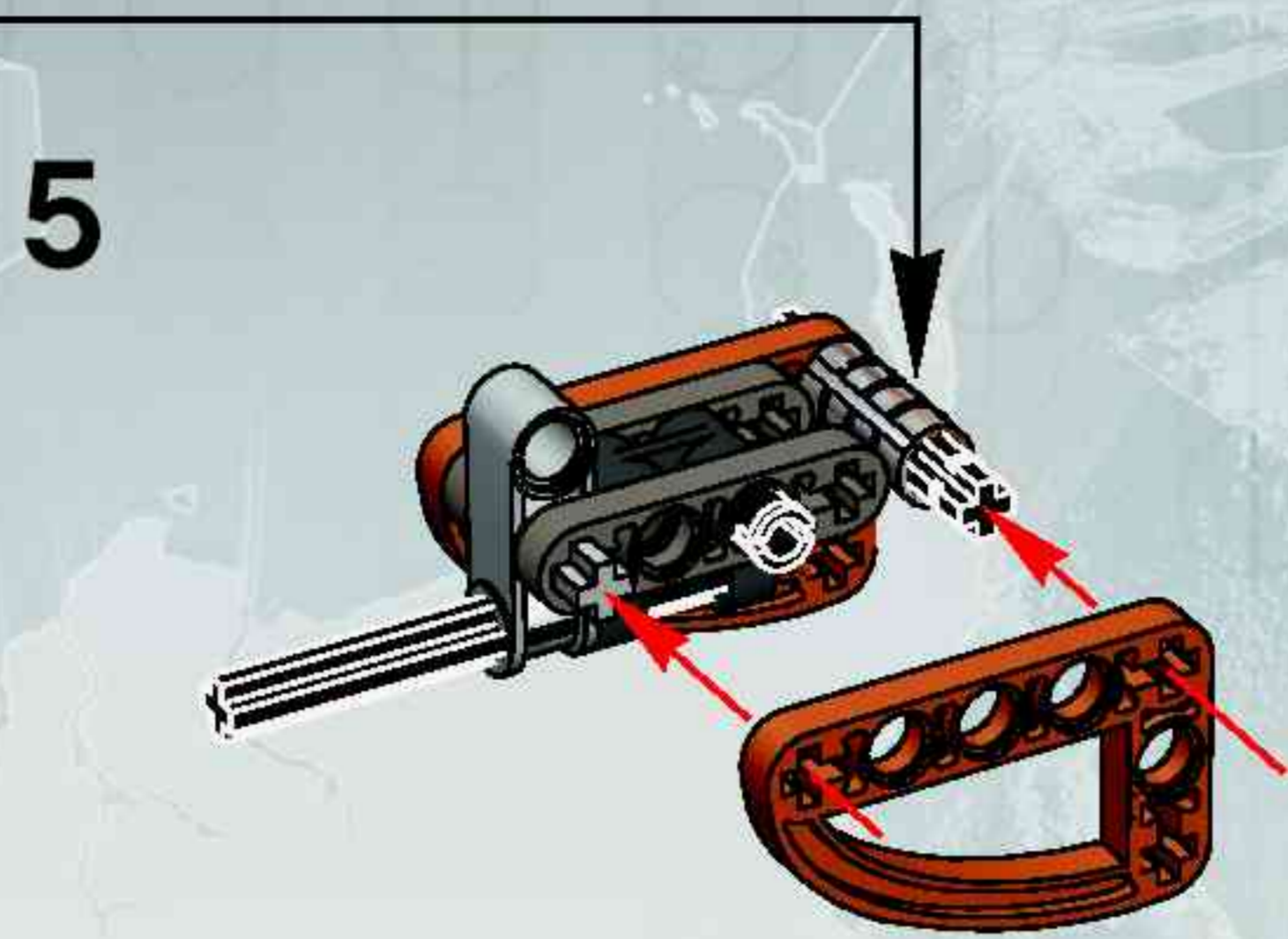
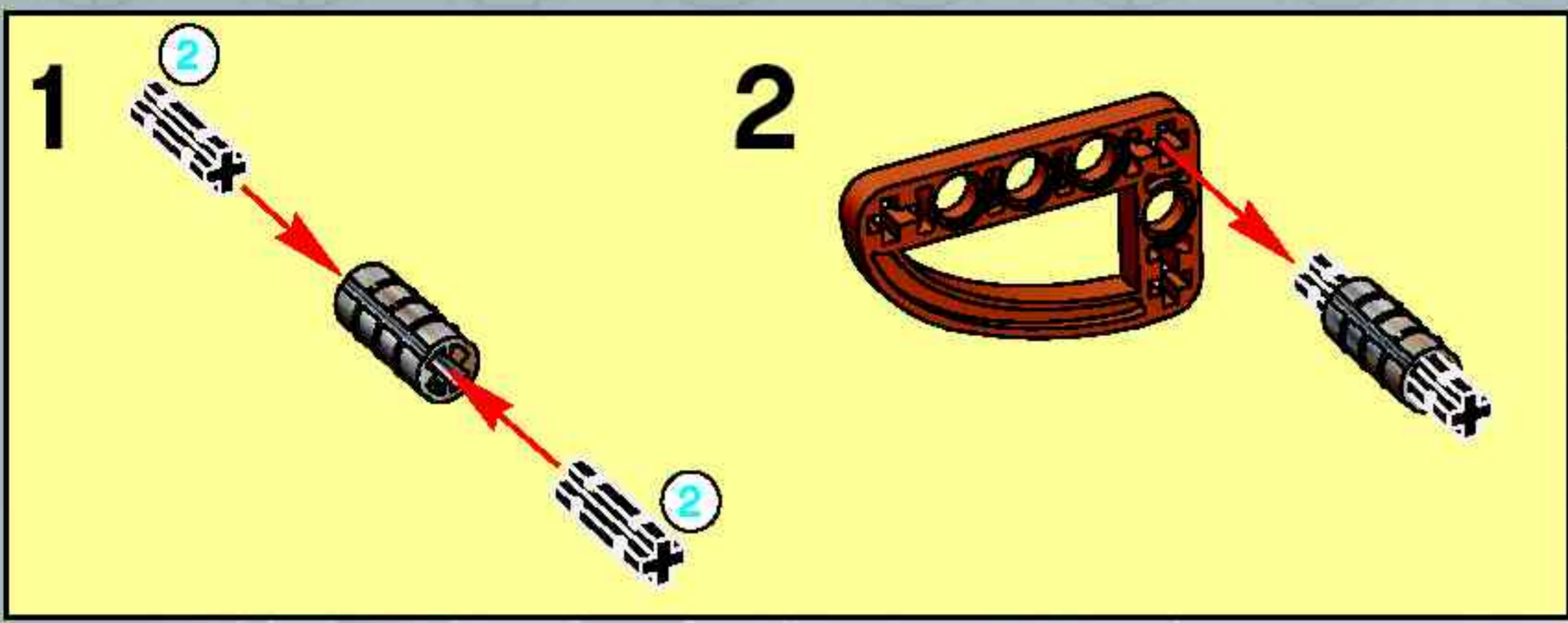


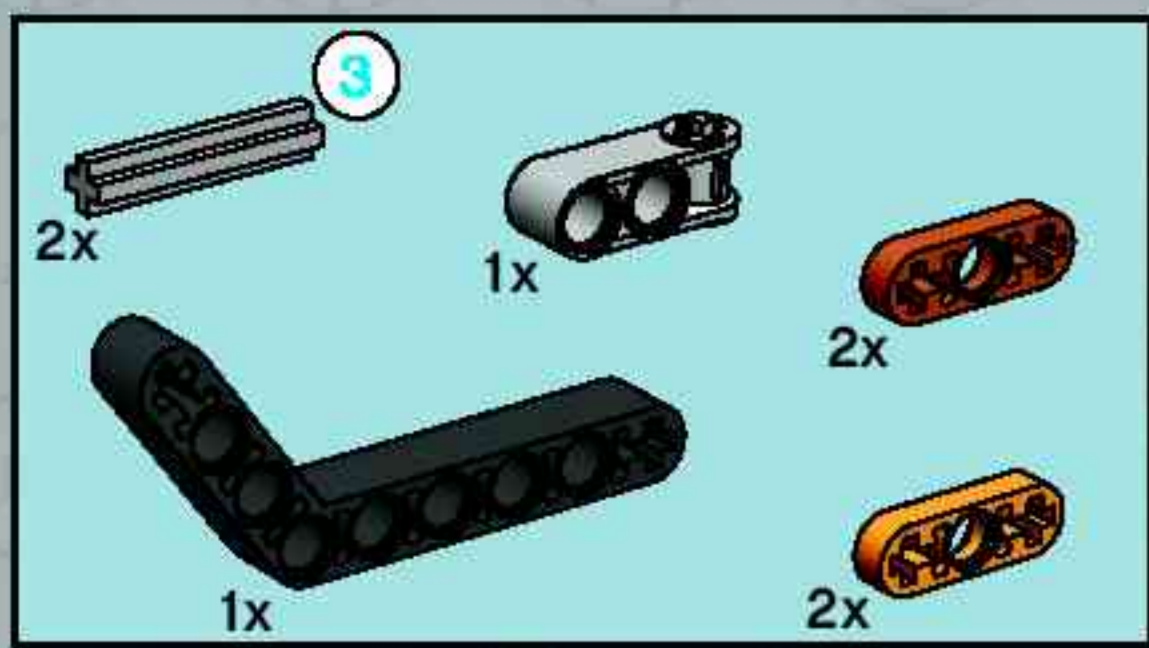
3



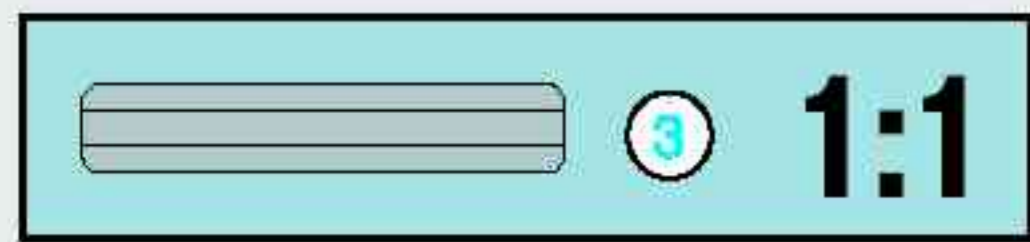
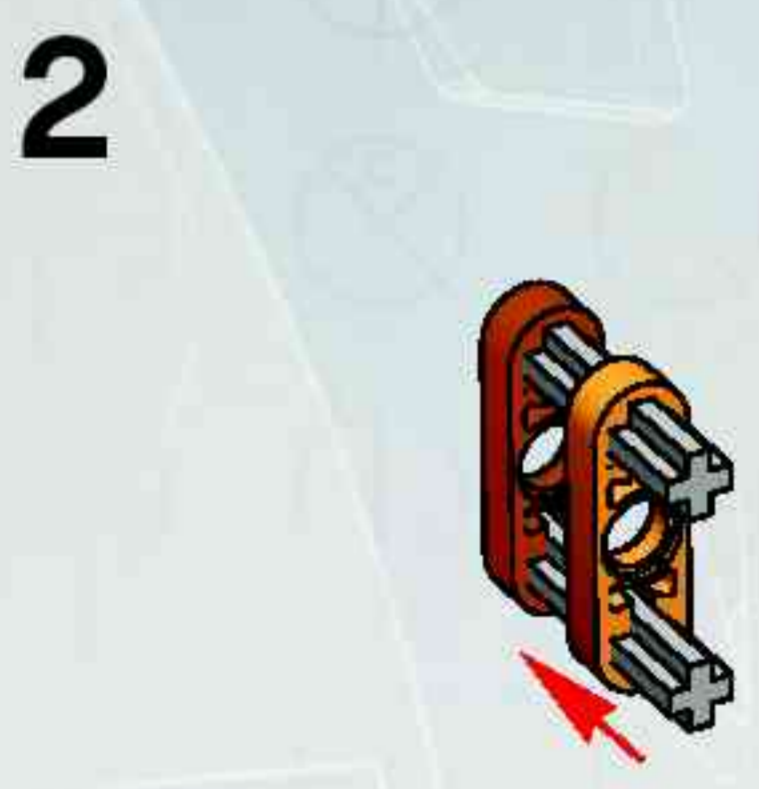
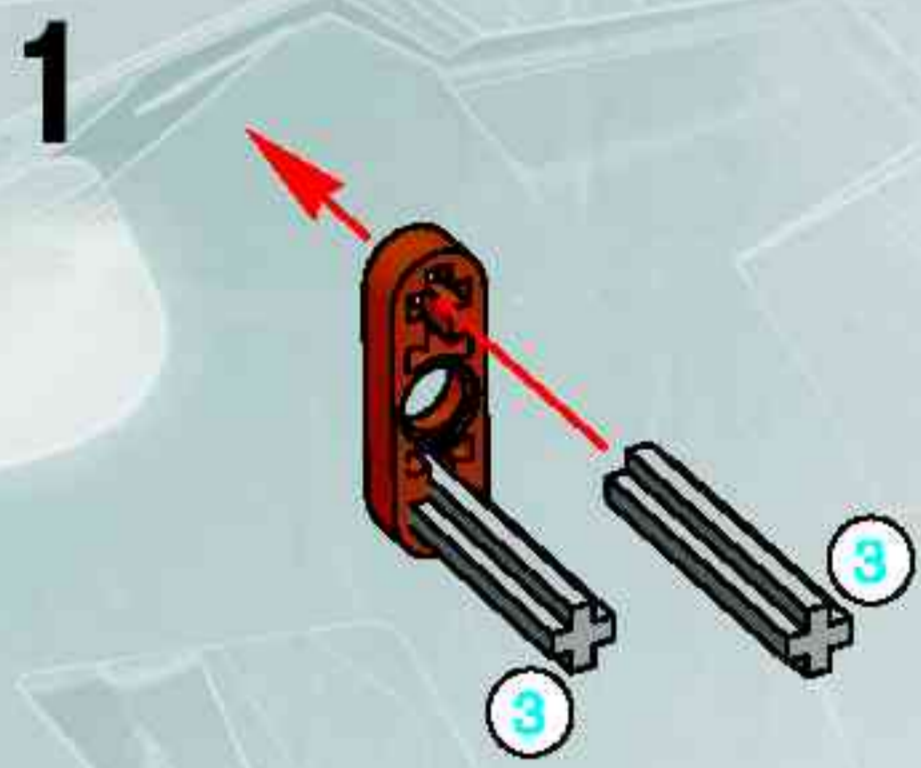
4



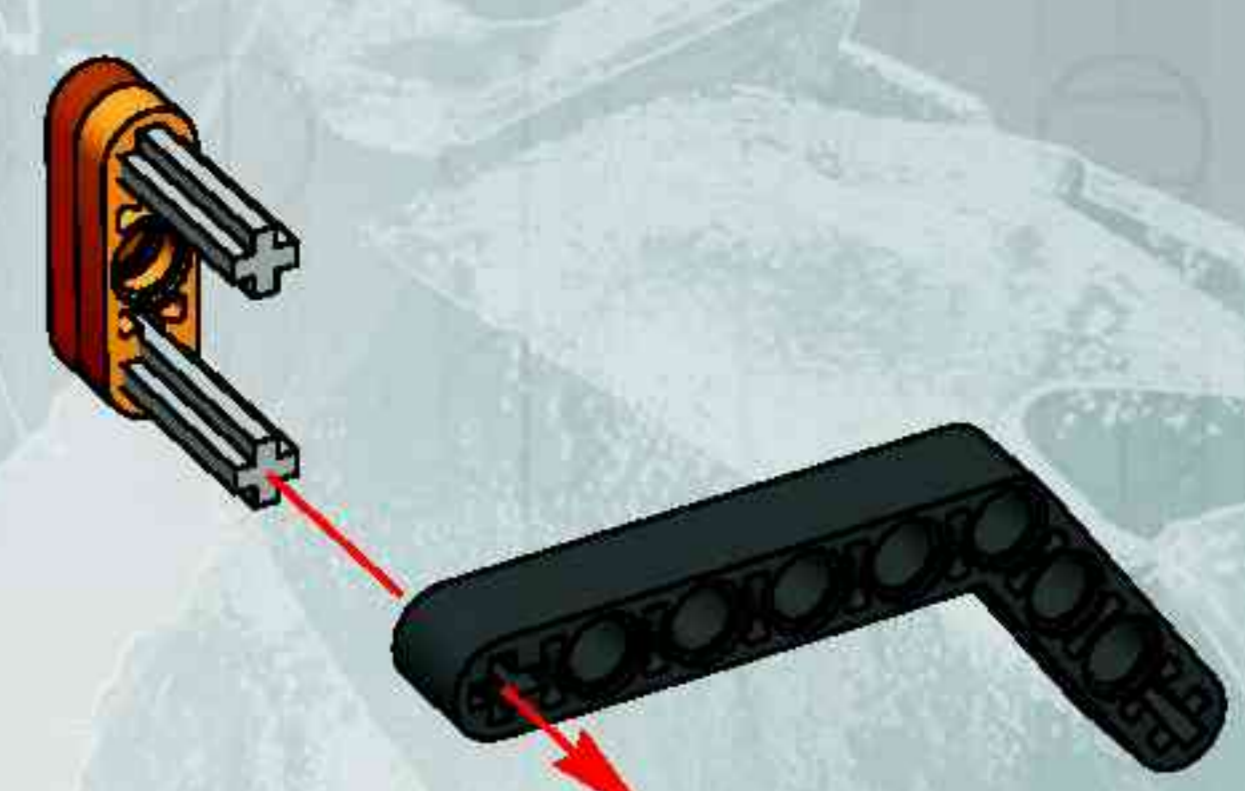




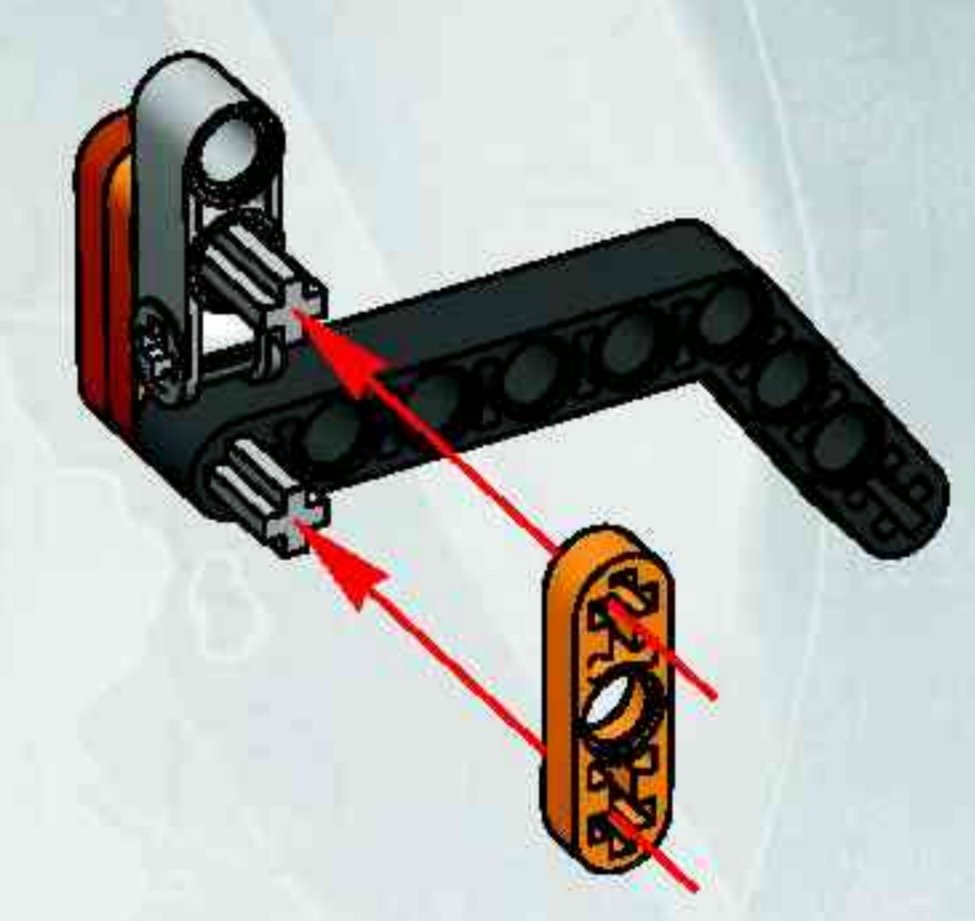
6



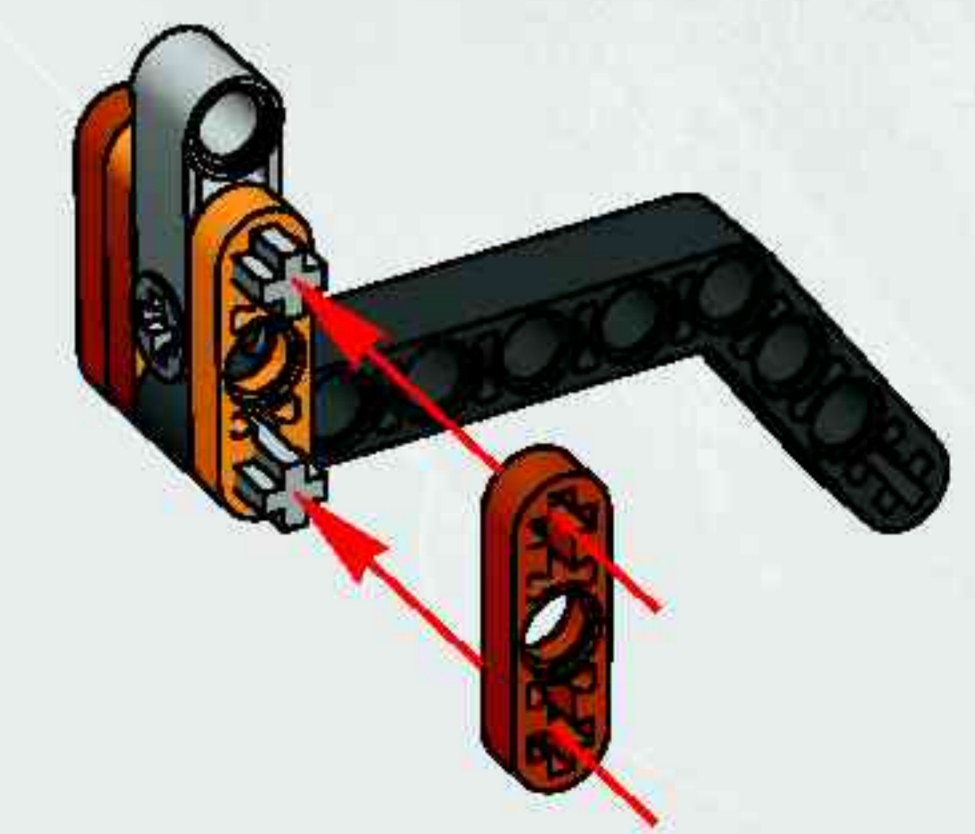
3



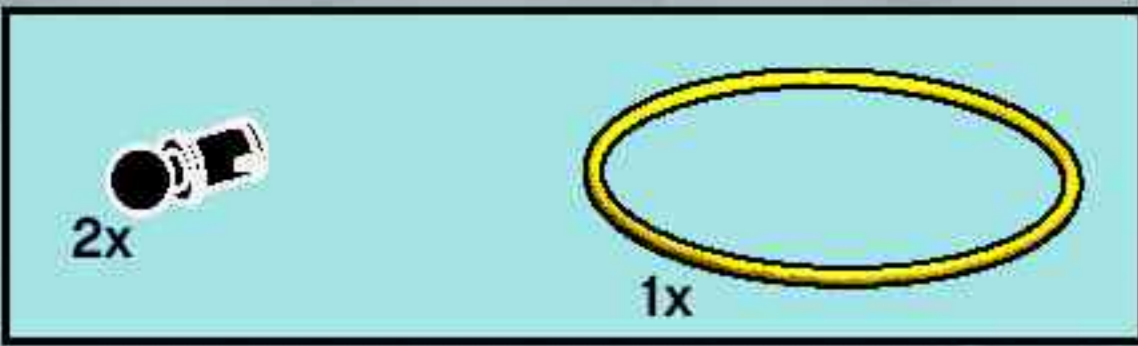
4



5

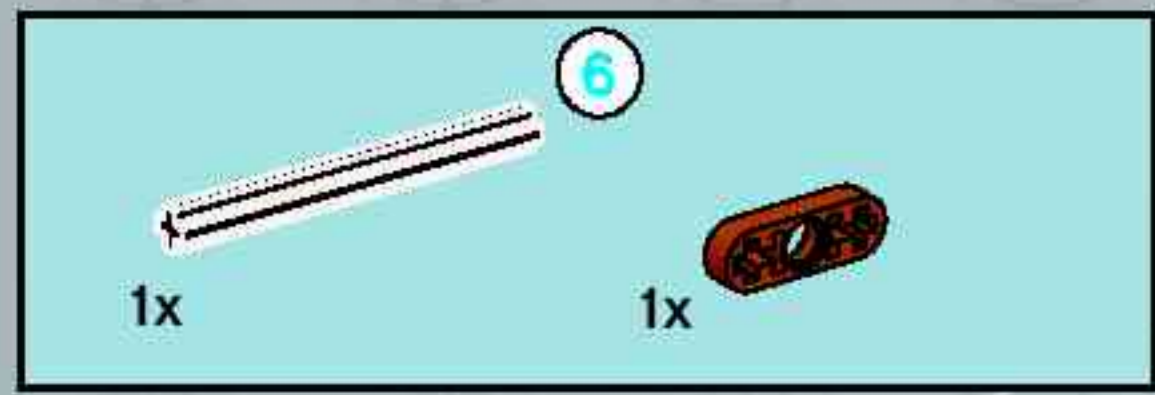




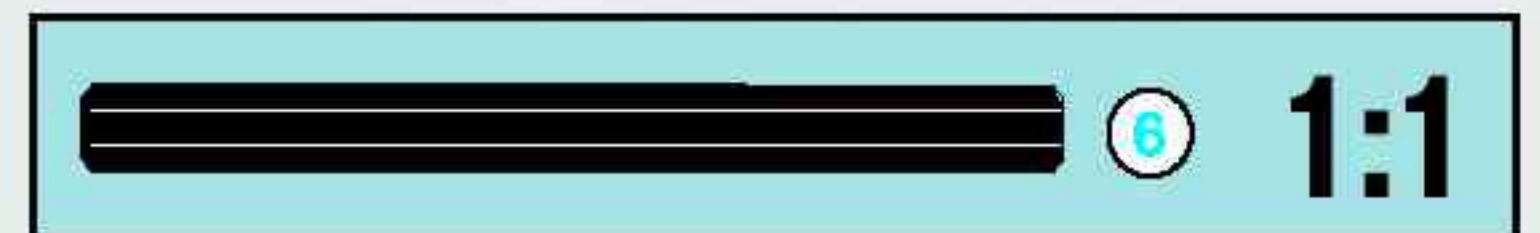
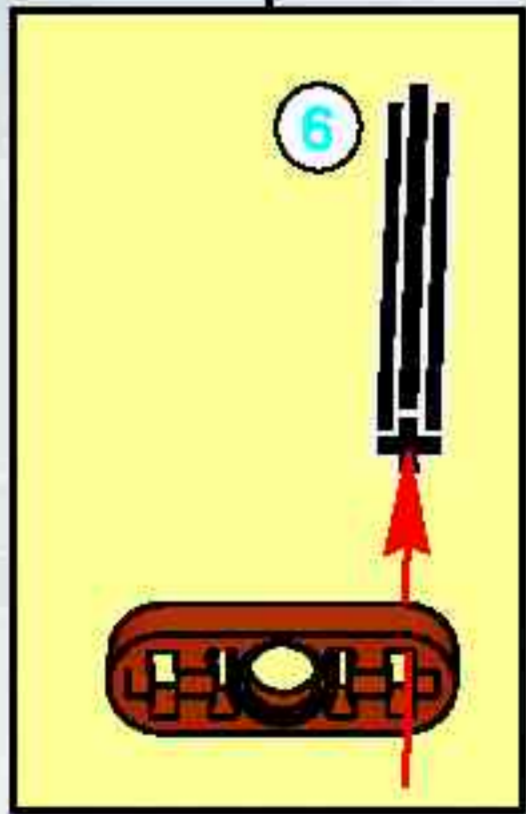
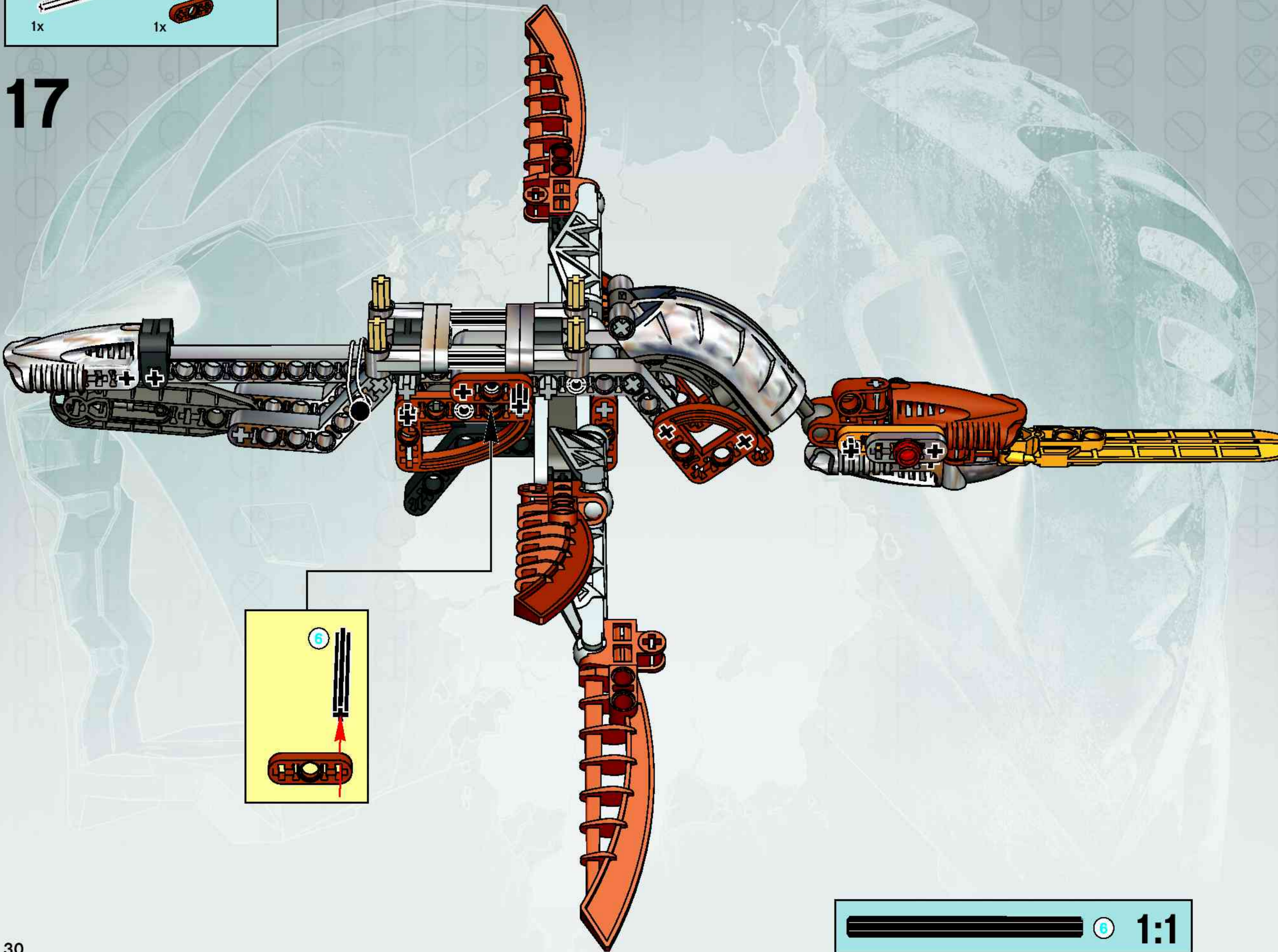


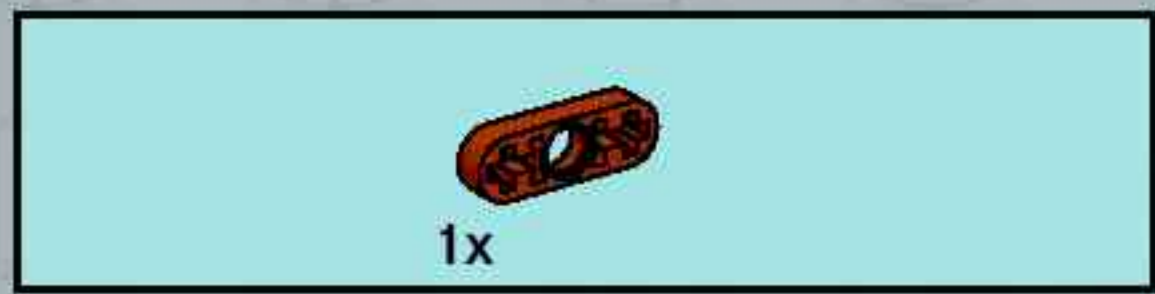
7



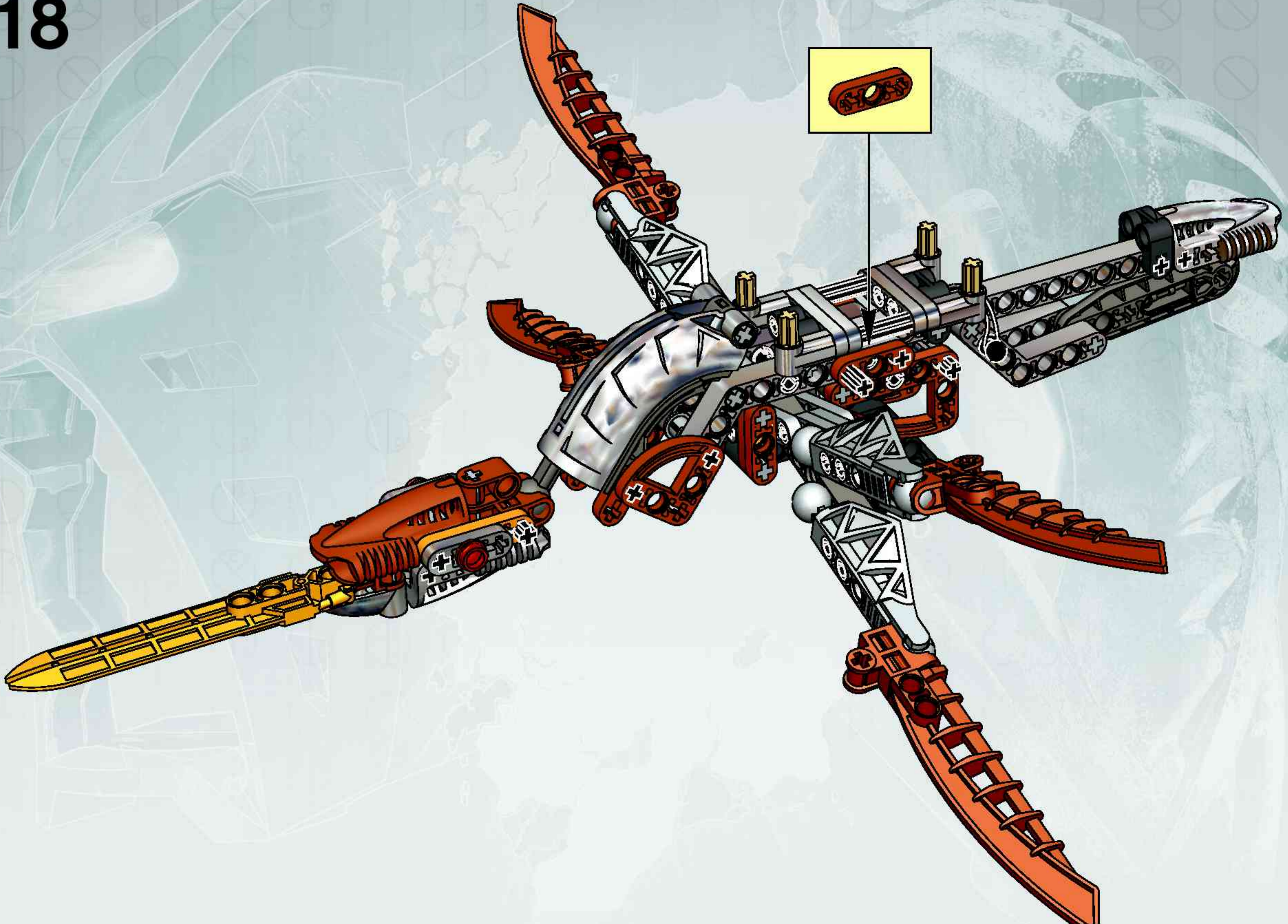


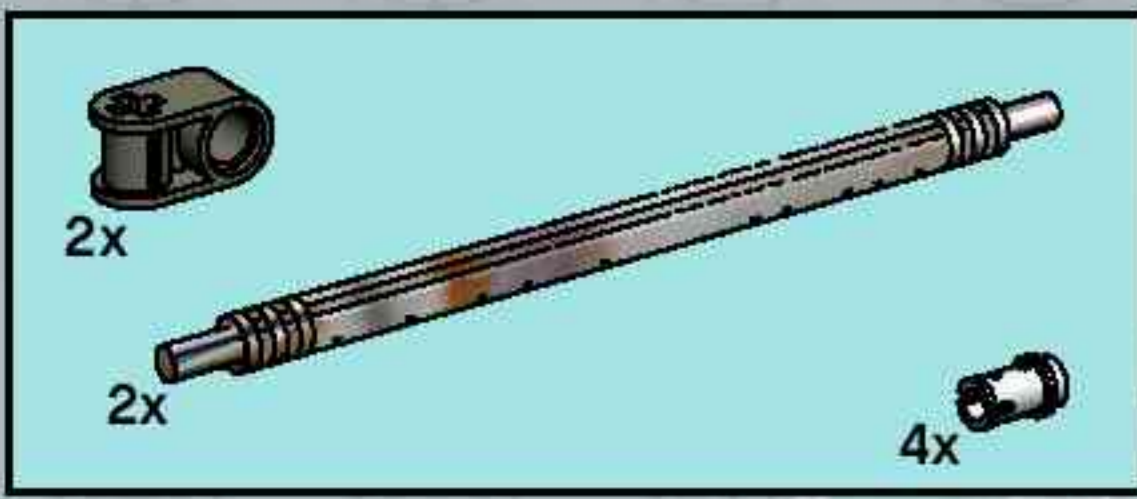
17



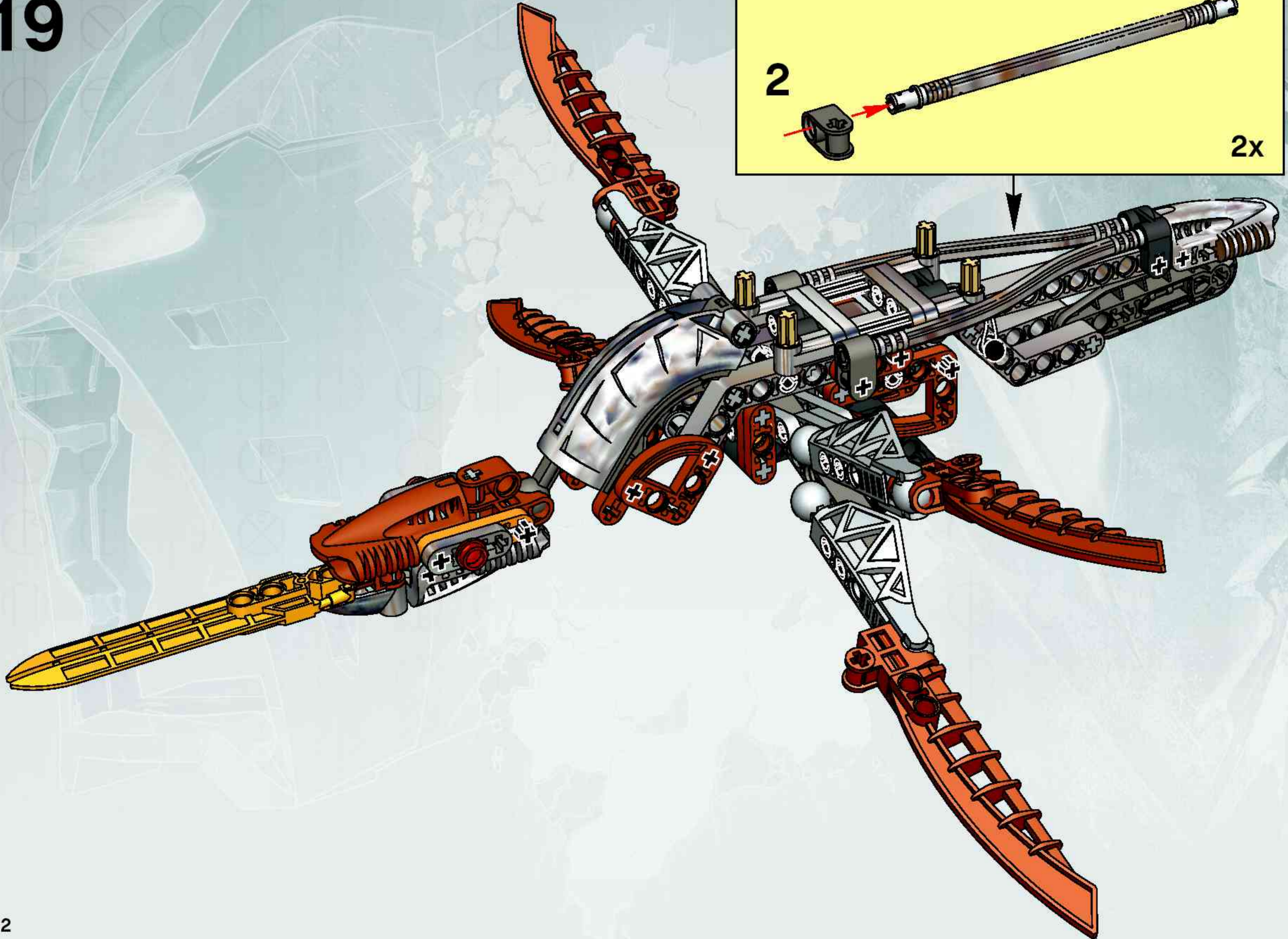
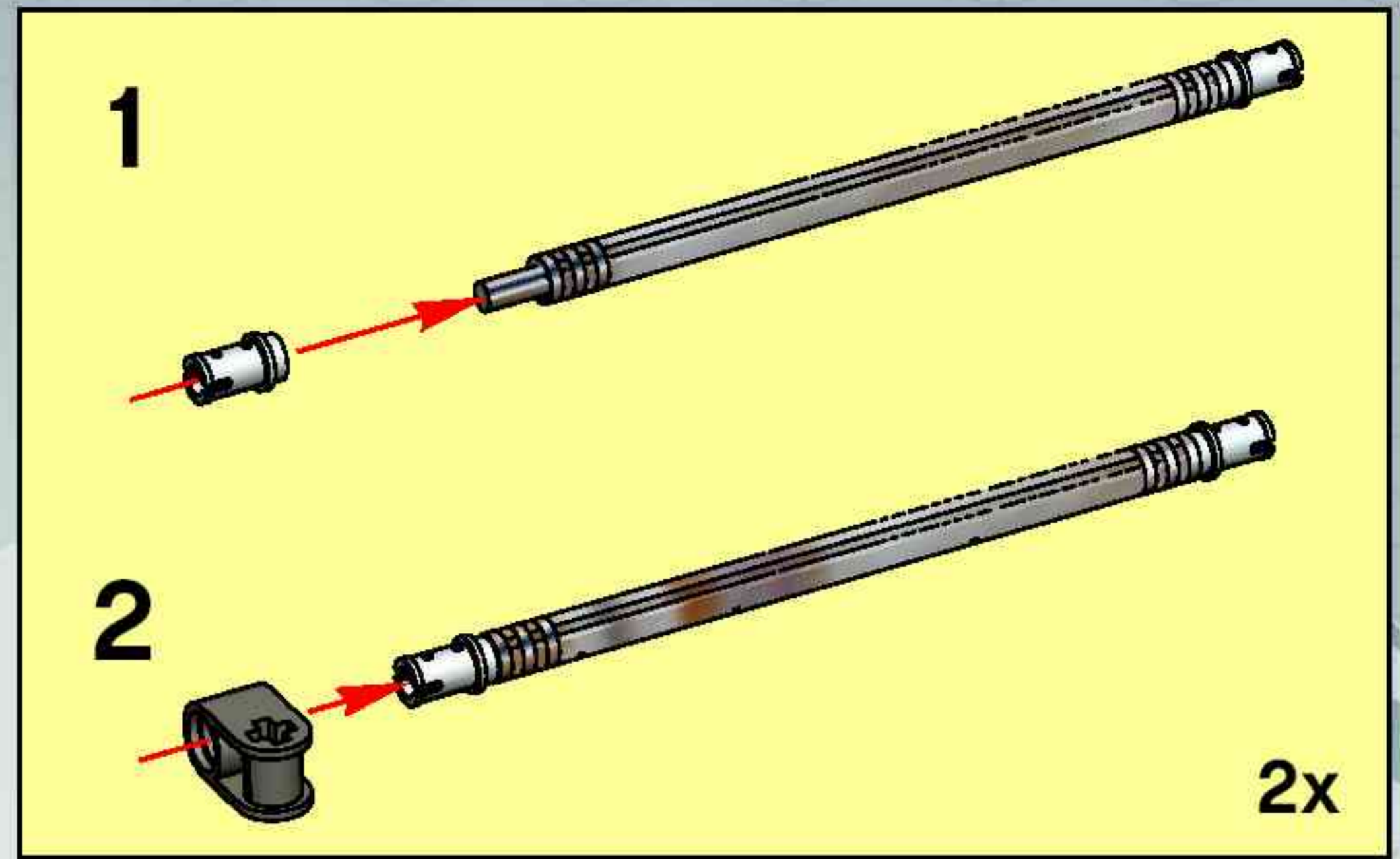


18

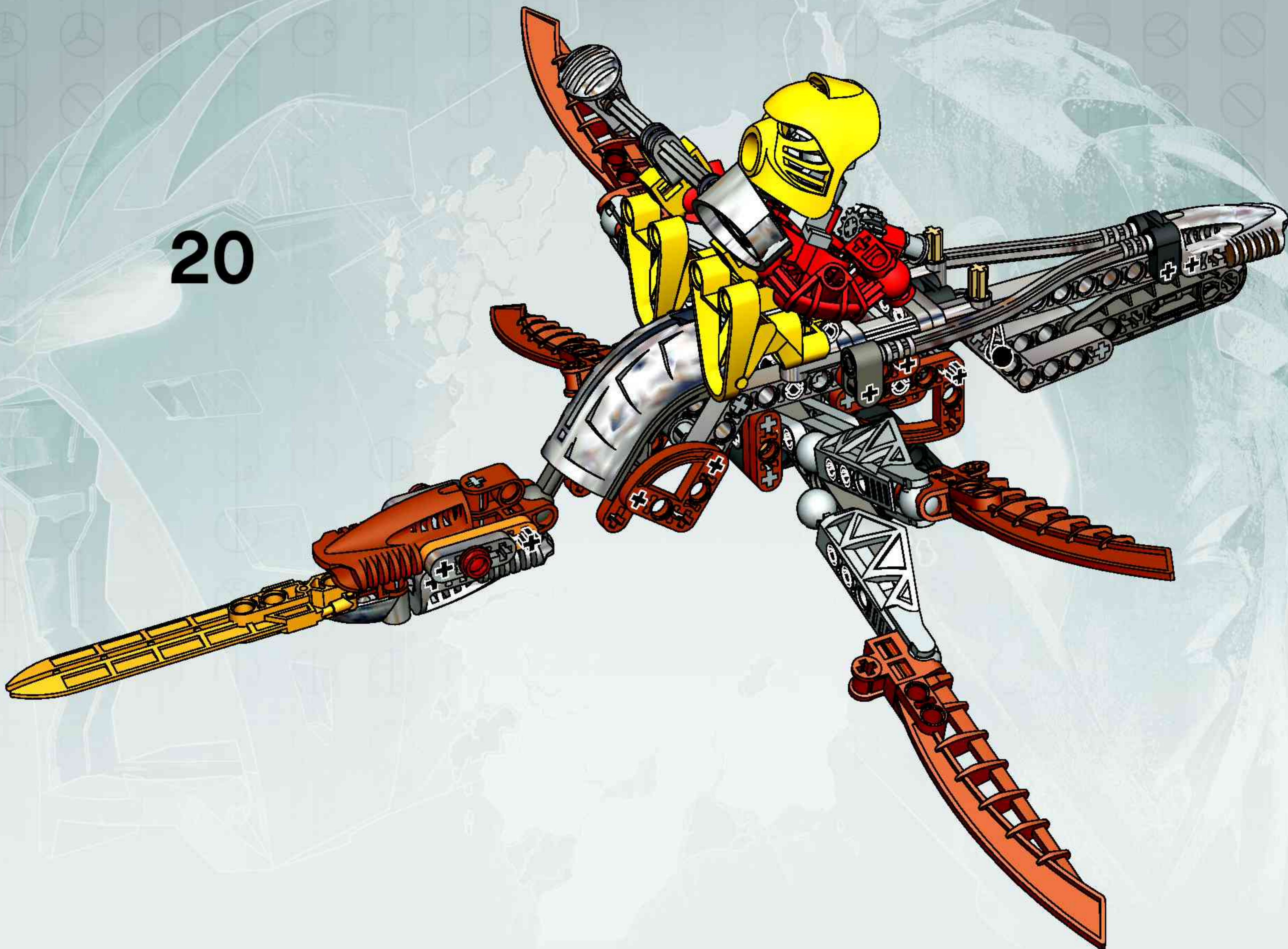




19



20



8595
Takua &
Pewku



8593
Makuta

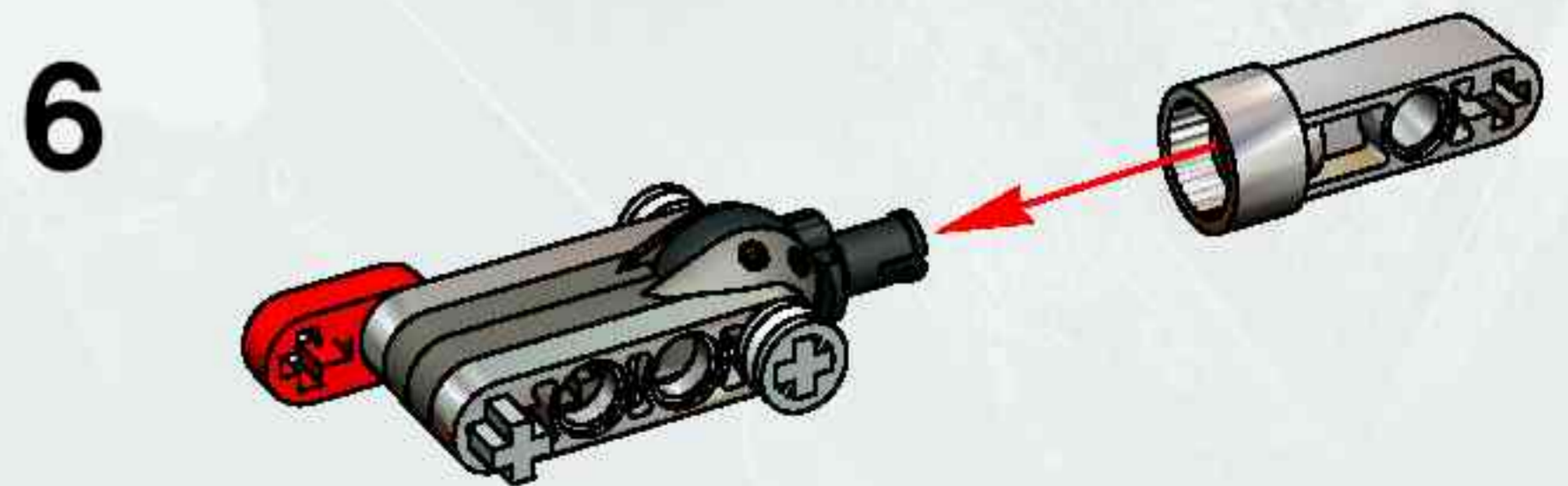
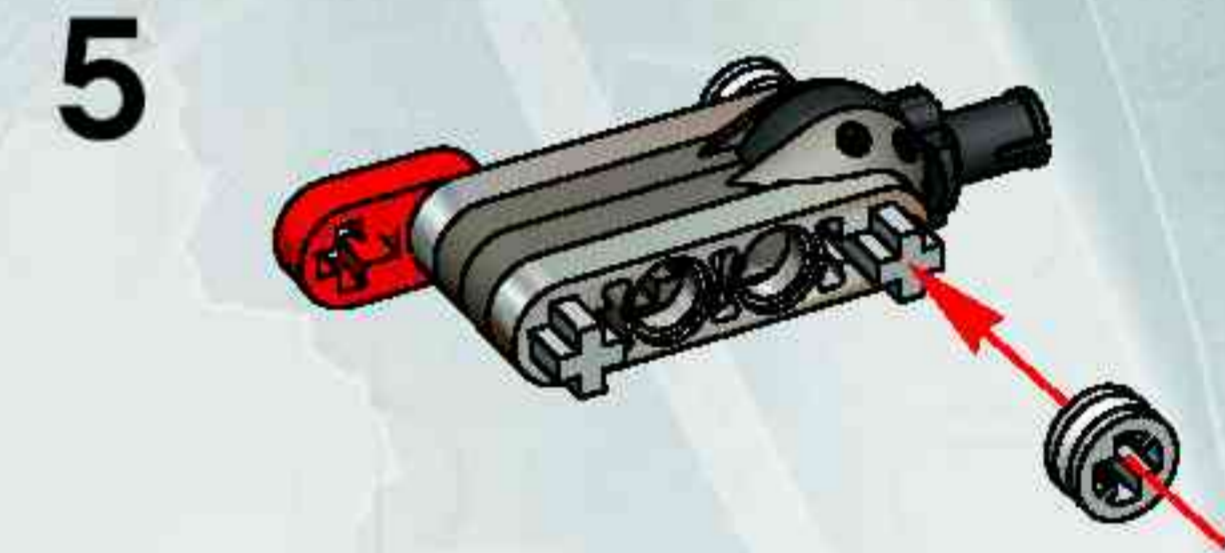
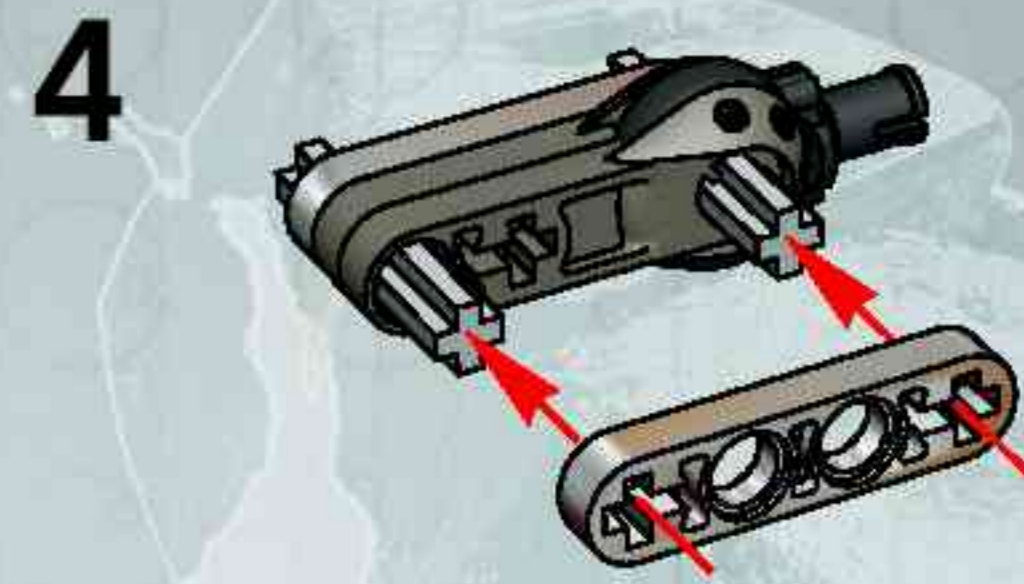
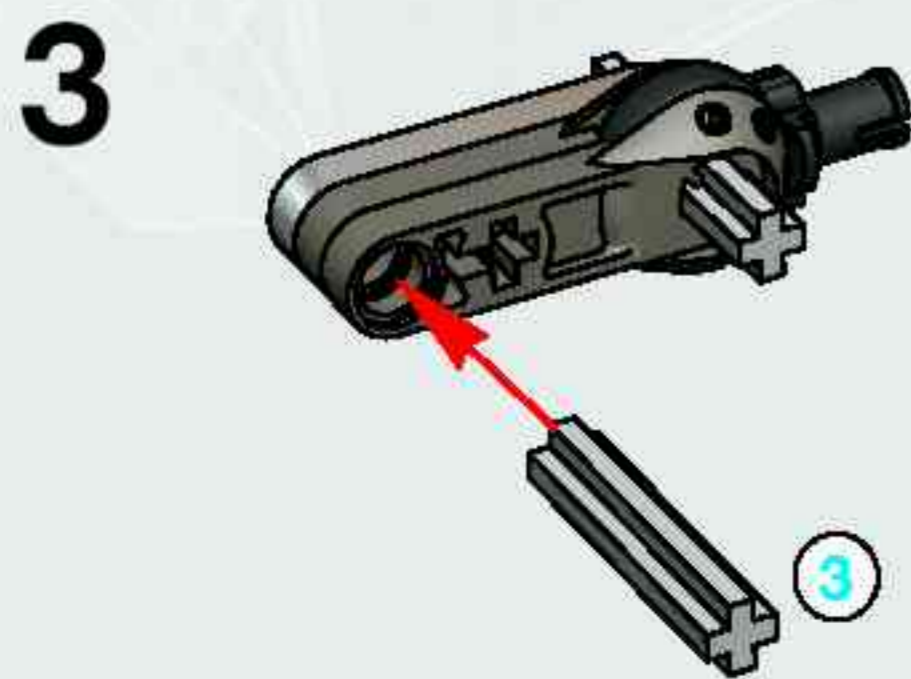
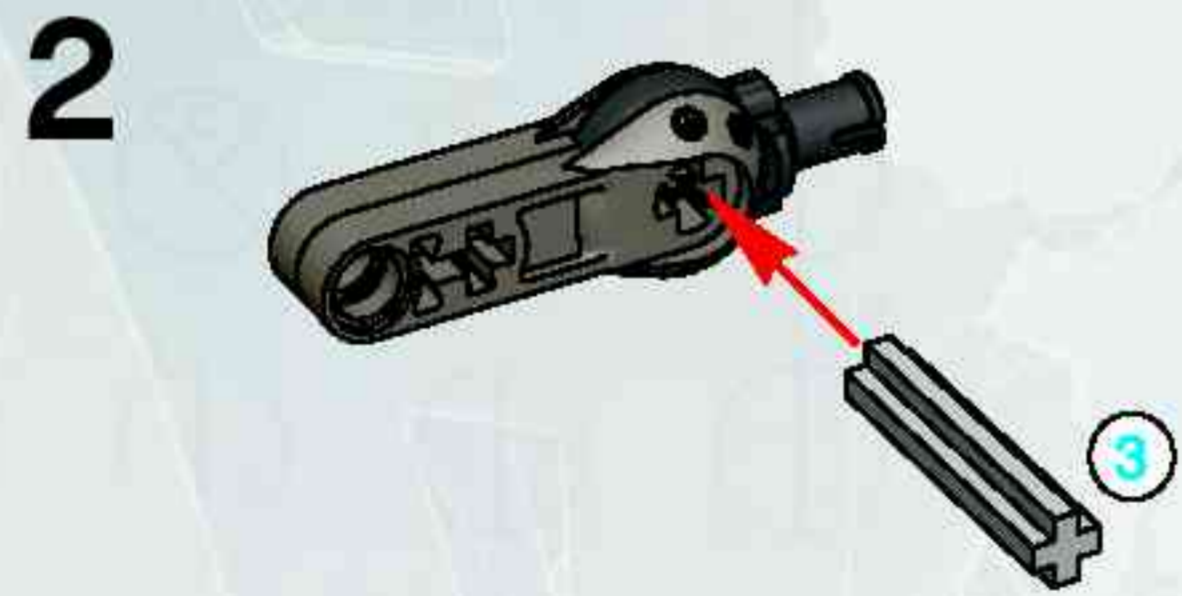
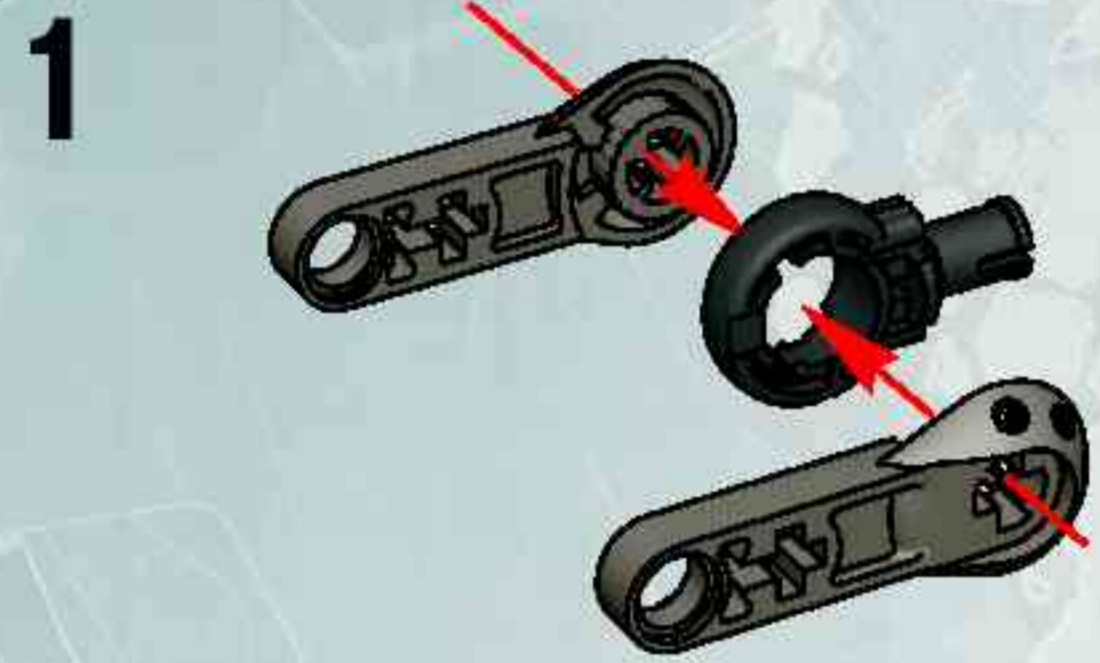
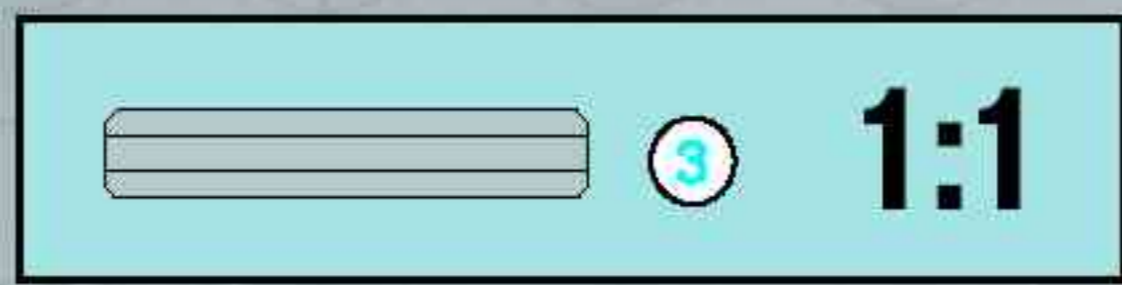
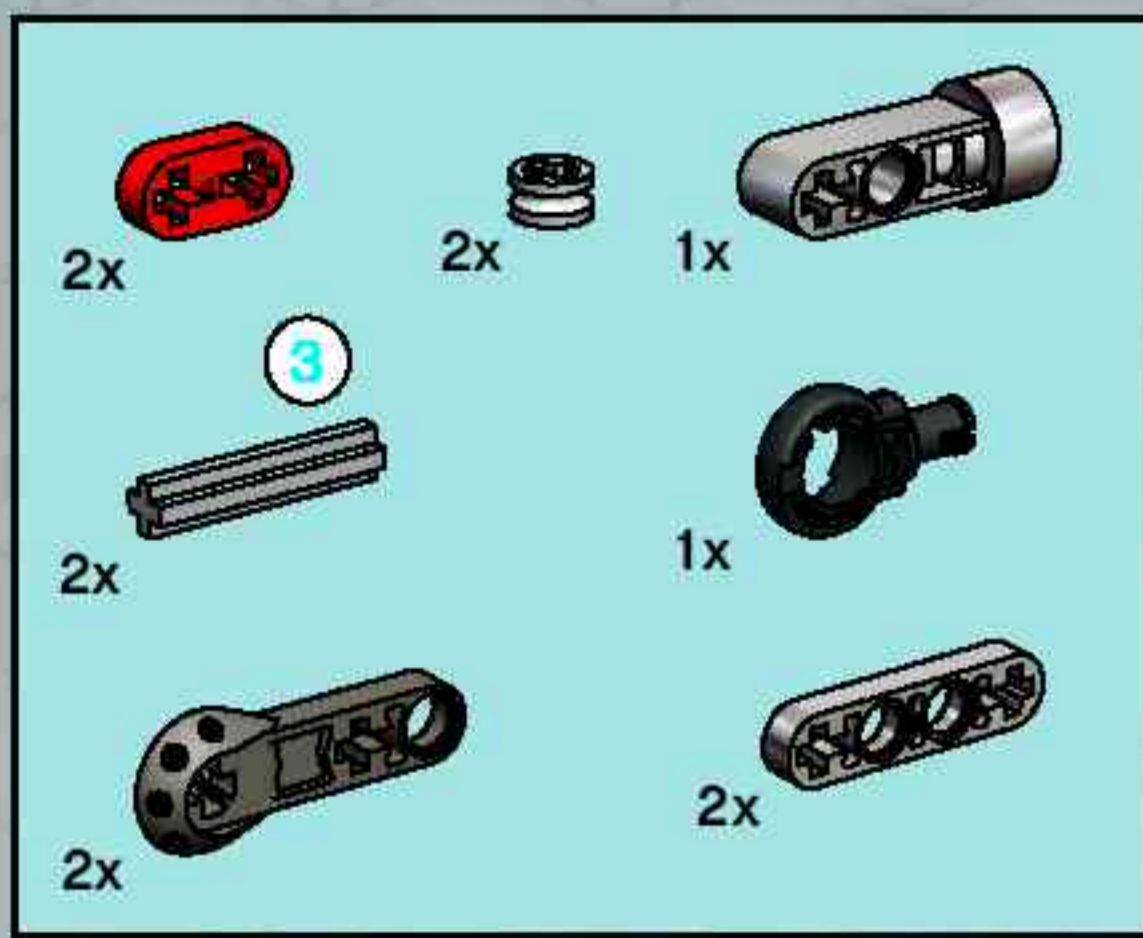


8594
Jaller &
Gukko



8593 + 8594 + 8595

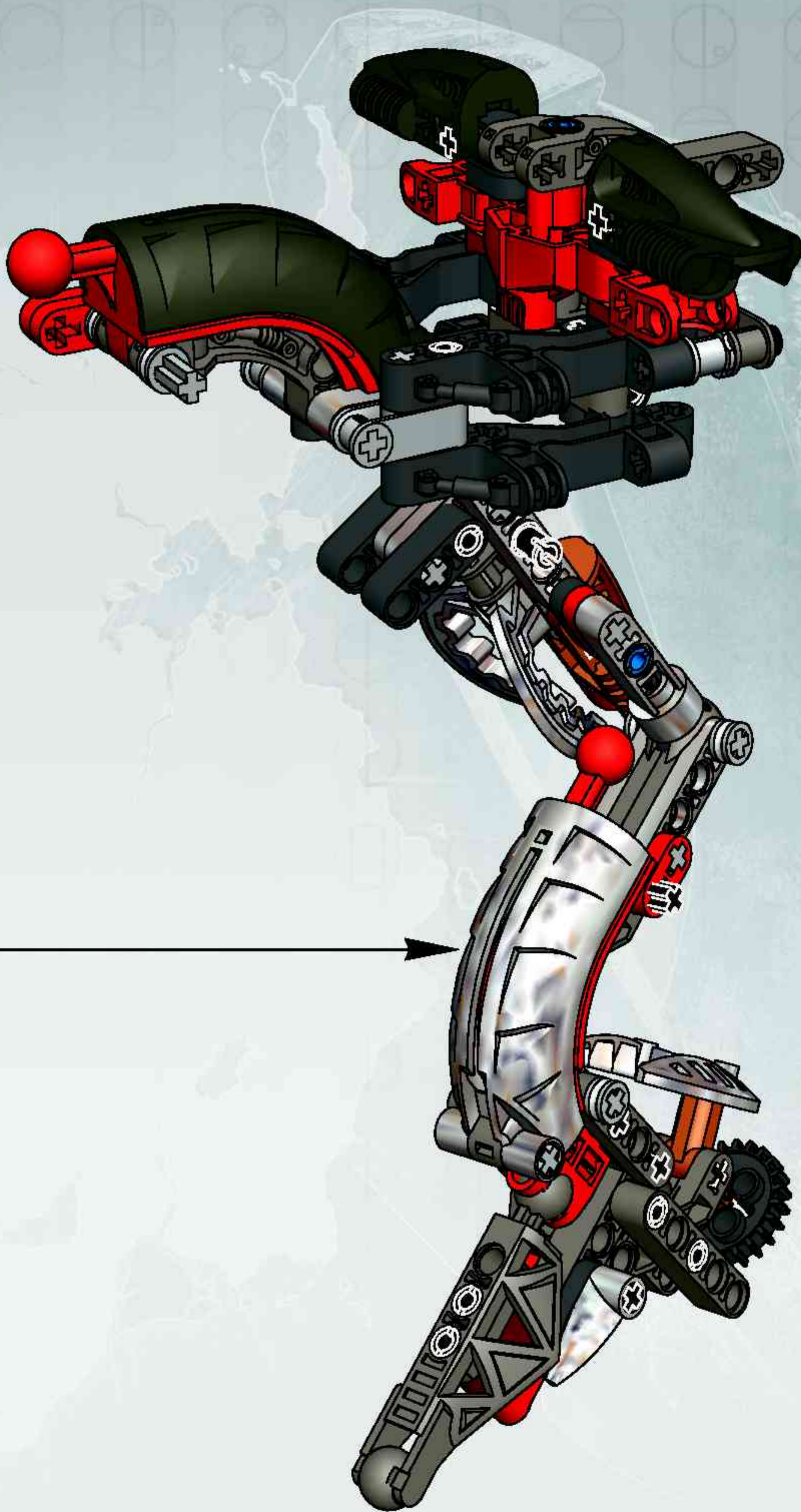


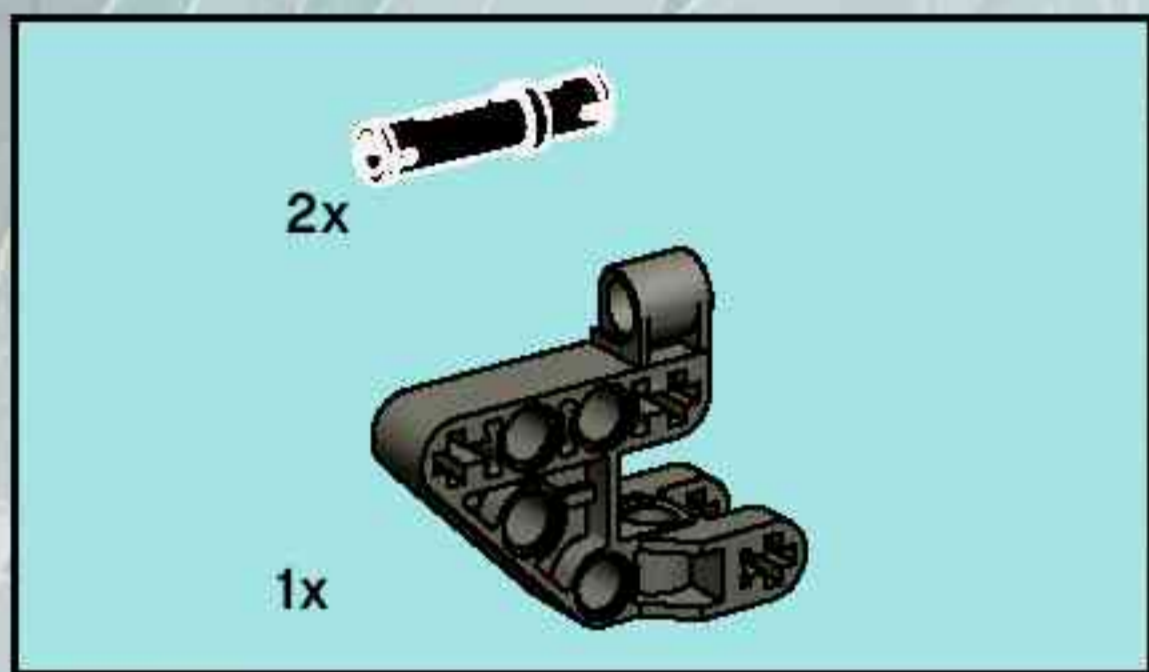
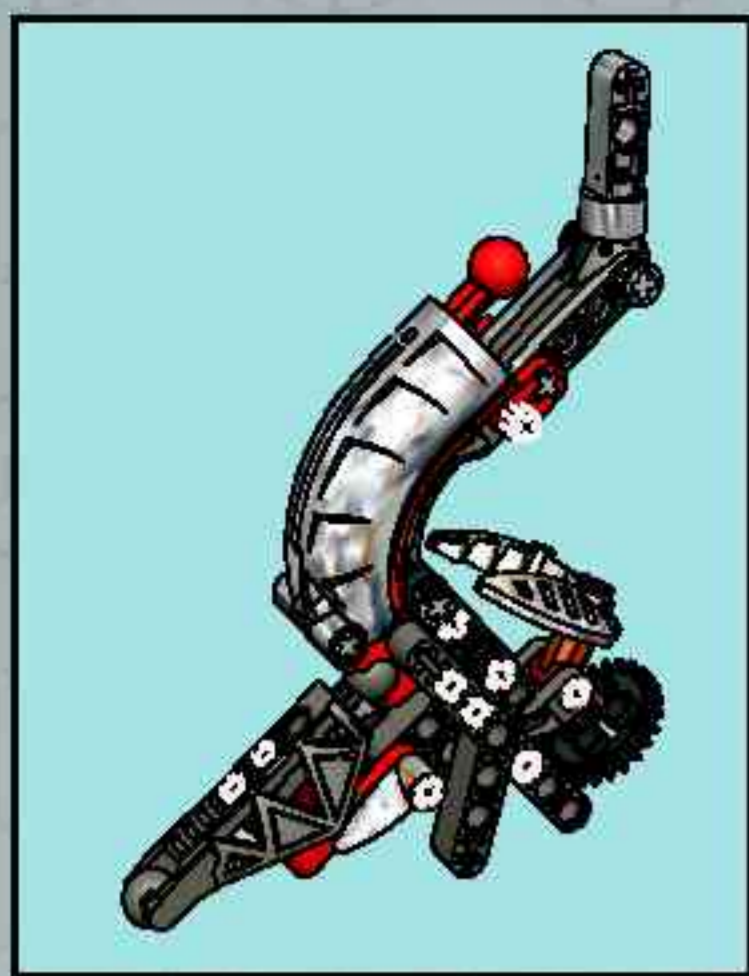


17

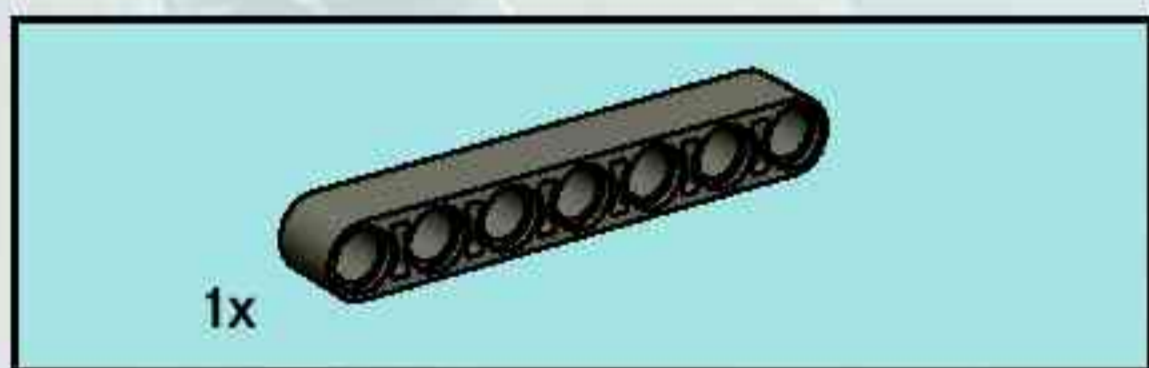
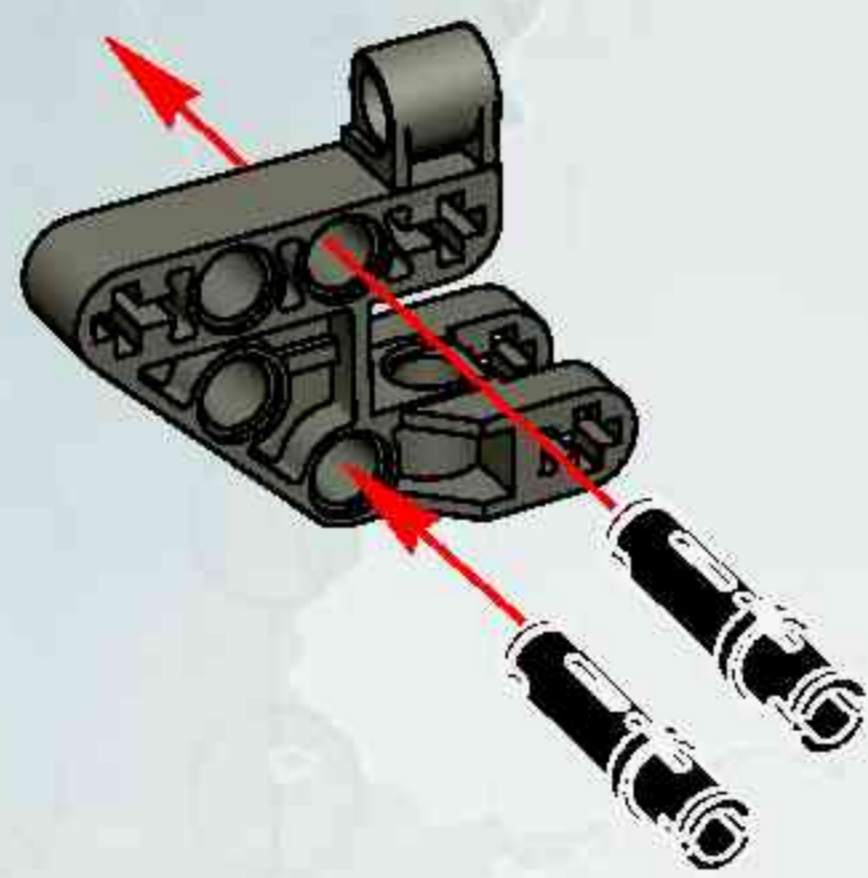


15

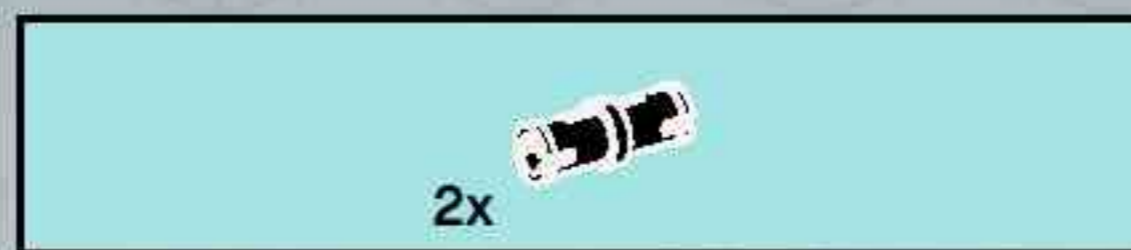
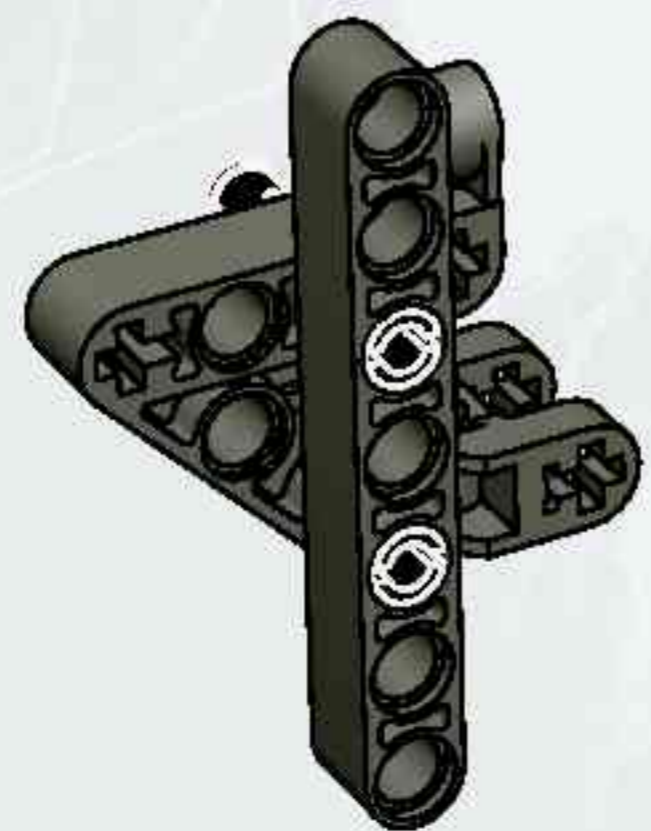




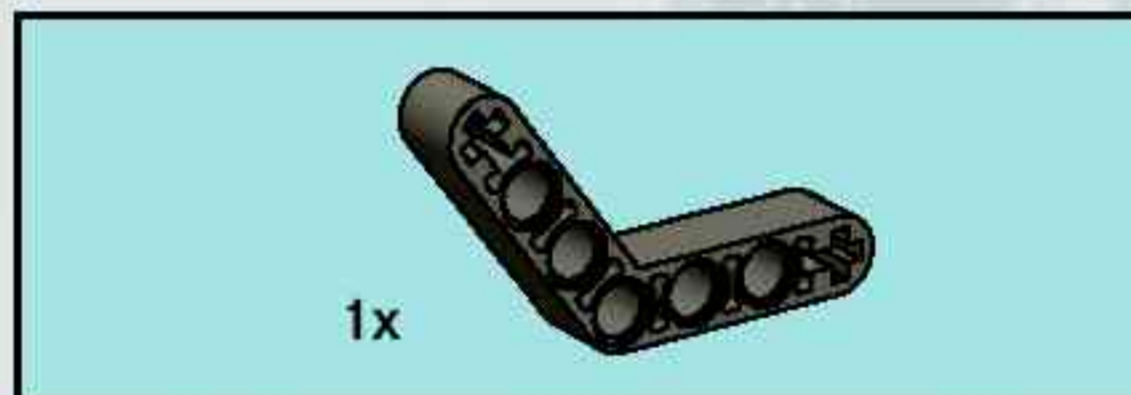
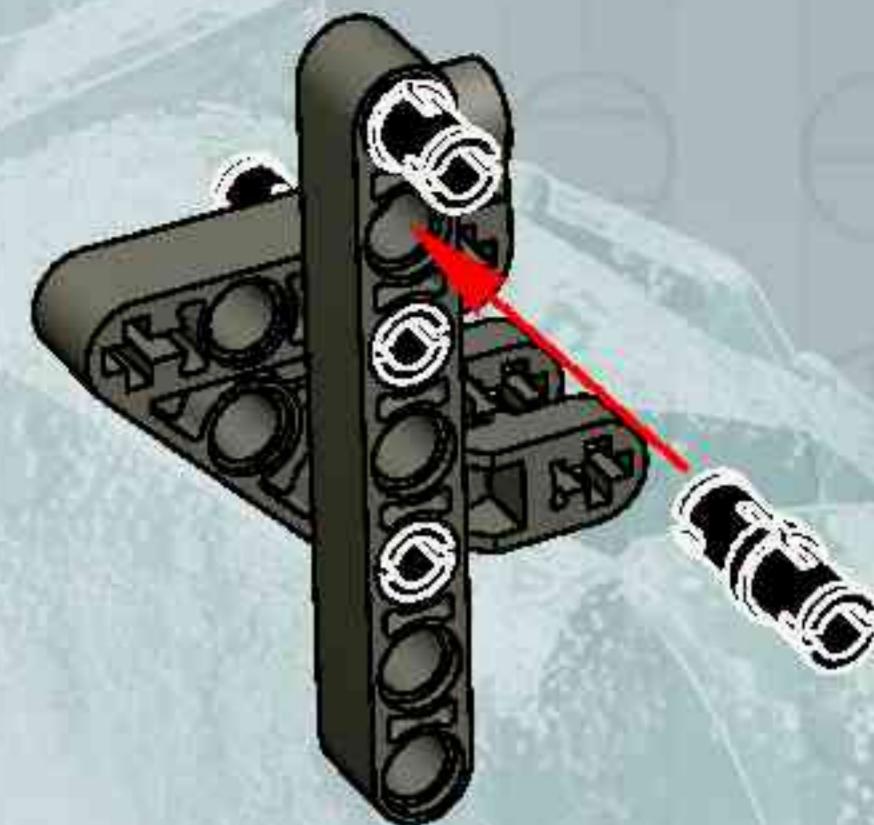
1



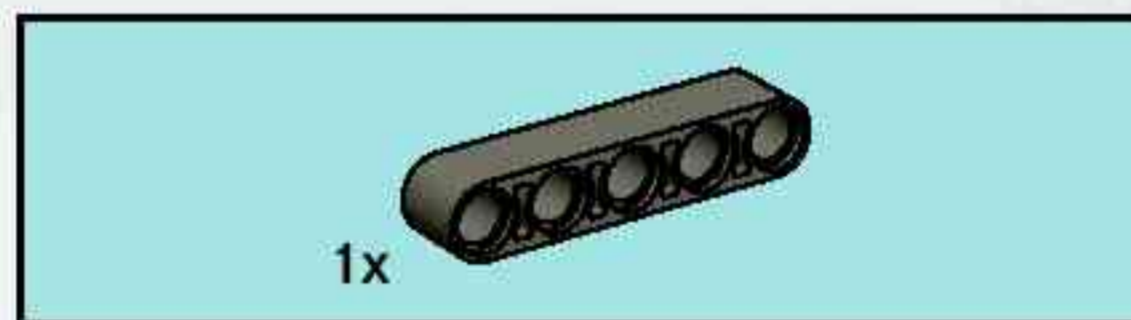
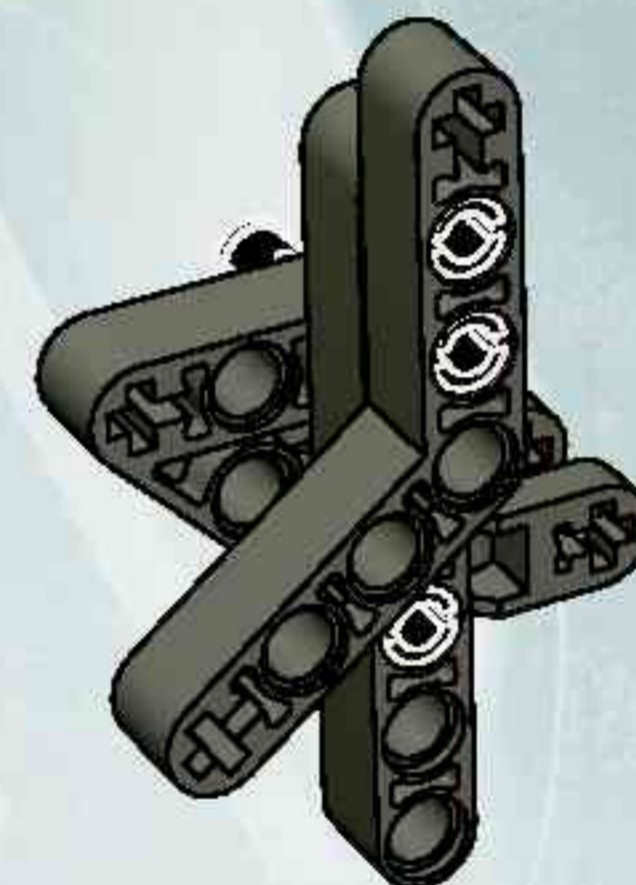
2



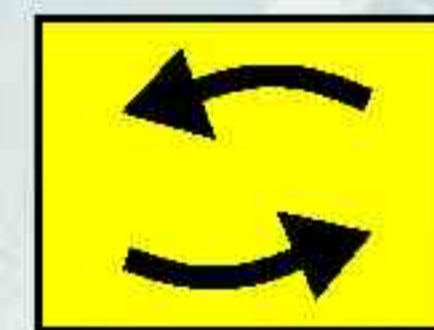
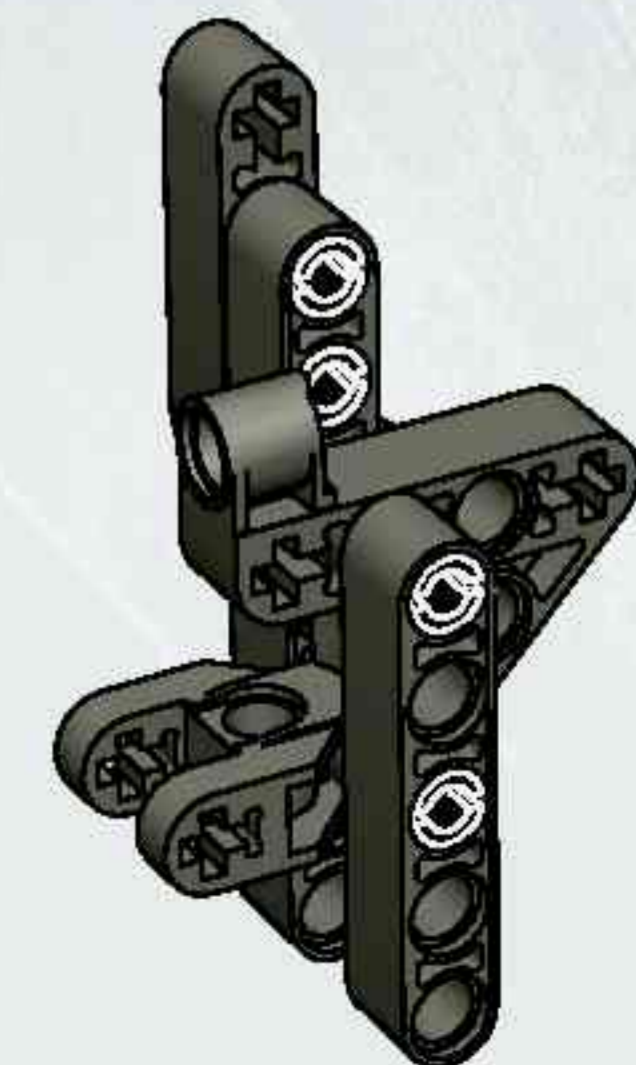
3

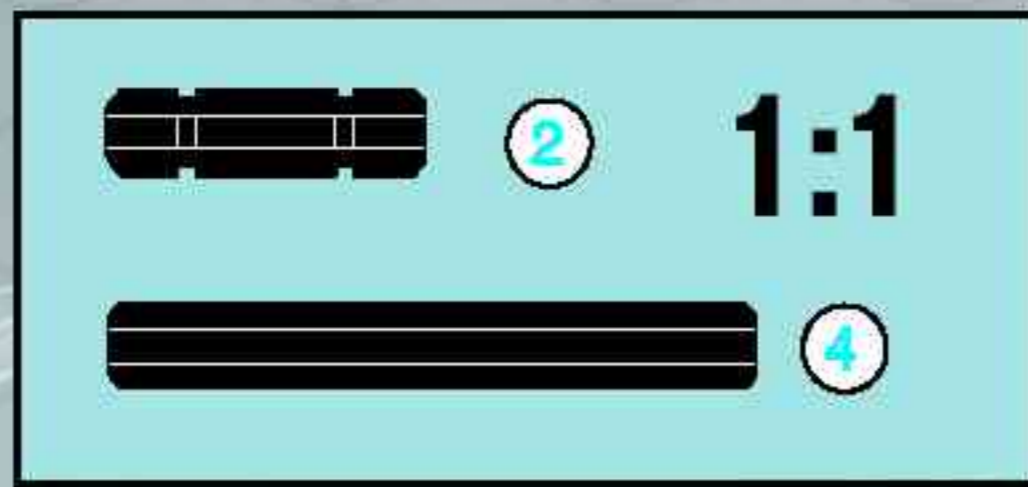
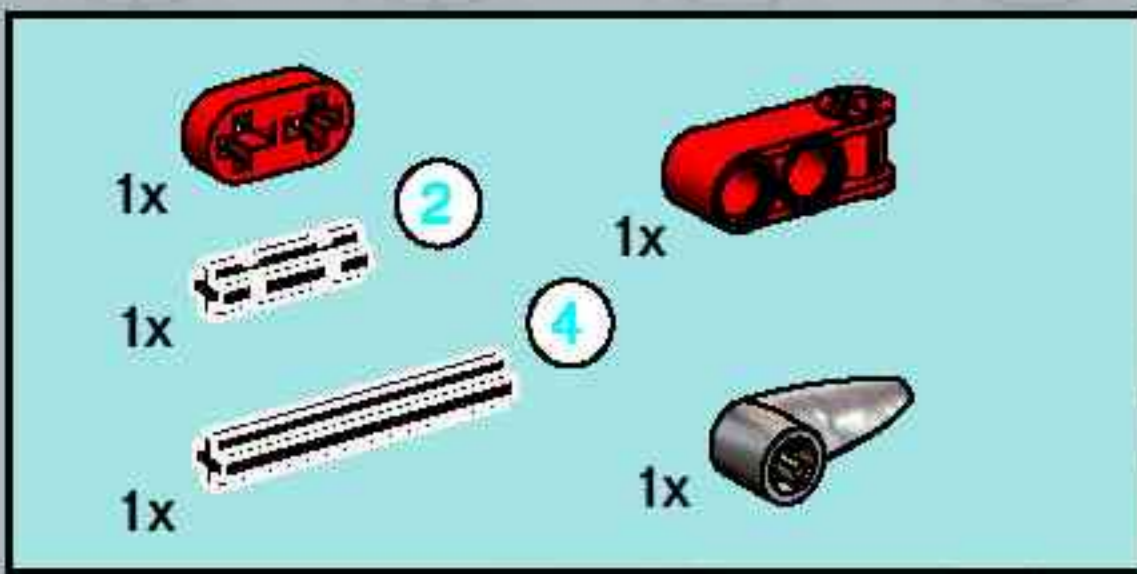


4

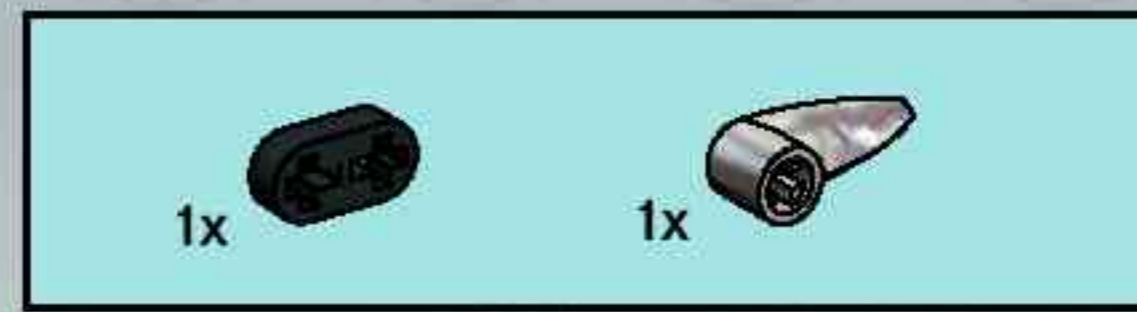
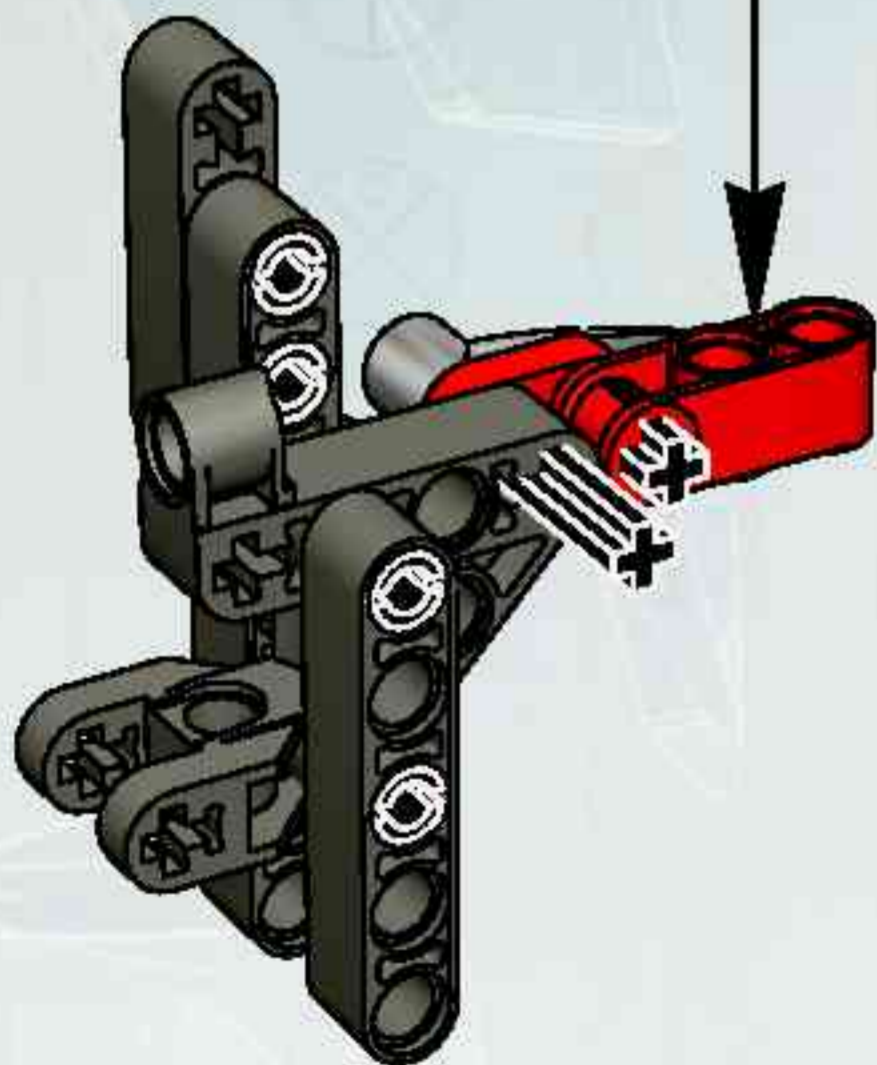
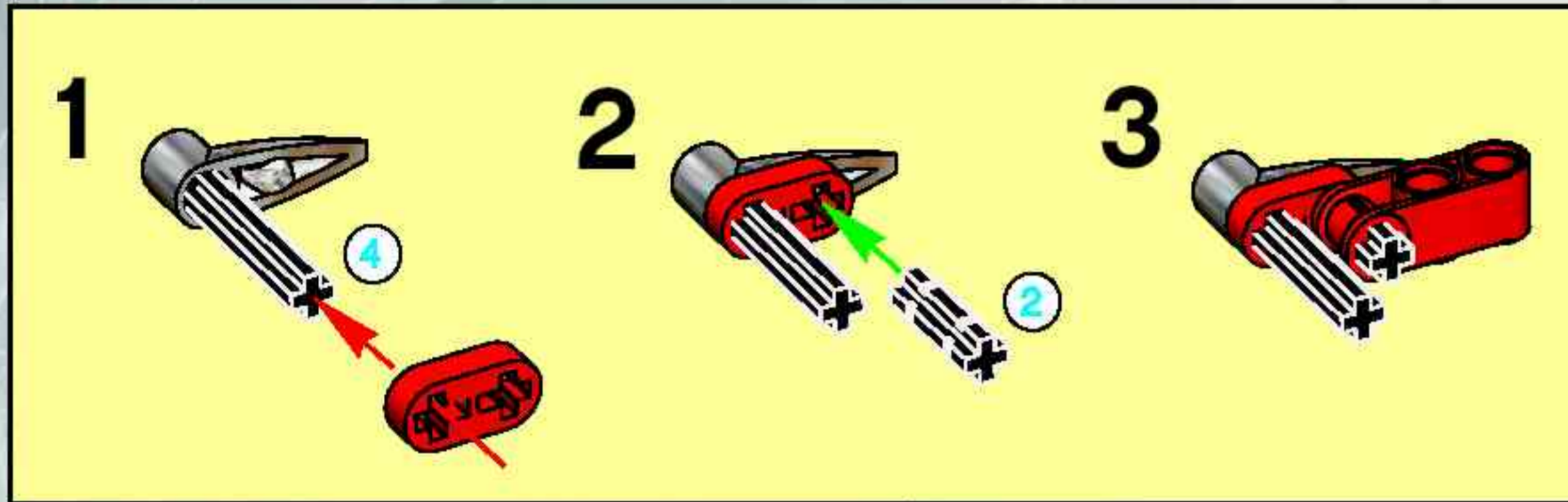


5

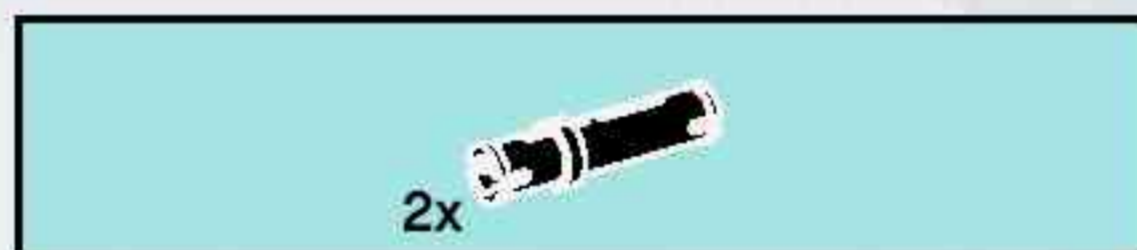
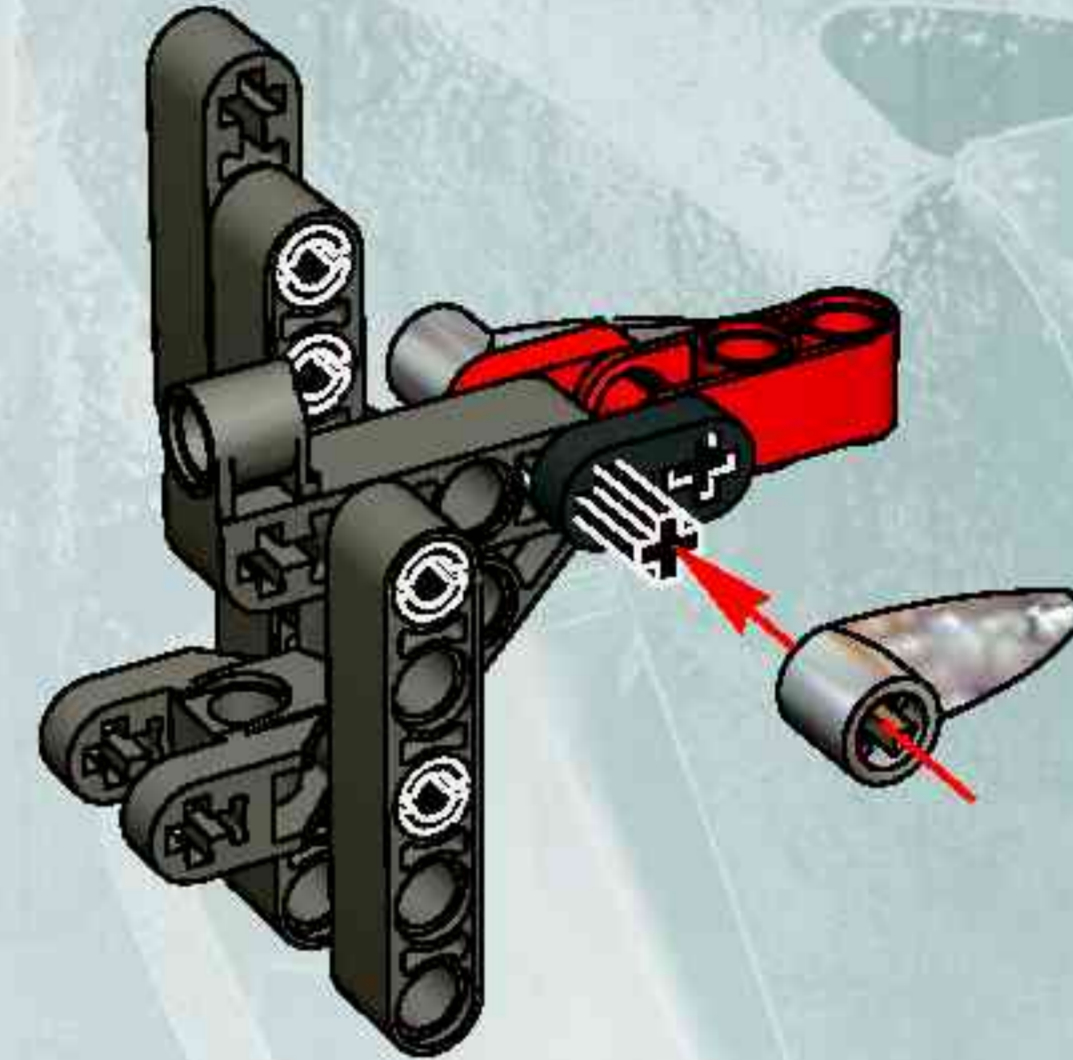




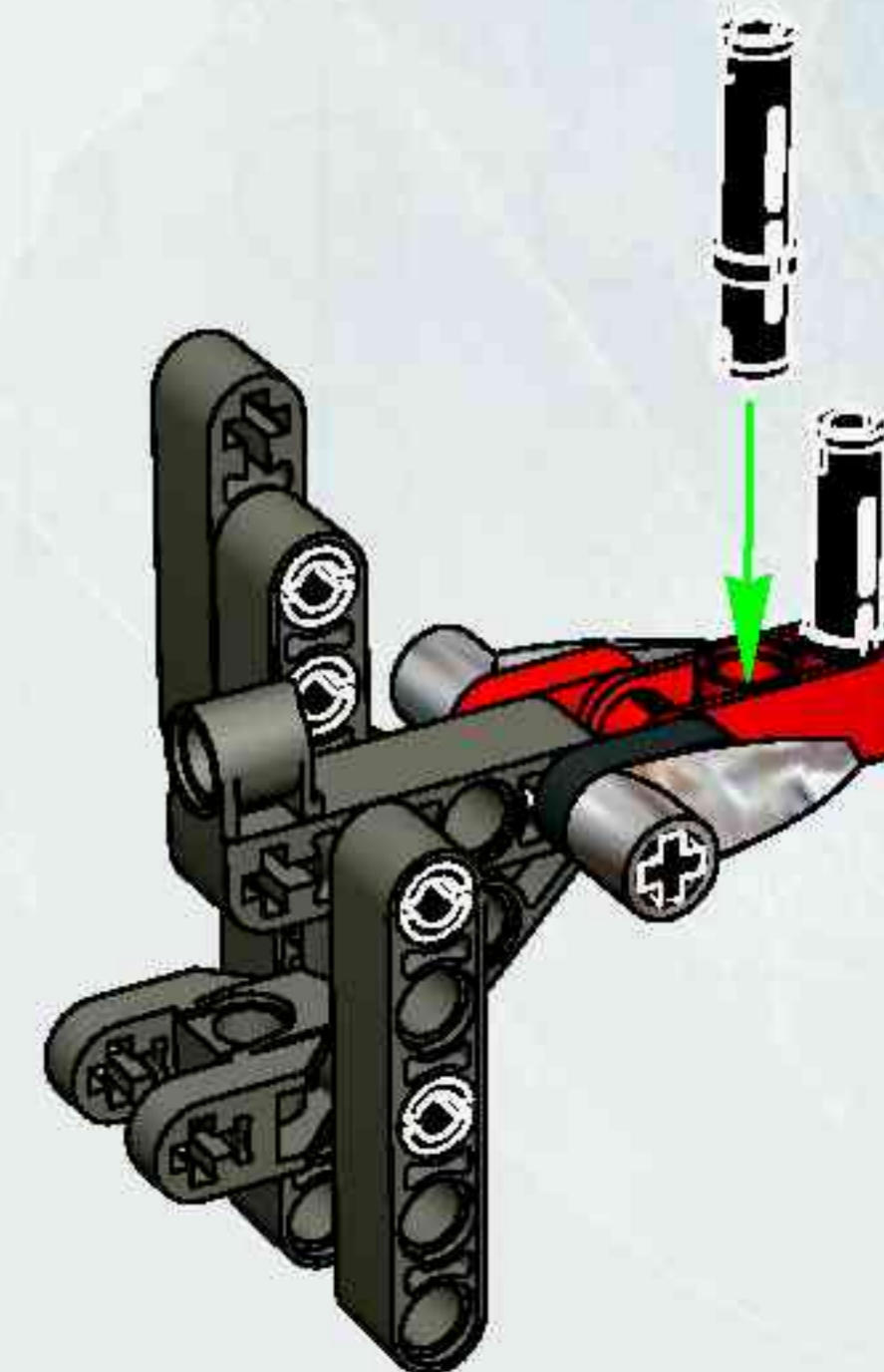
6



7

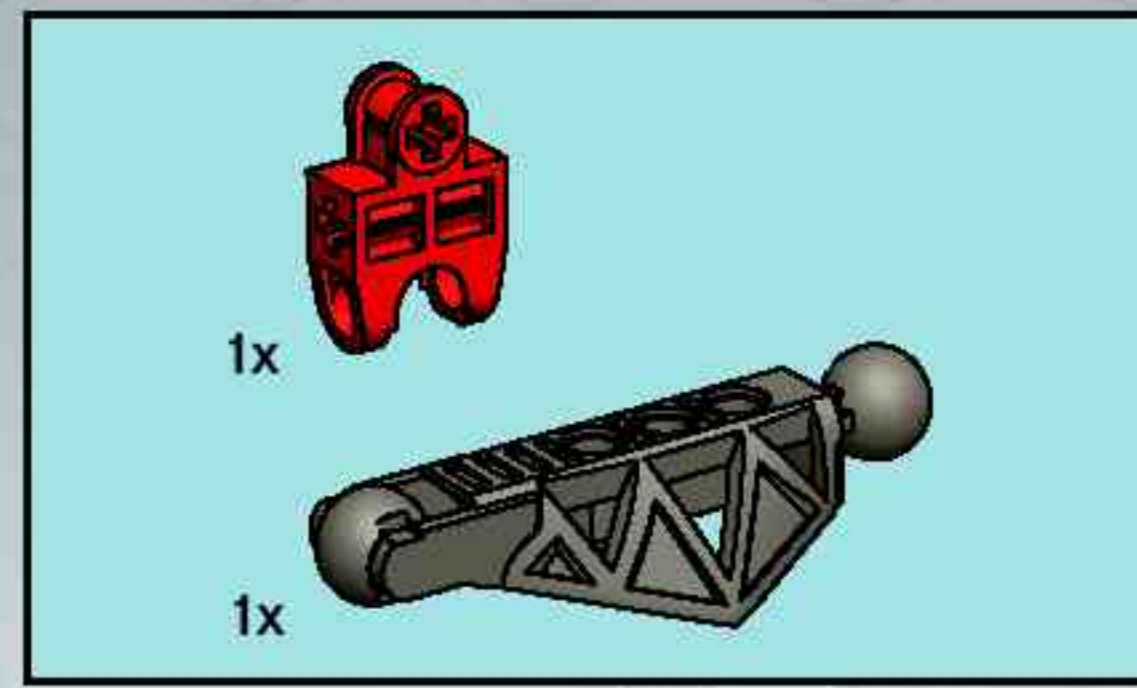
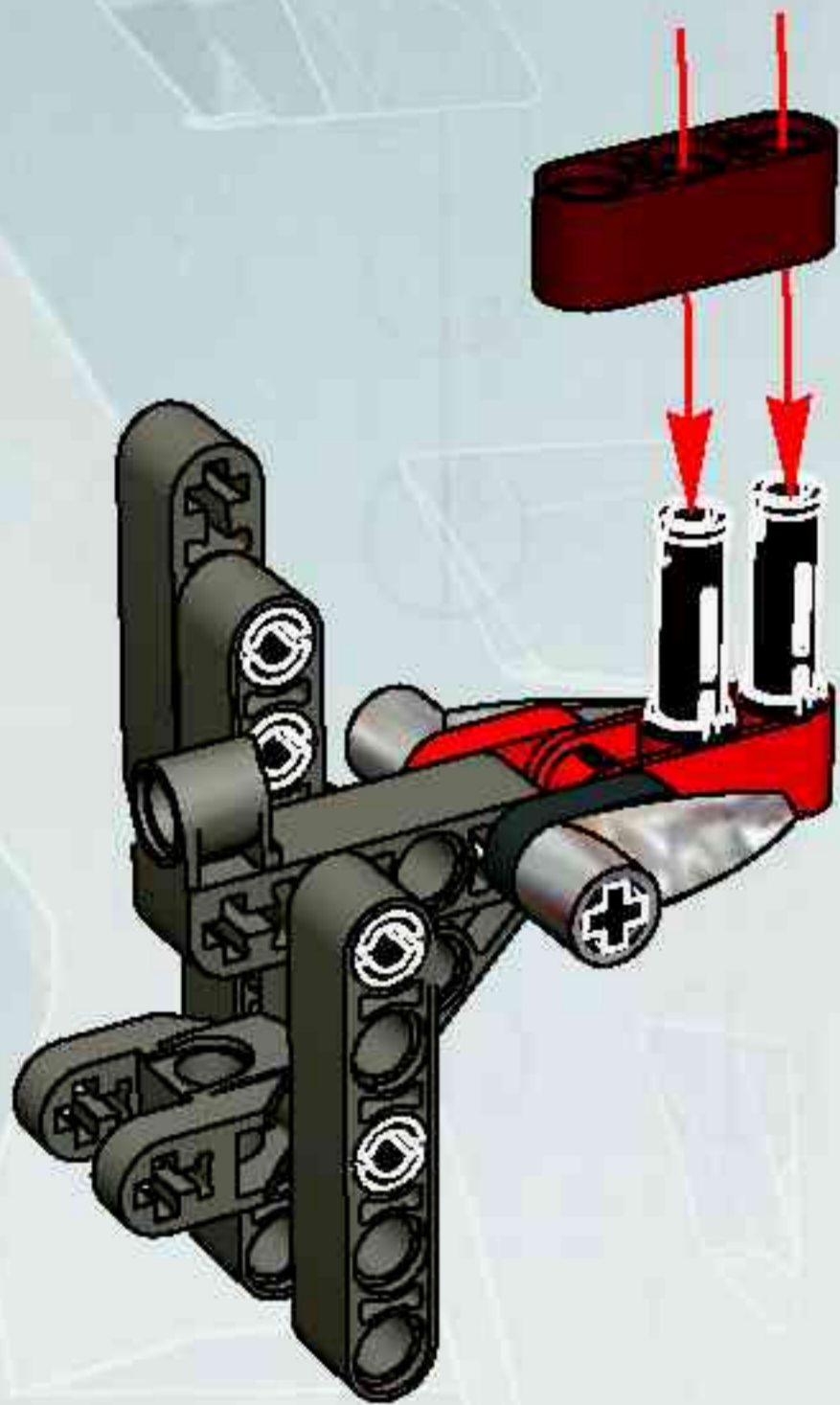


8

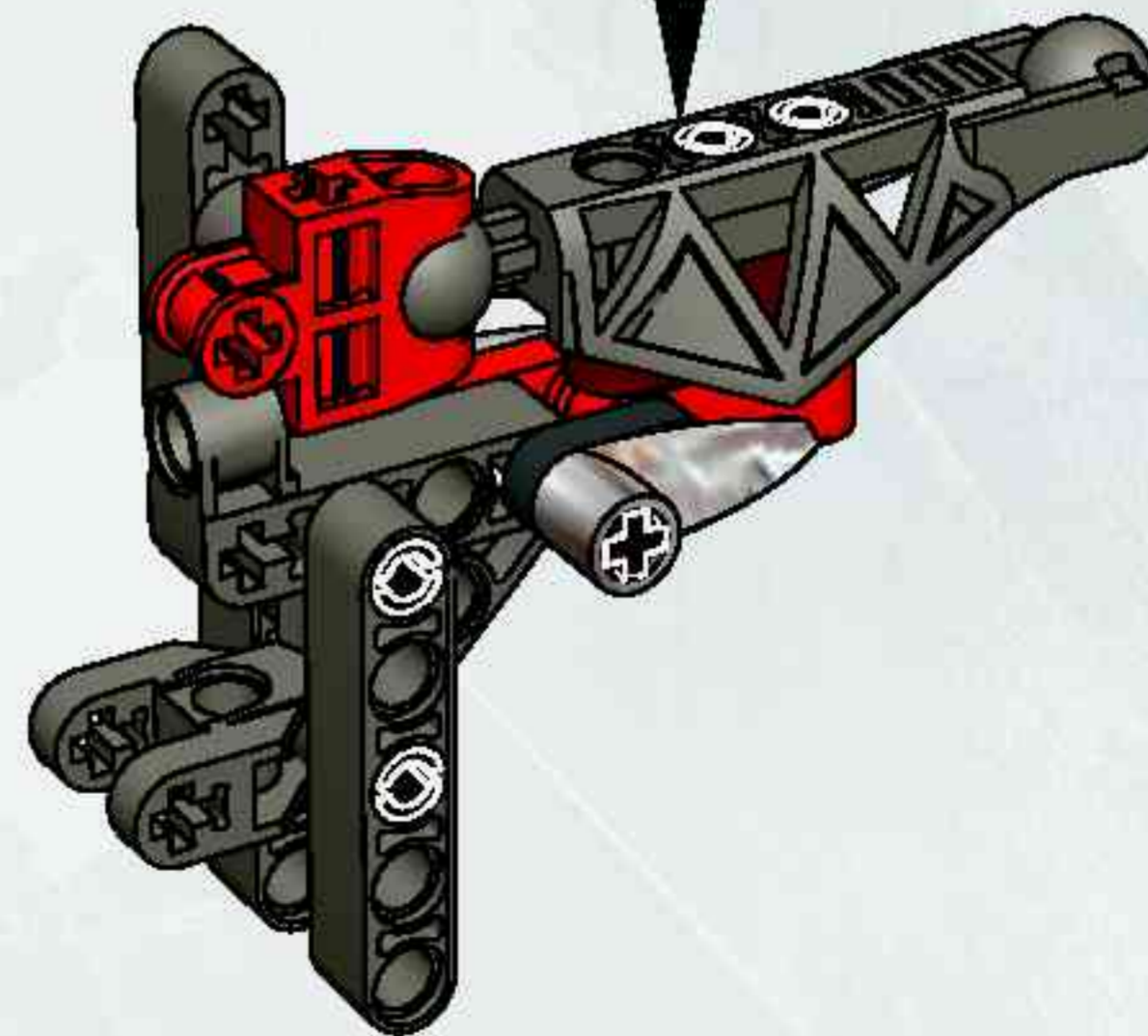
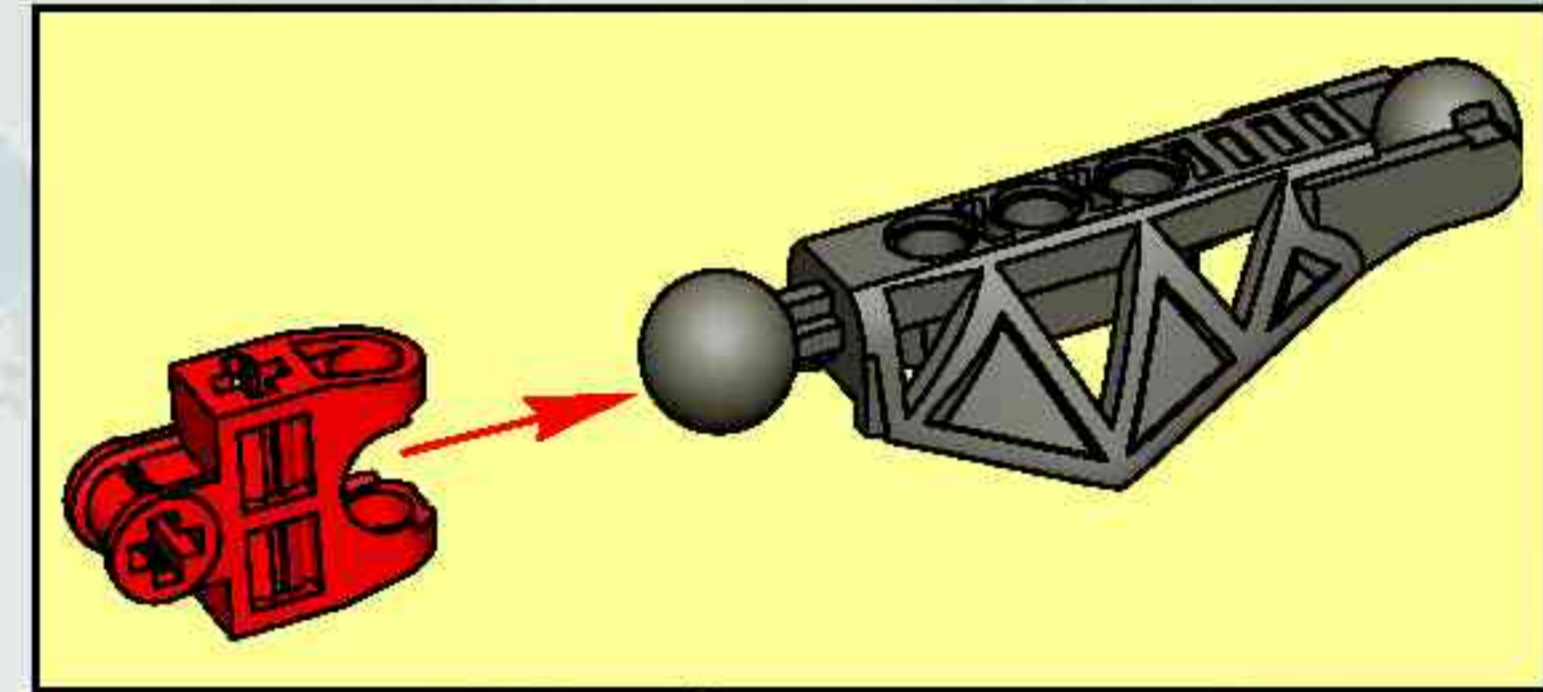


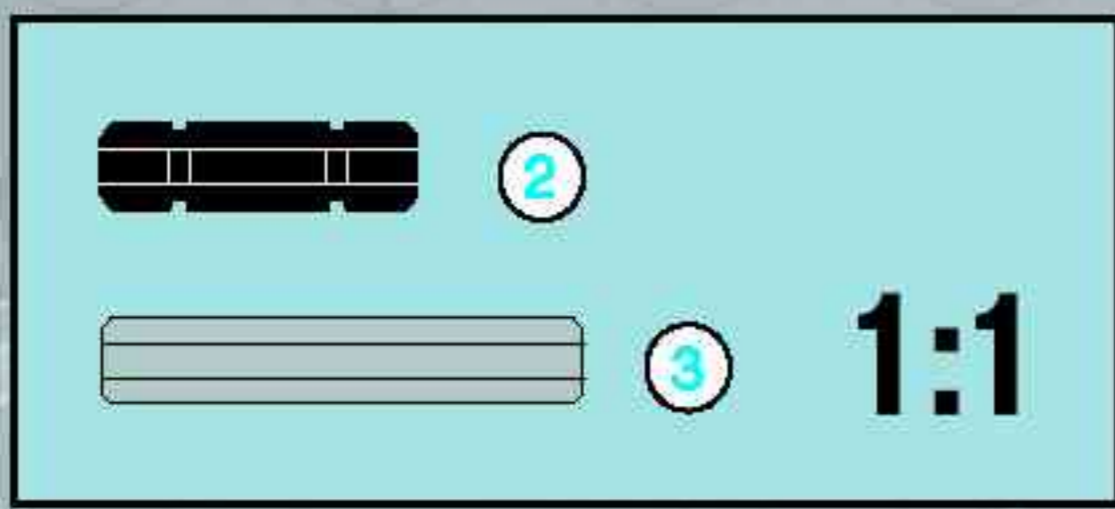
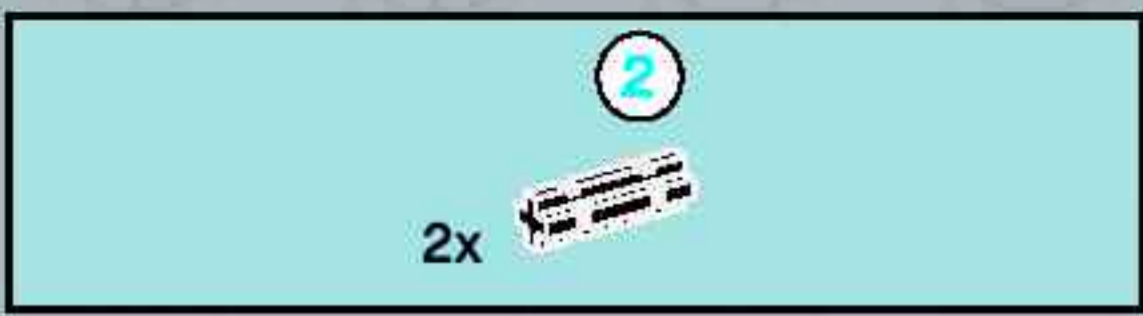


9

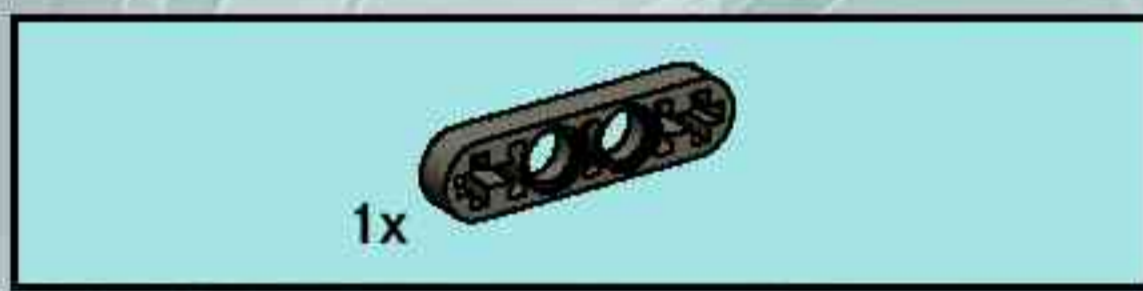
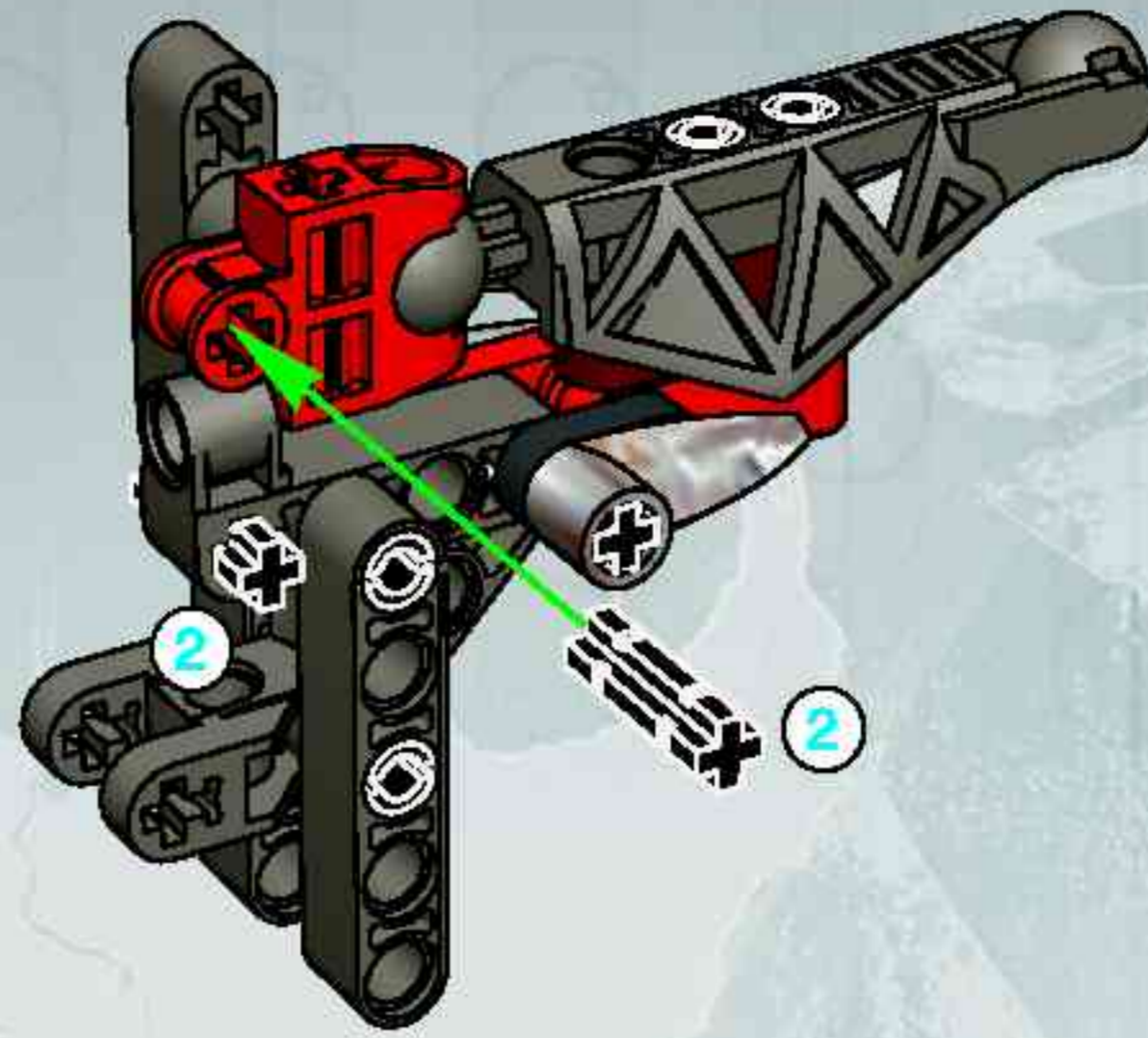


10

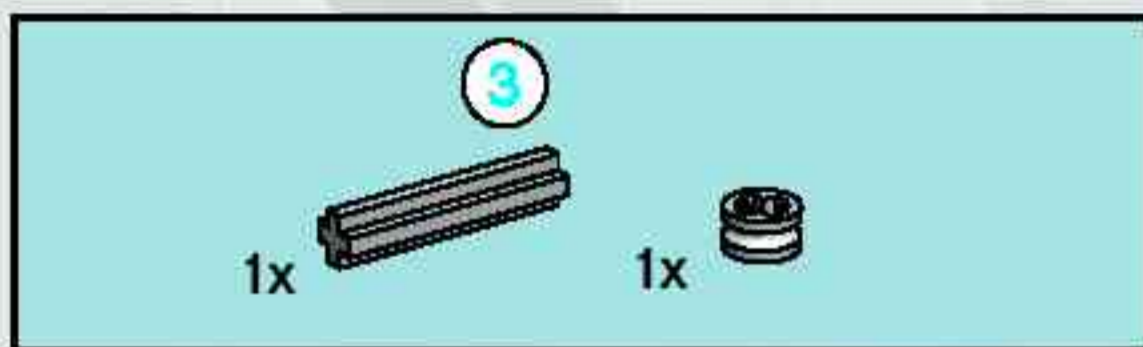
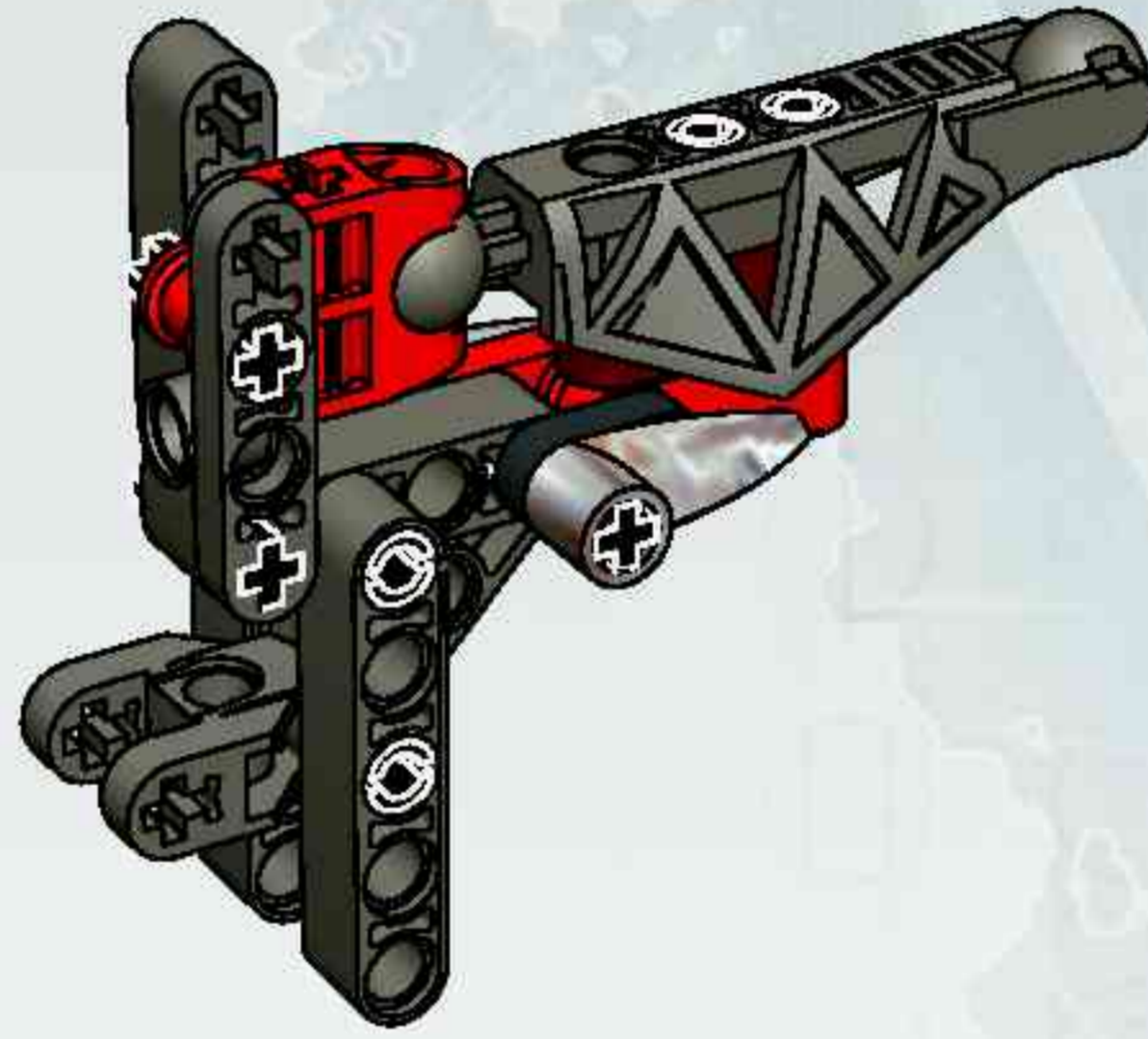




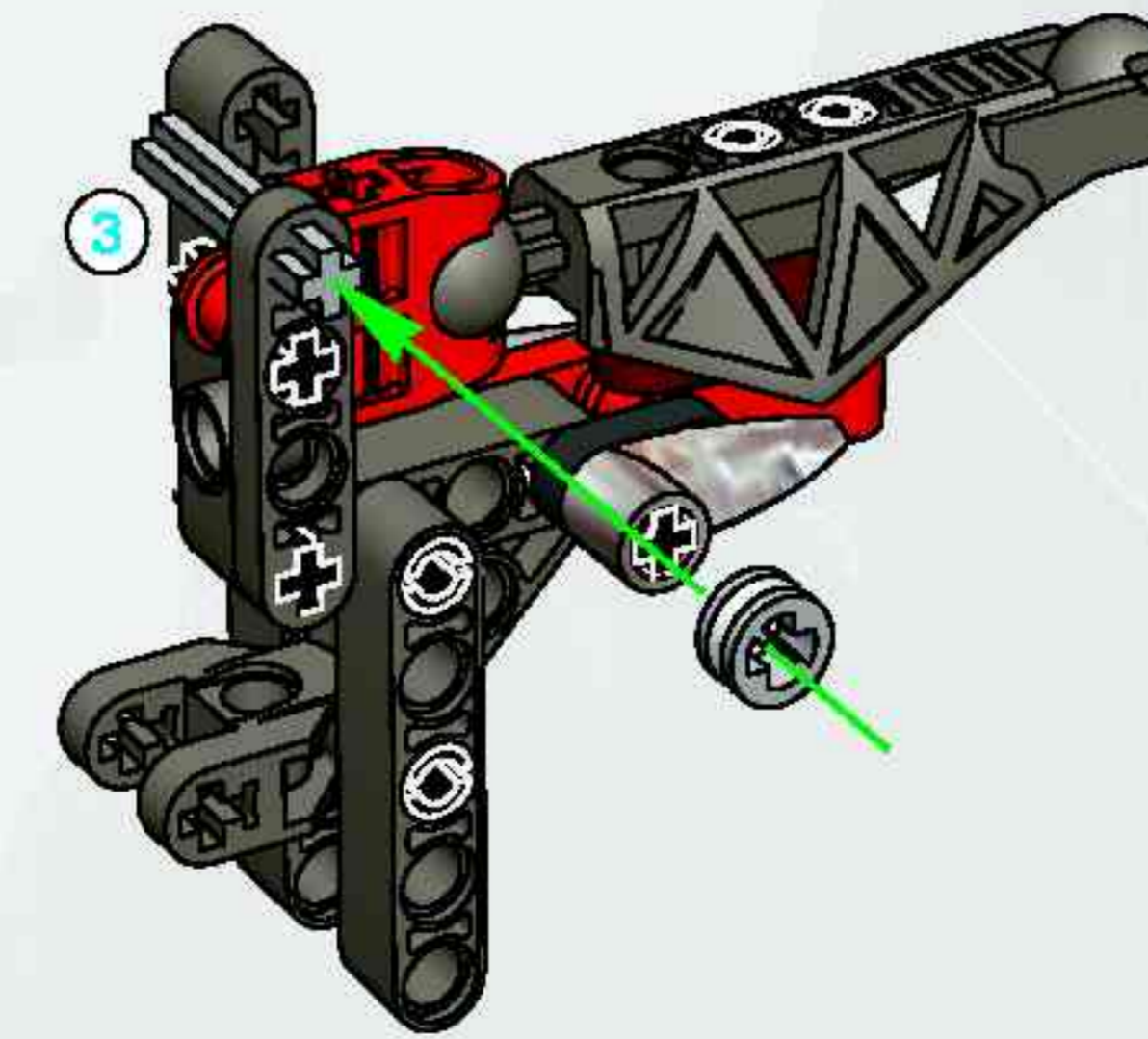
11

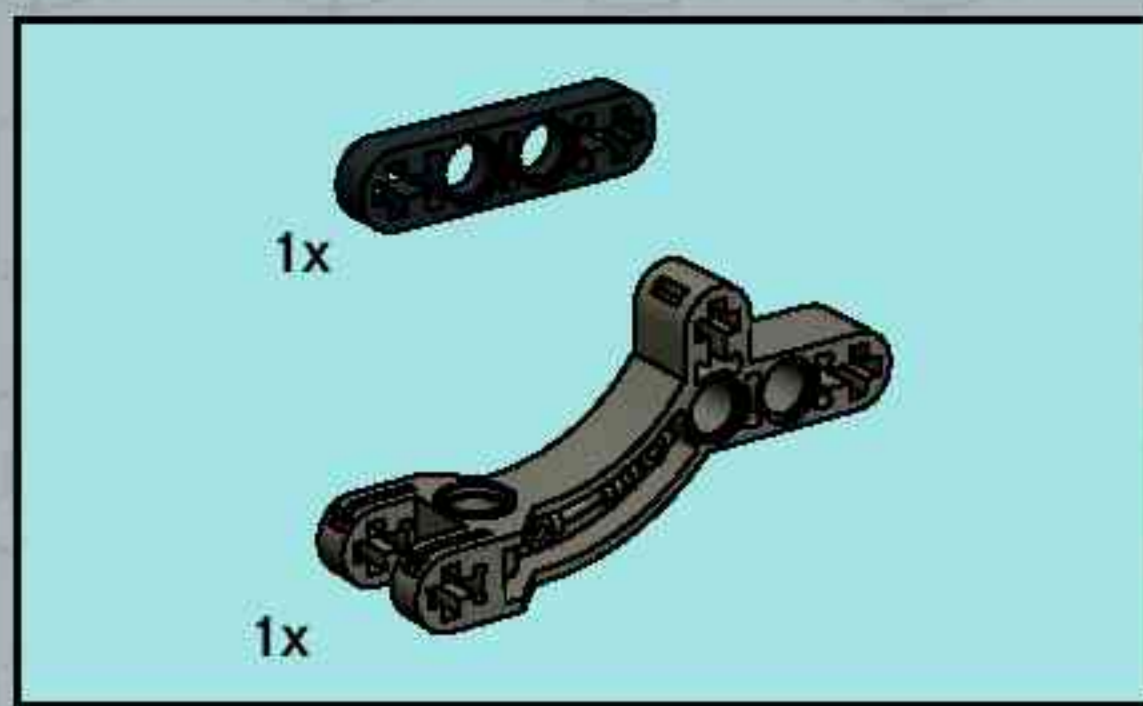


12

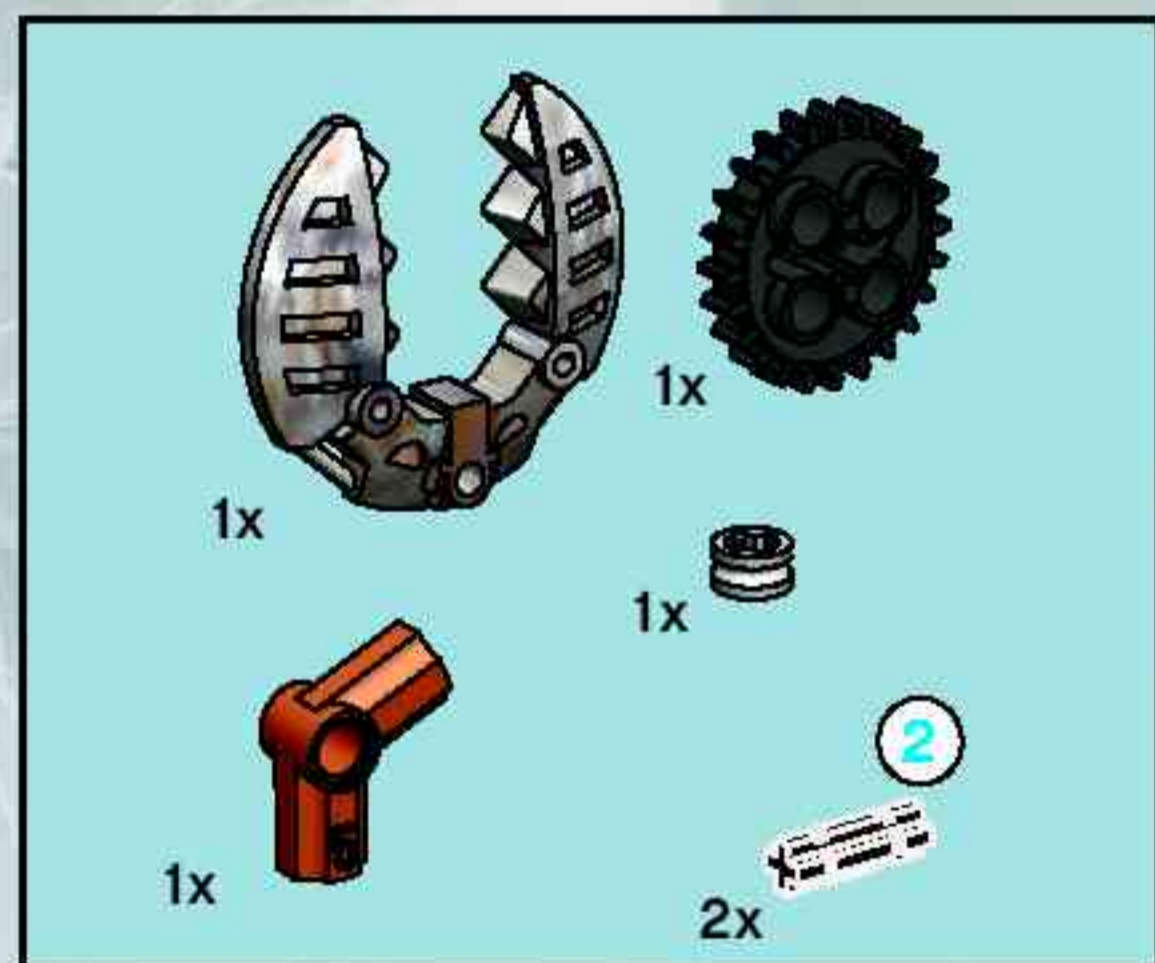
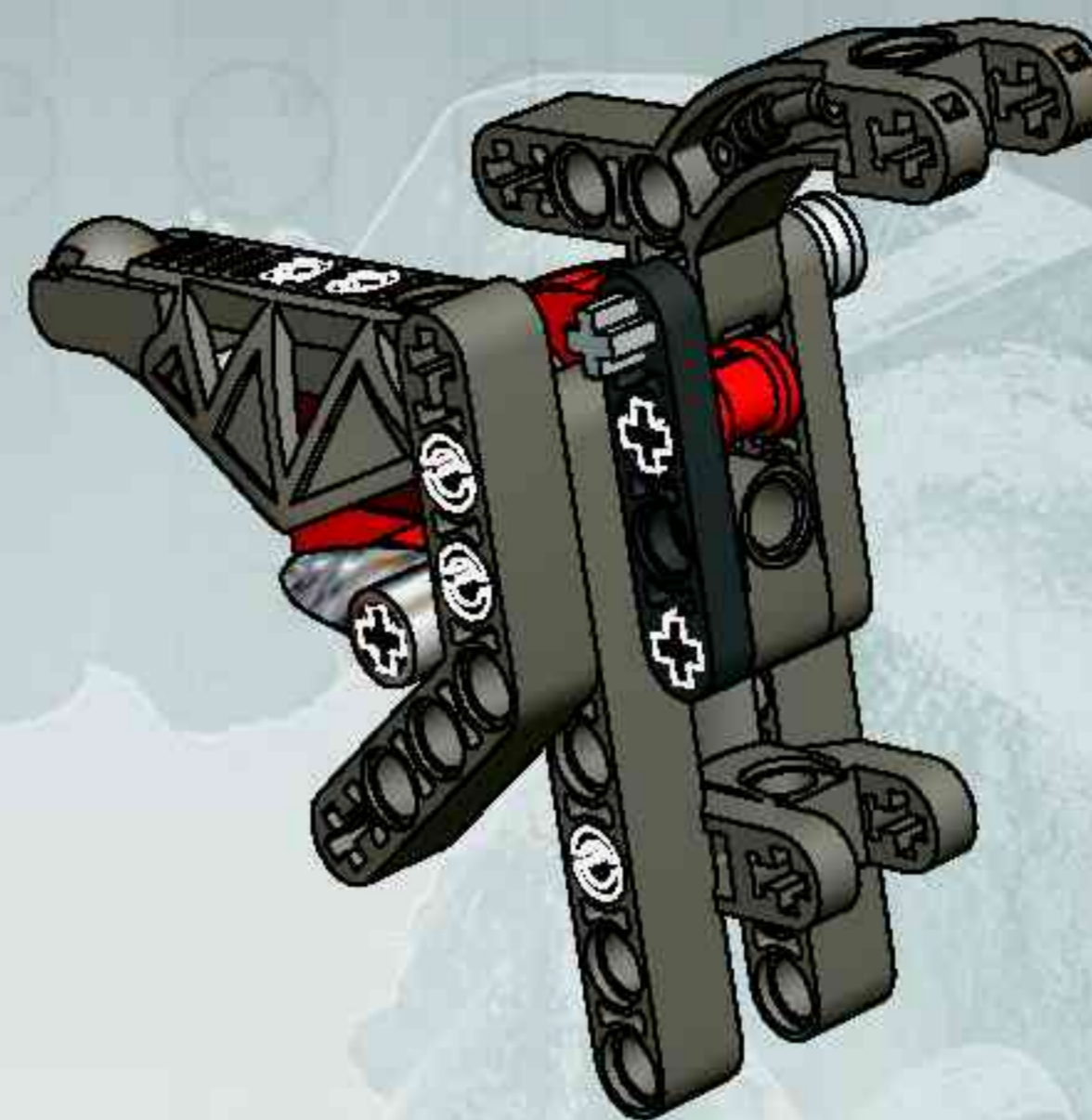


13

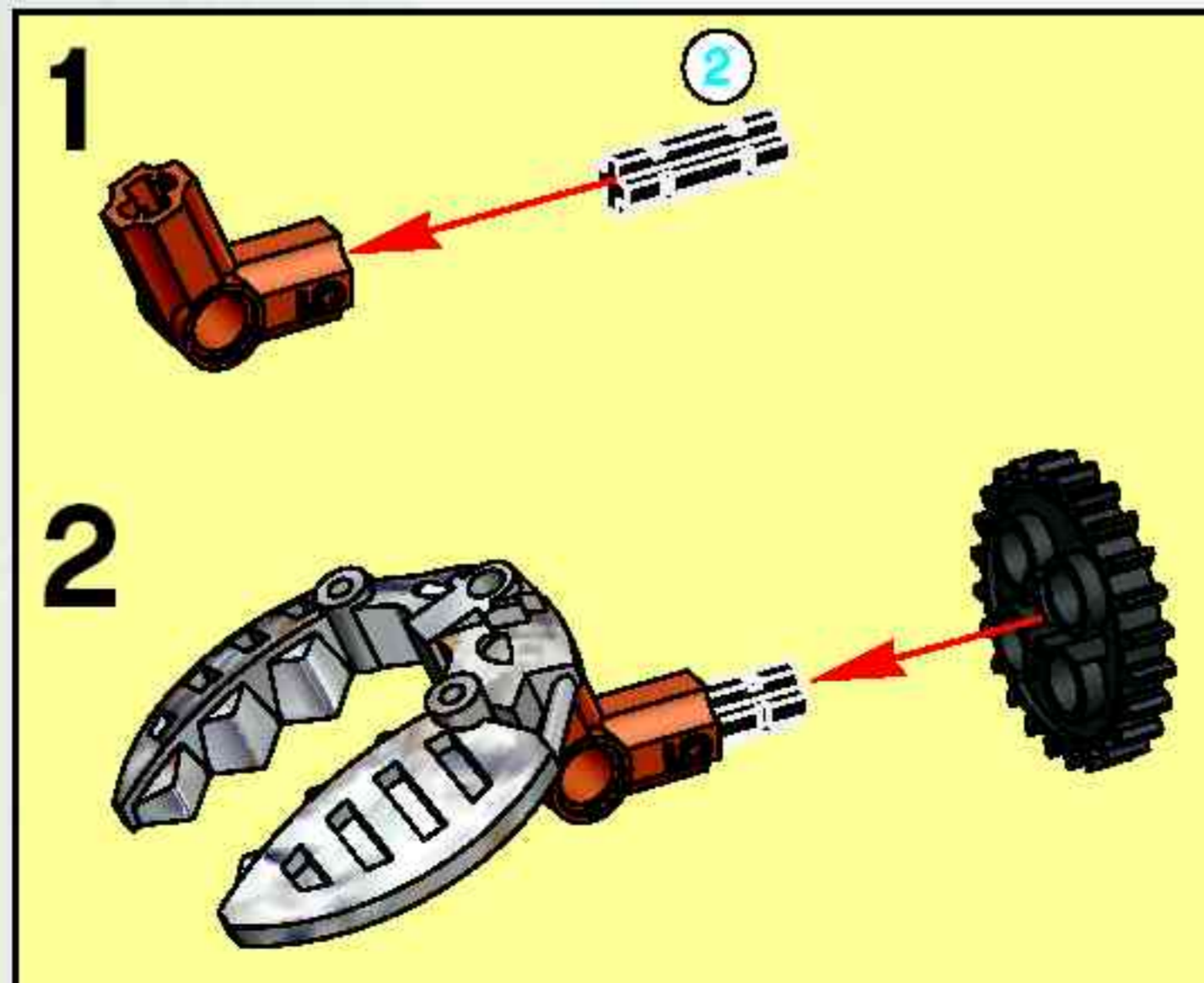
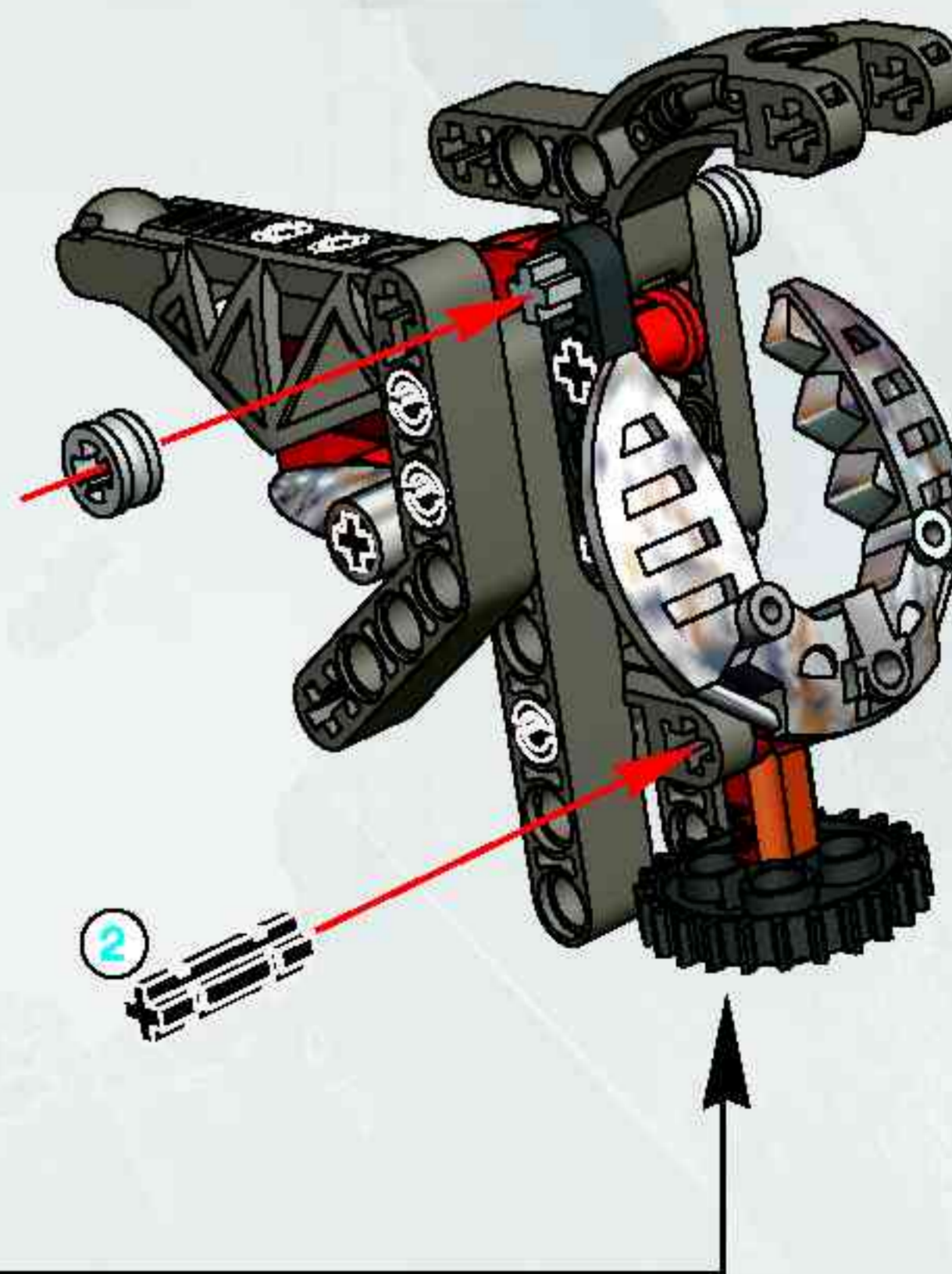


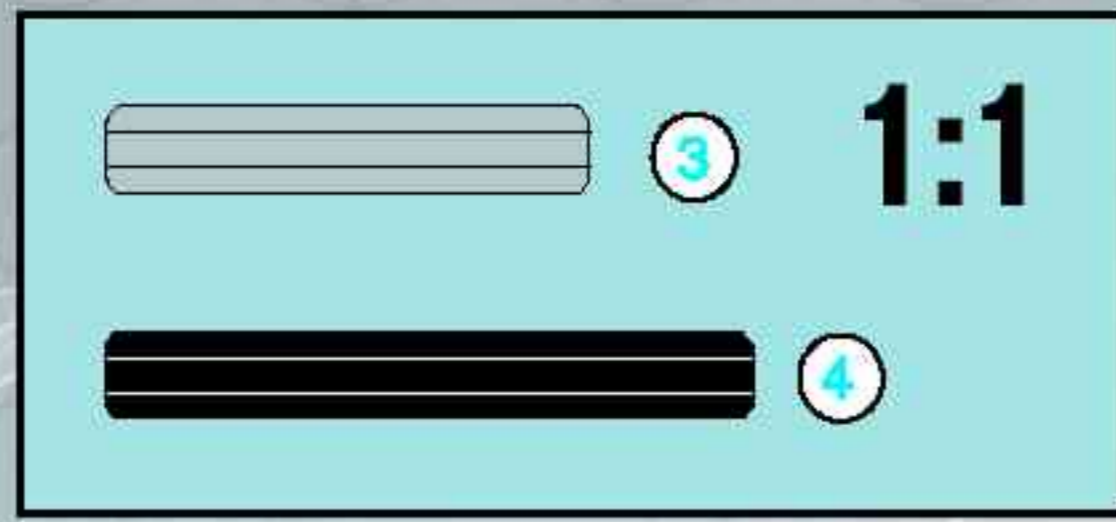
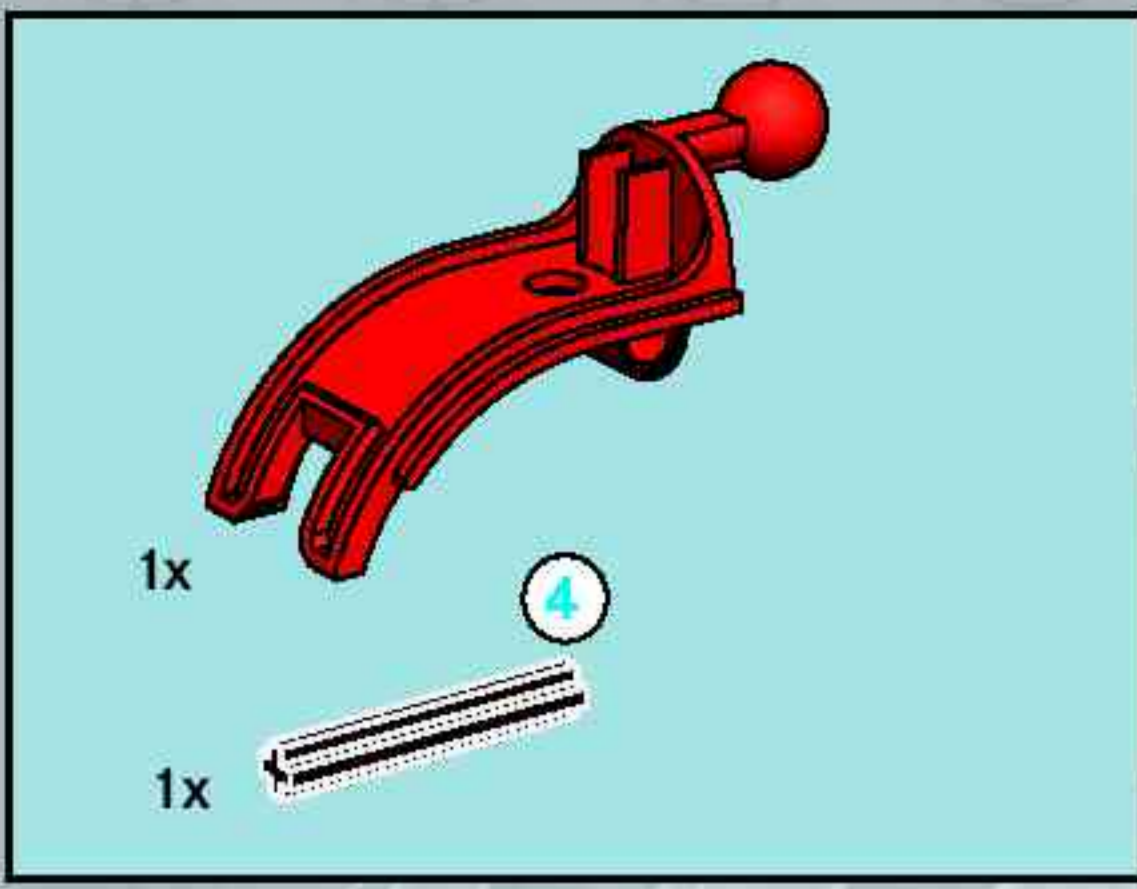


14

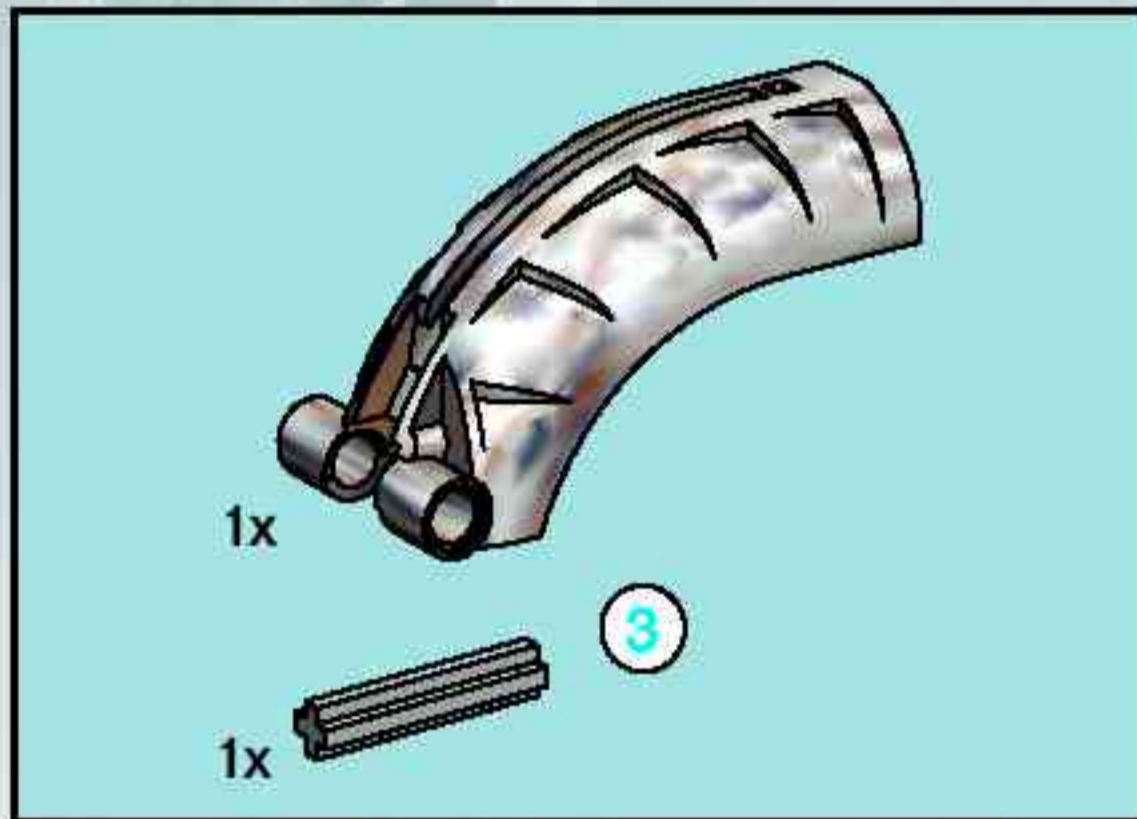


15

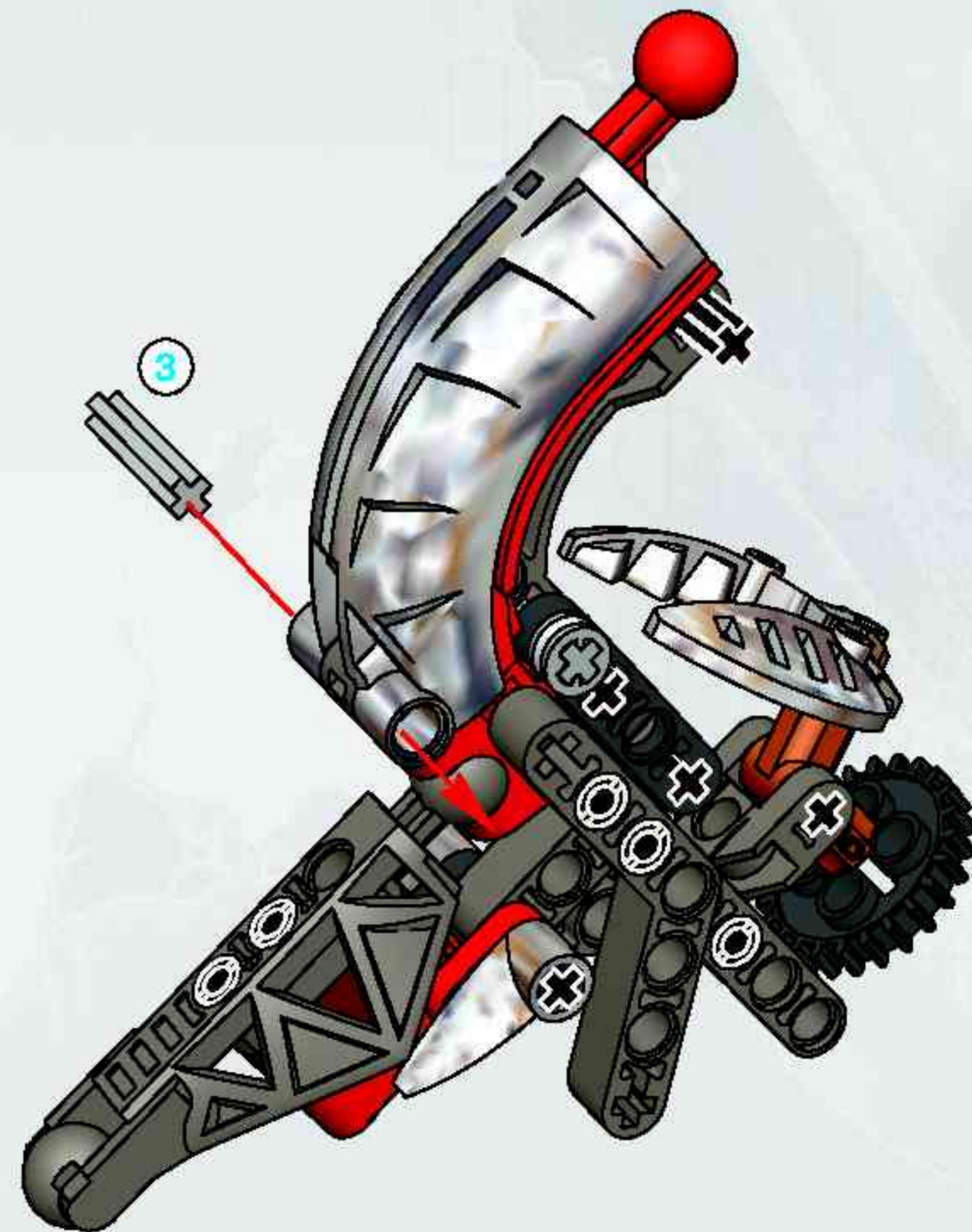


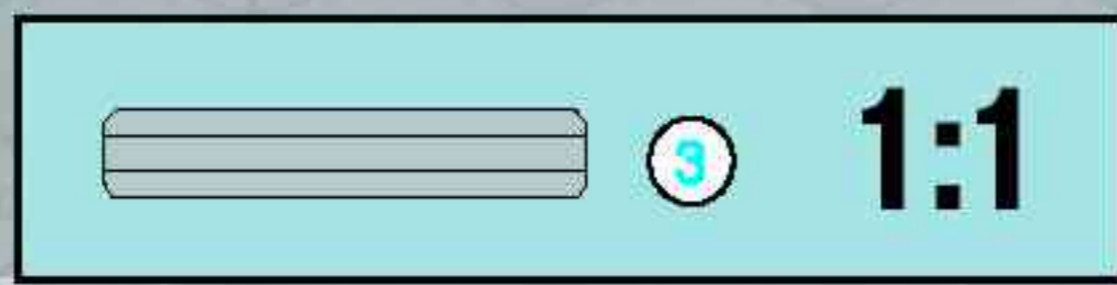
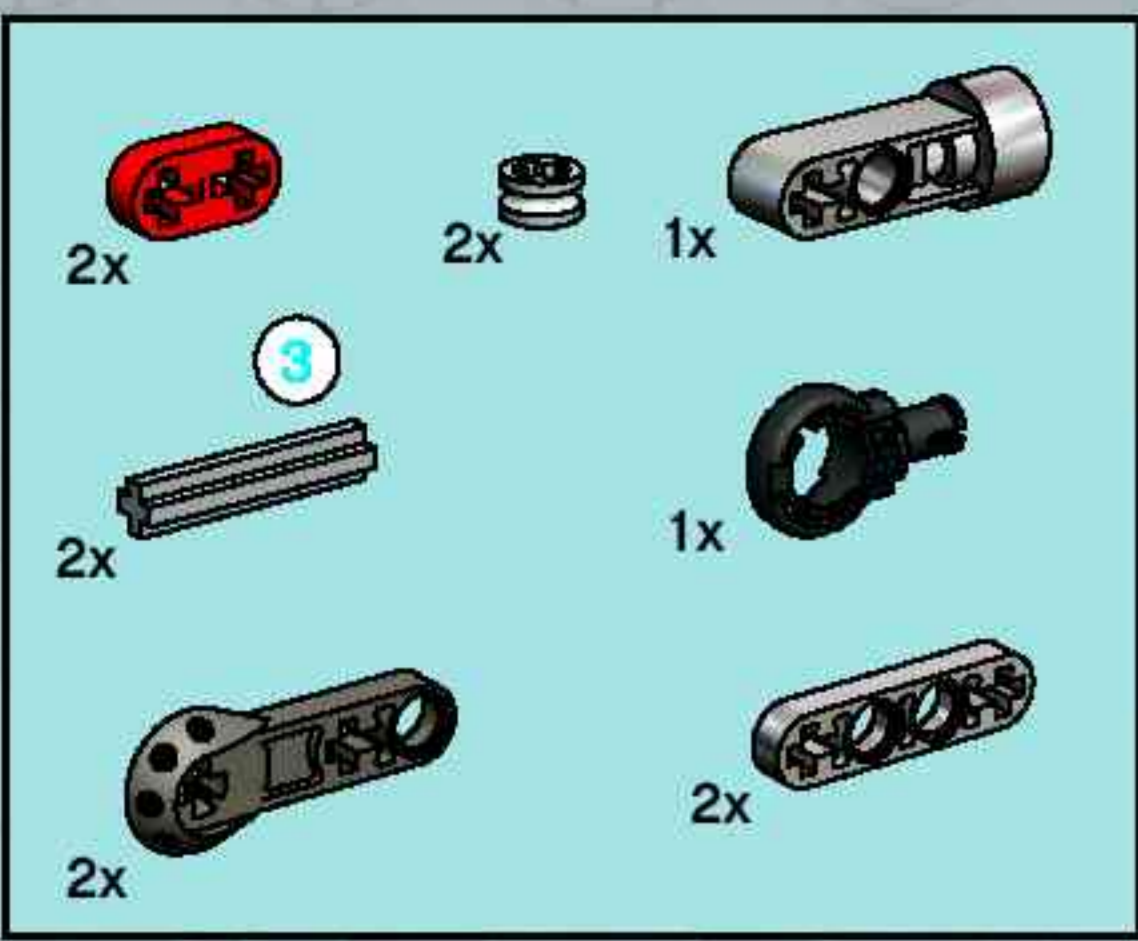


16

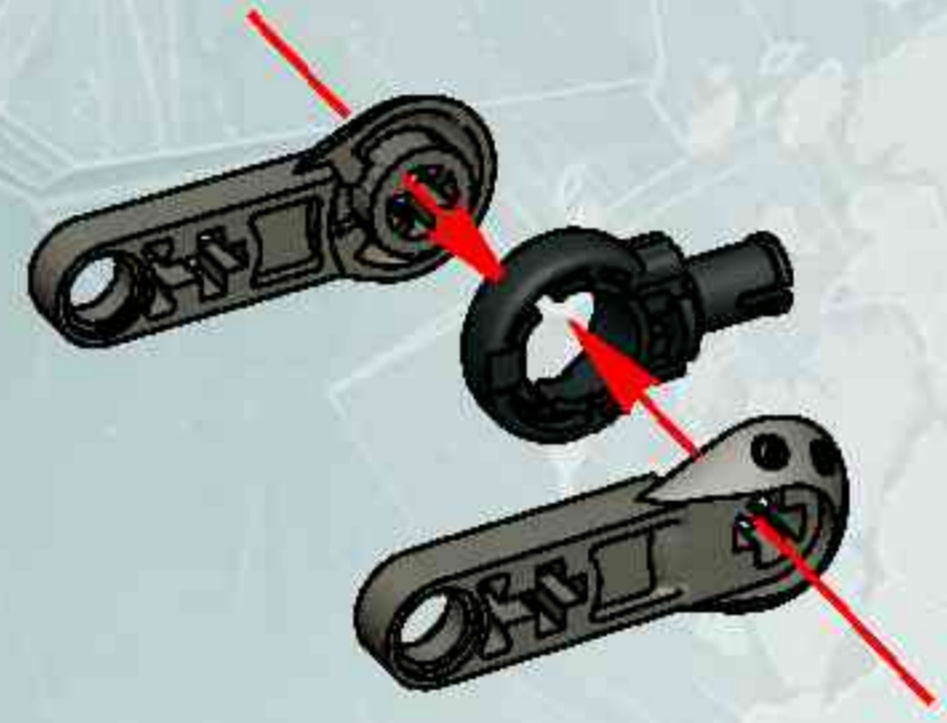


17

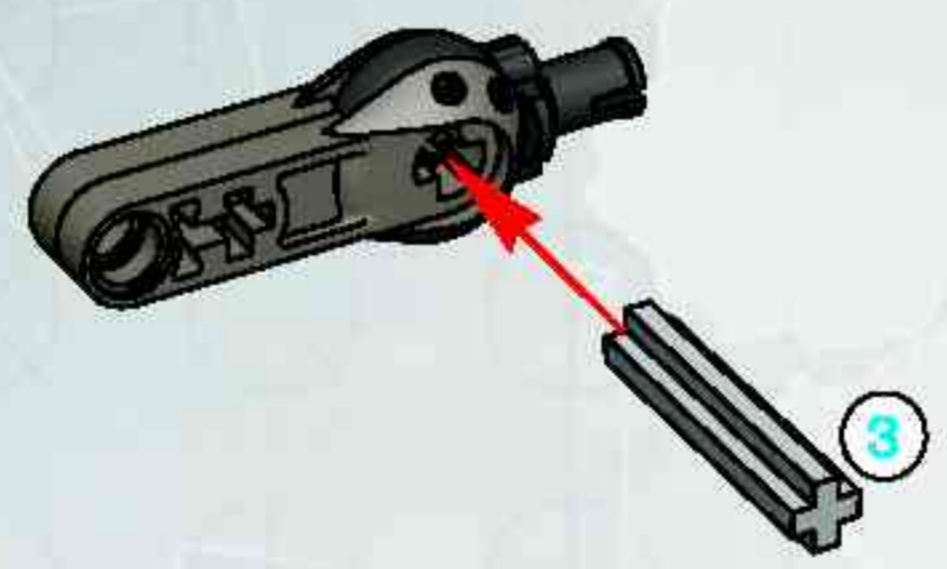




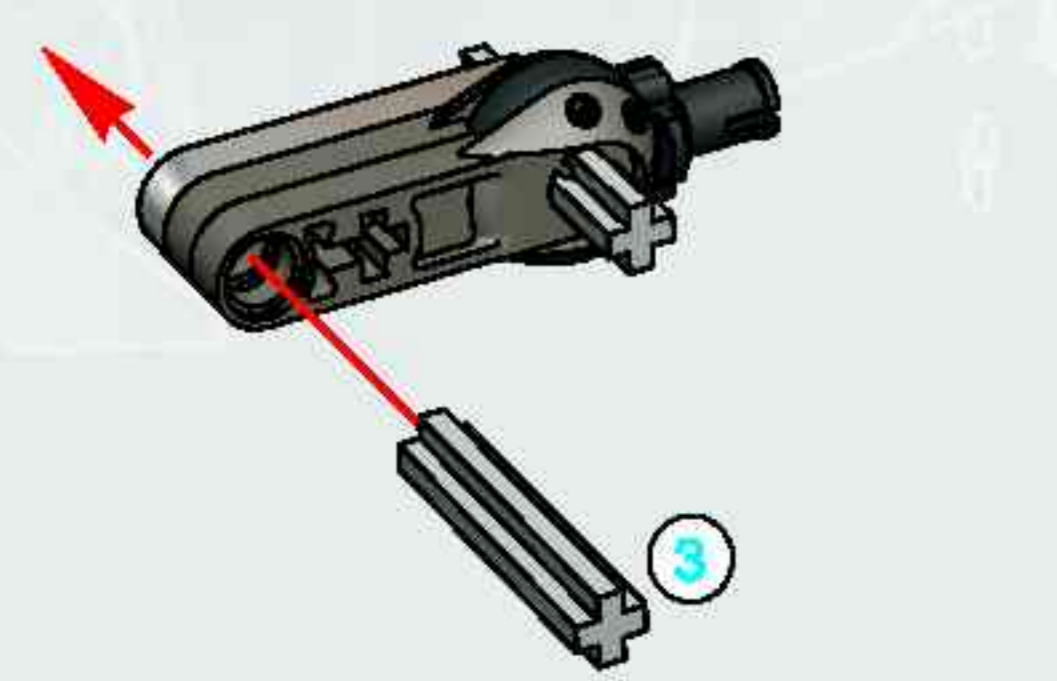
1



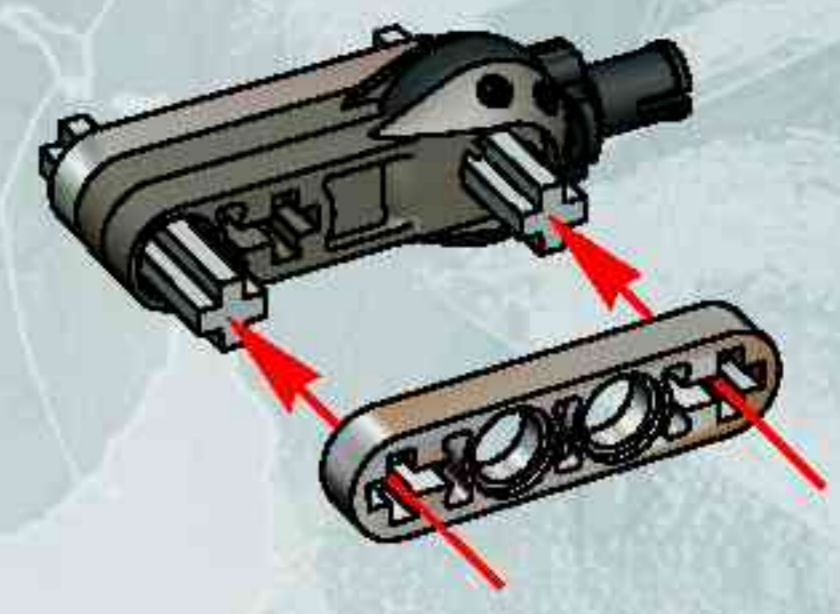
2



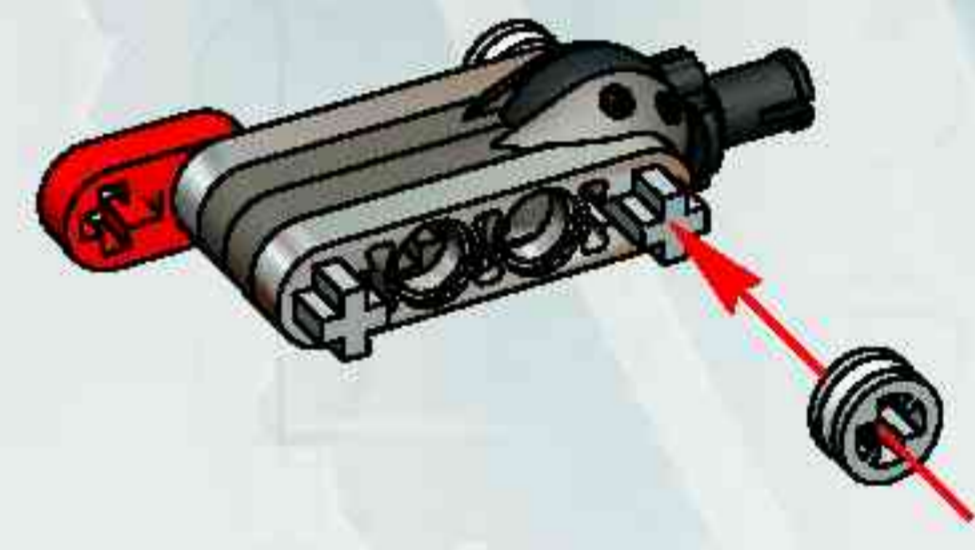
3



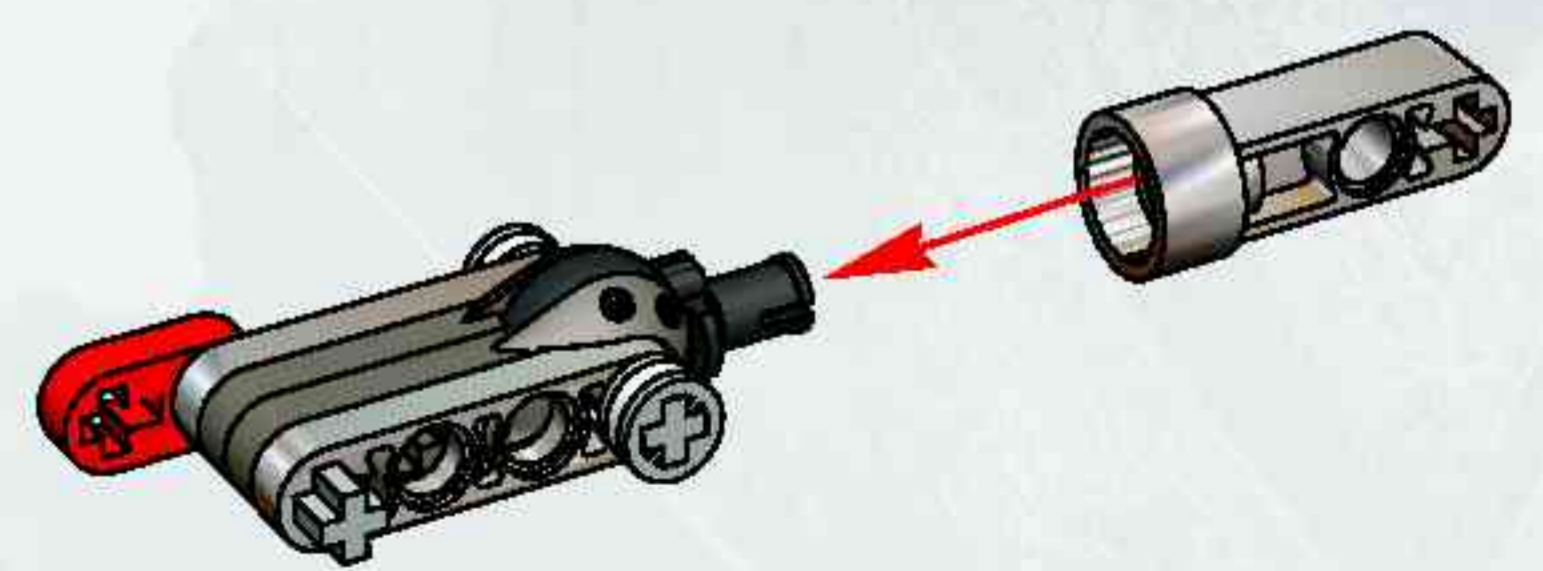
4



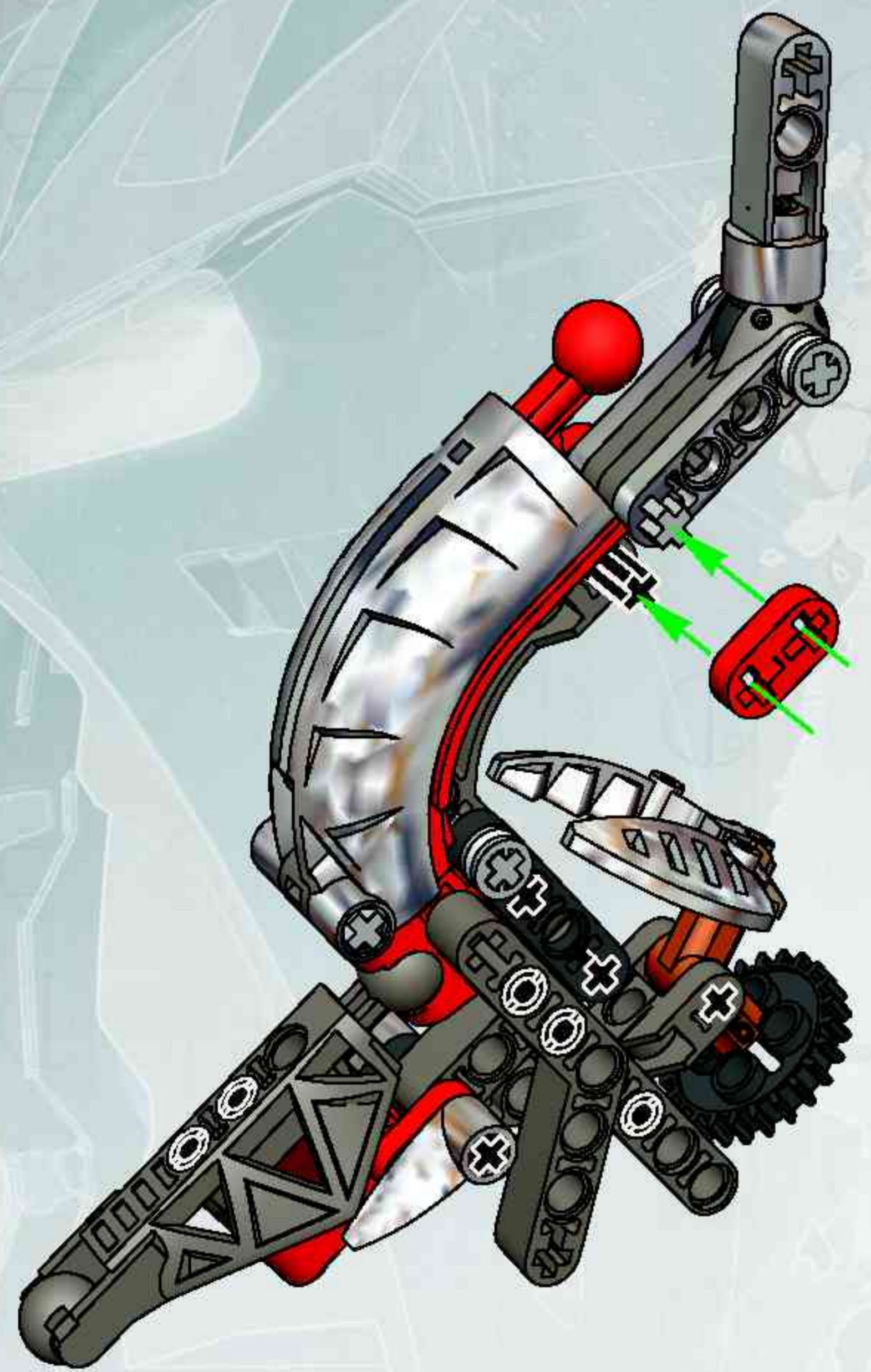
5



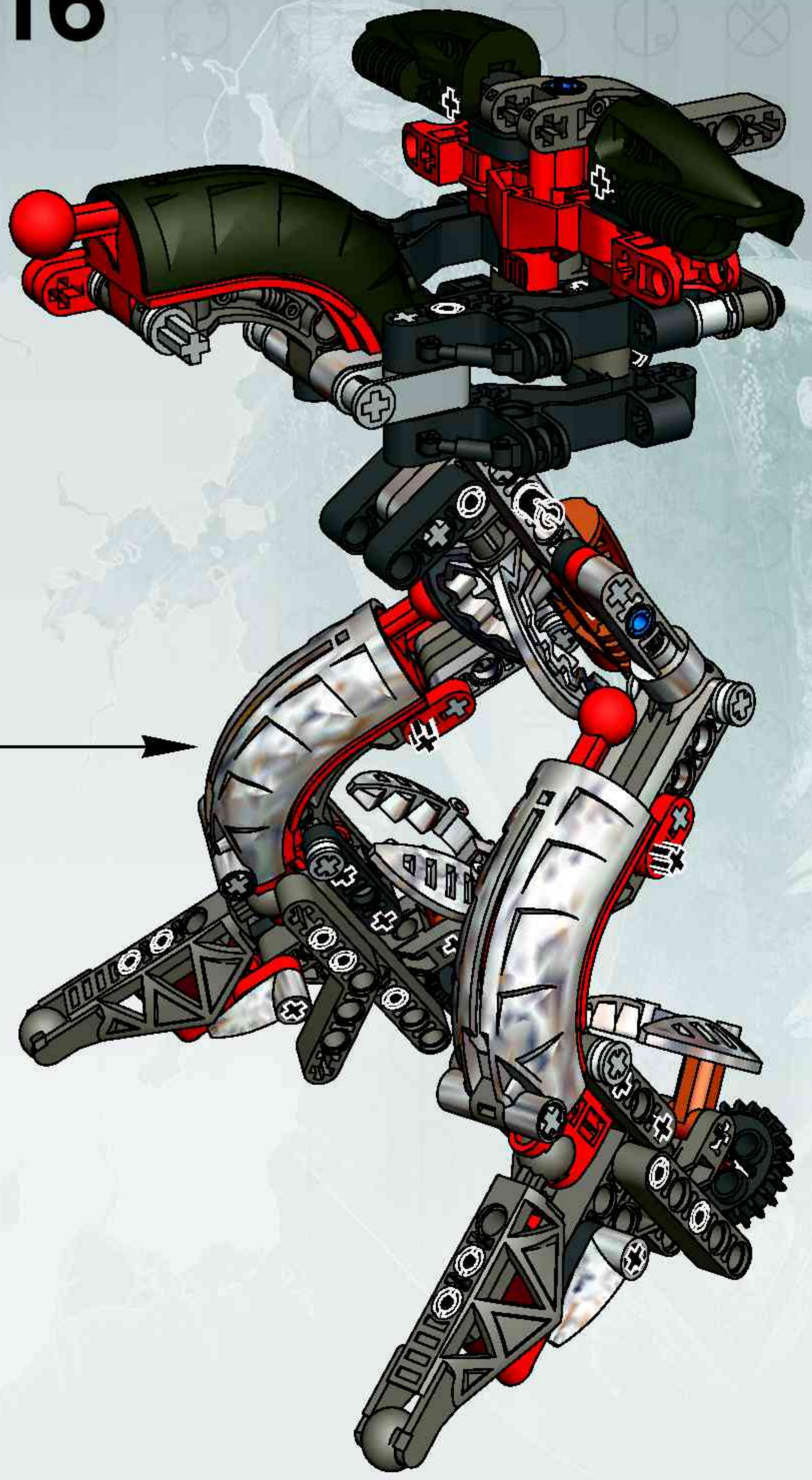
6

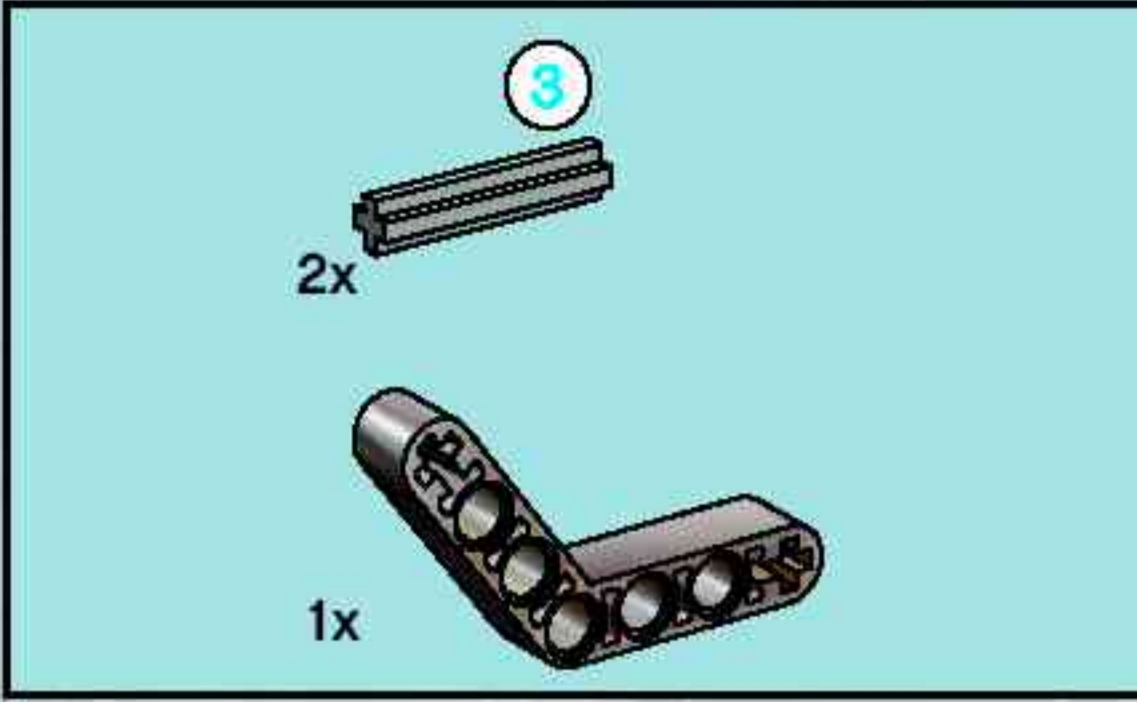
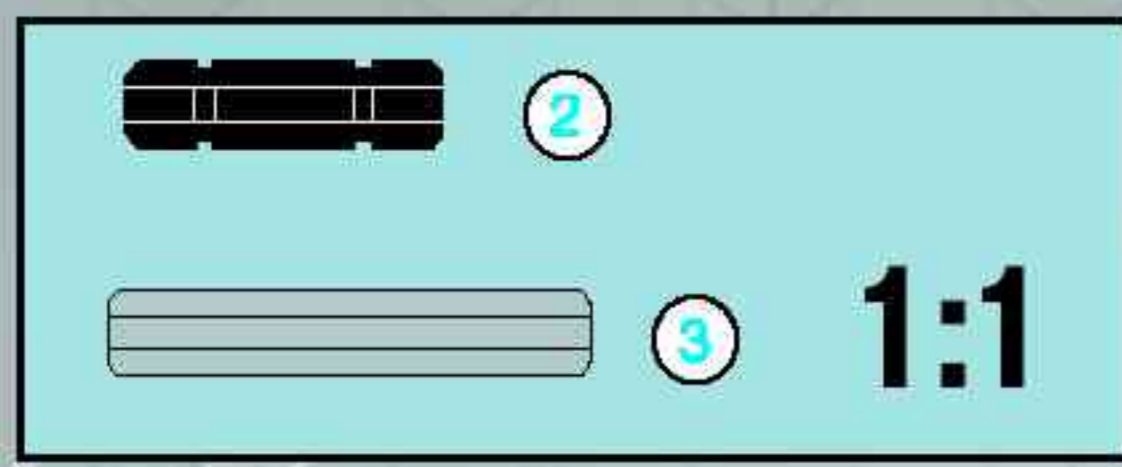
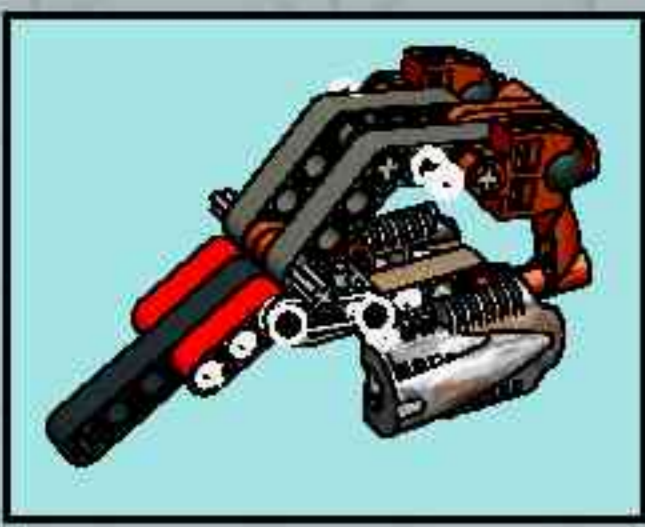


18

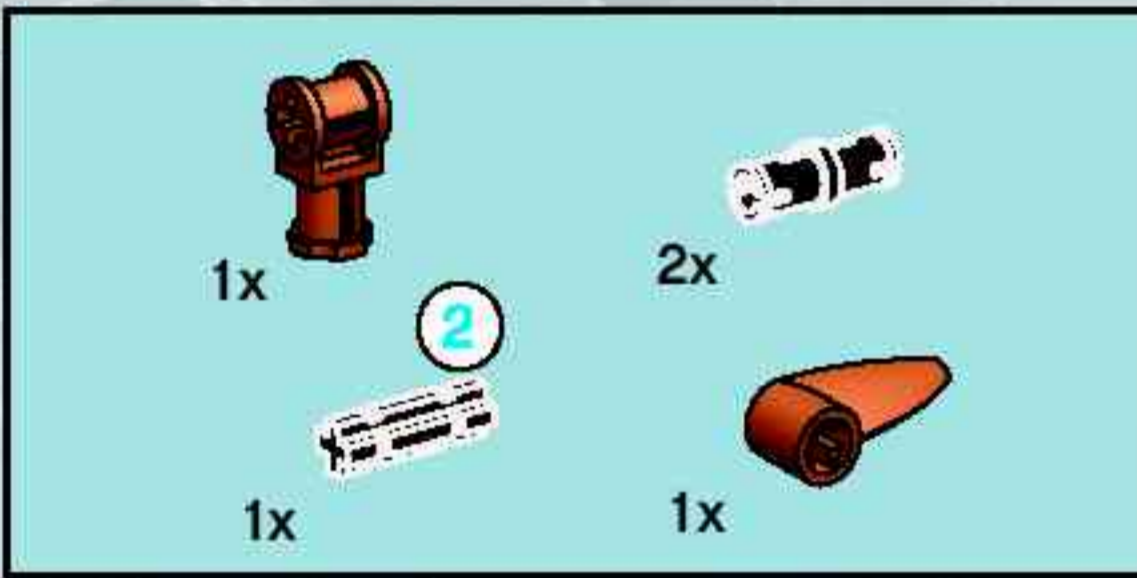
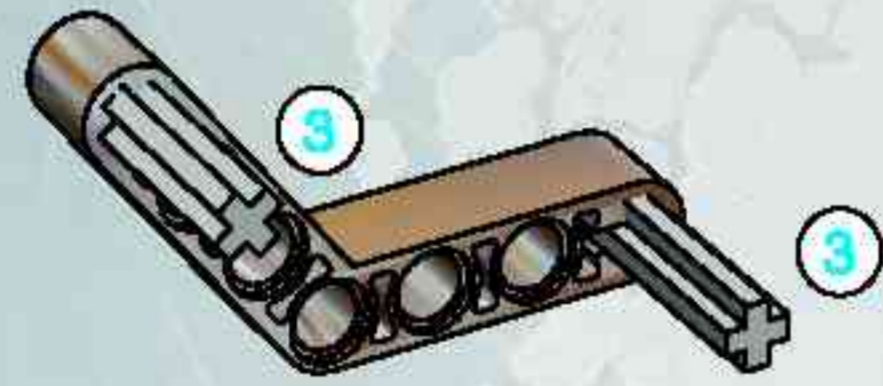


16

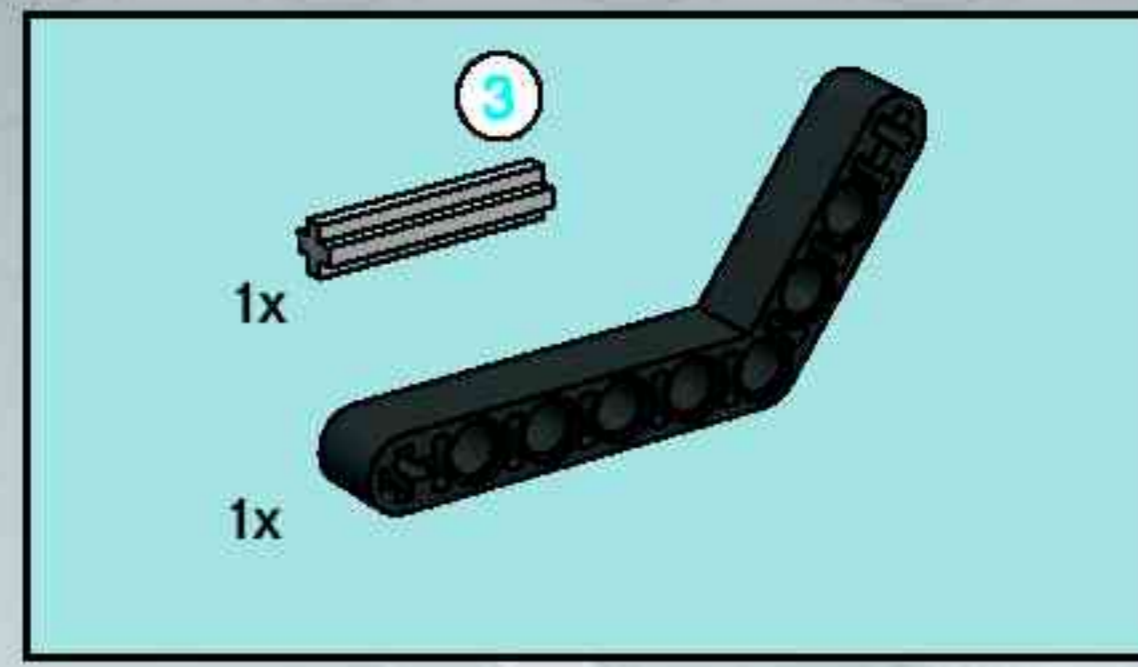
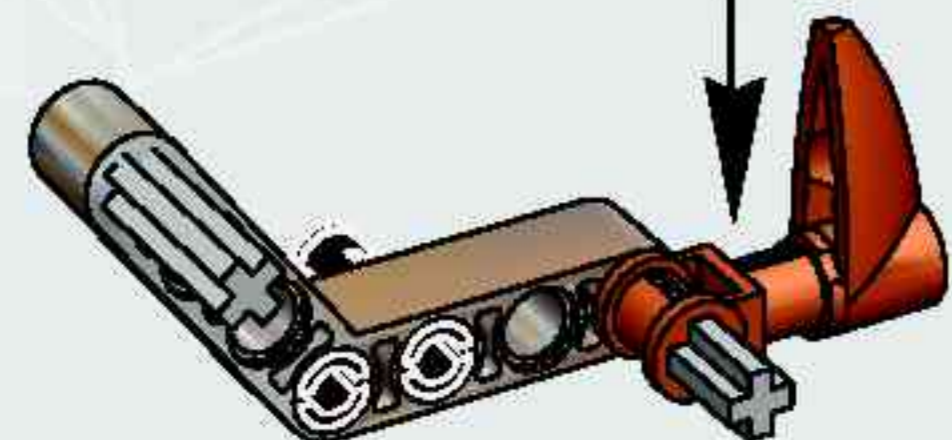
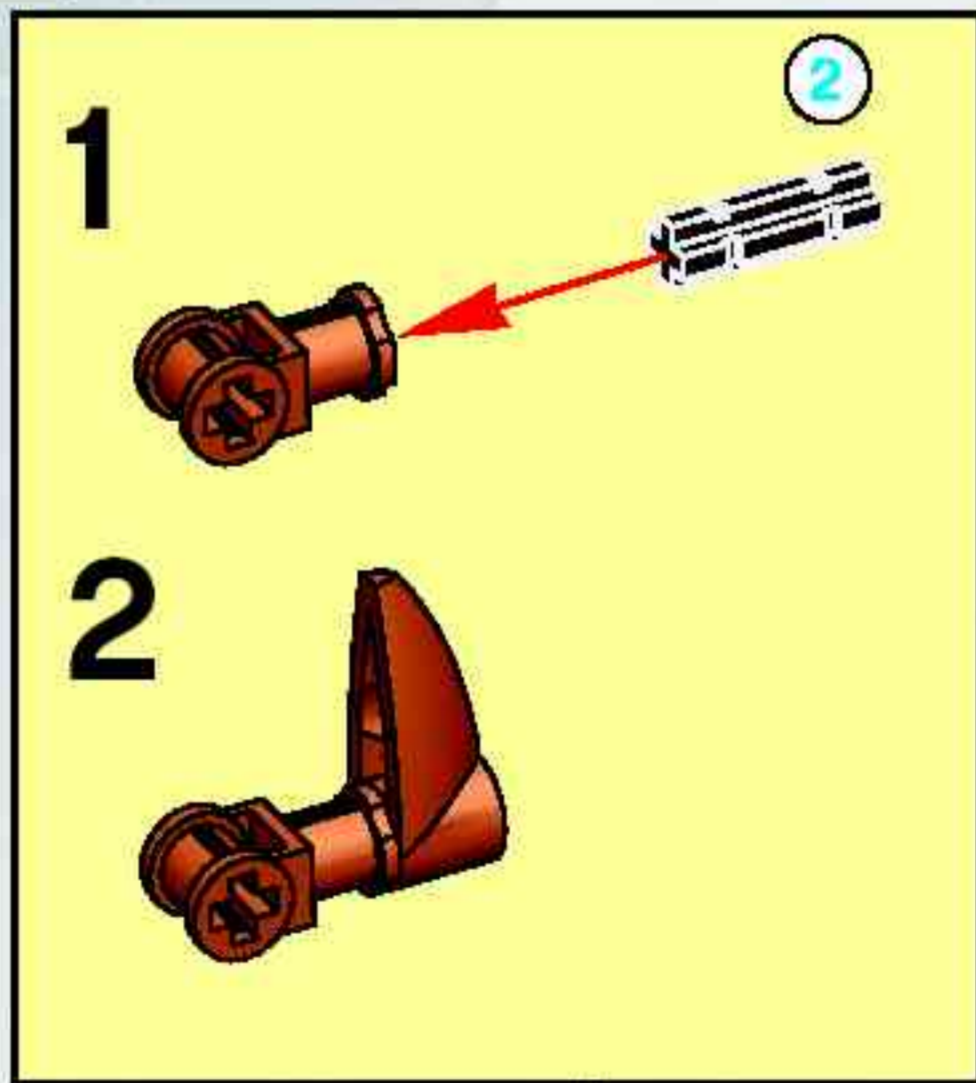




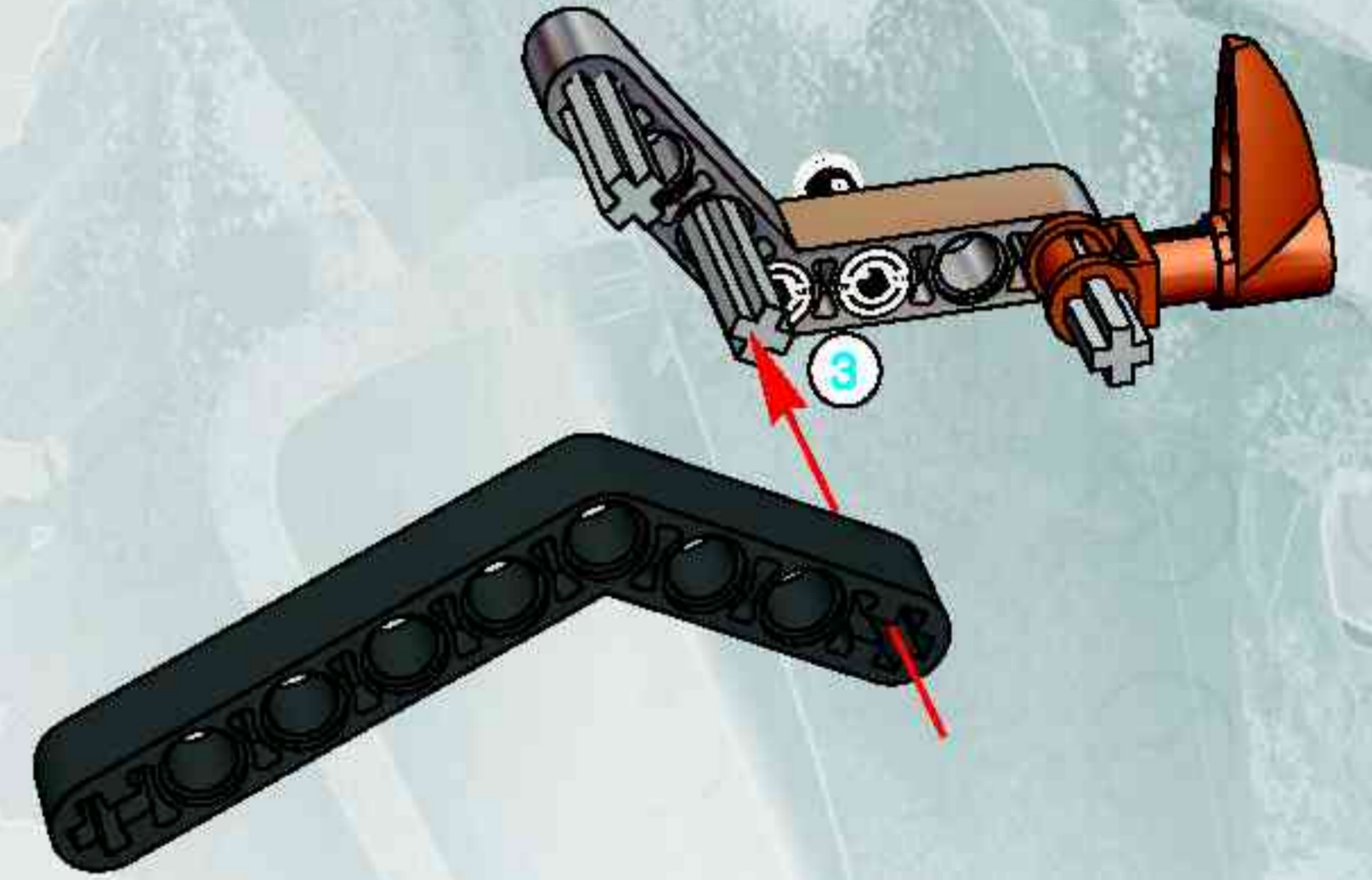
1



2

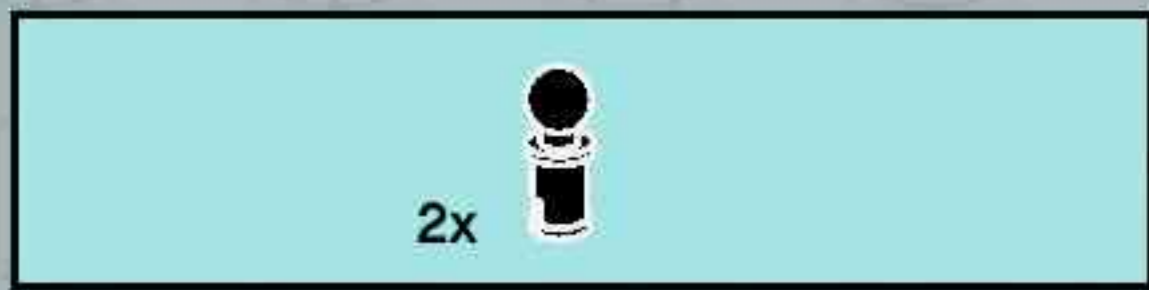


3

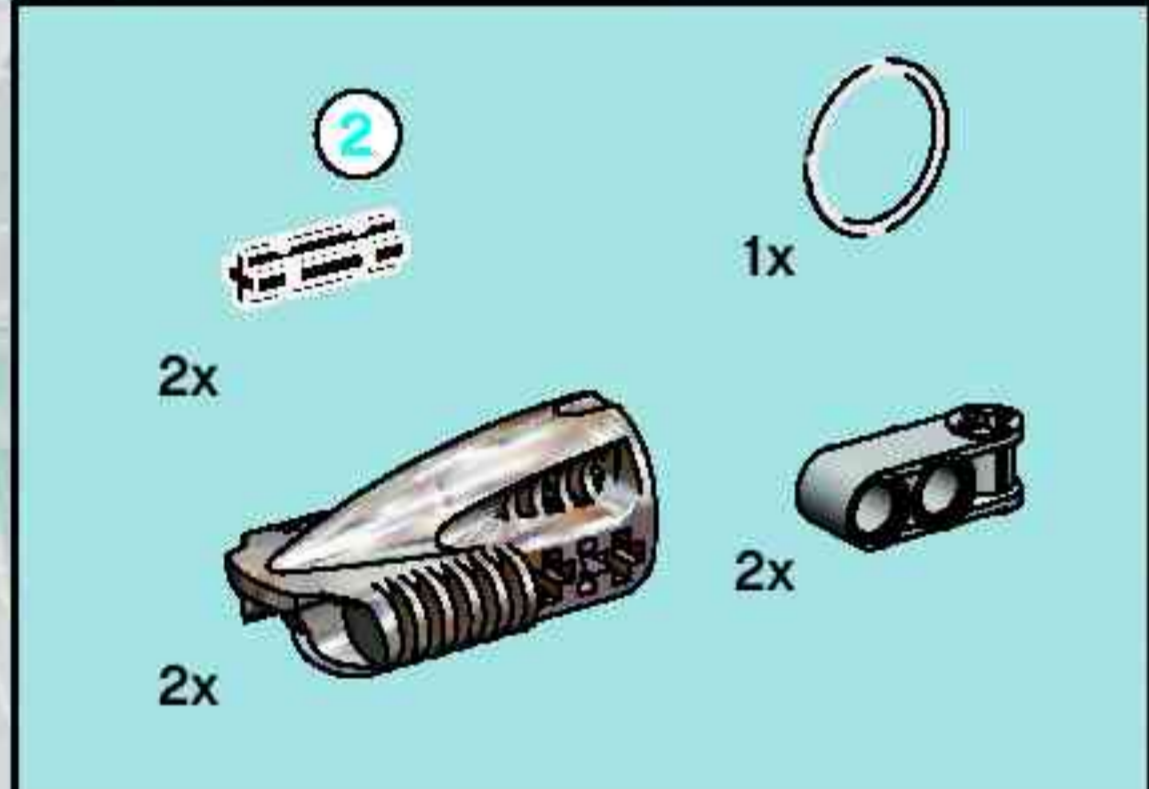
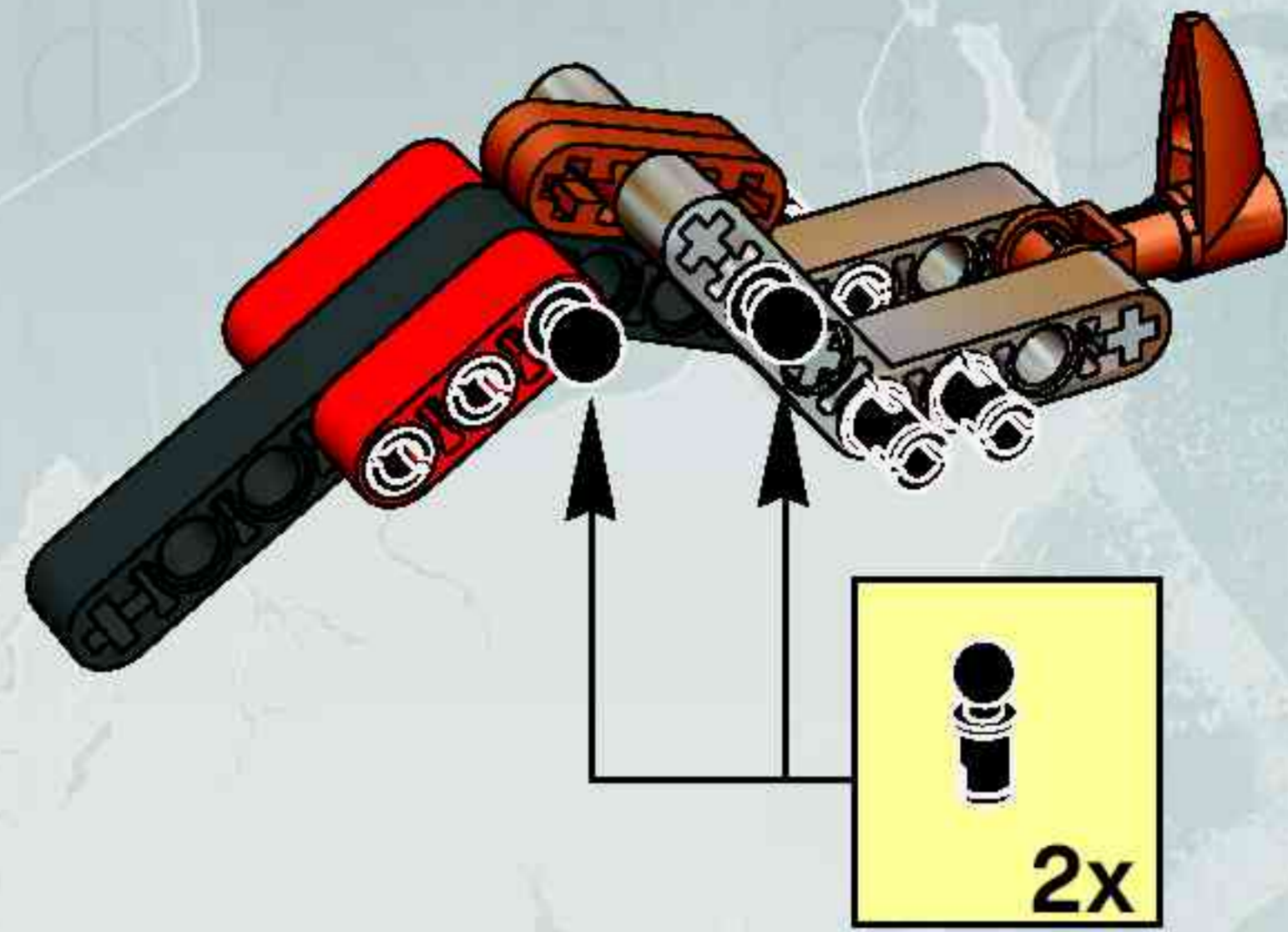


4

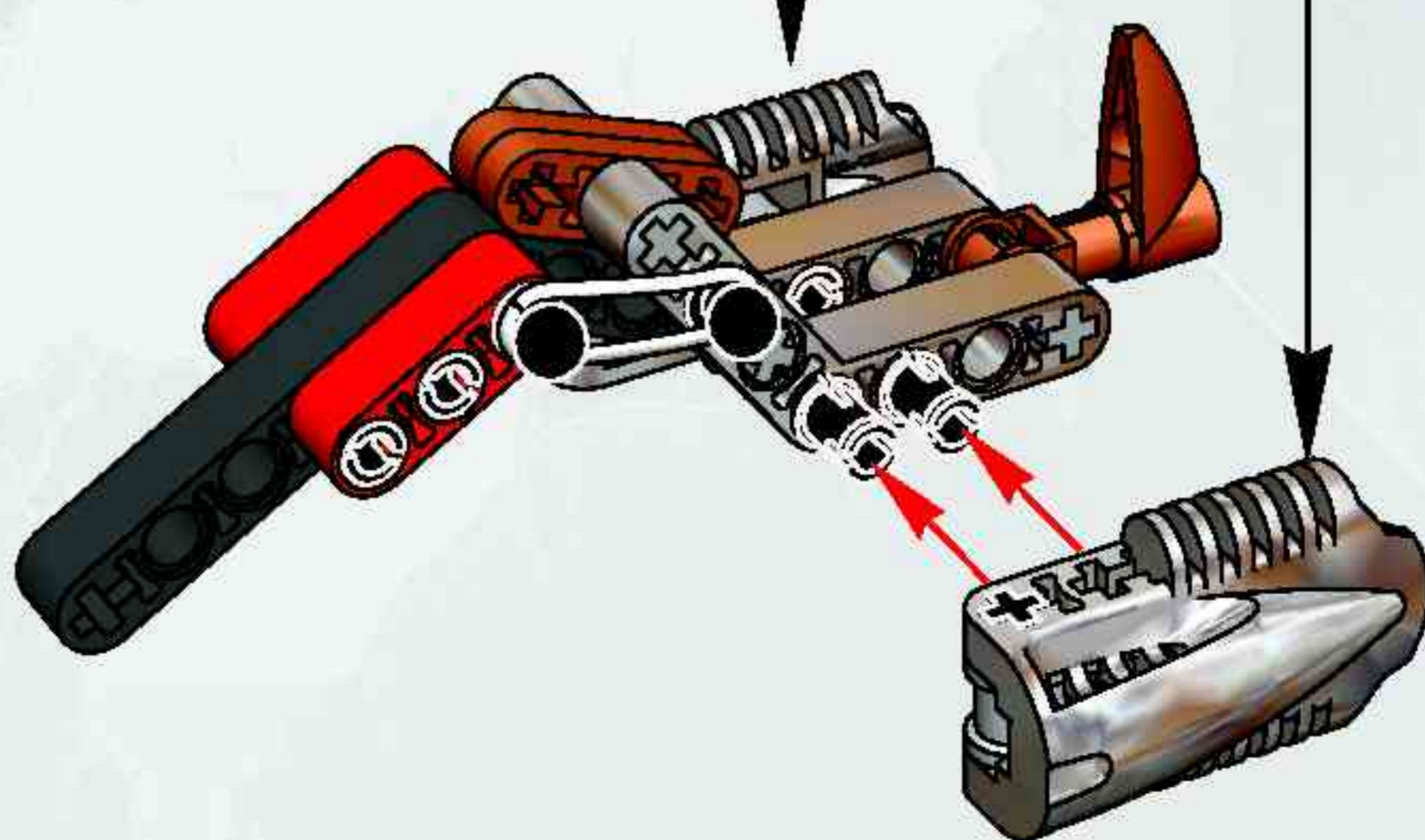
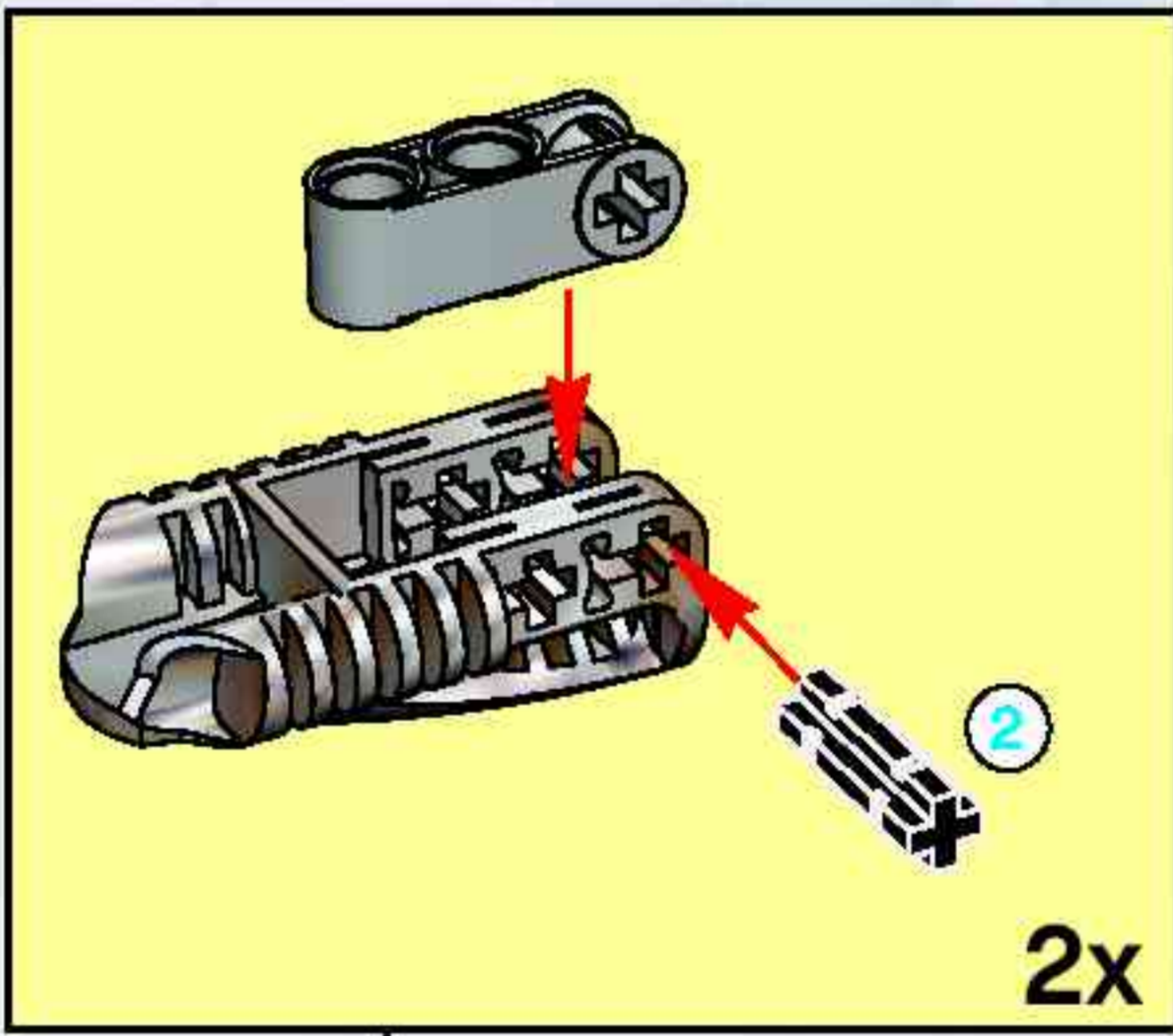




8



9





8595
Takua &
Pewku



8593
Makuta



8596
Takanuva





8587 Panrahk



8588 Kurahk



8589 Lerahk

RAHKS

8590 Guurahk



8591 Vorahk



8592 Turahk





KRAATA



www.bionicle.com



BIONICLE™

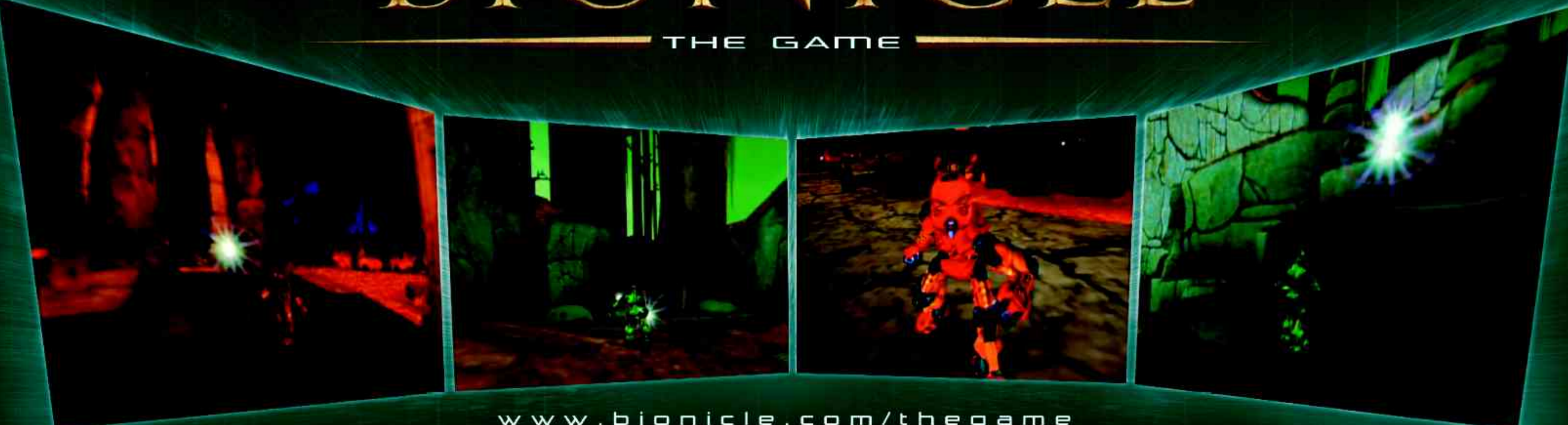
THE MOVIE

MASK OF LIGHT

www.maskoflight.com

BIONICLE™

THE GAME



www.bionicle.com/thegame

PlayStation 2

NINTENDO GAMECUBE™

XBOX

PC CD-ROM

Maximize your experience with
pentium 4

GAME BOY ADVANCE

