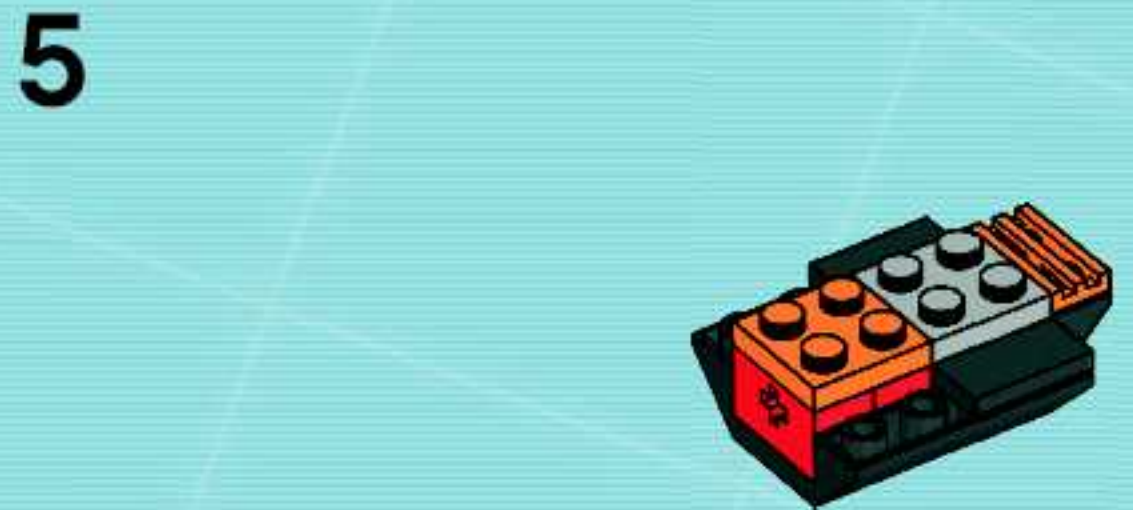
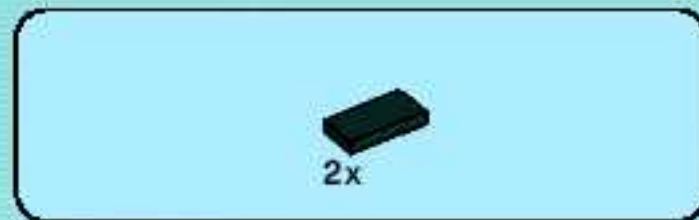
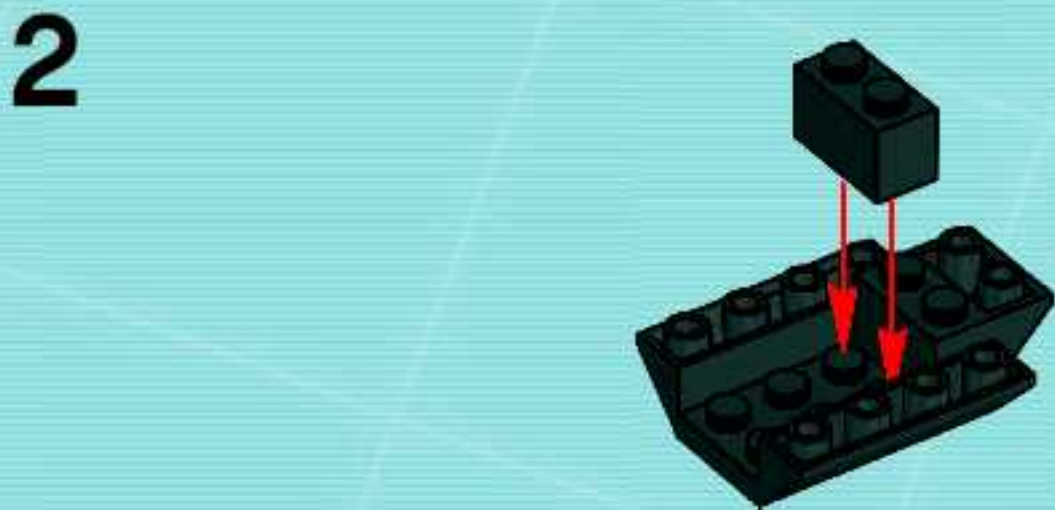
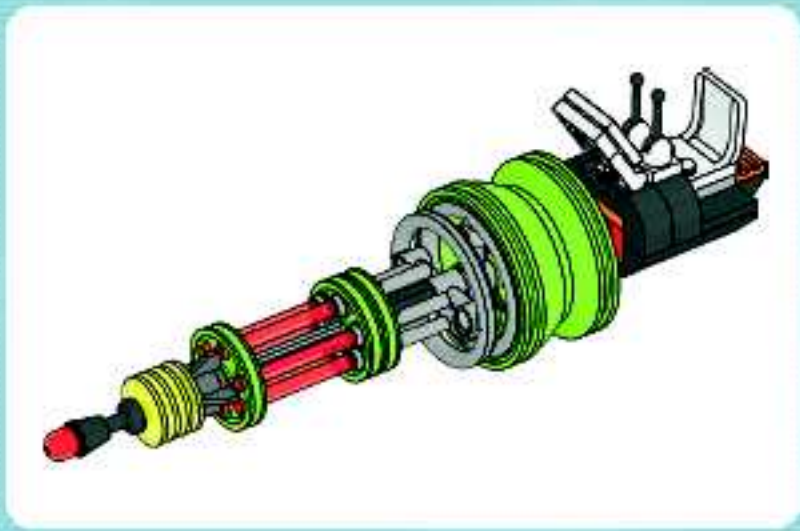


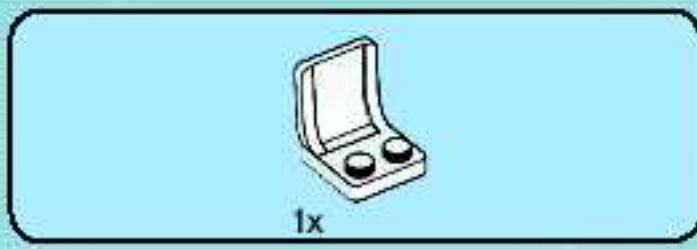


AGENTS

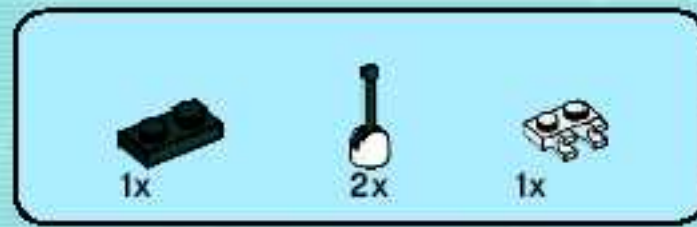
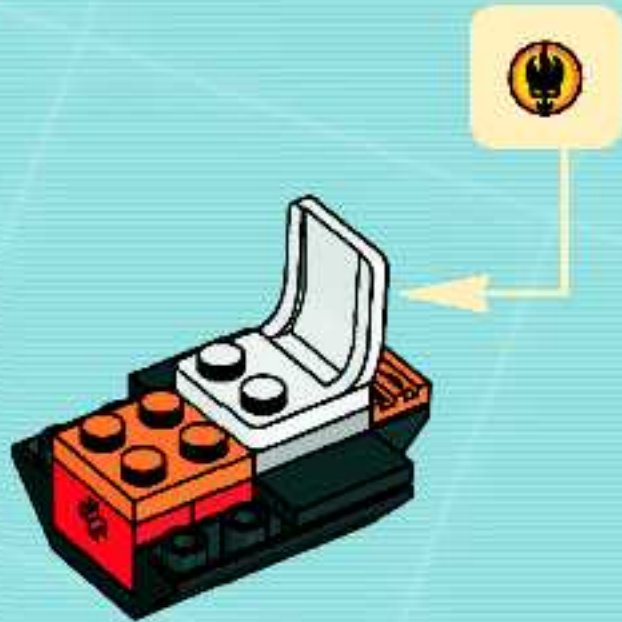
8637



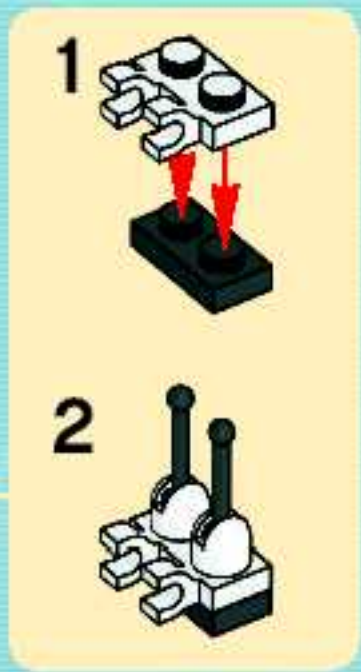




6



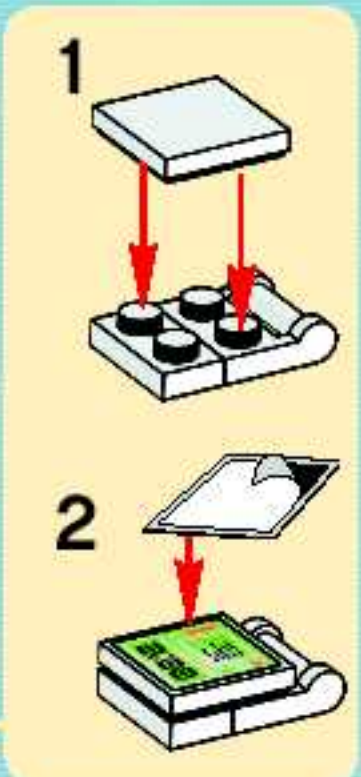
8

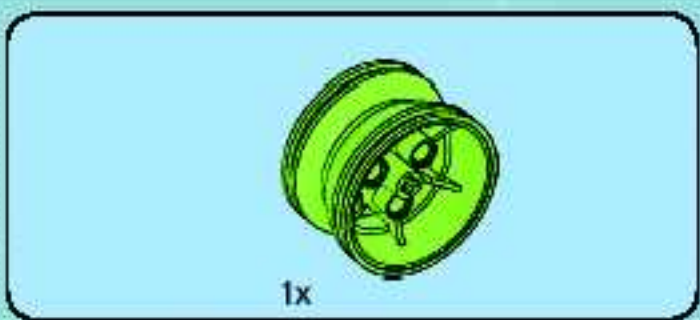
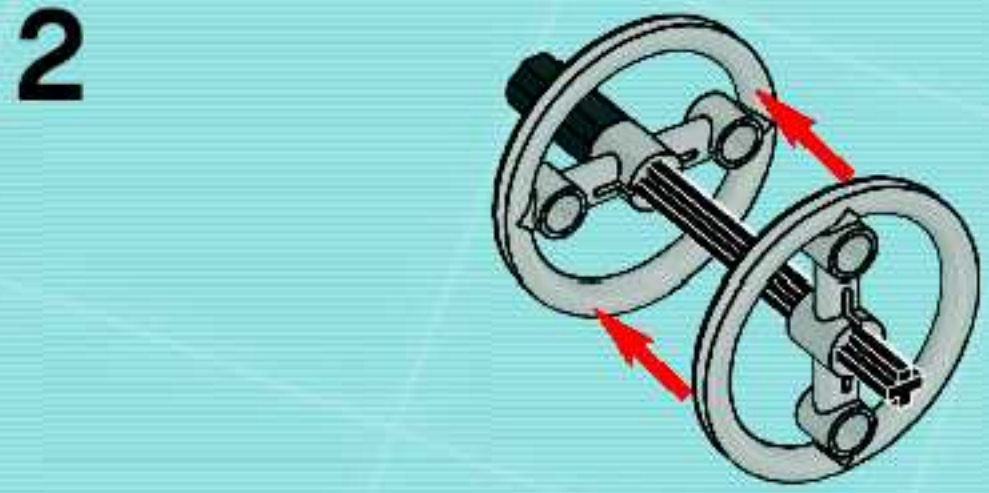
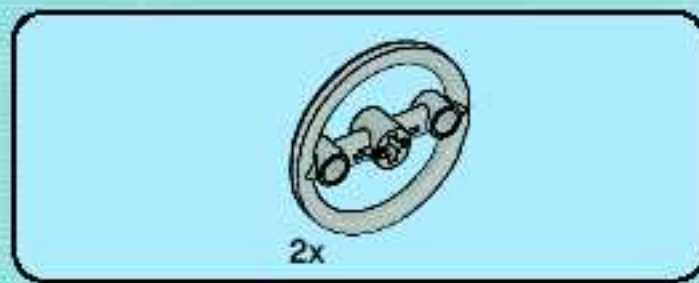
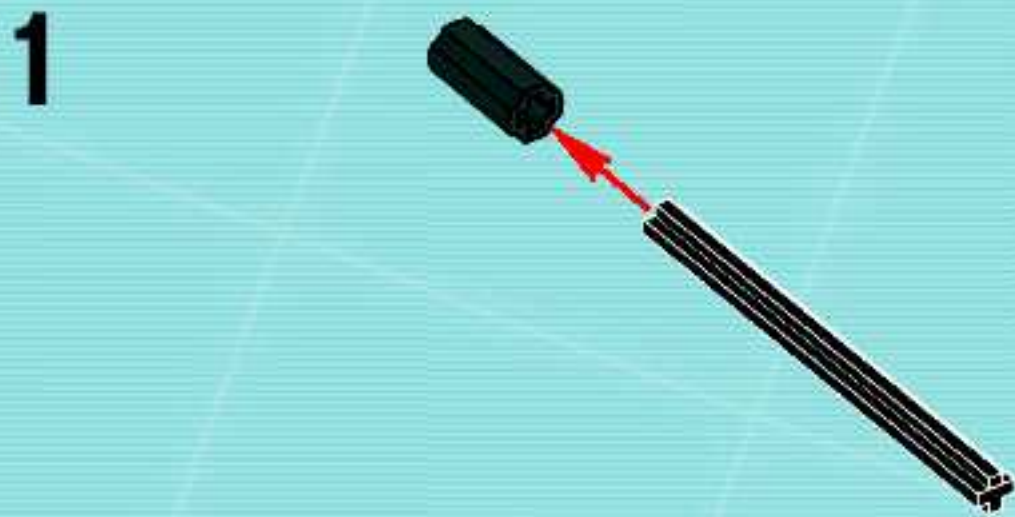
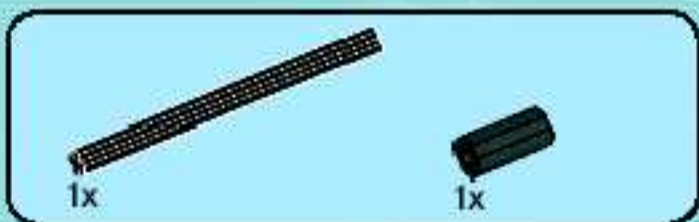
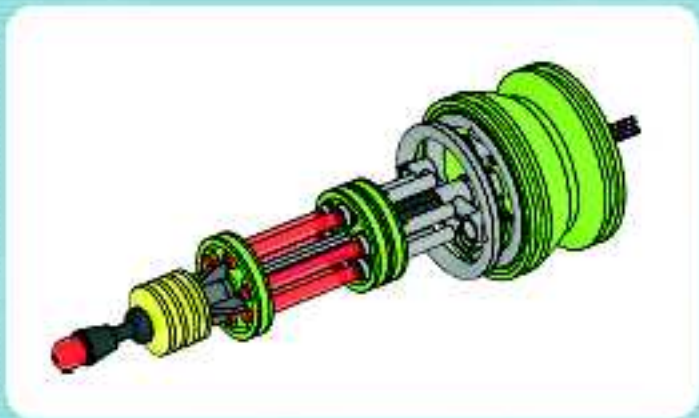


7



9



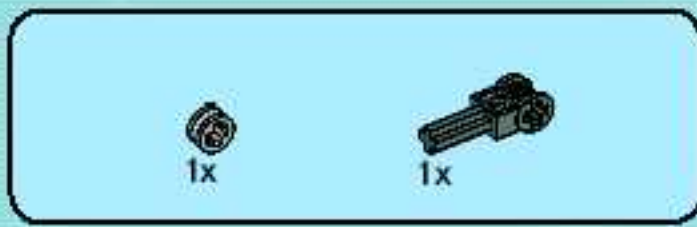


3



4

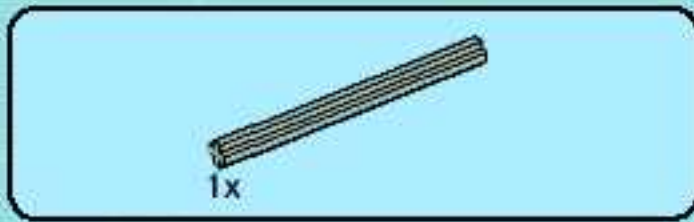
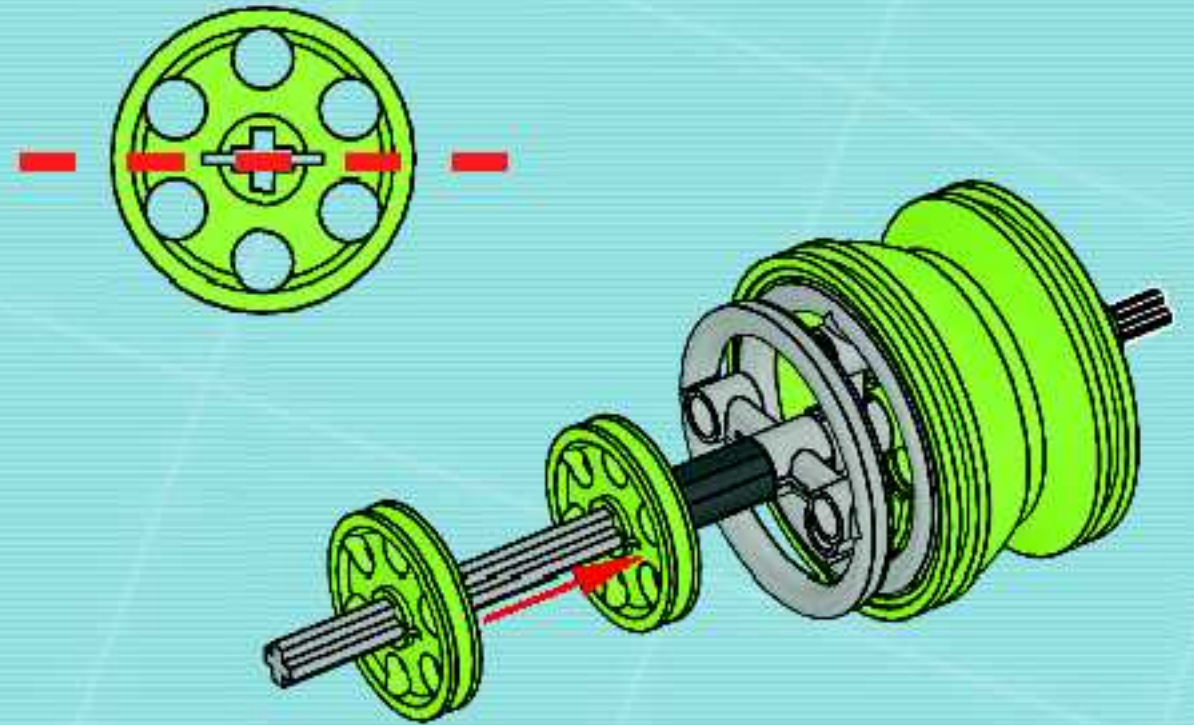




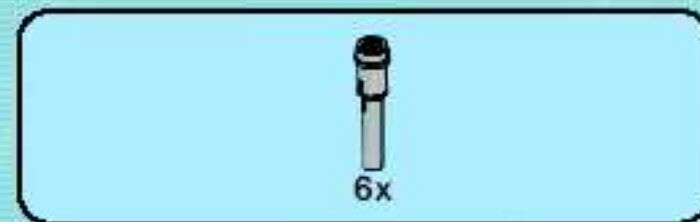
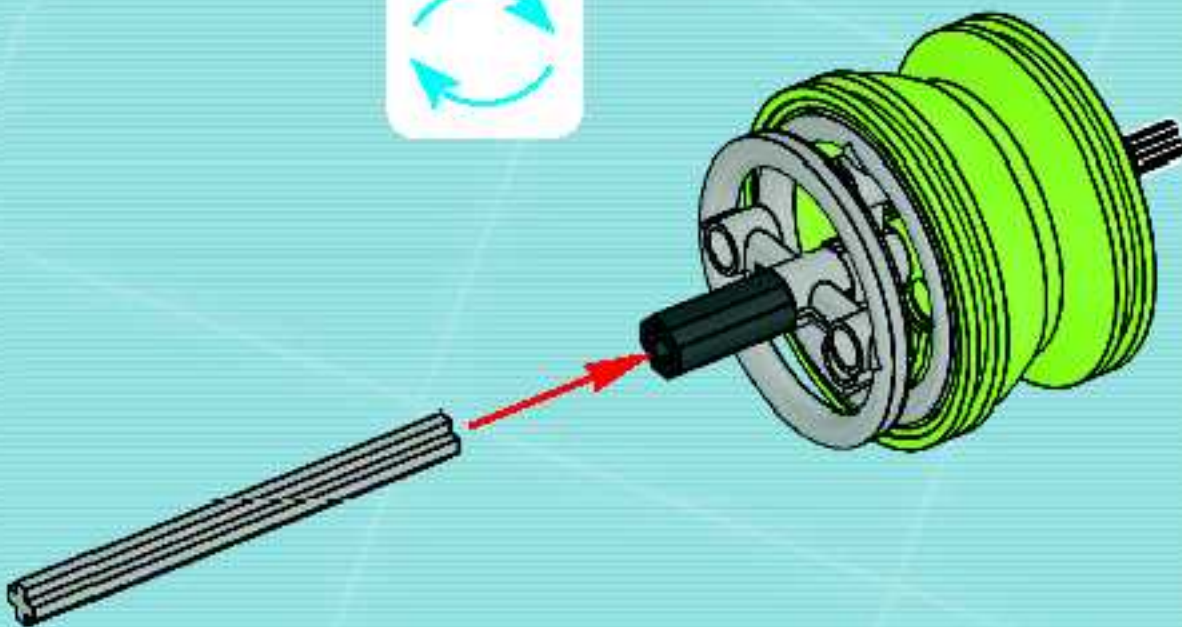
5



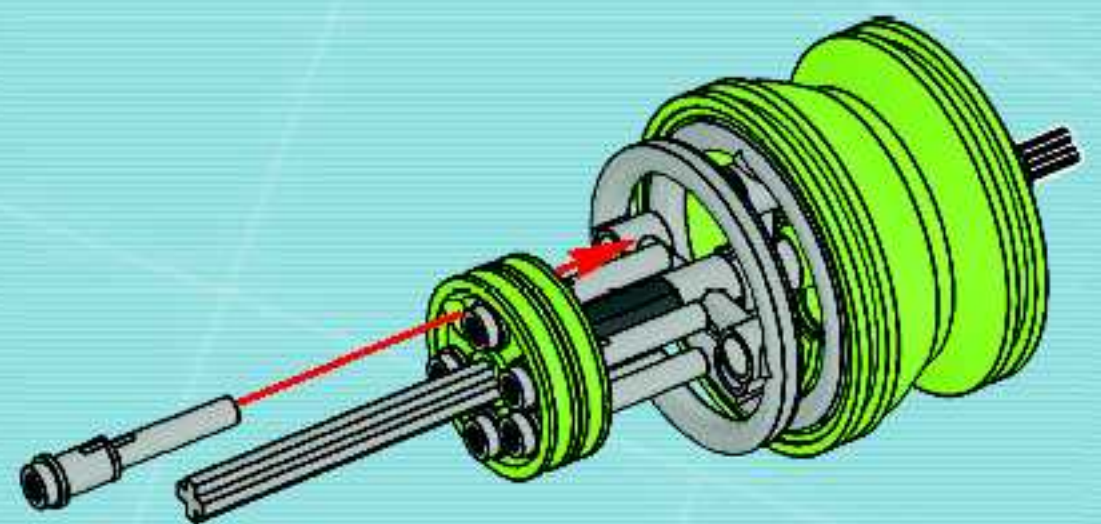
7

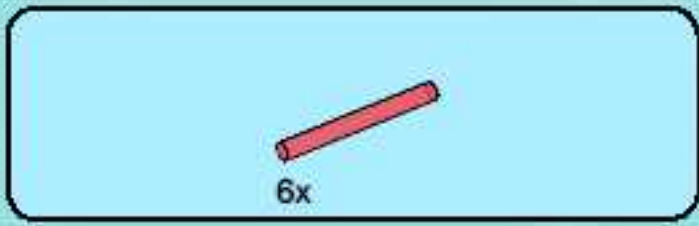


6

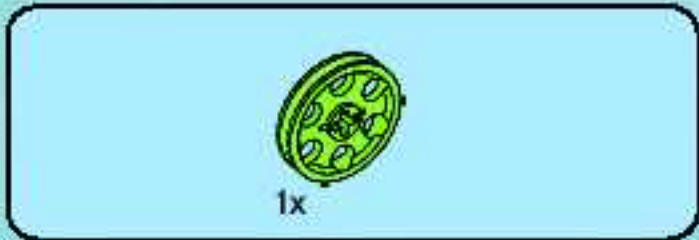
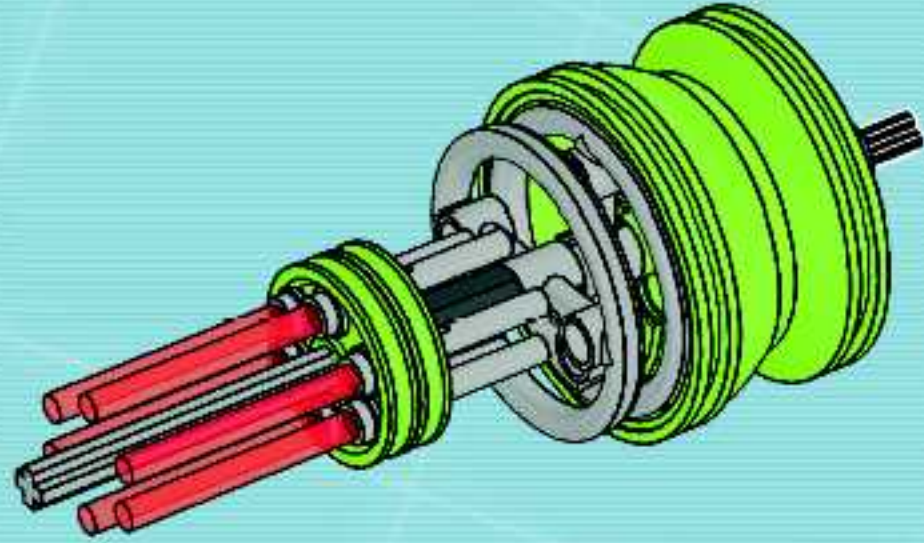


8

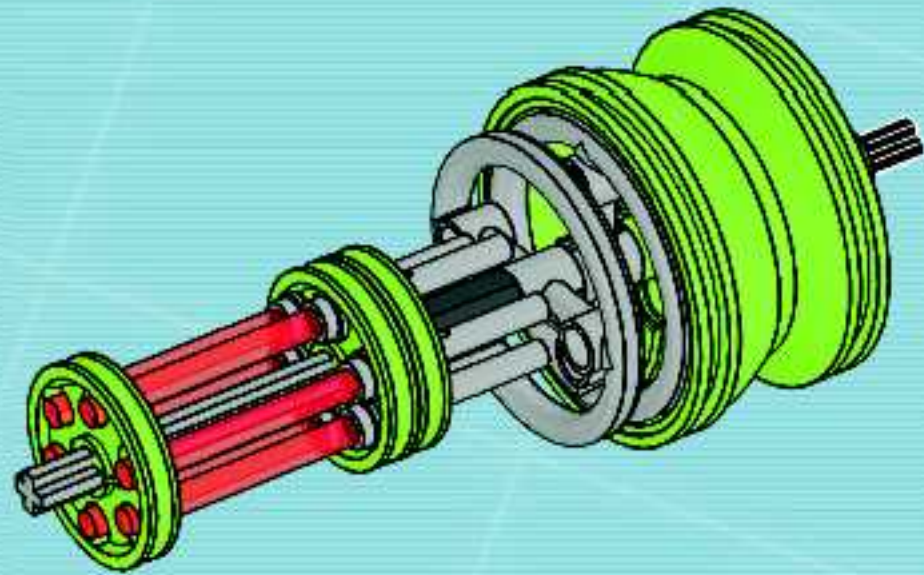
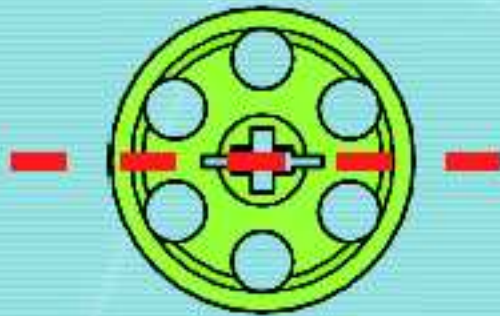




9

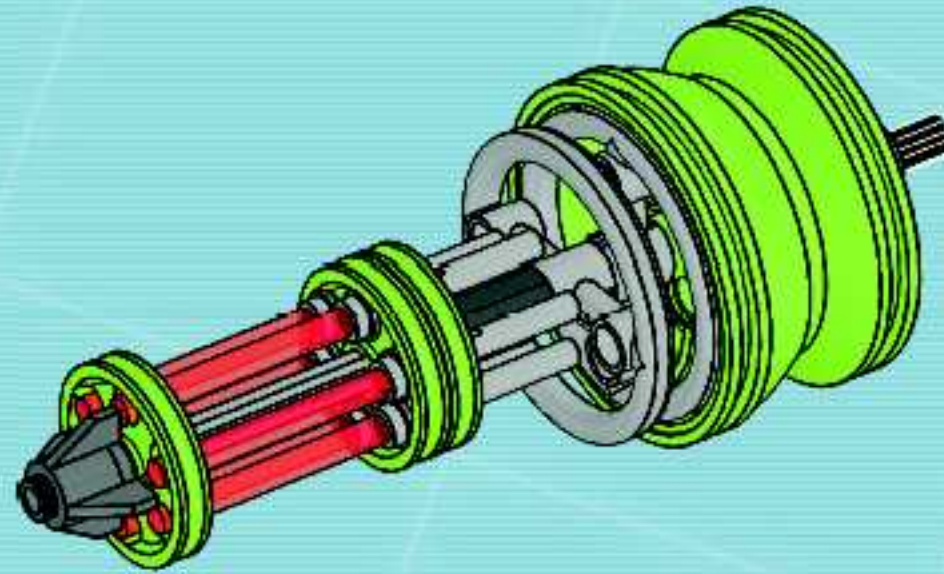


10

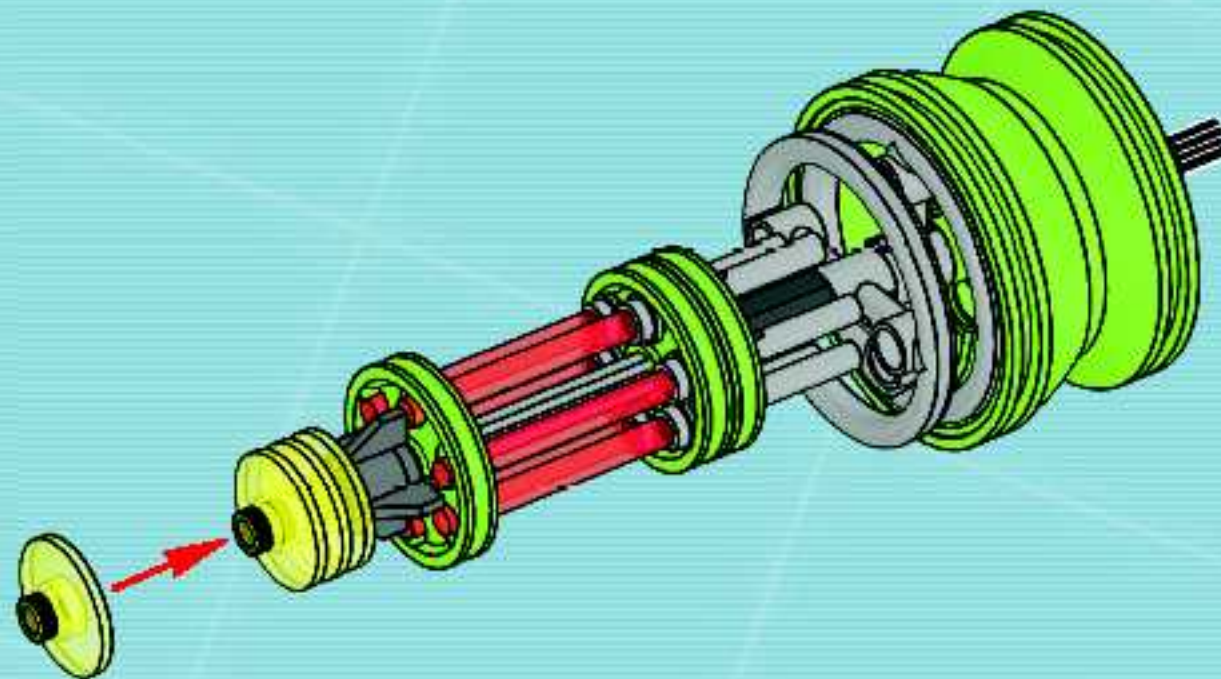




11

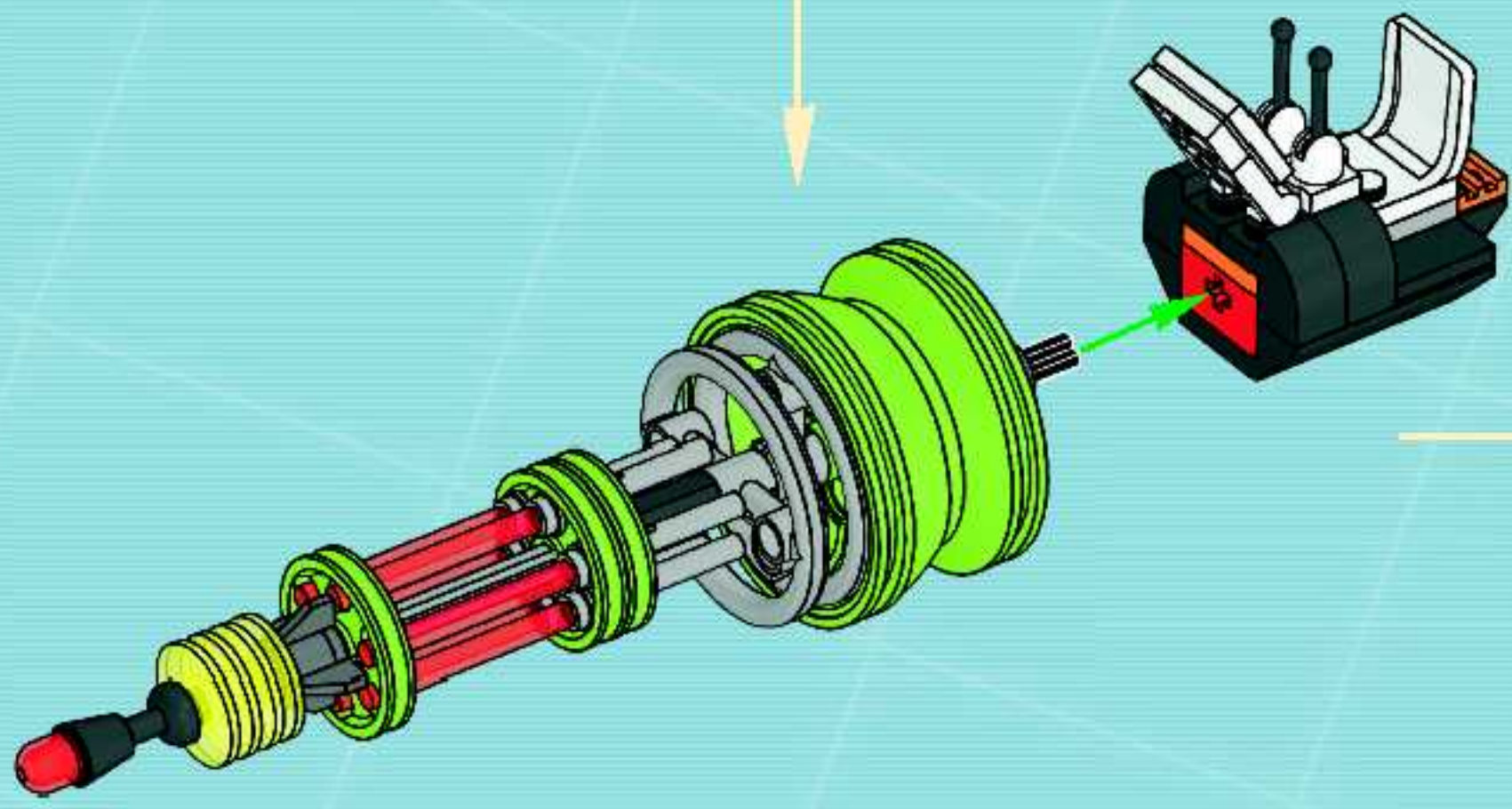
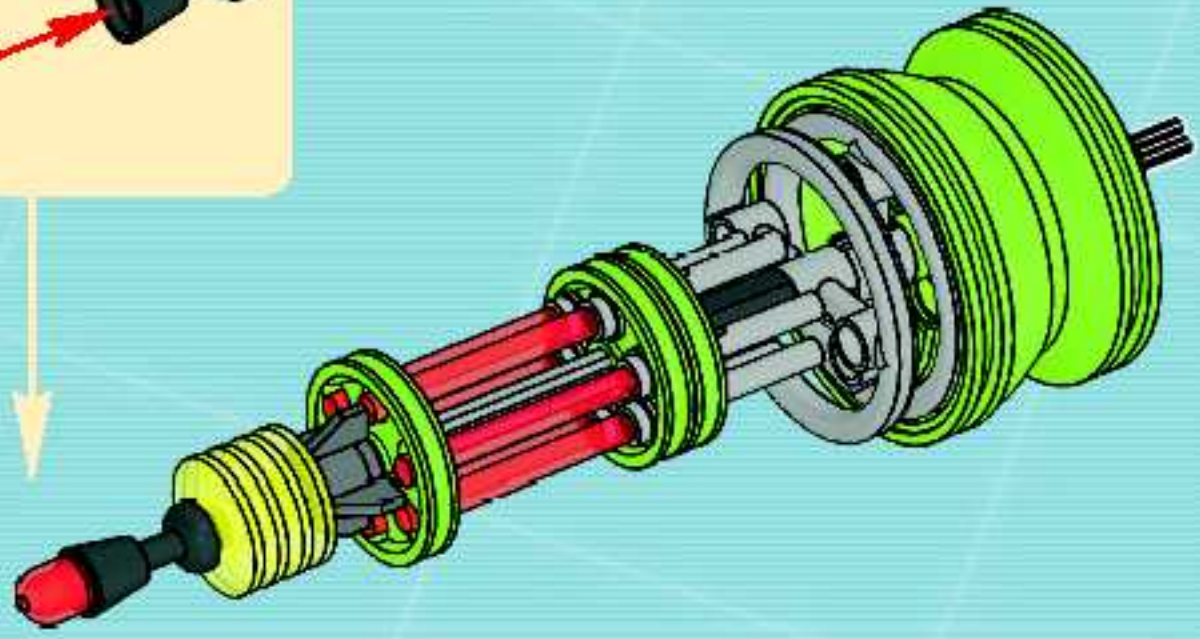
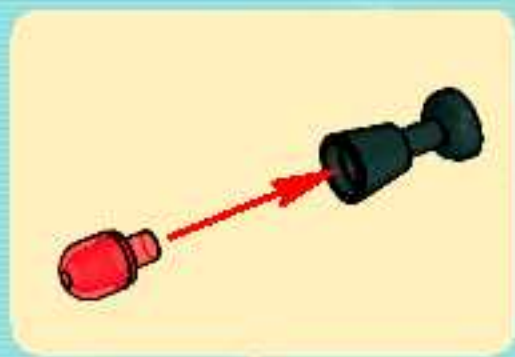


12

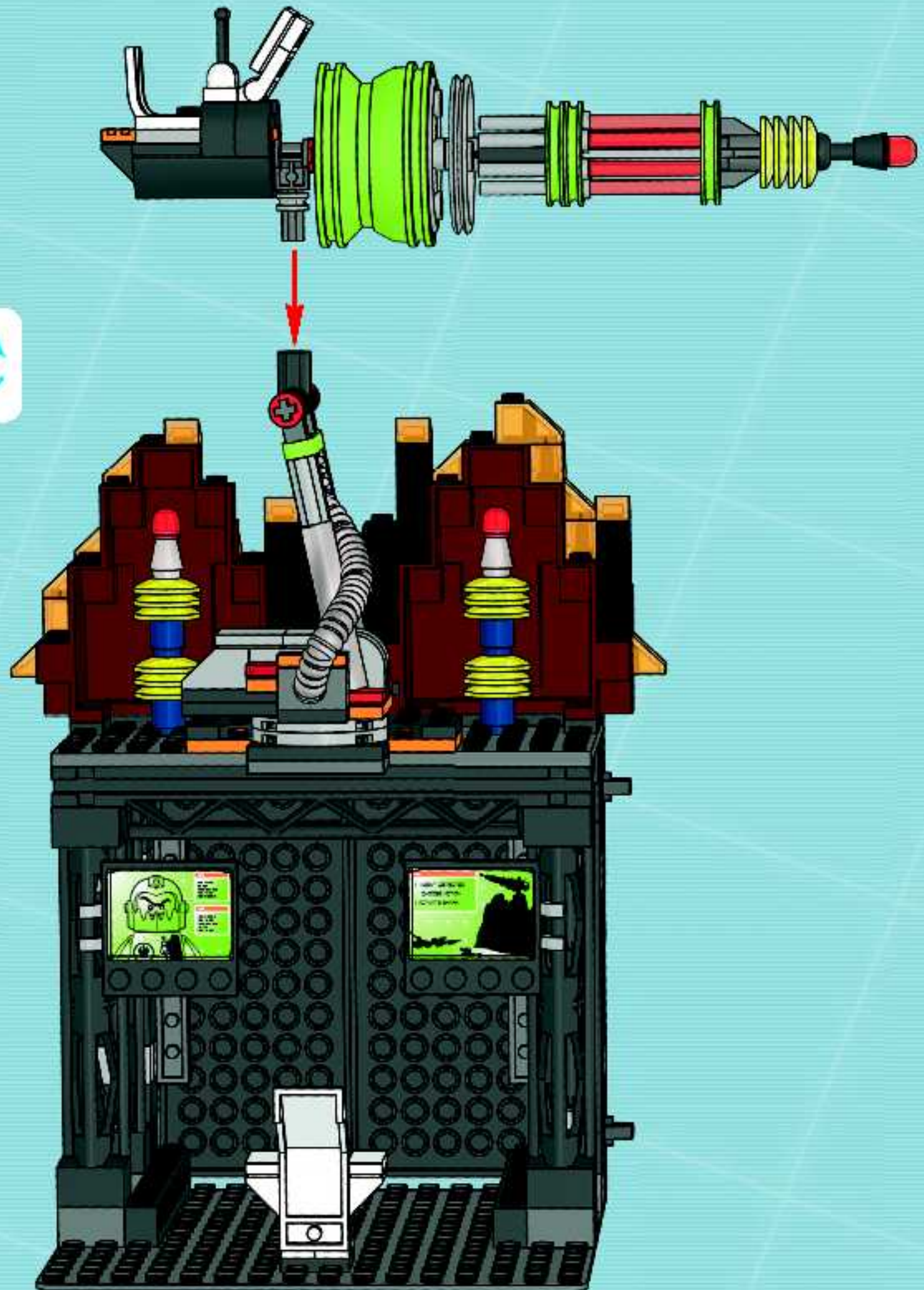


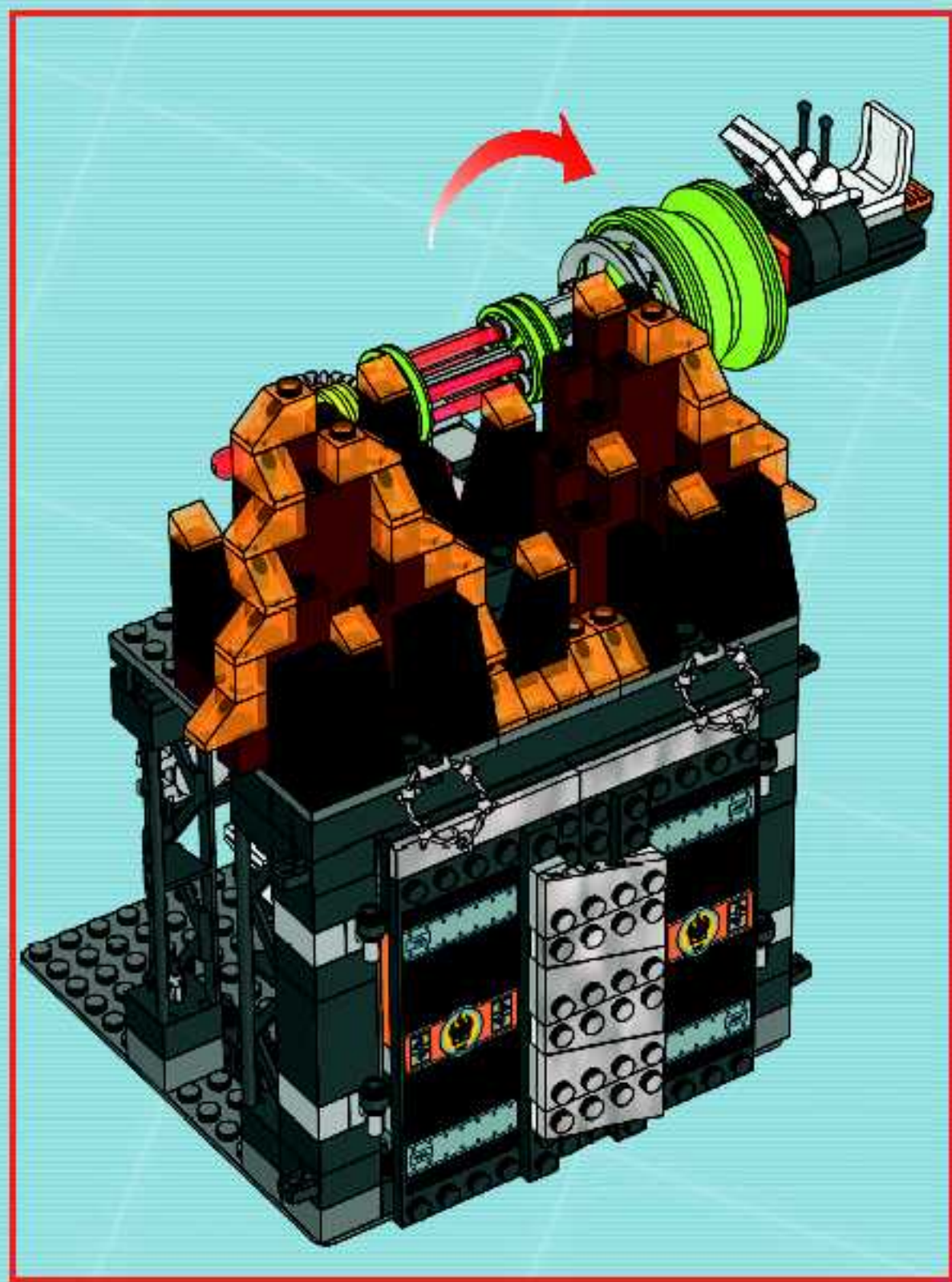
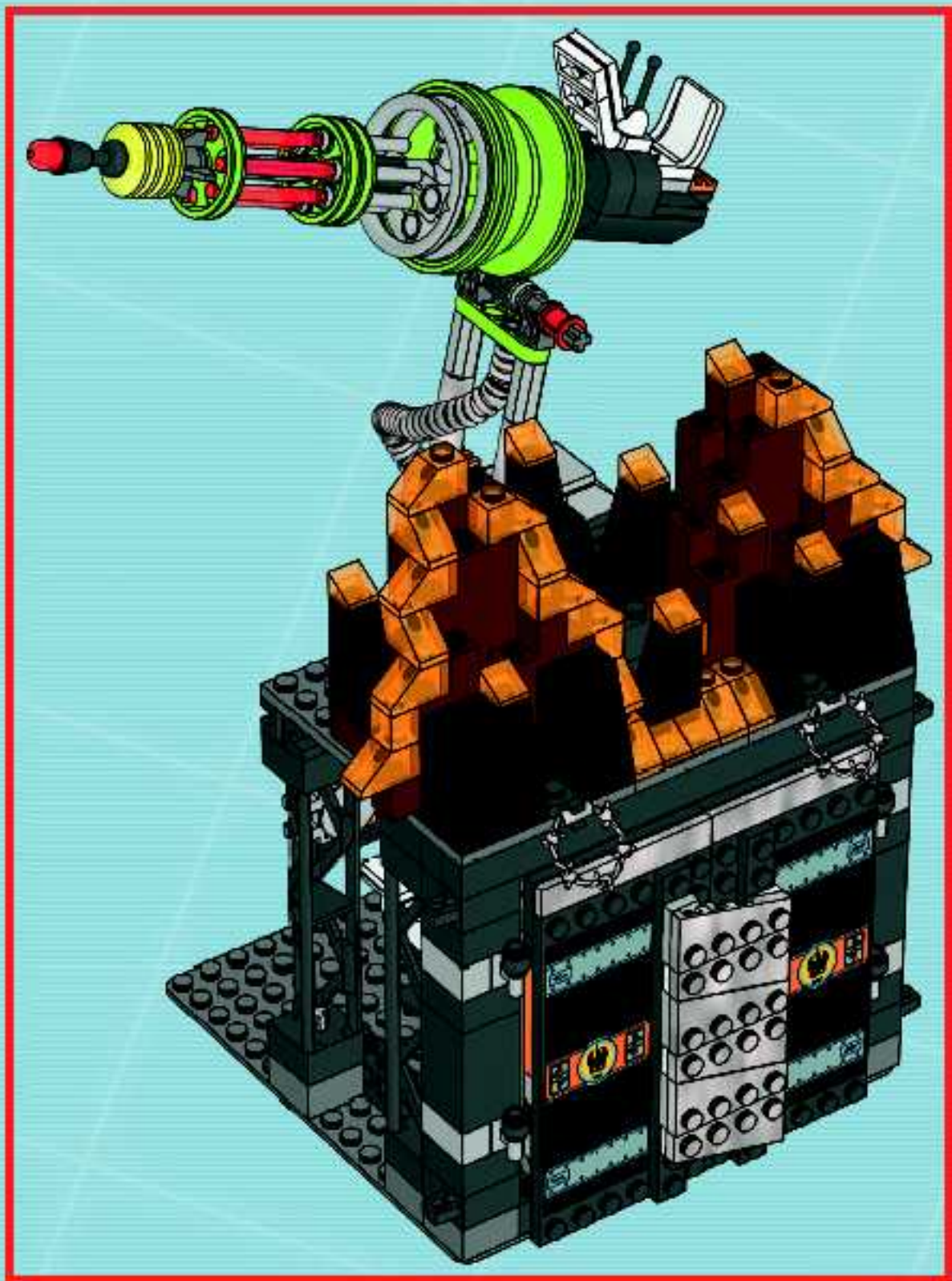


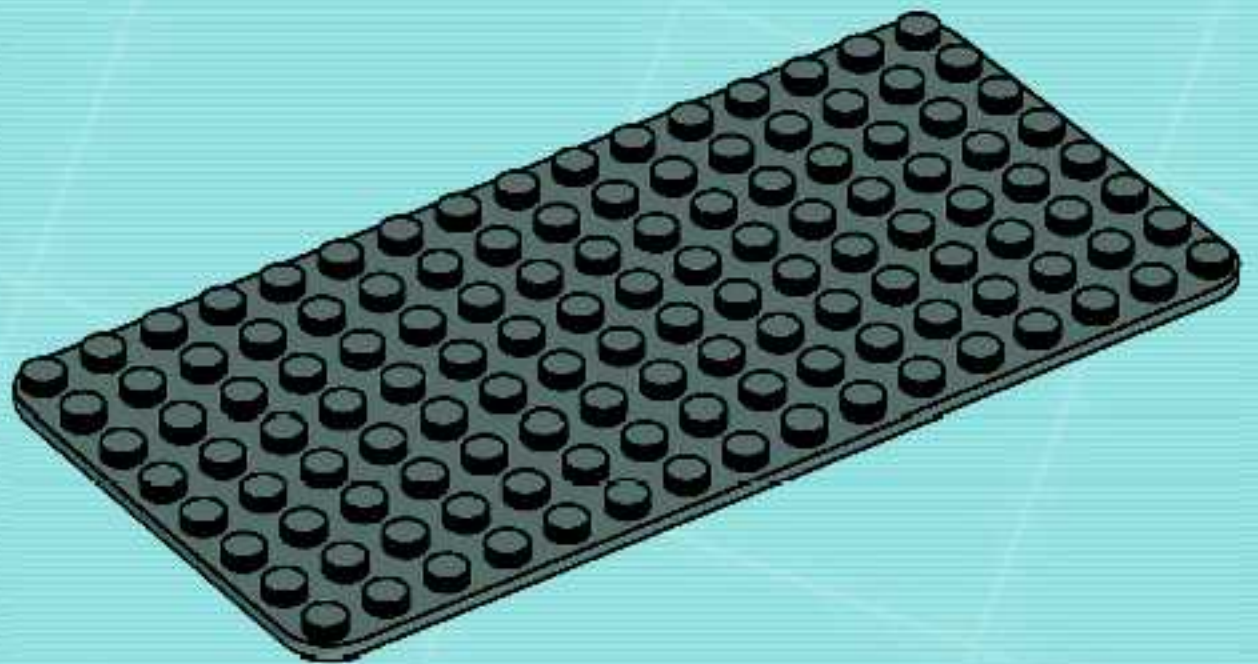
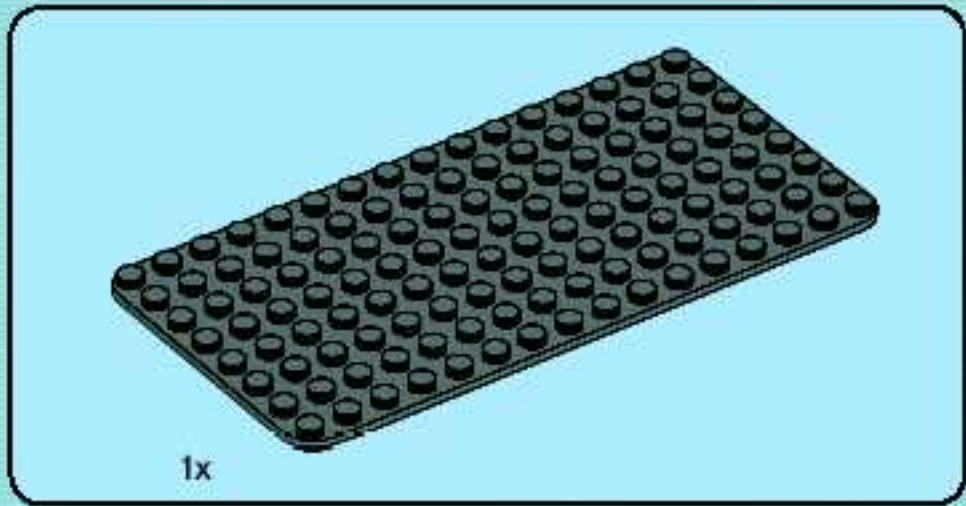
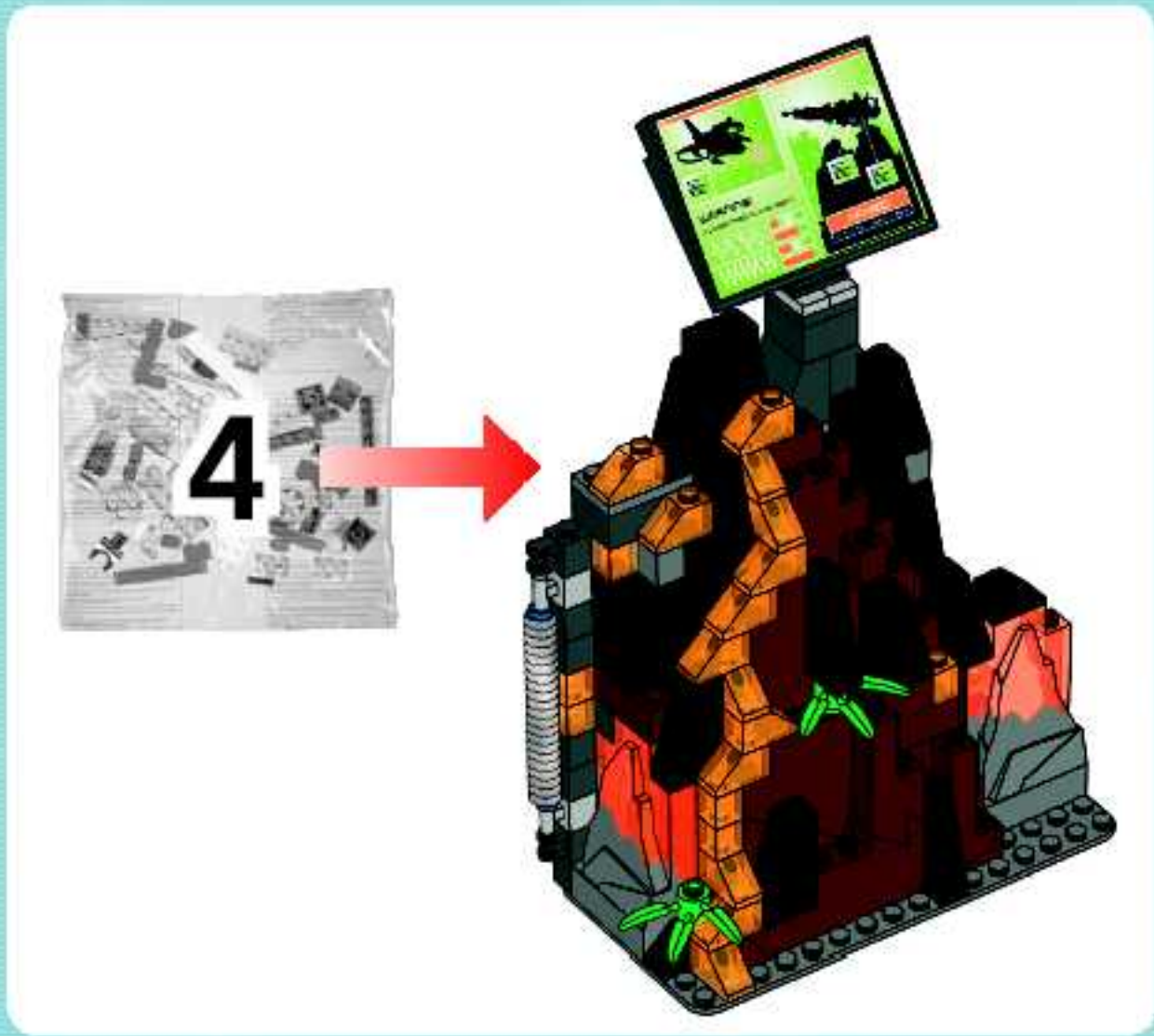
13

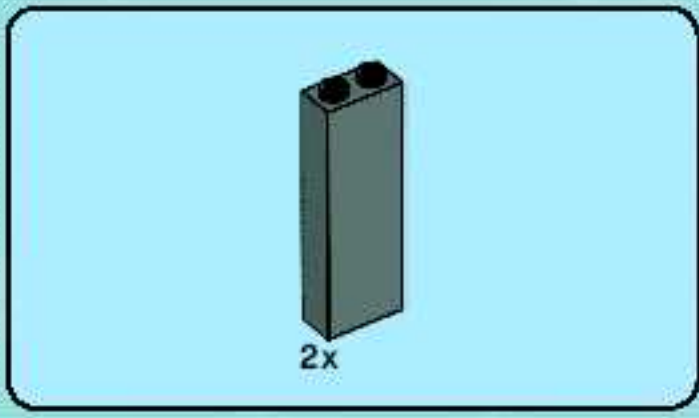


31

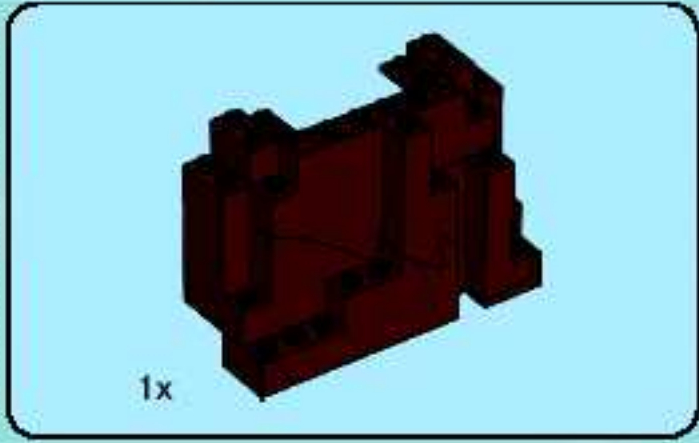
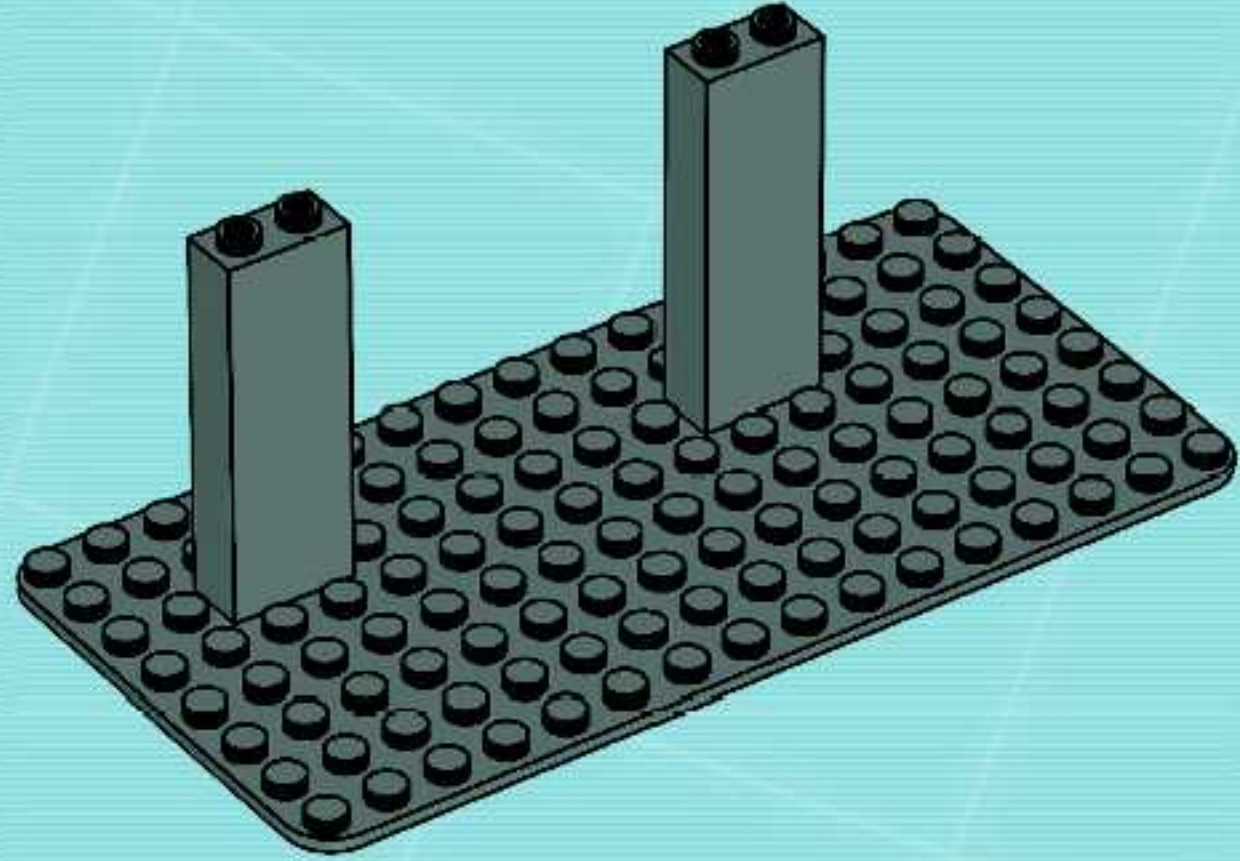




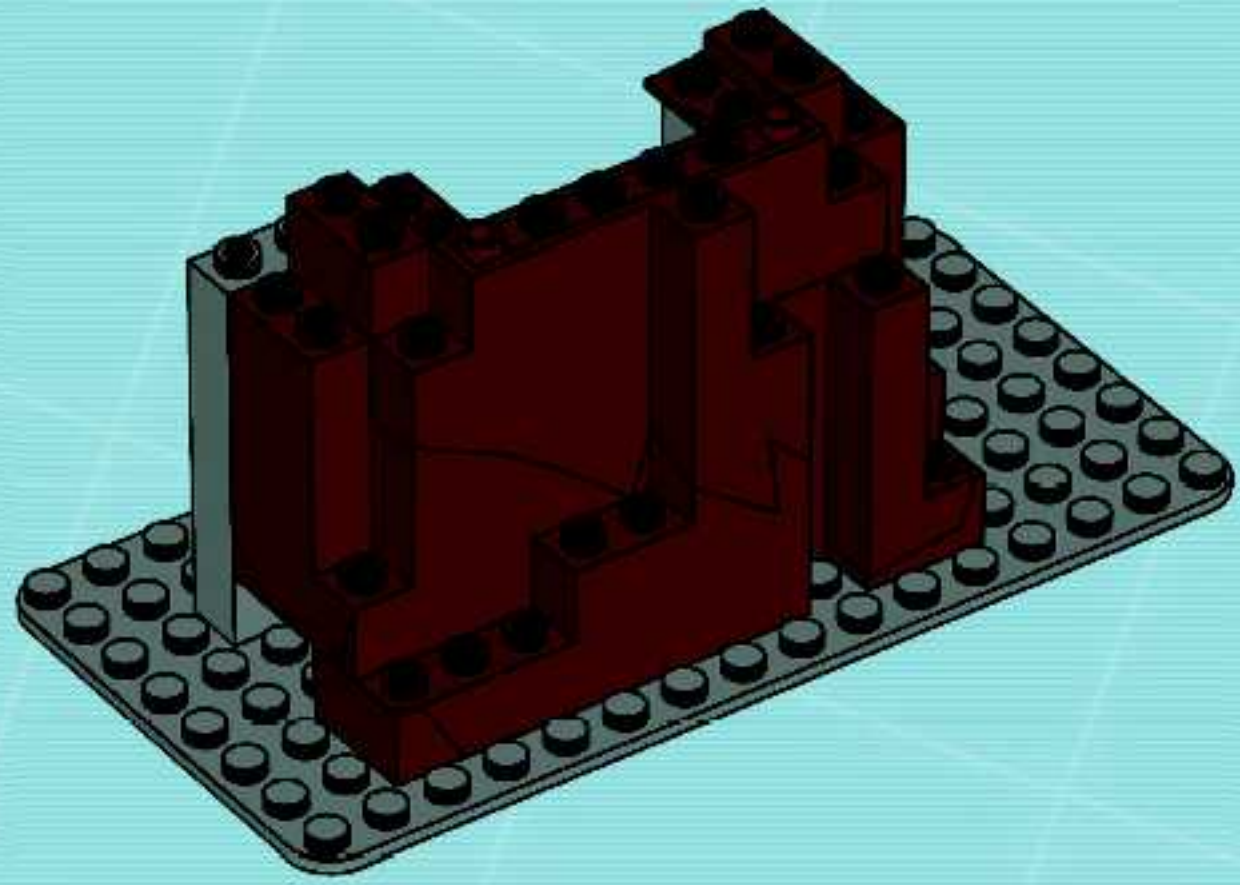


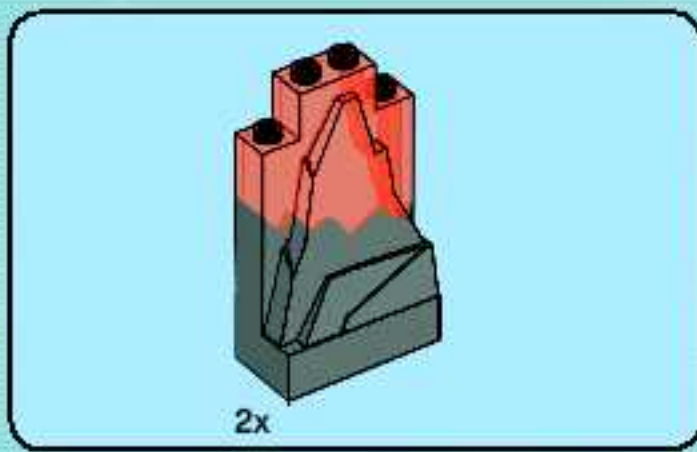


2

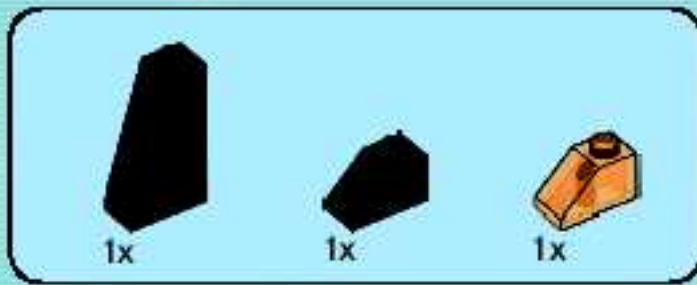
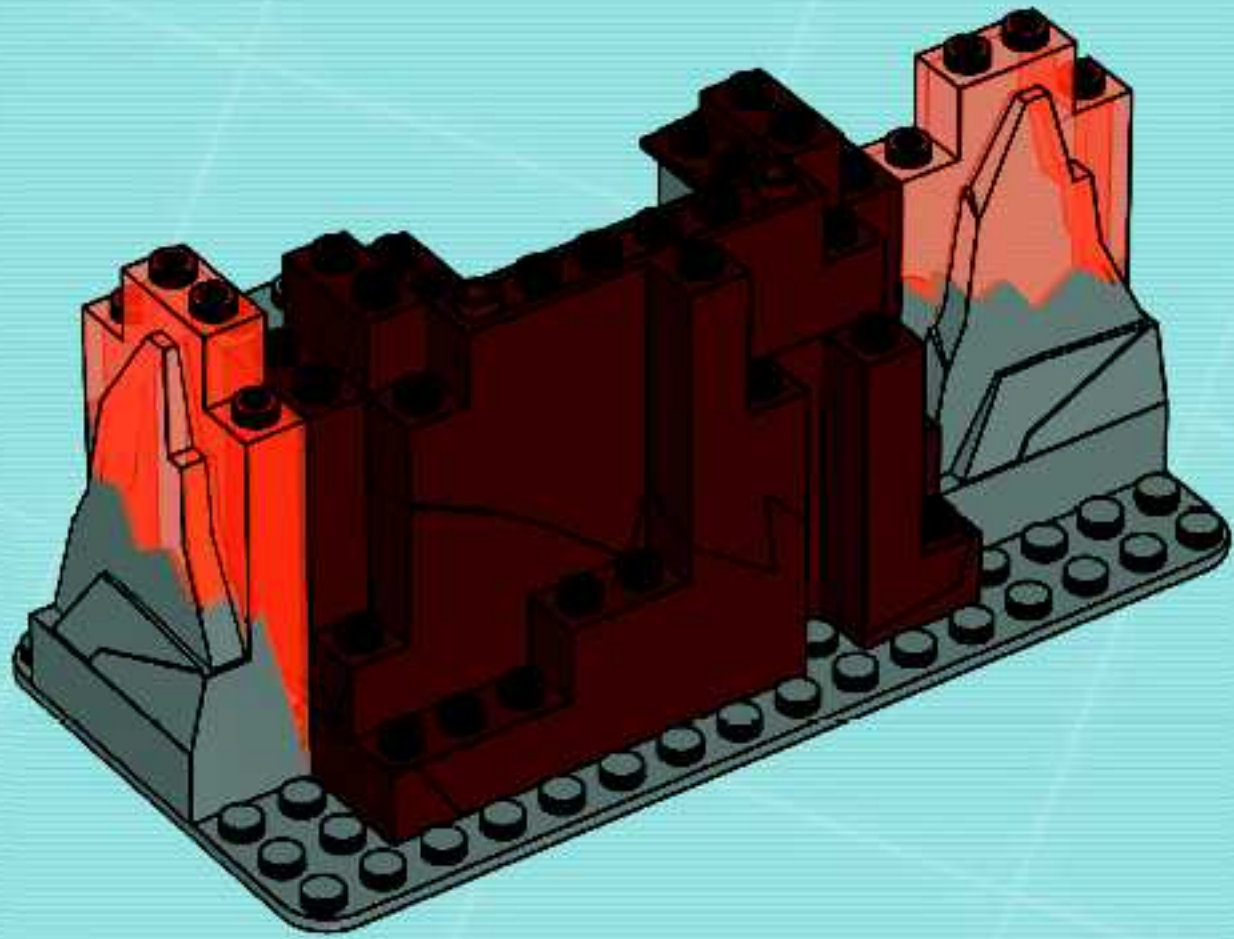


3

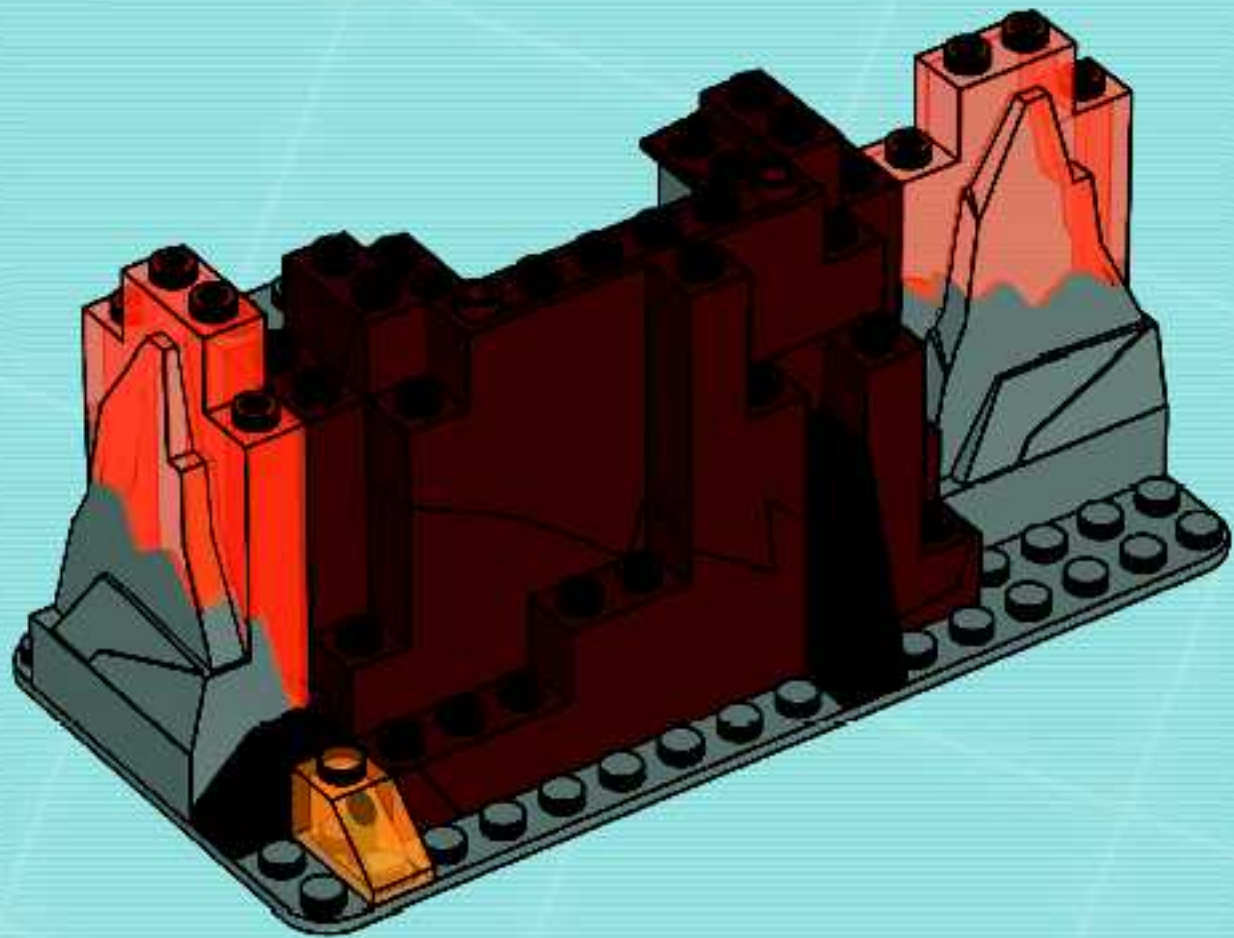


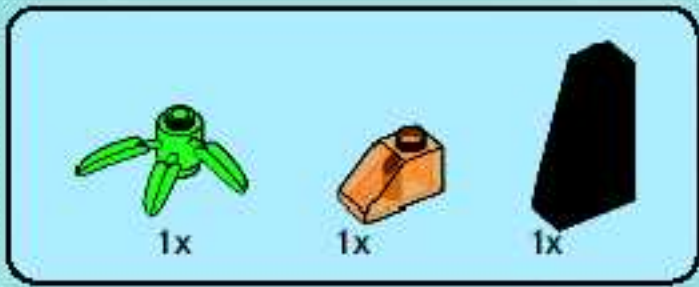


4

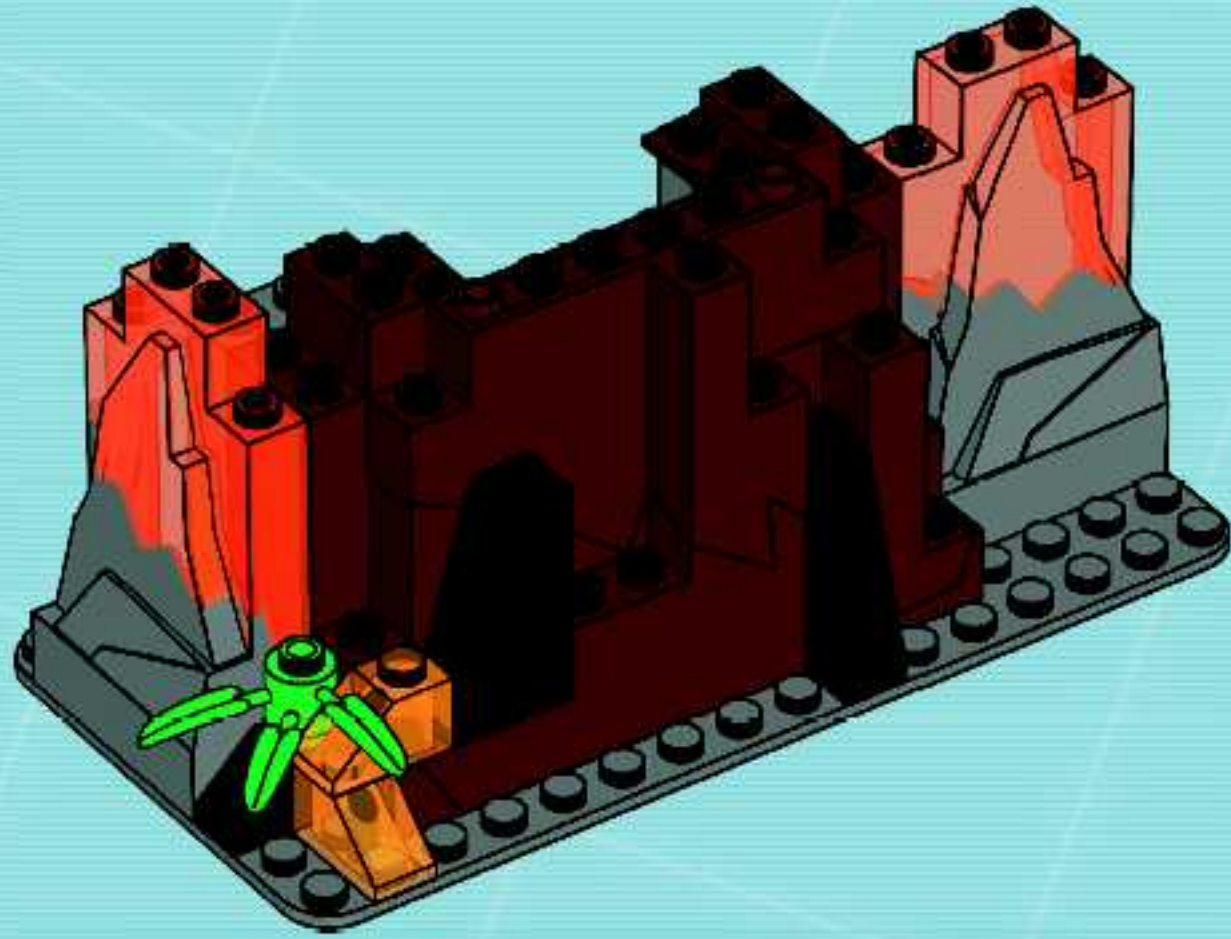


5

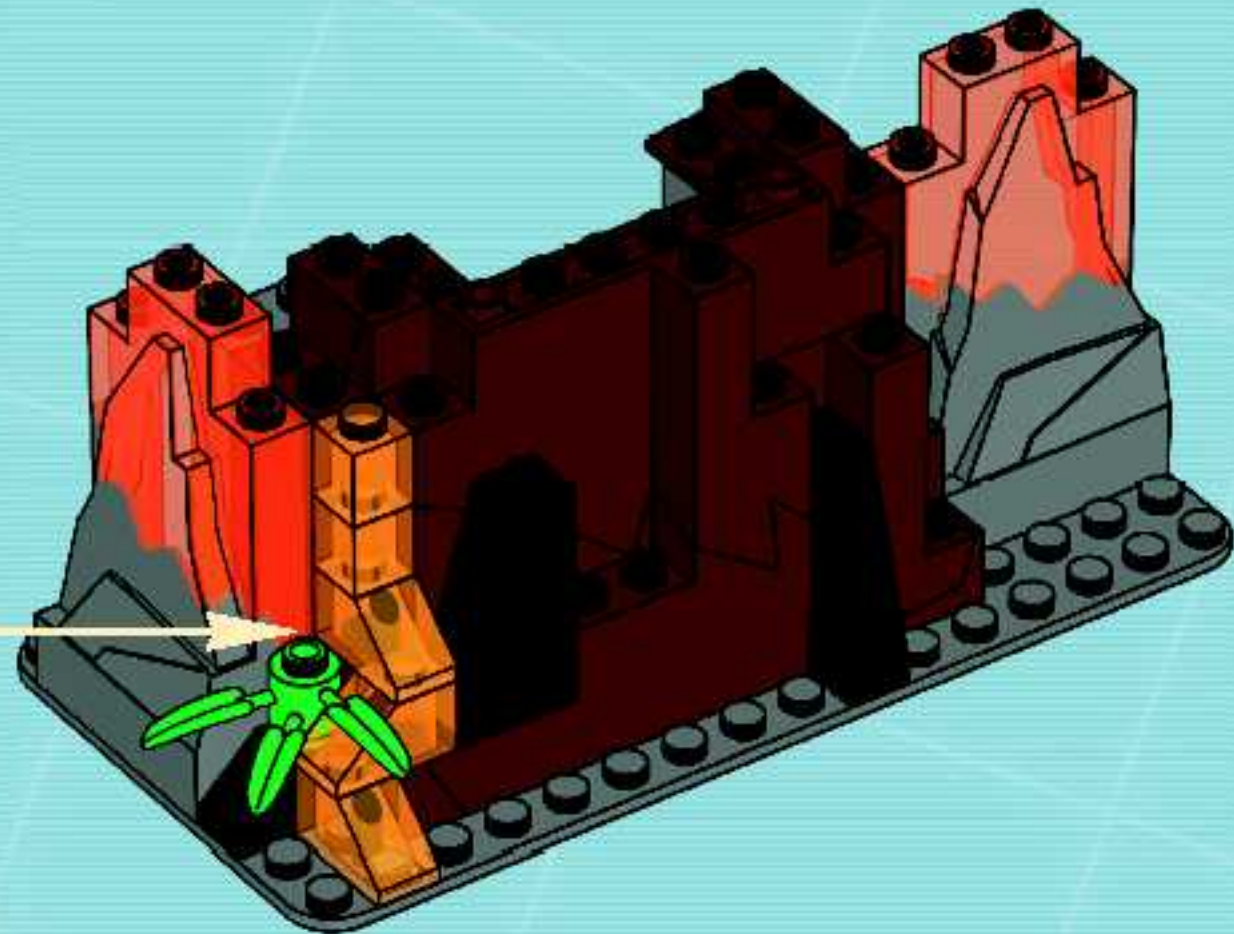
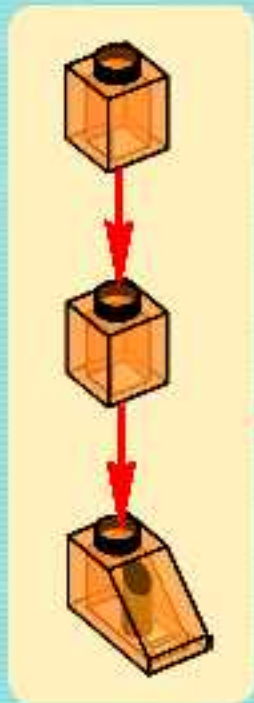




6

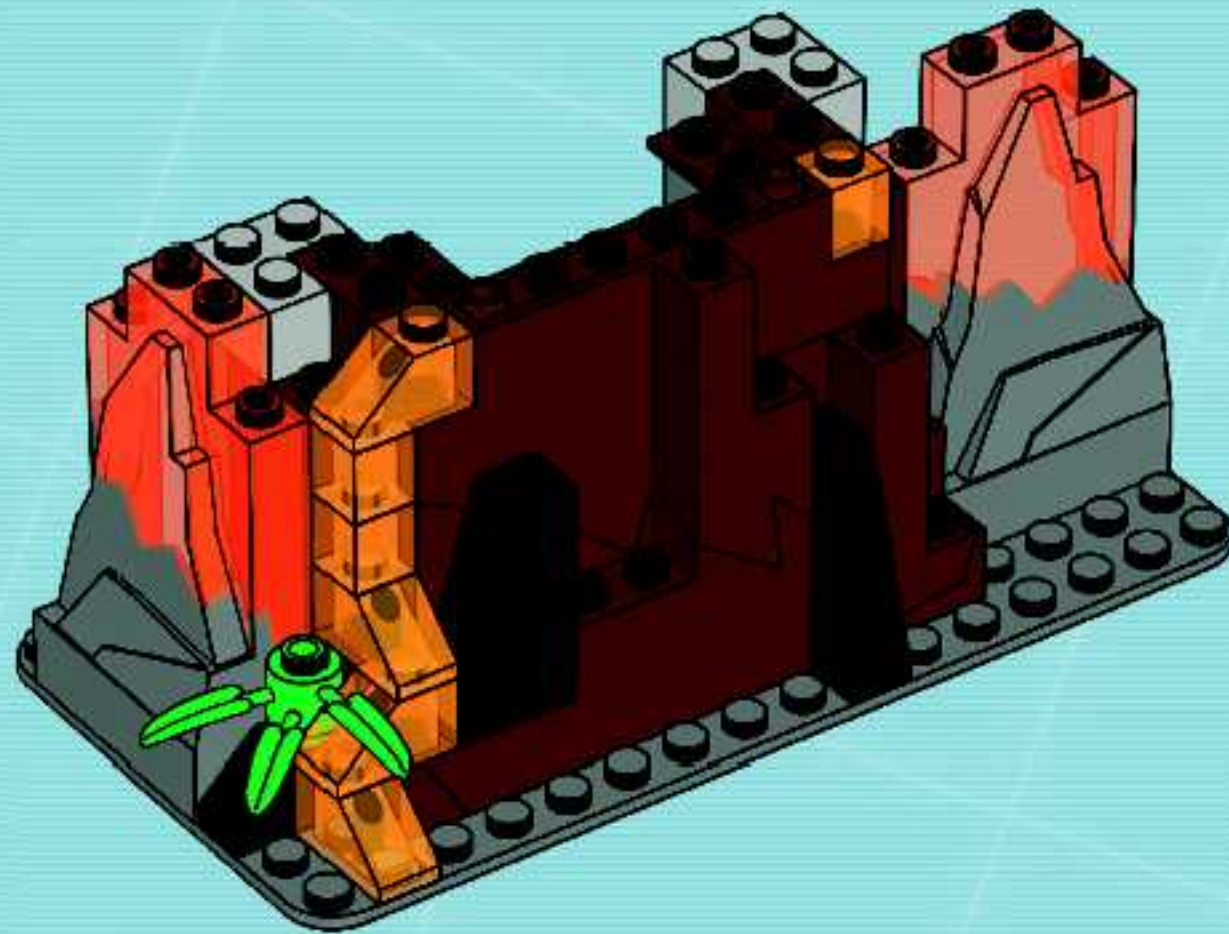


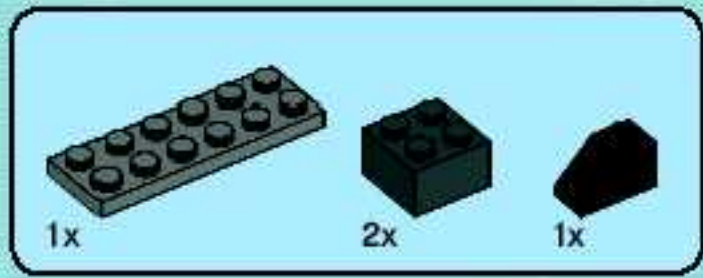
7



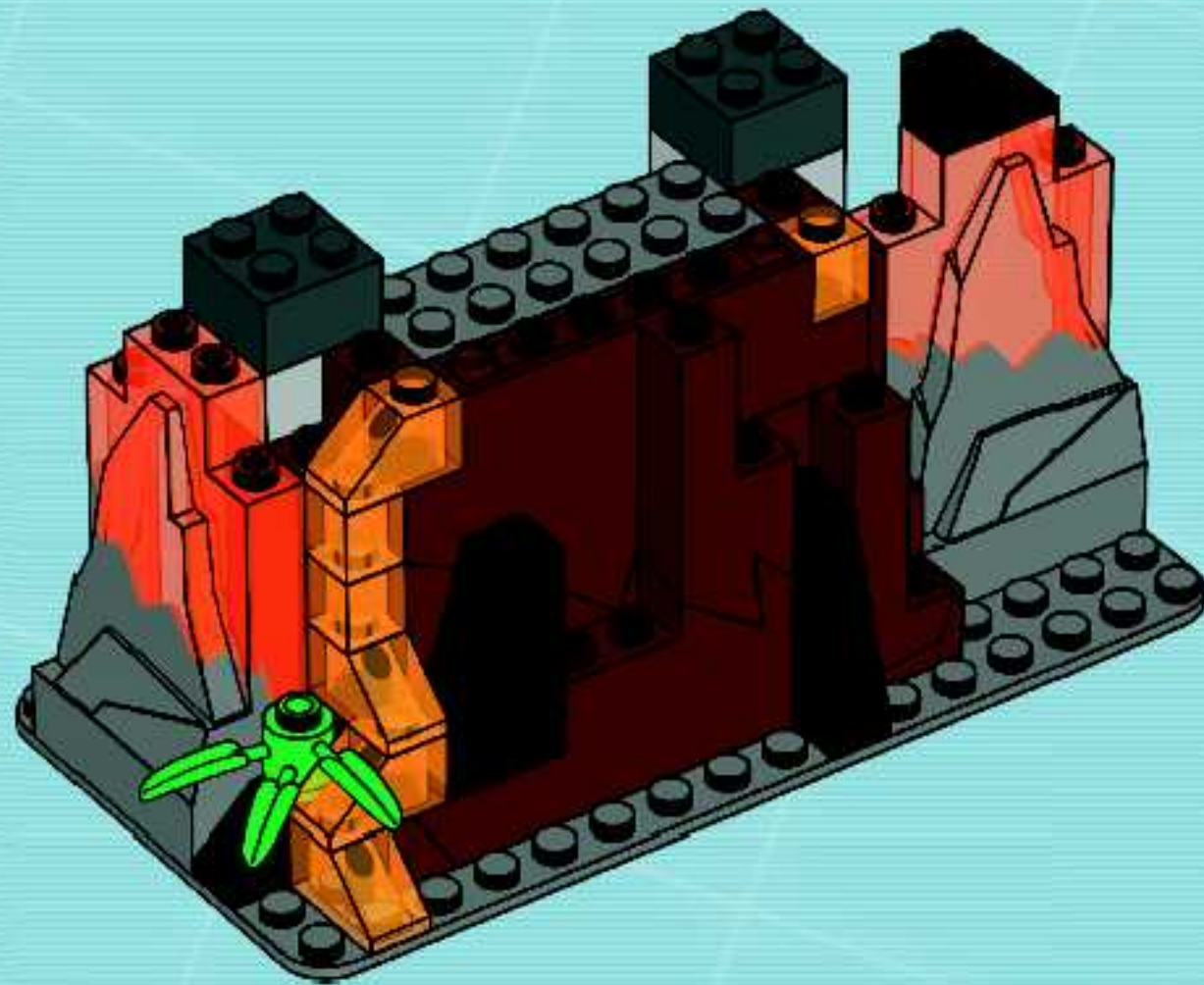


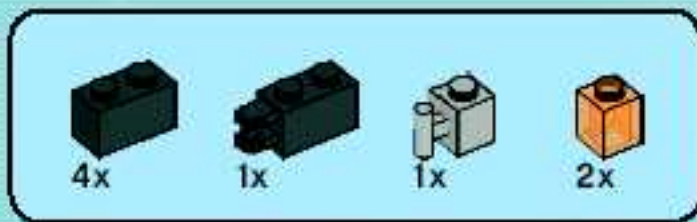
8





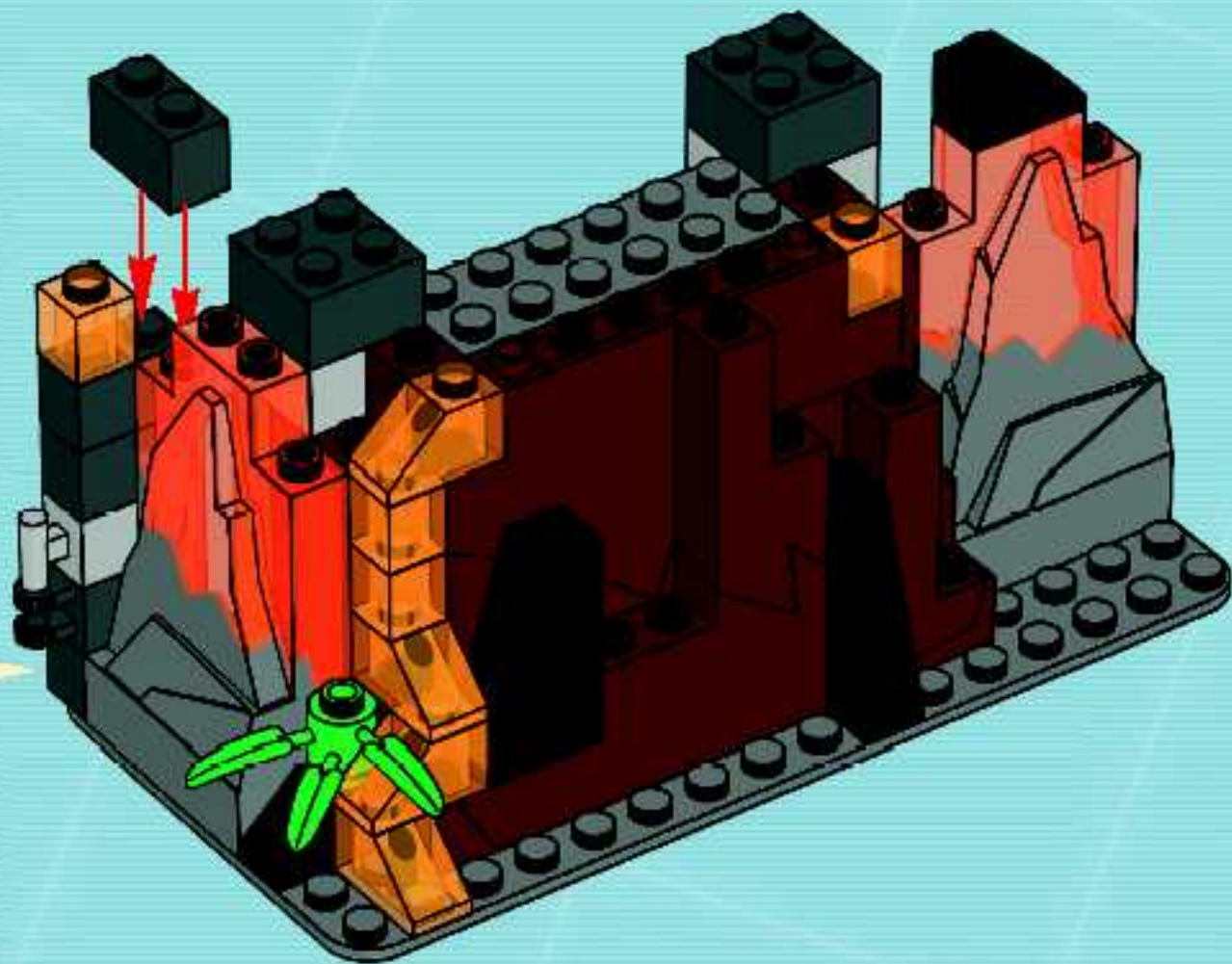
9

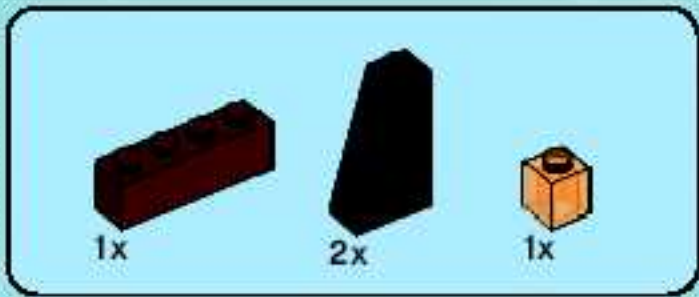




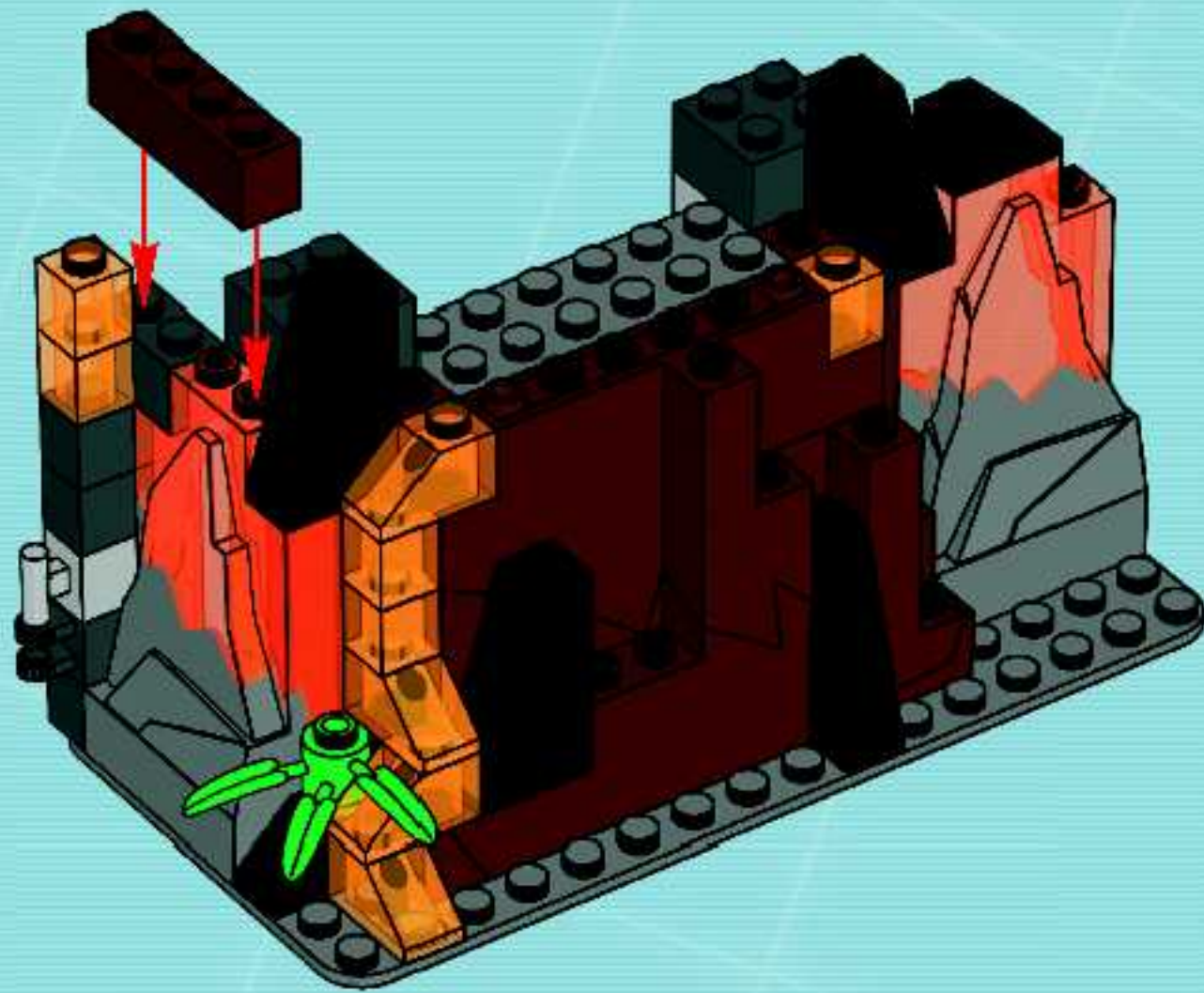
10

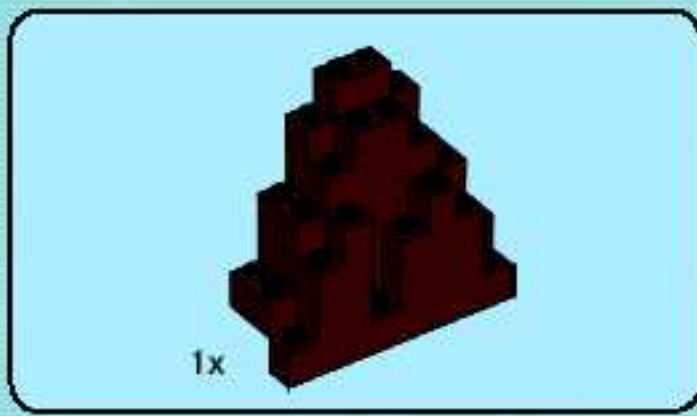
- 1
- 2
- 3
- 4



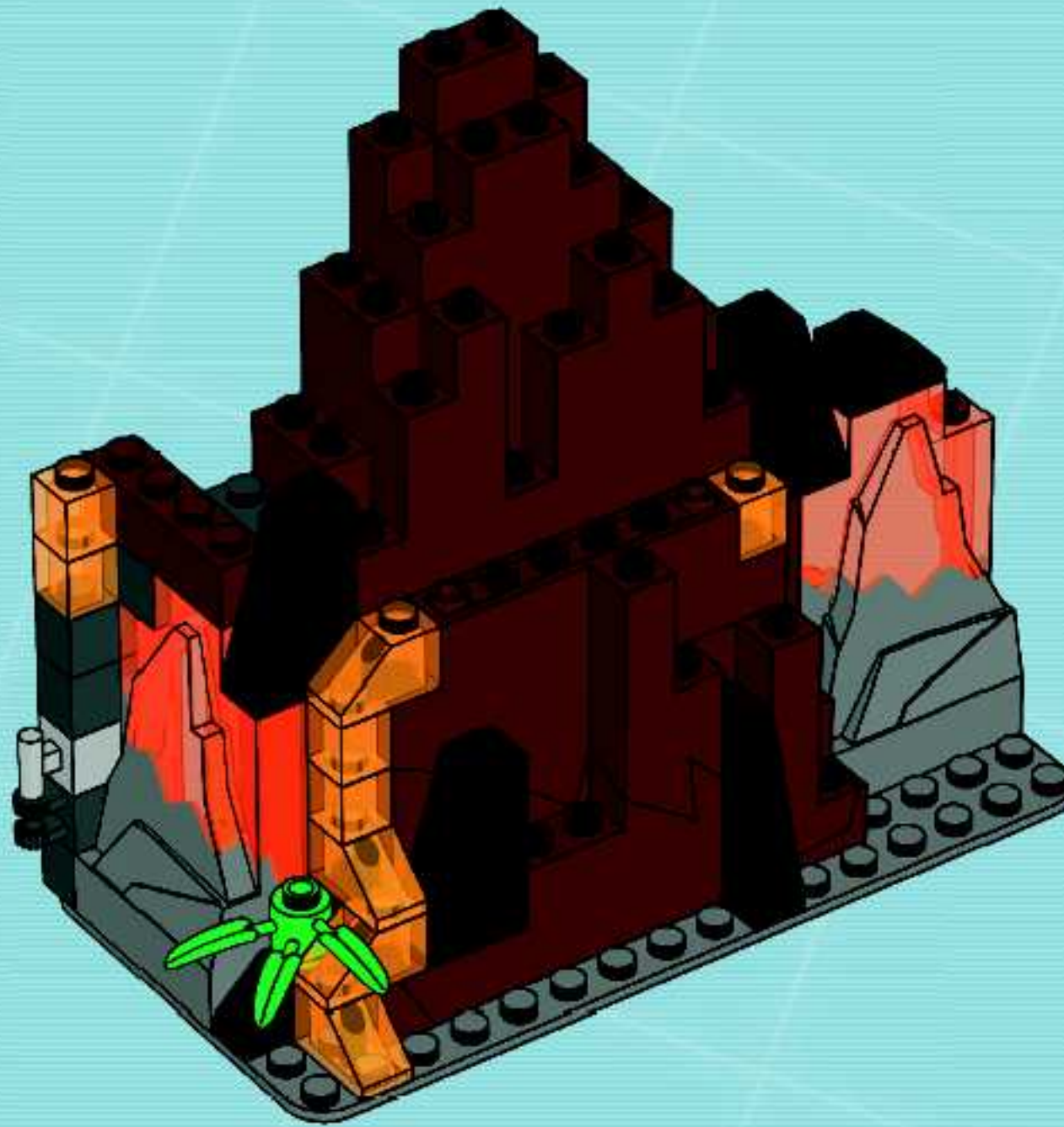


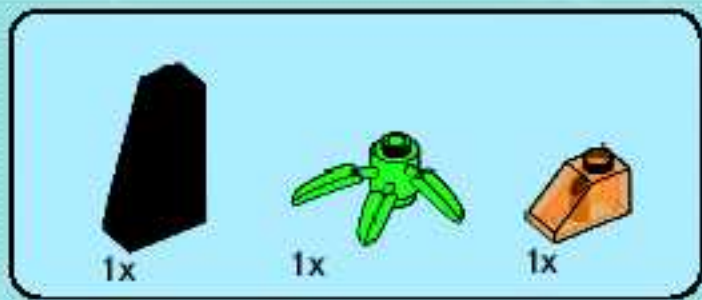
11



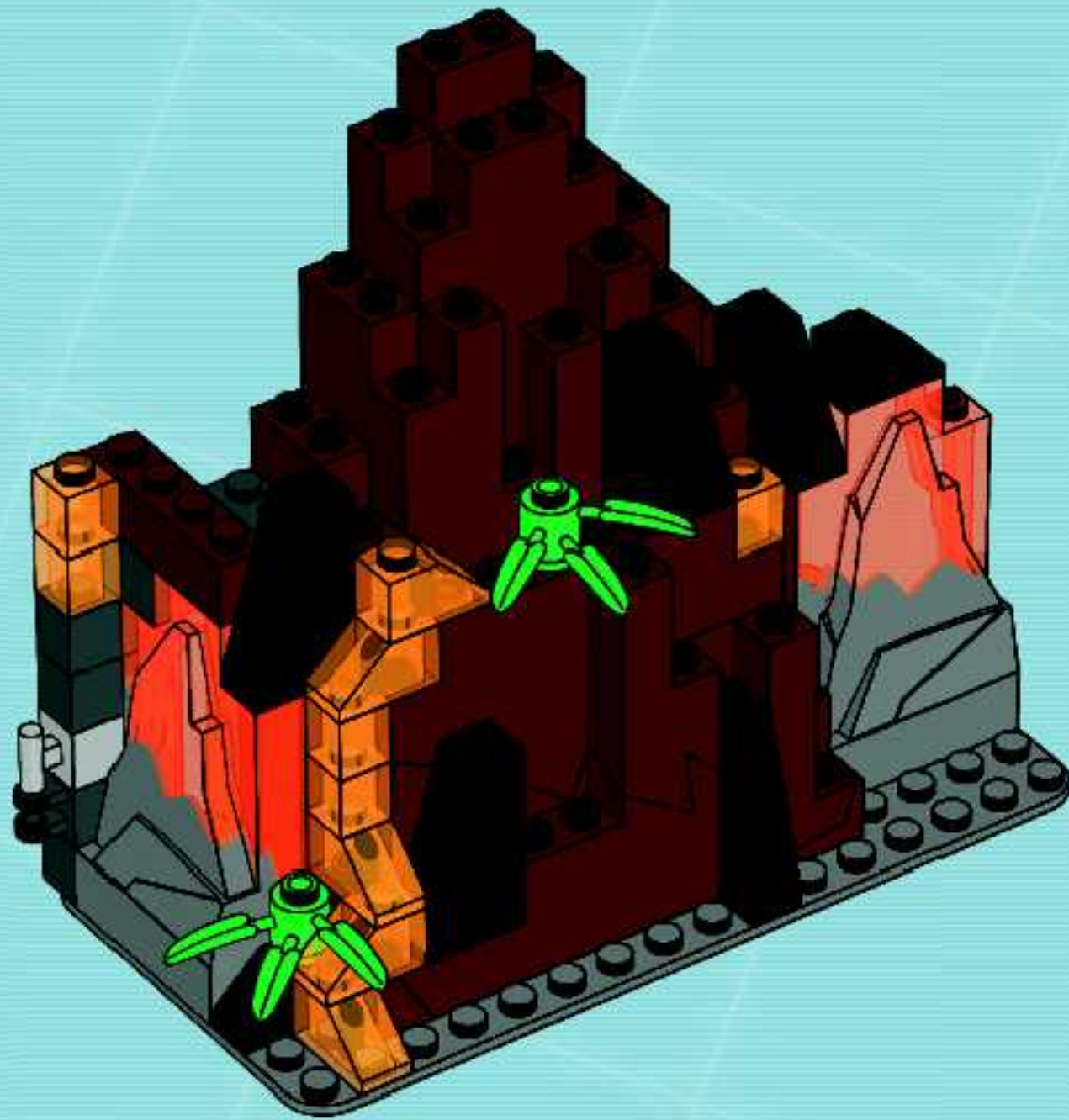


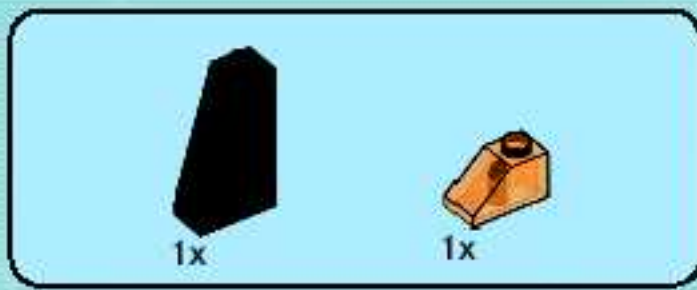
12



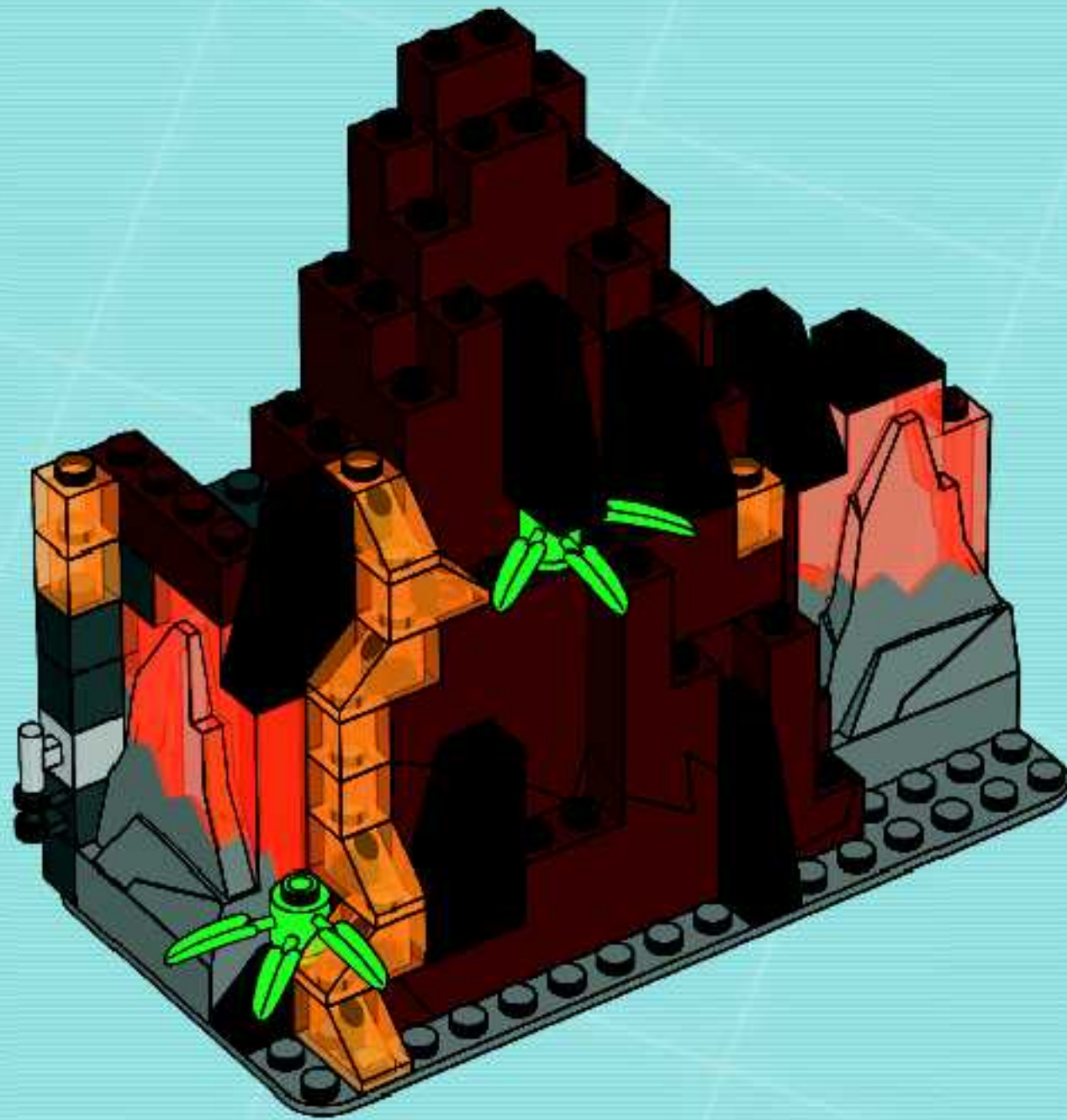


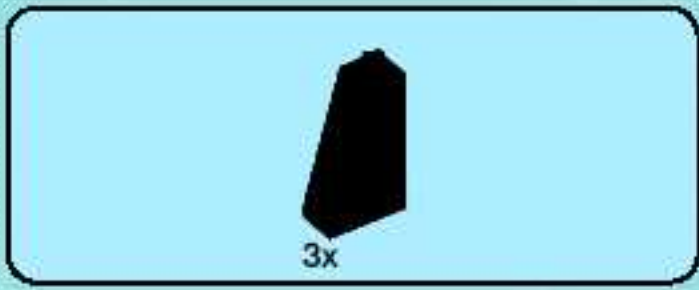
13



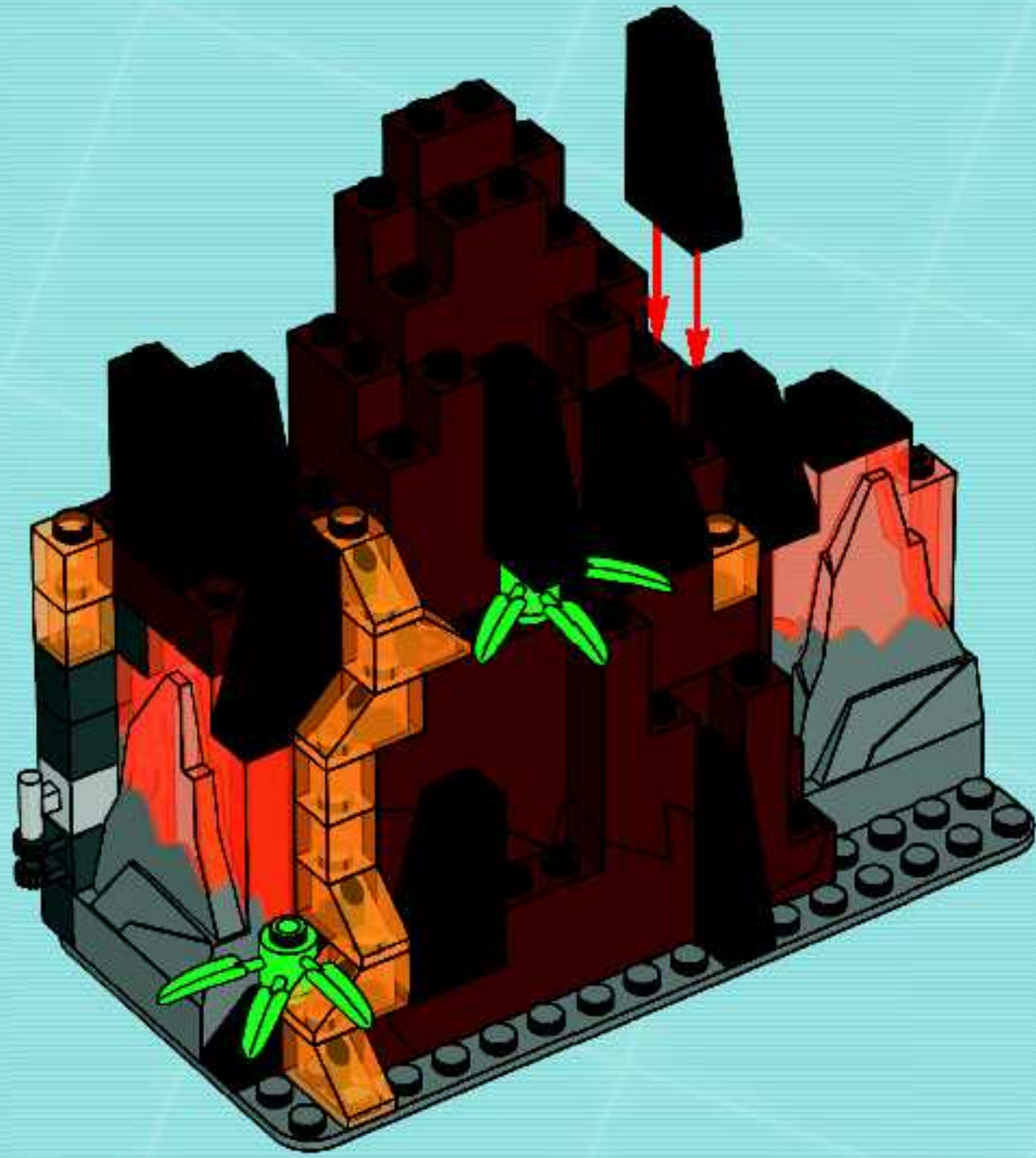


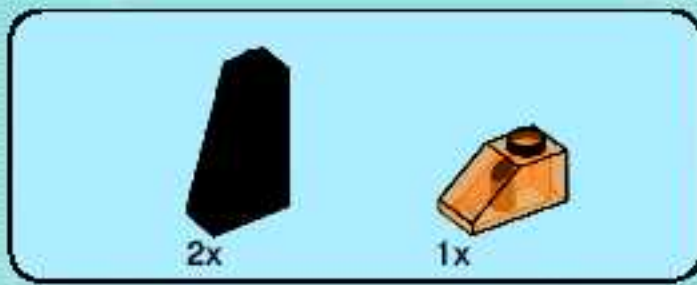
14



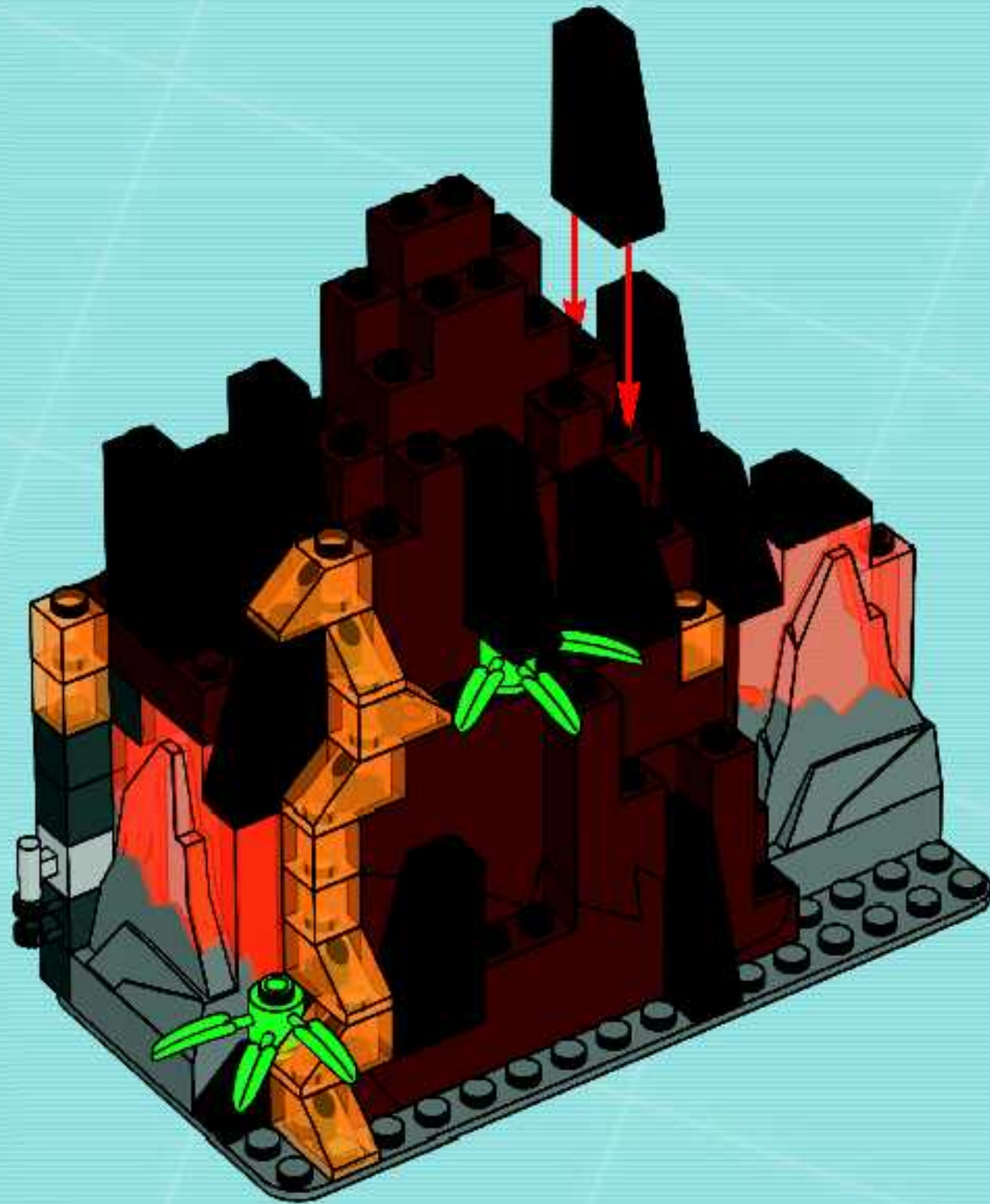


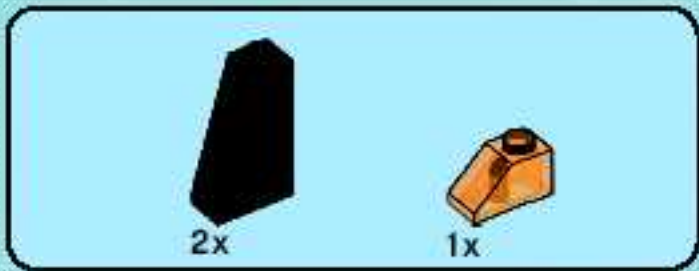
15



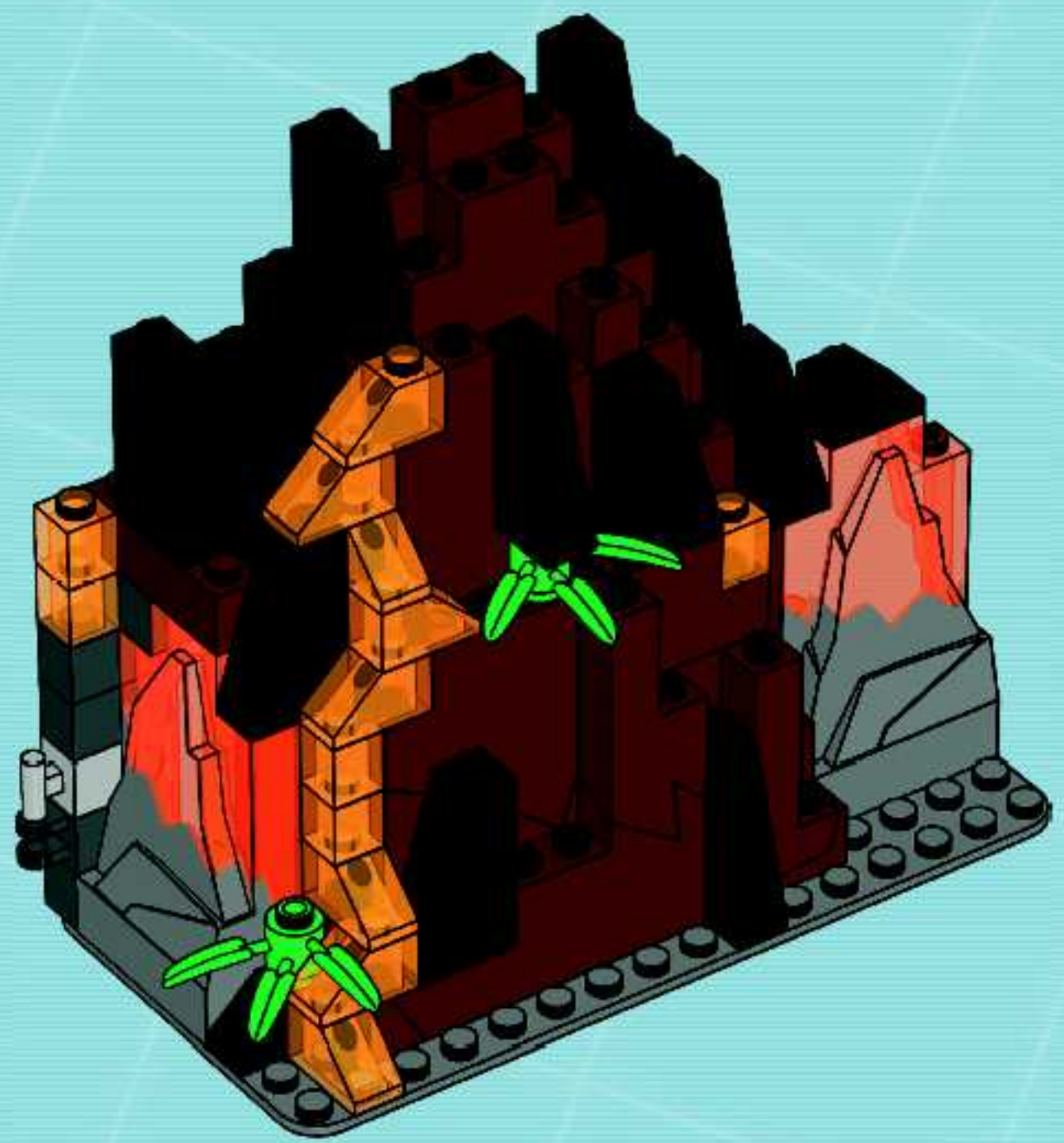


16





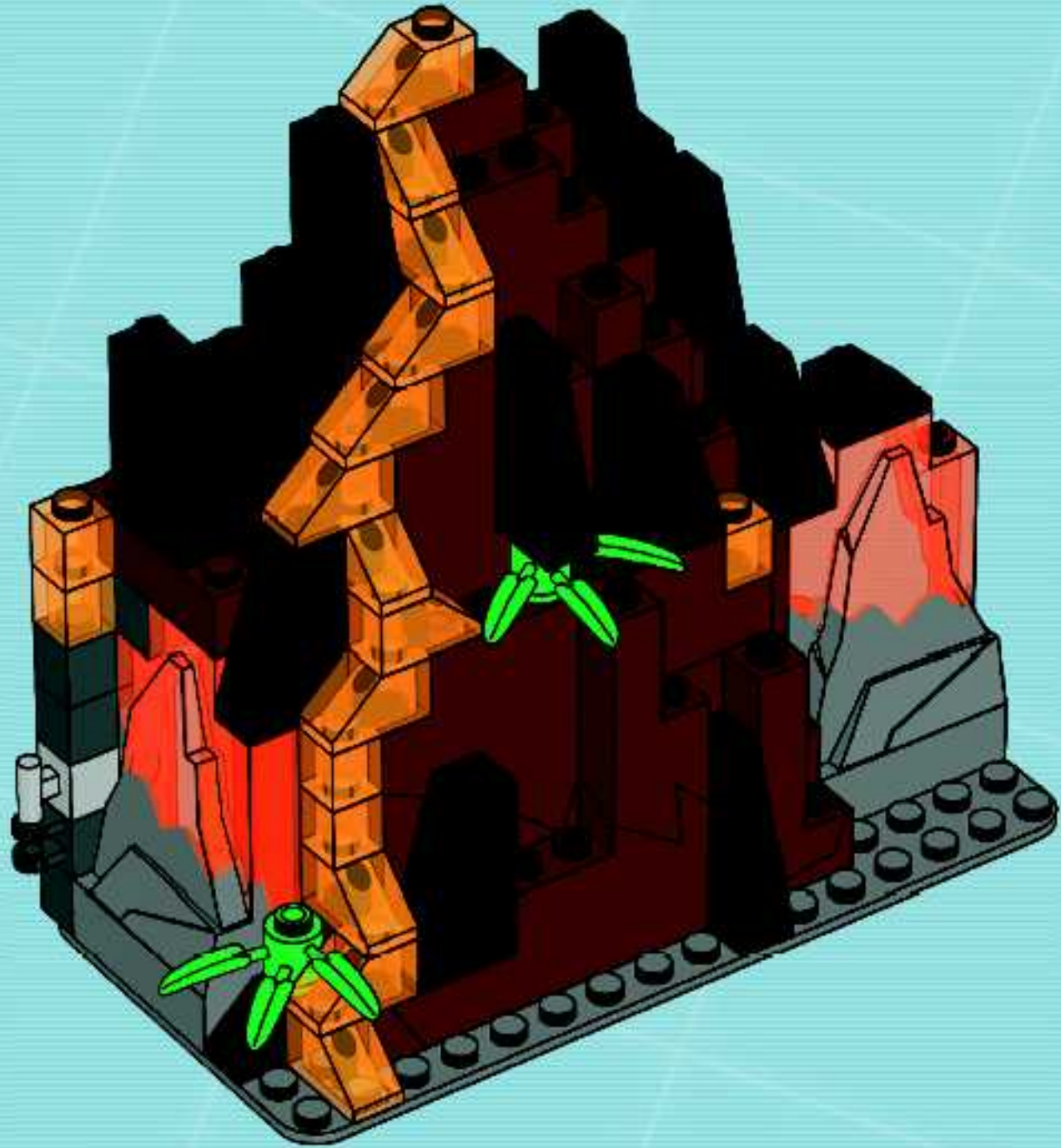
17

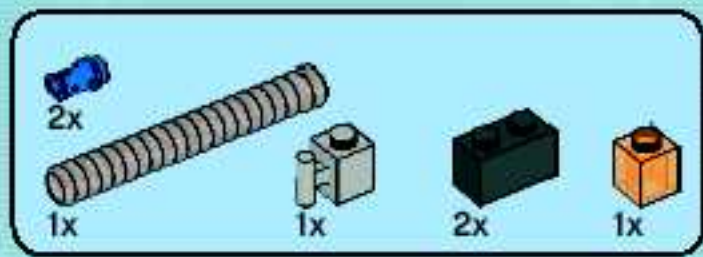




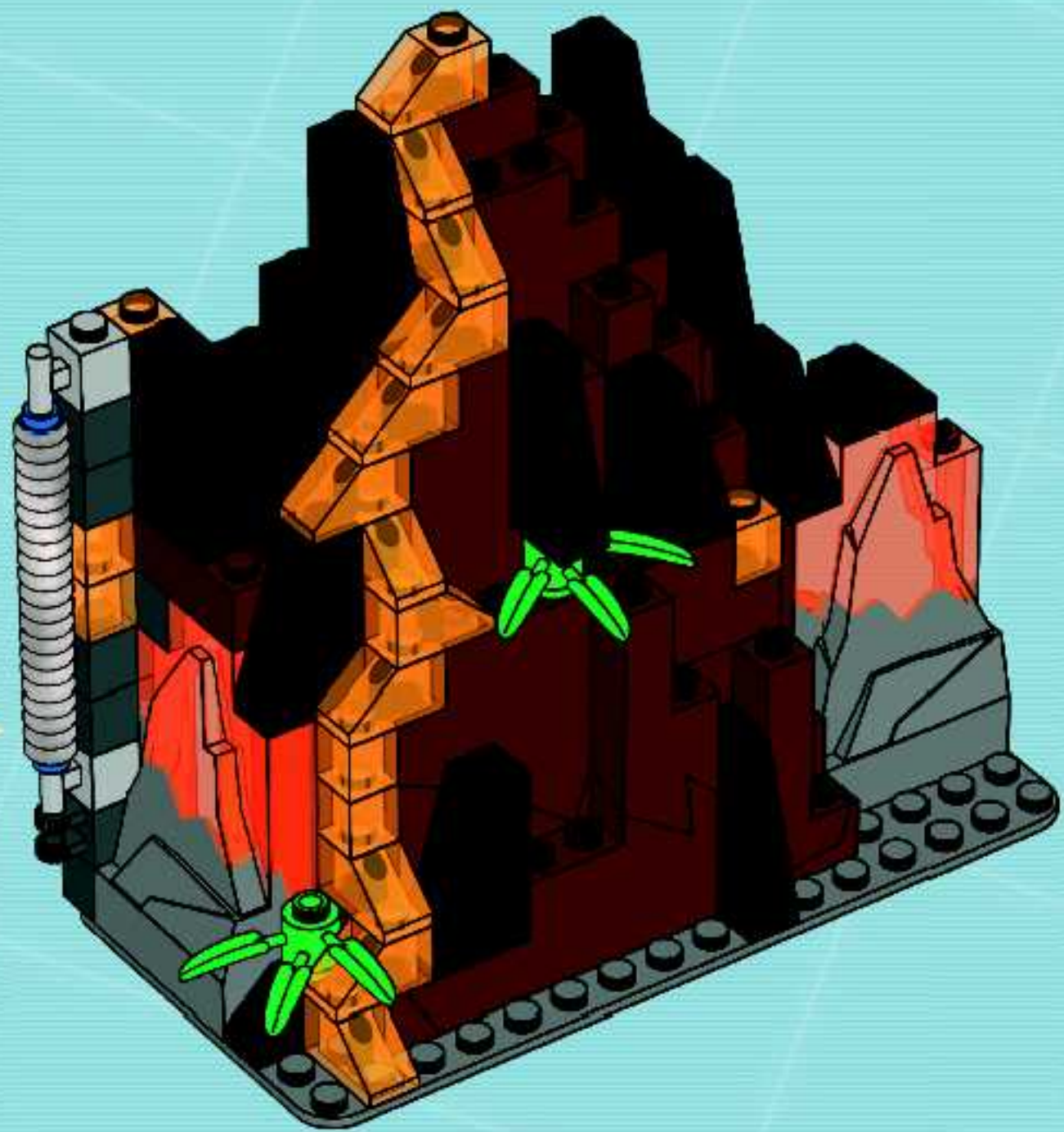
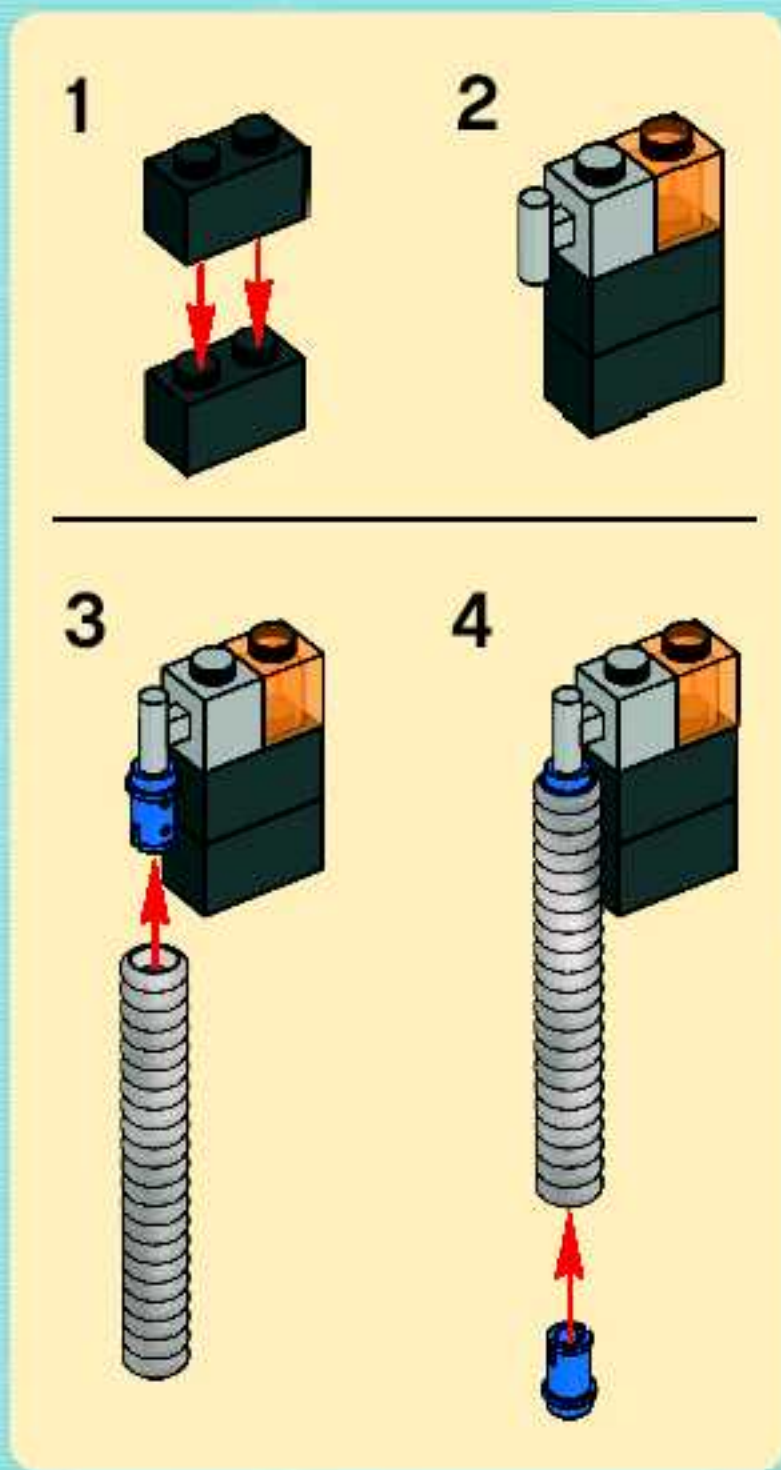
4x

18



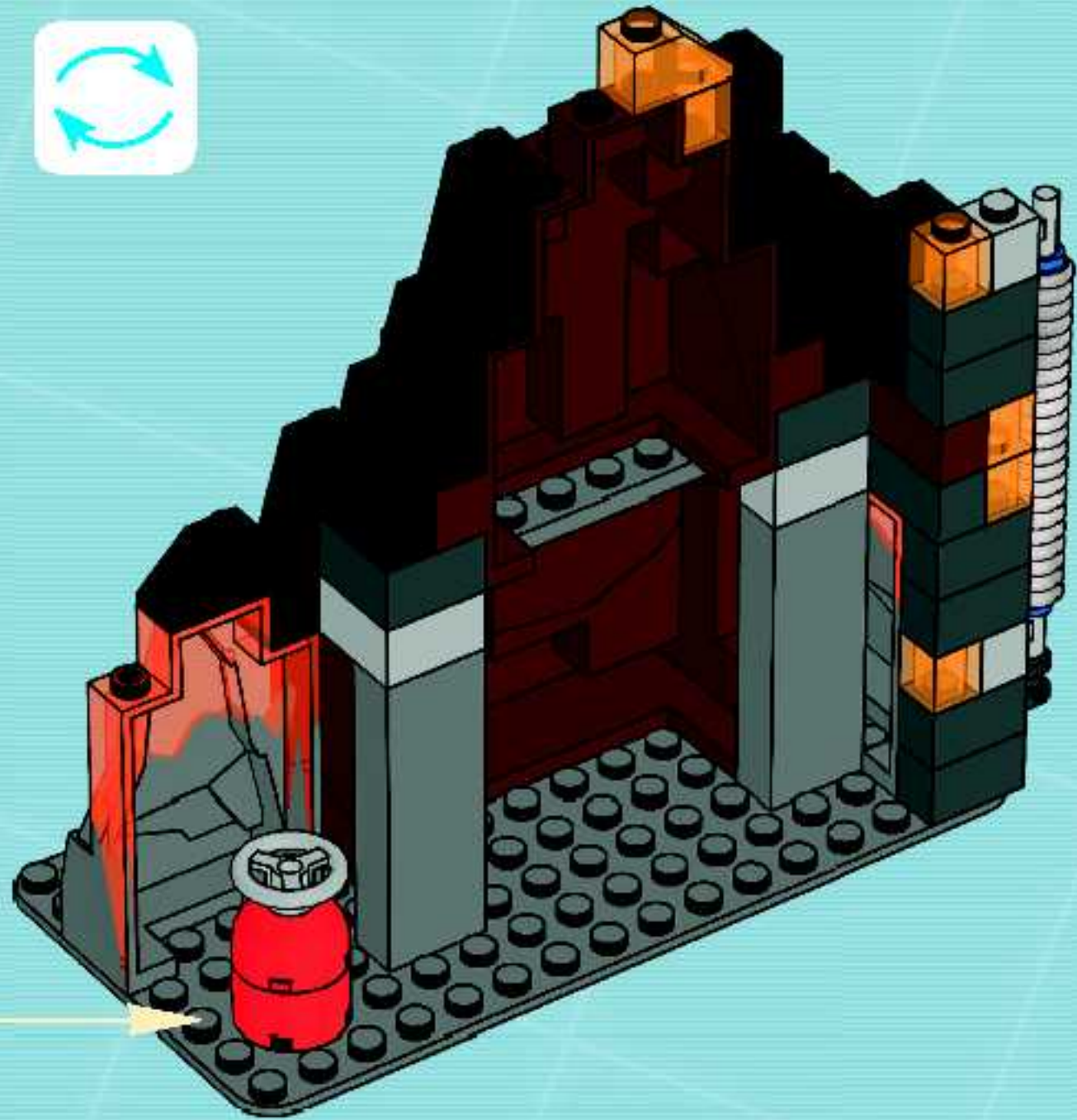
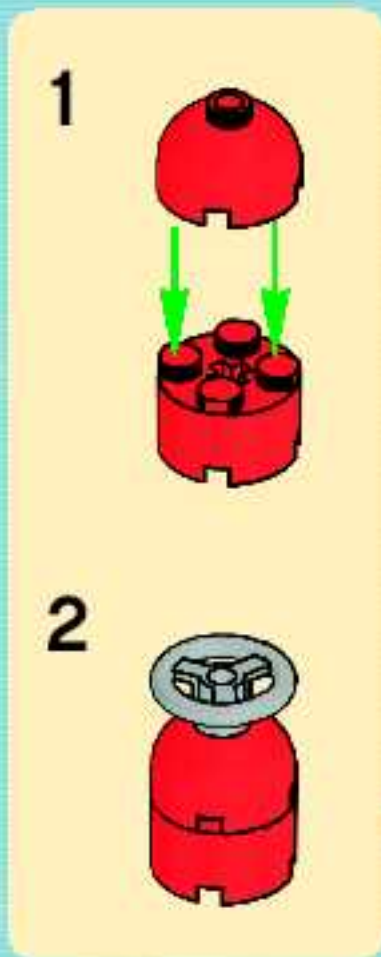


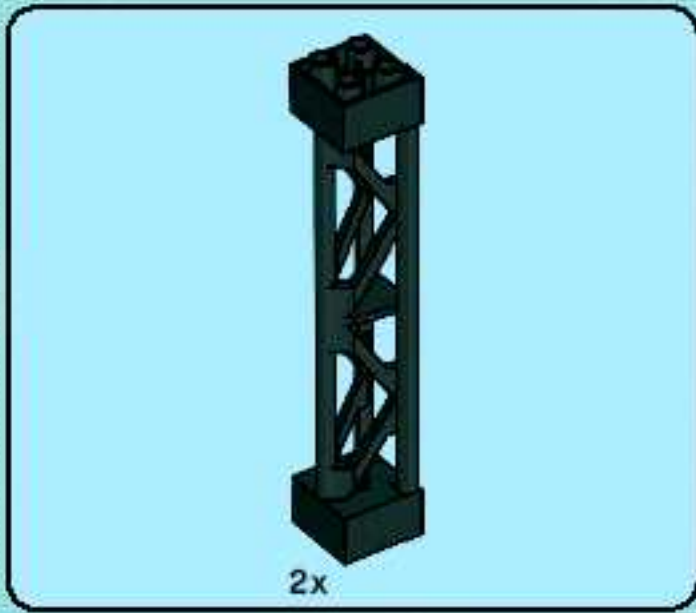
19



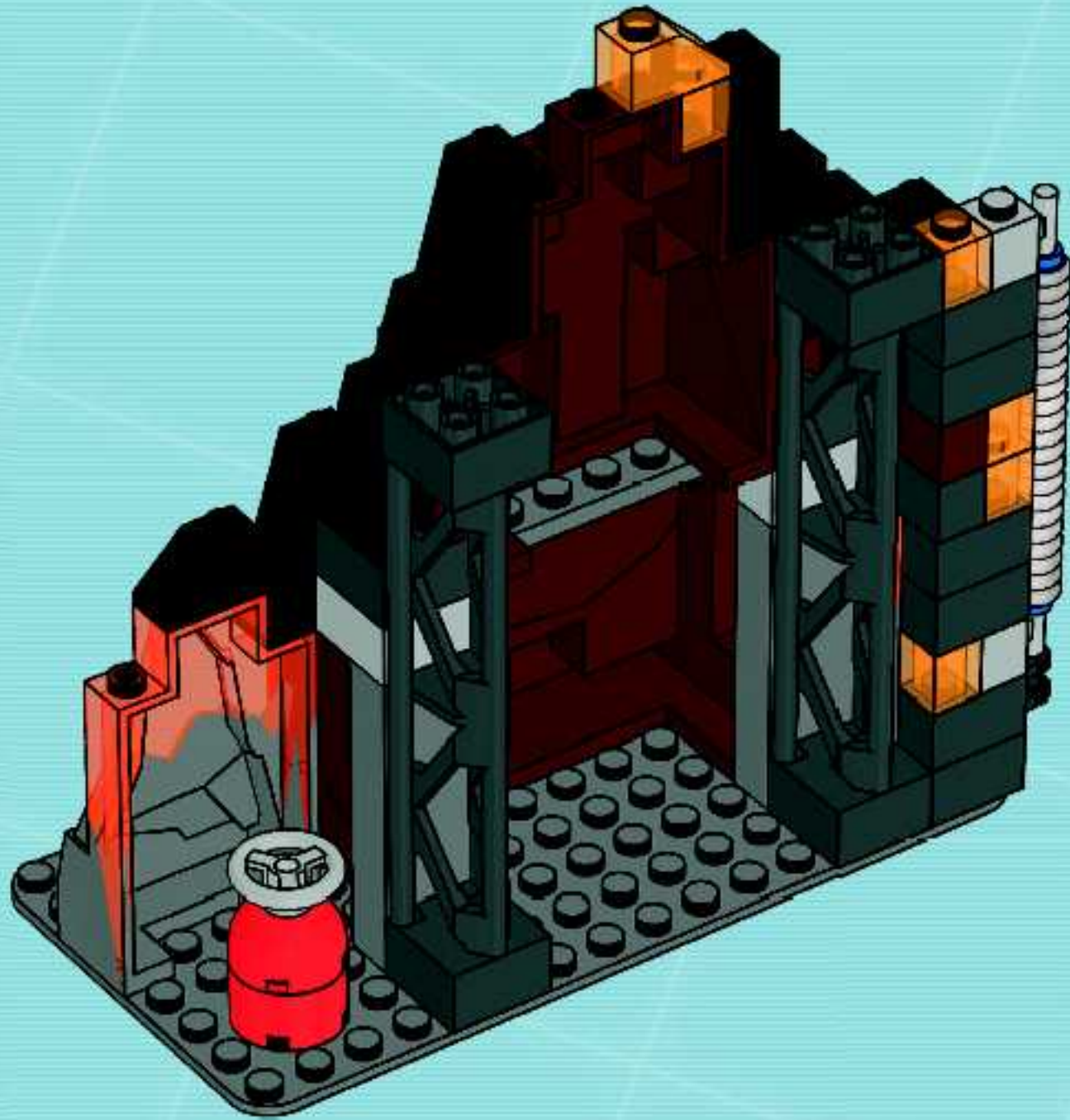


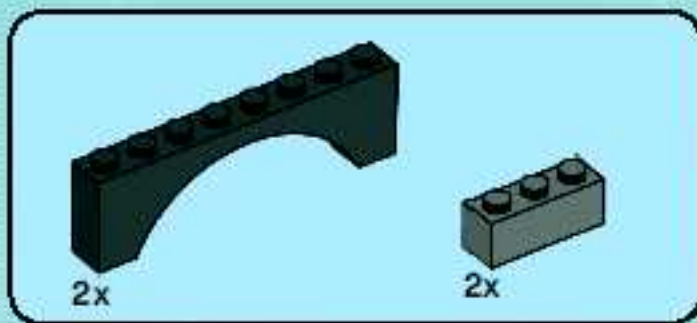
20



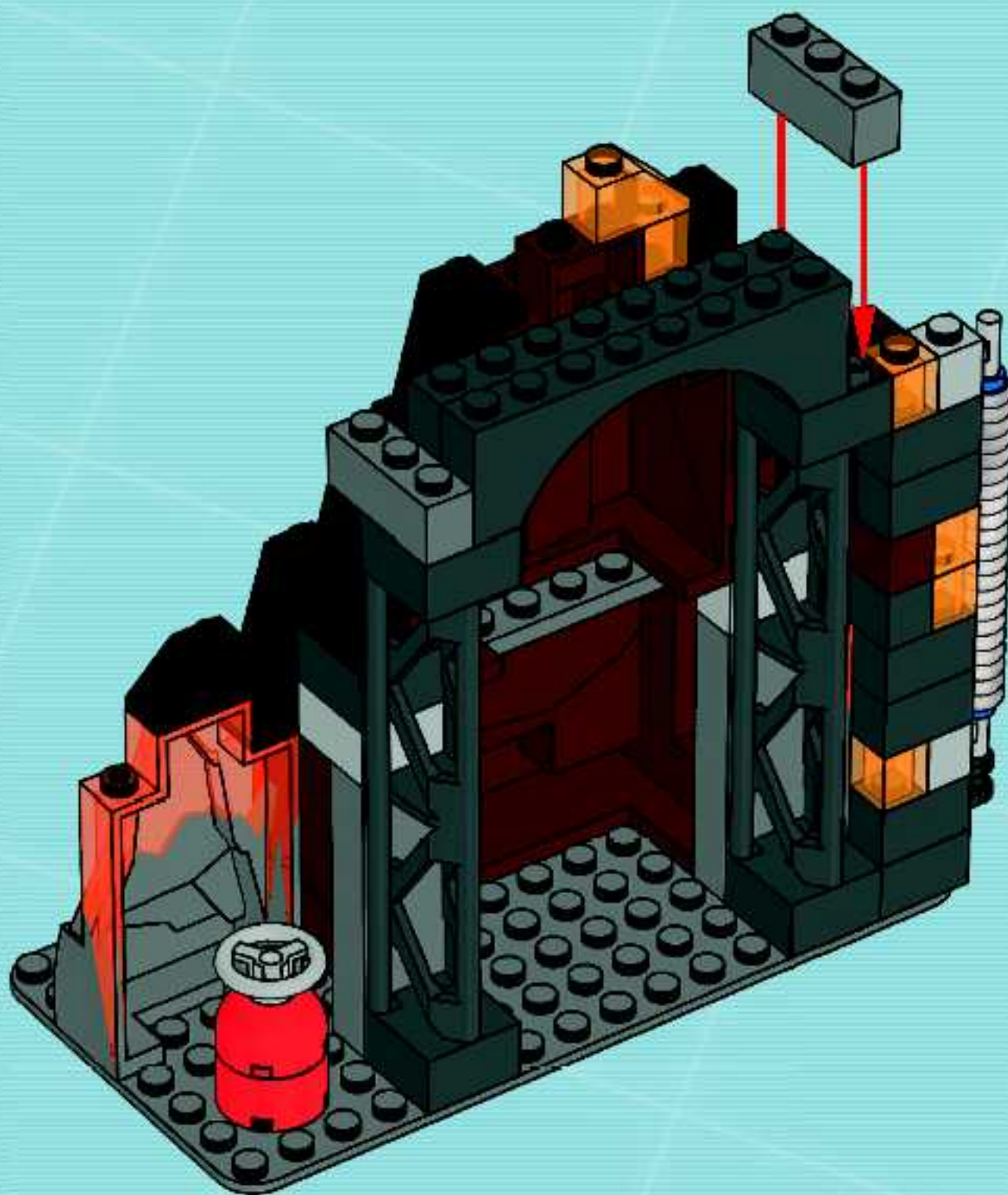


21





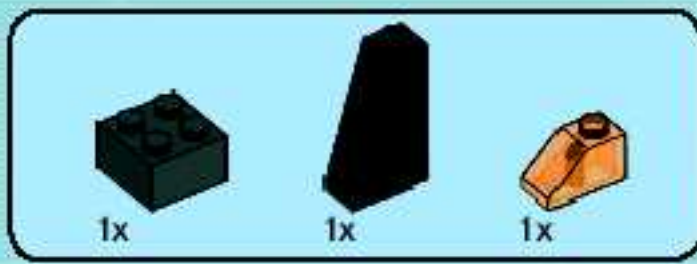
22



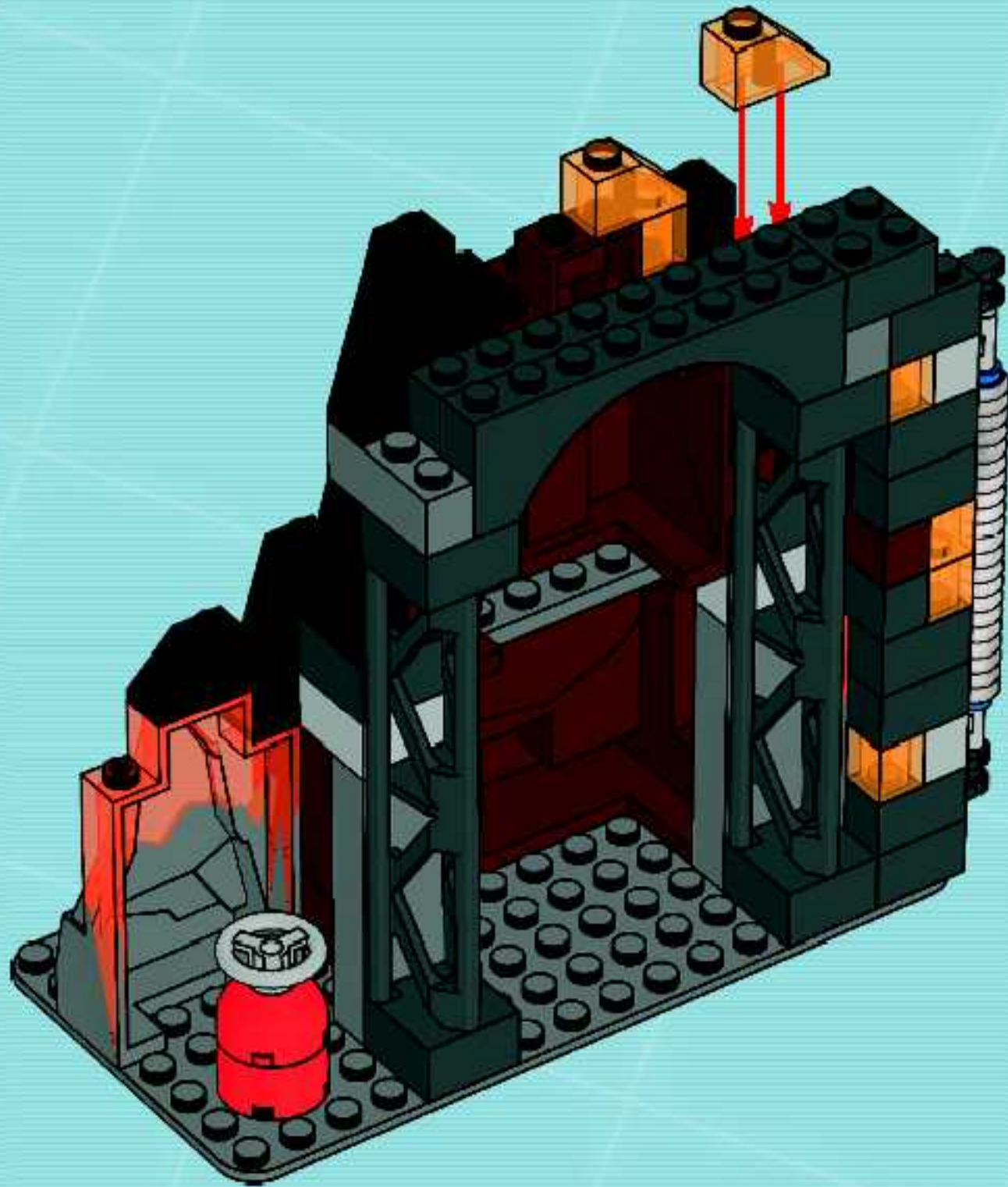


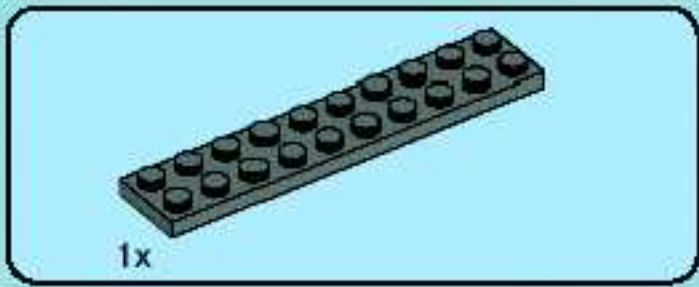
23



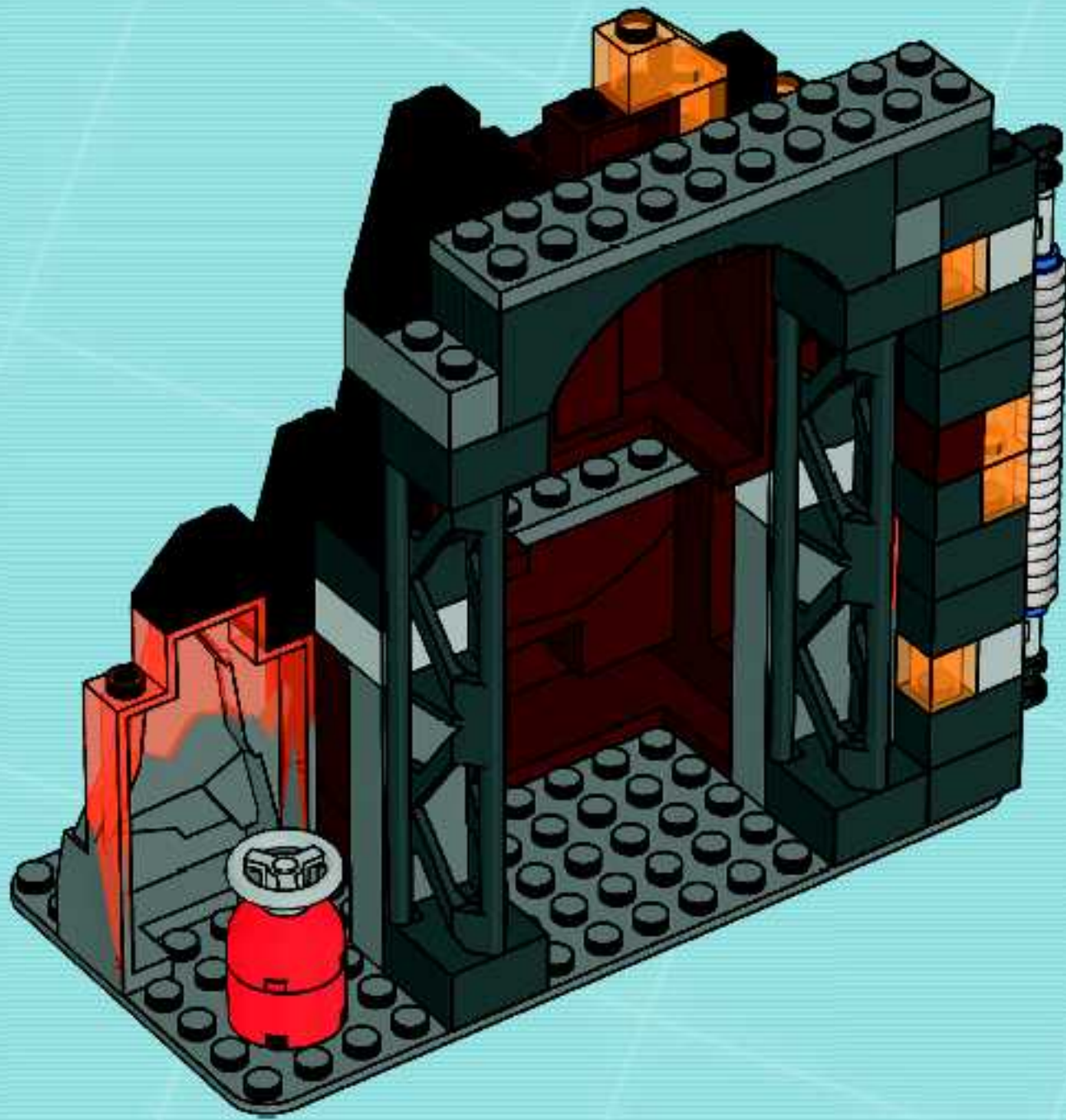


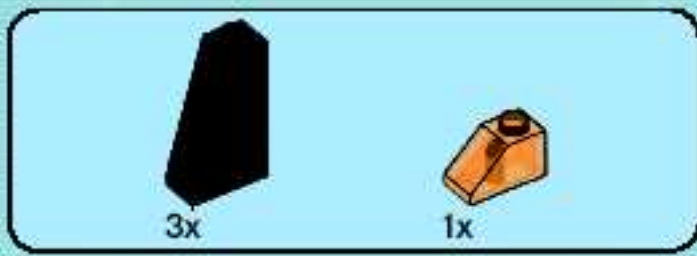
24



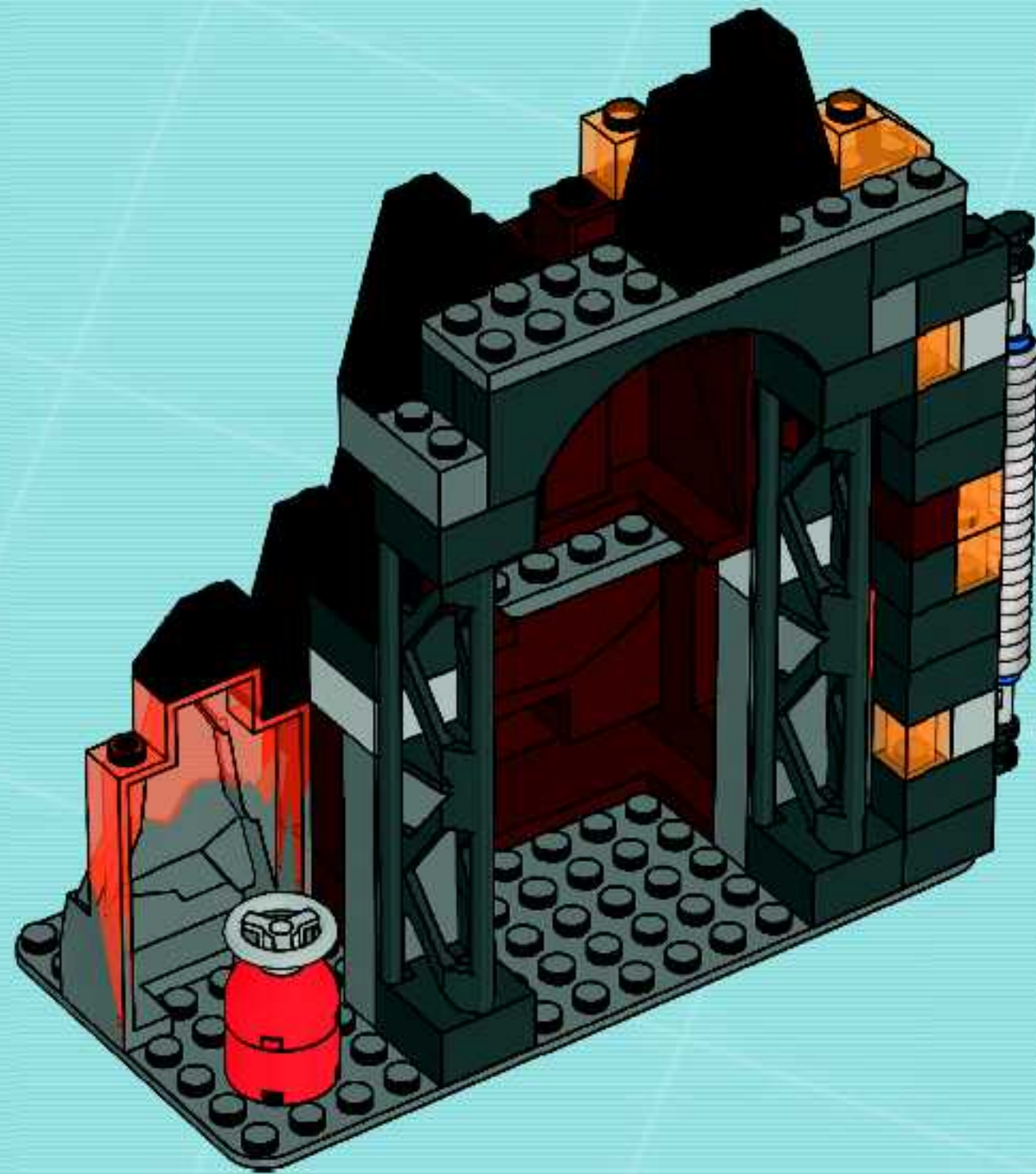


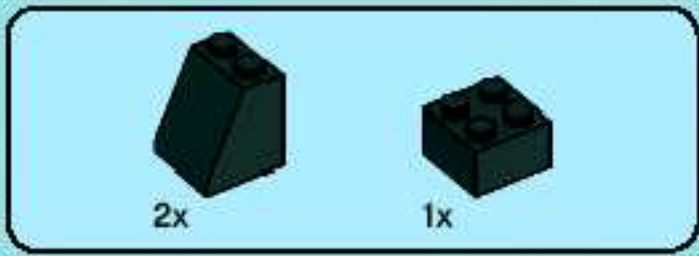
25



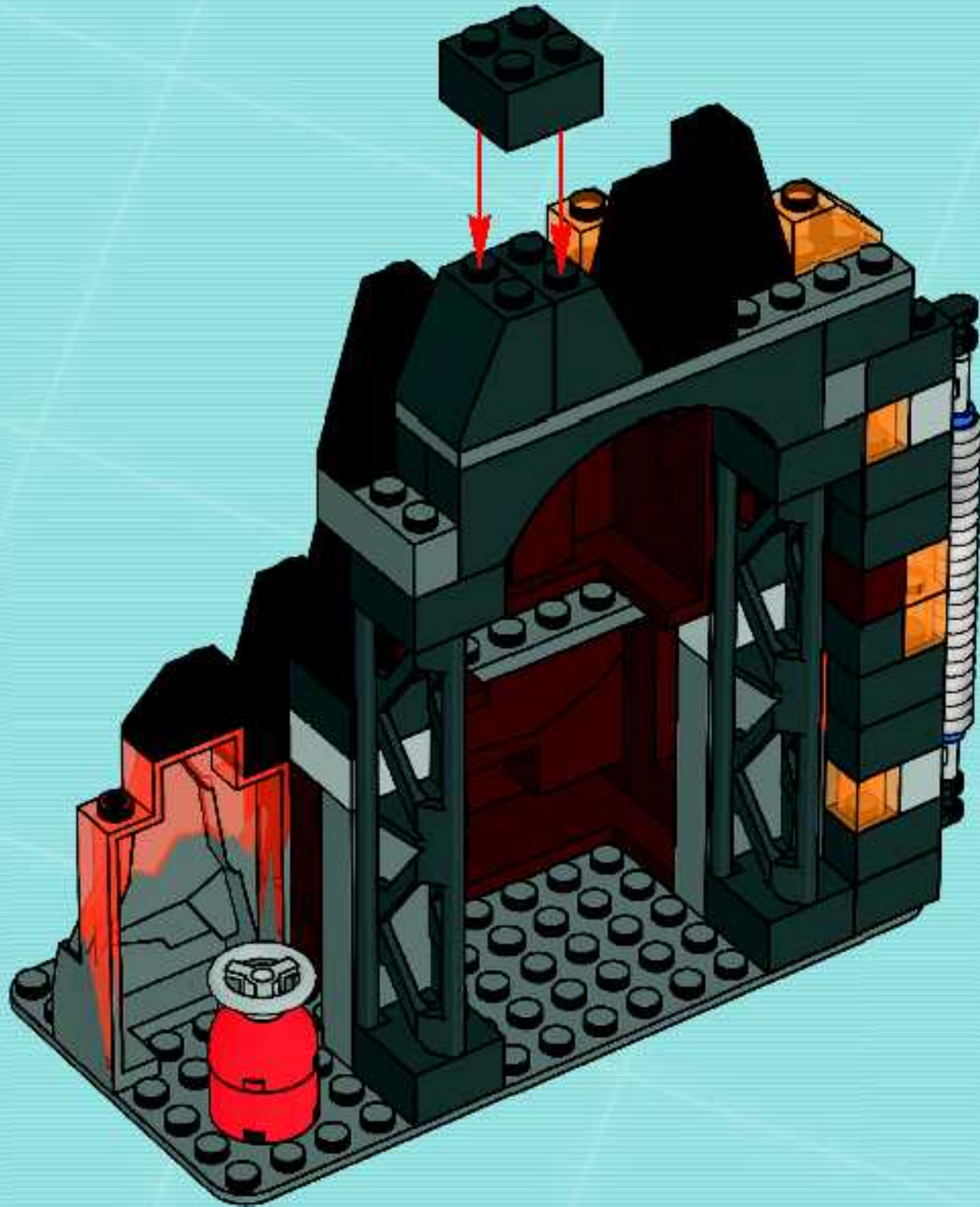


26



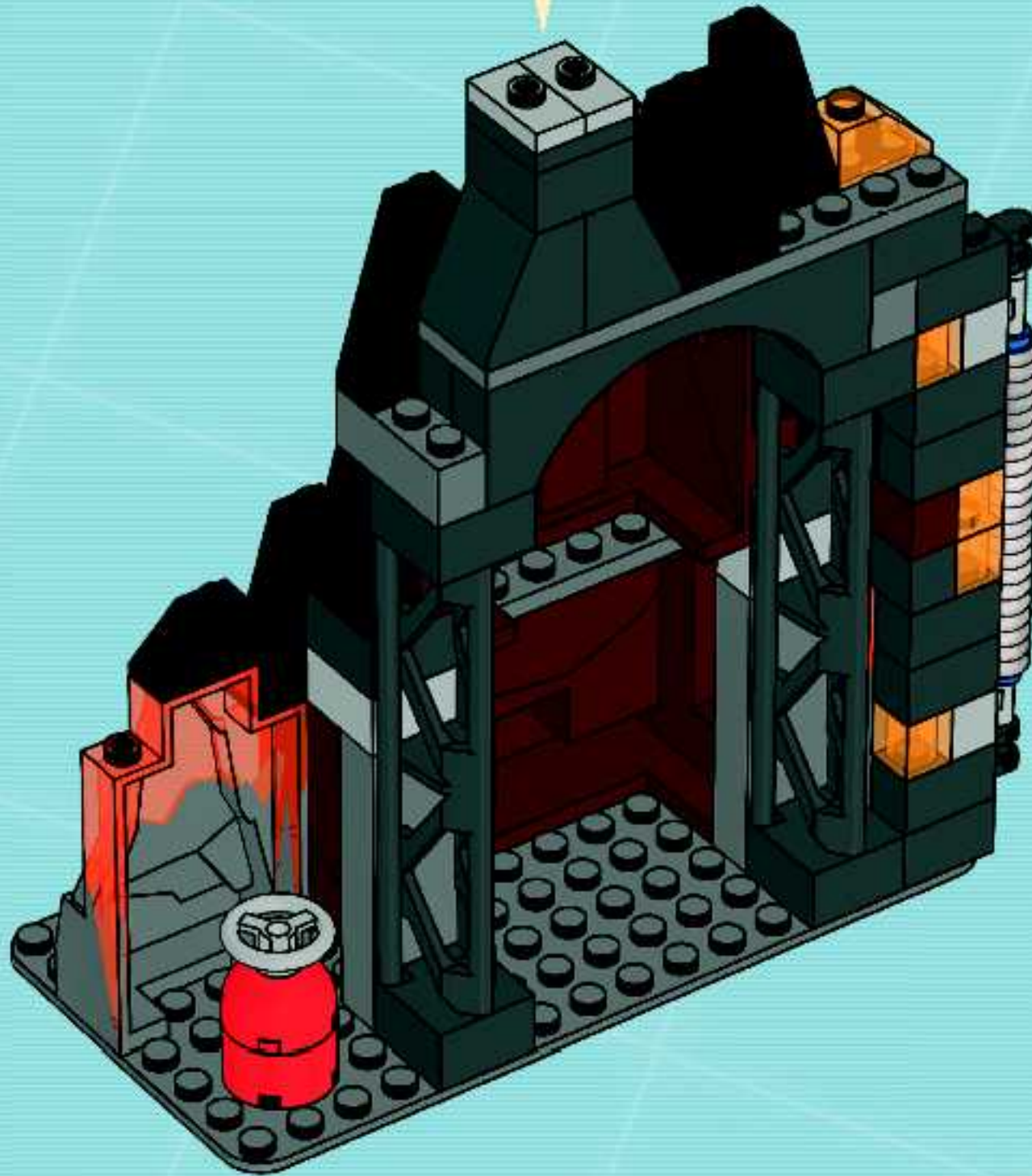
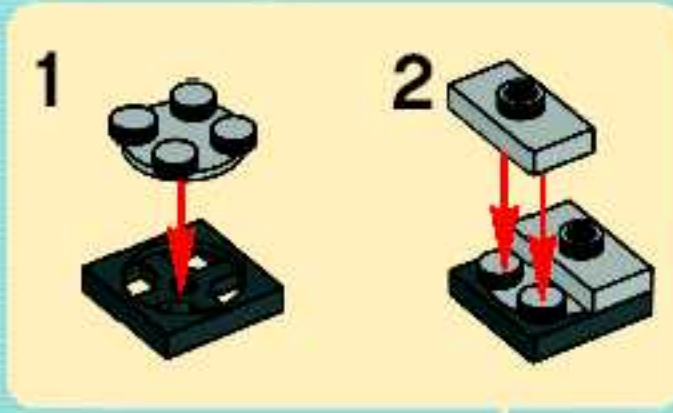


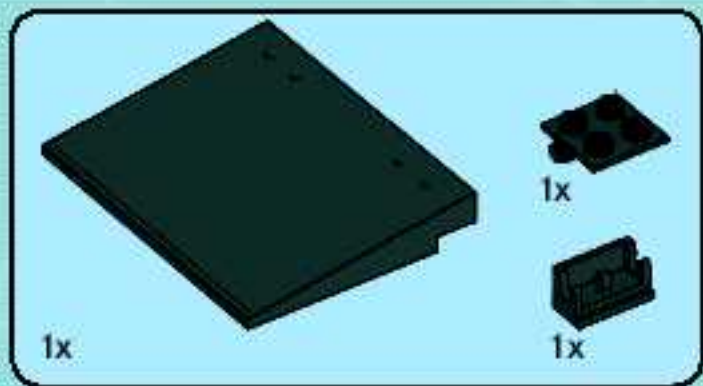
27



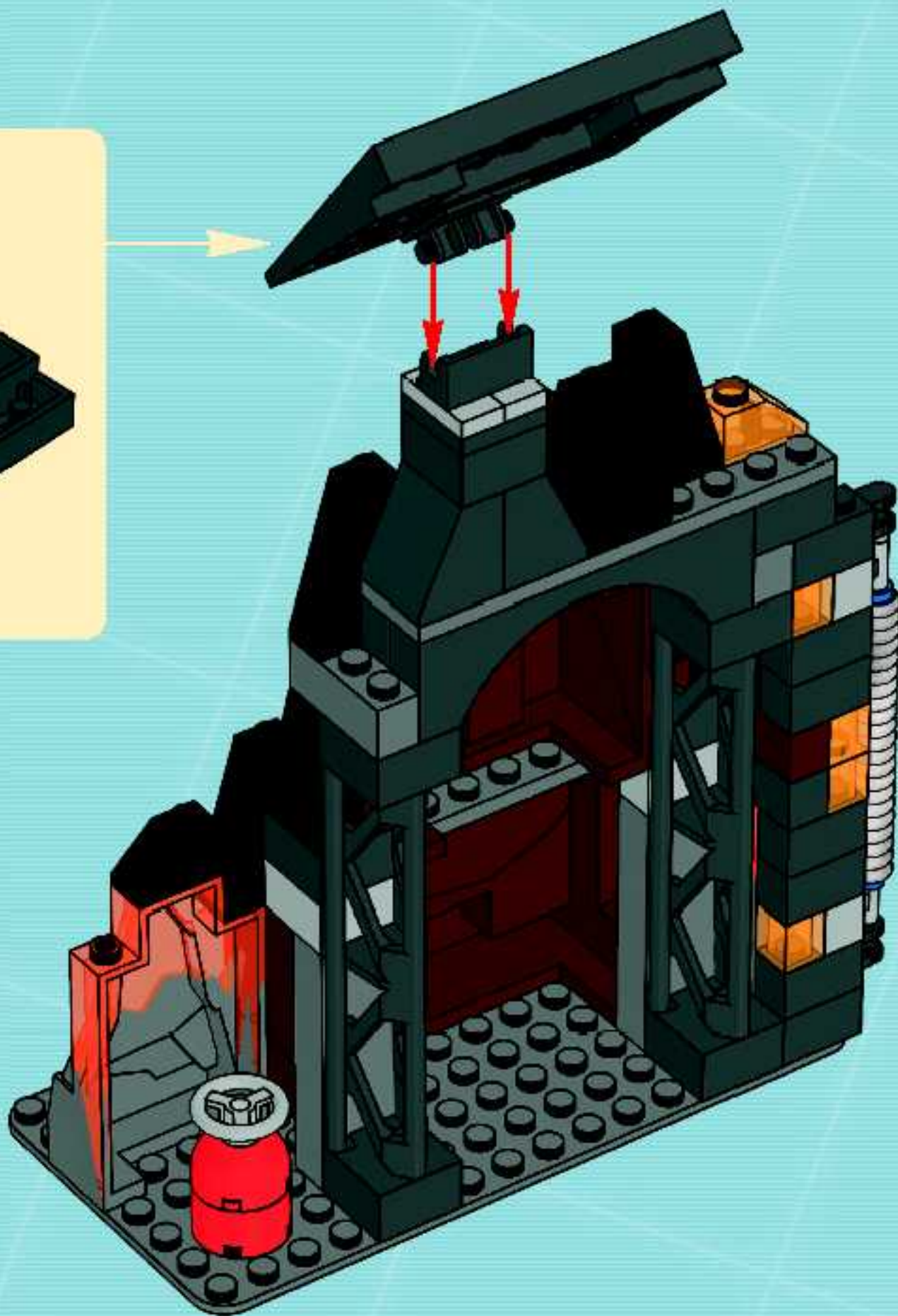
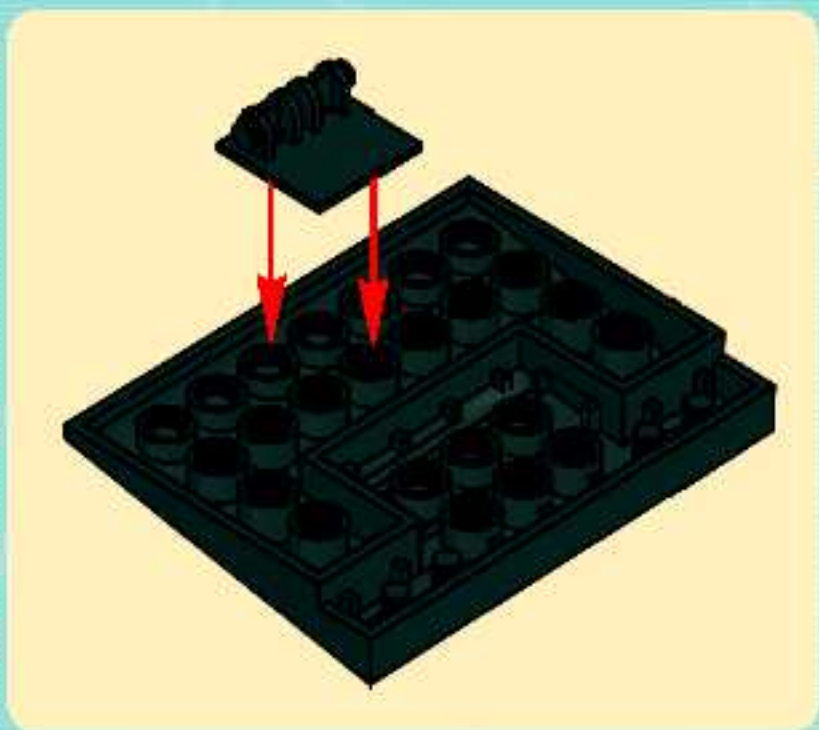


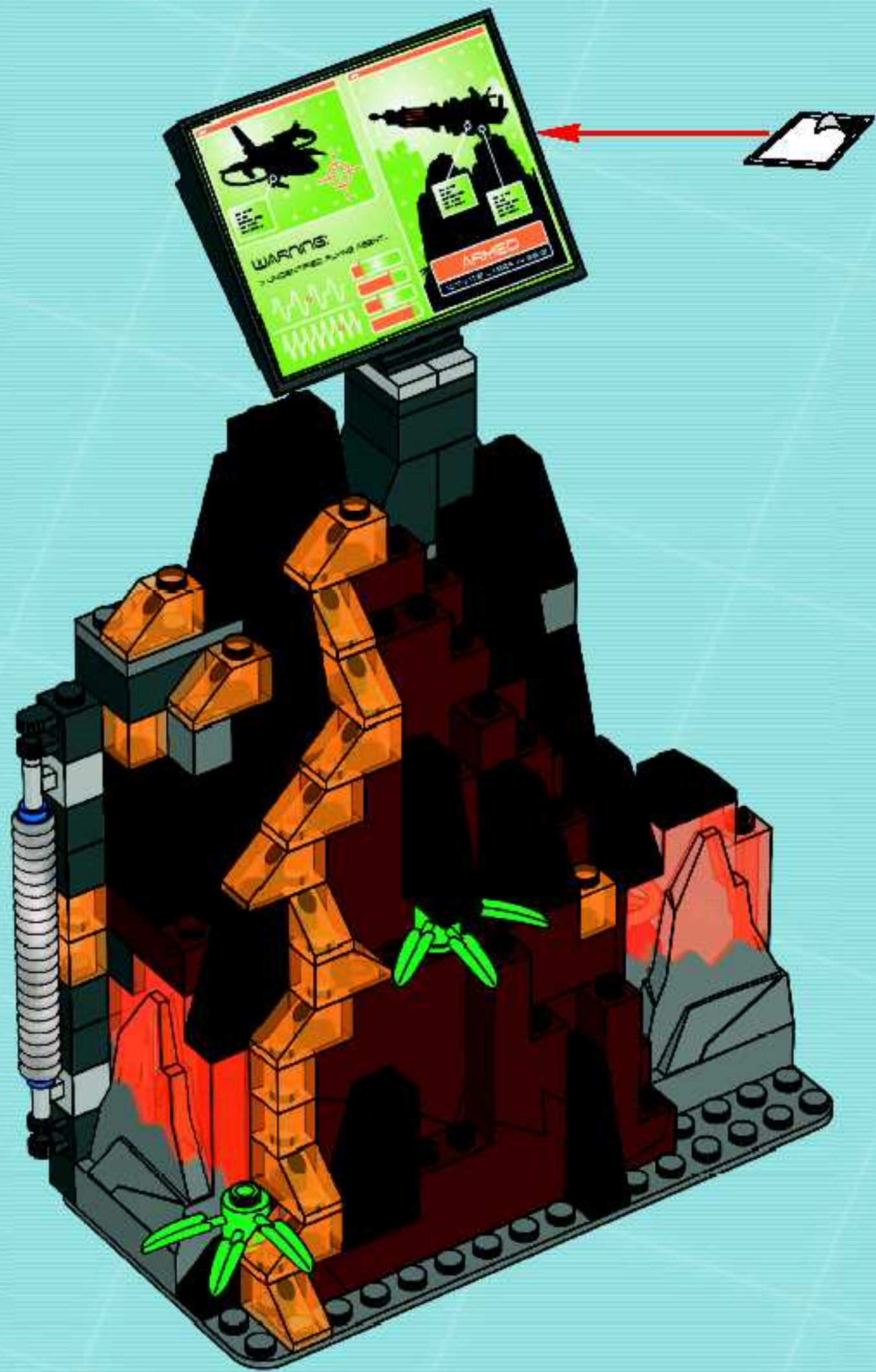
28



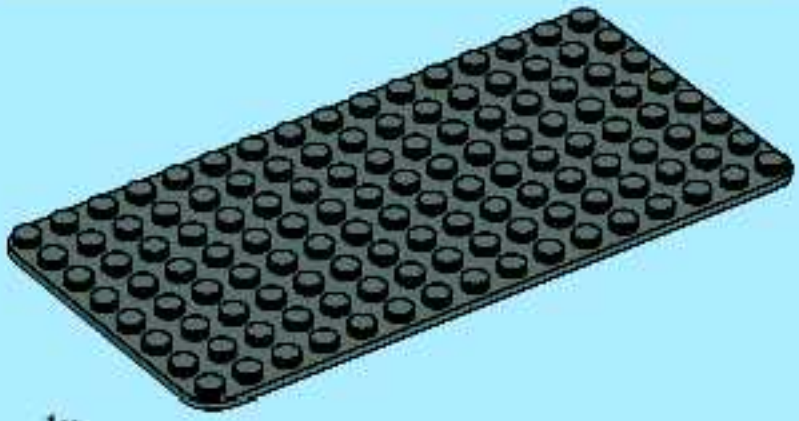
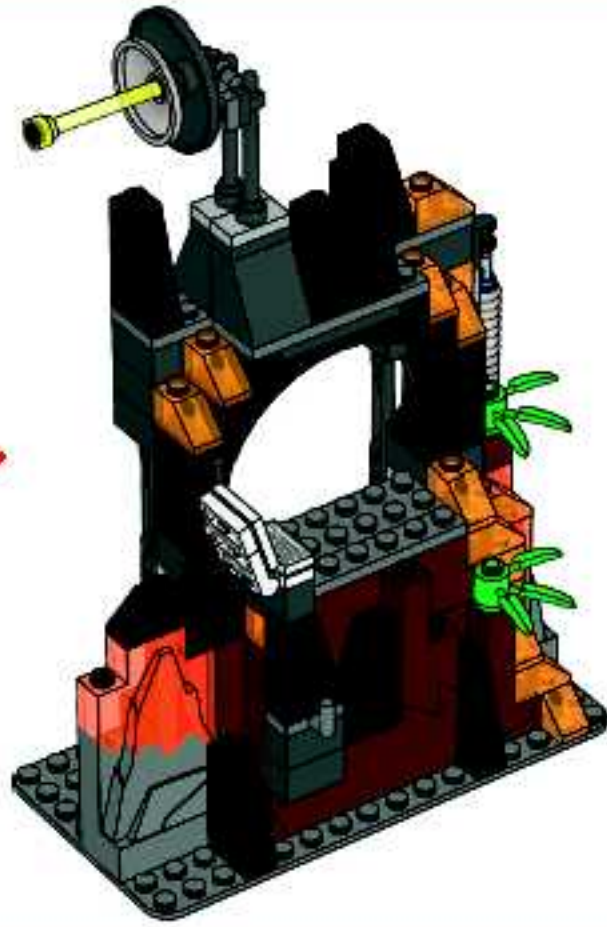


29



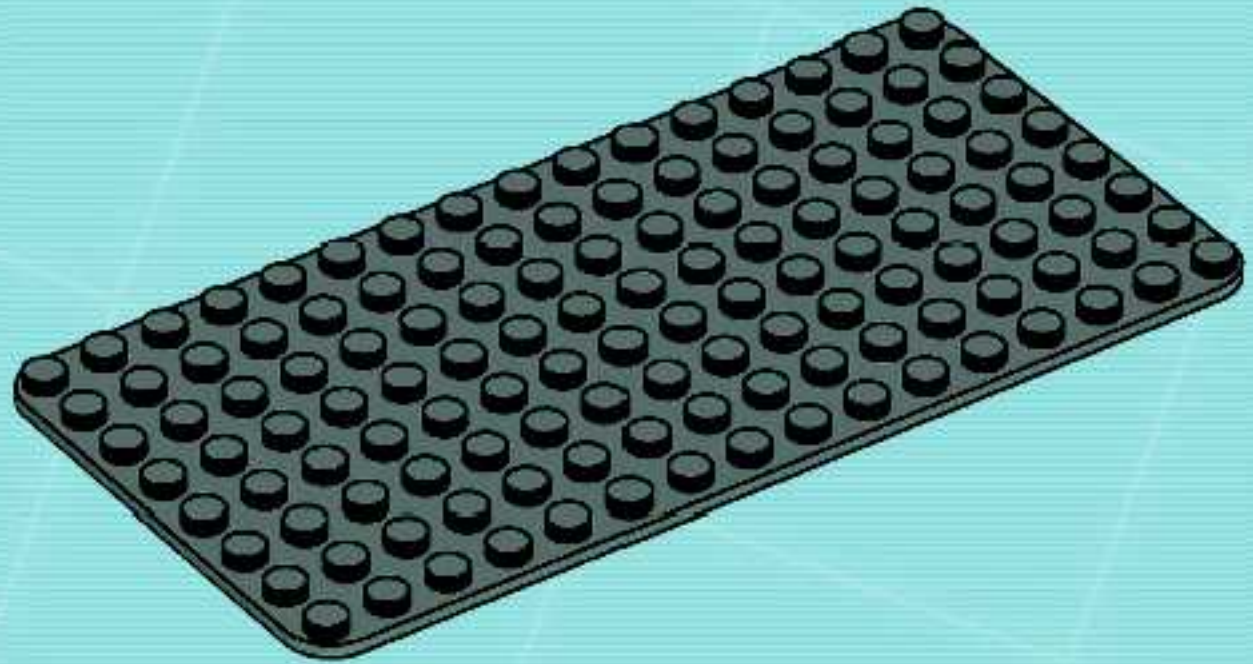


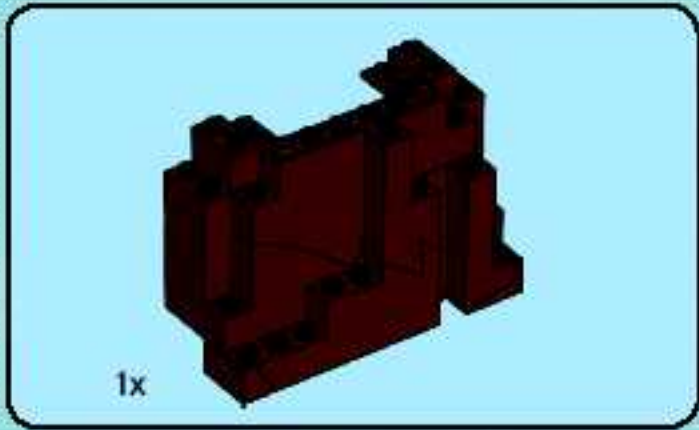




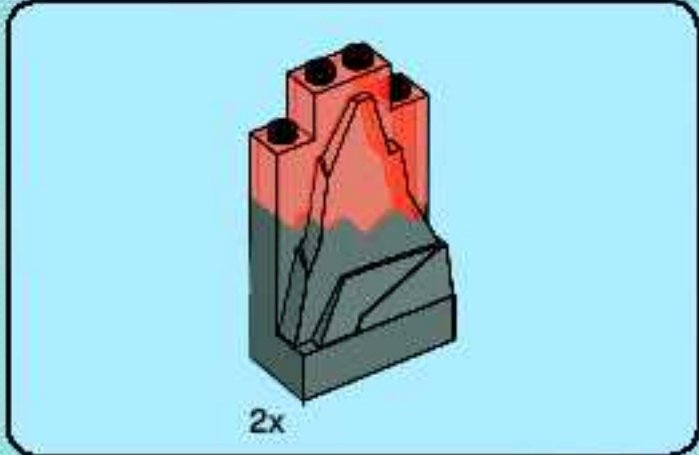
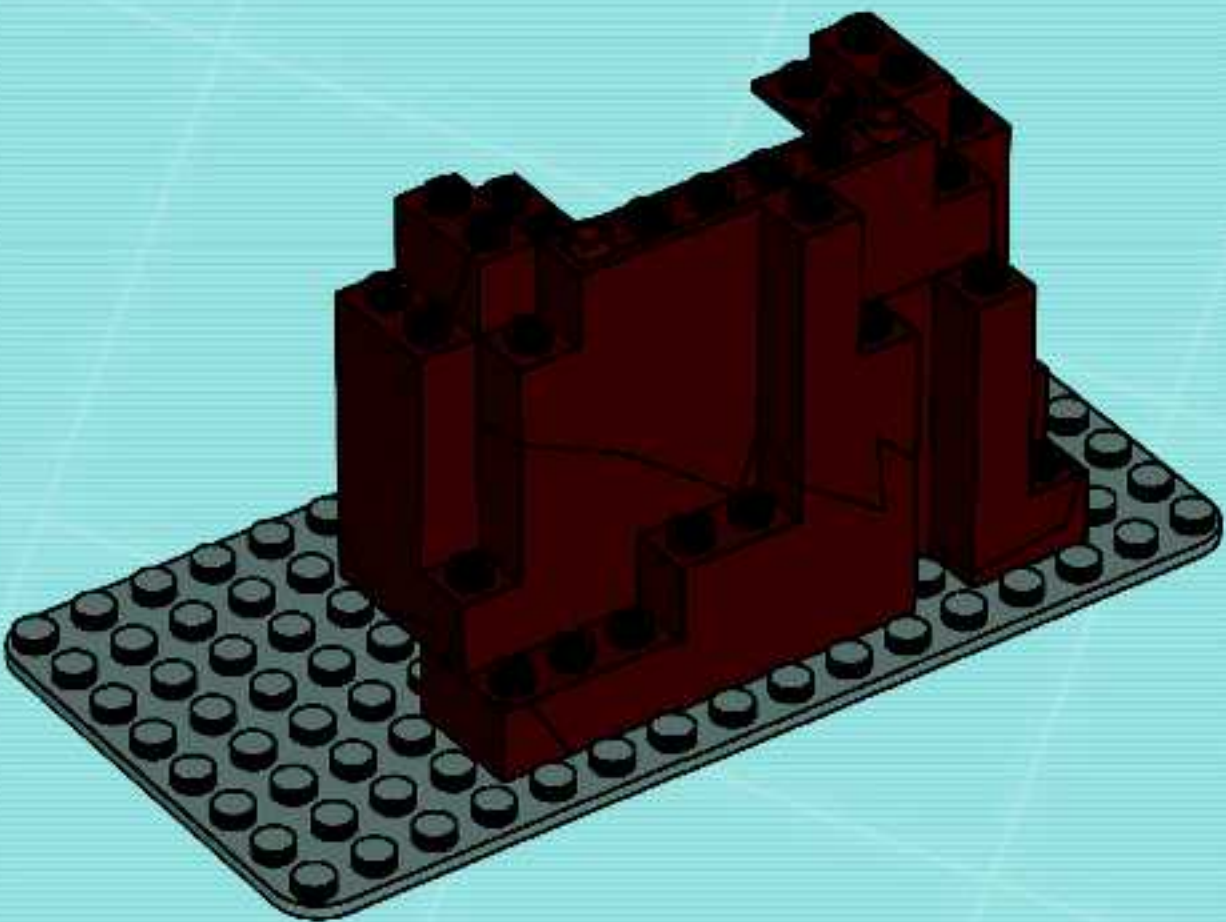
1x

1

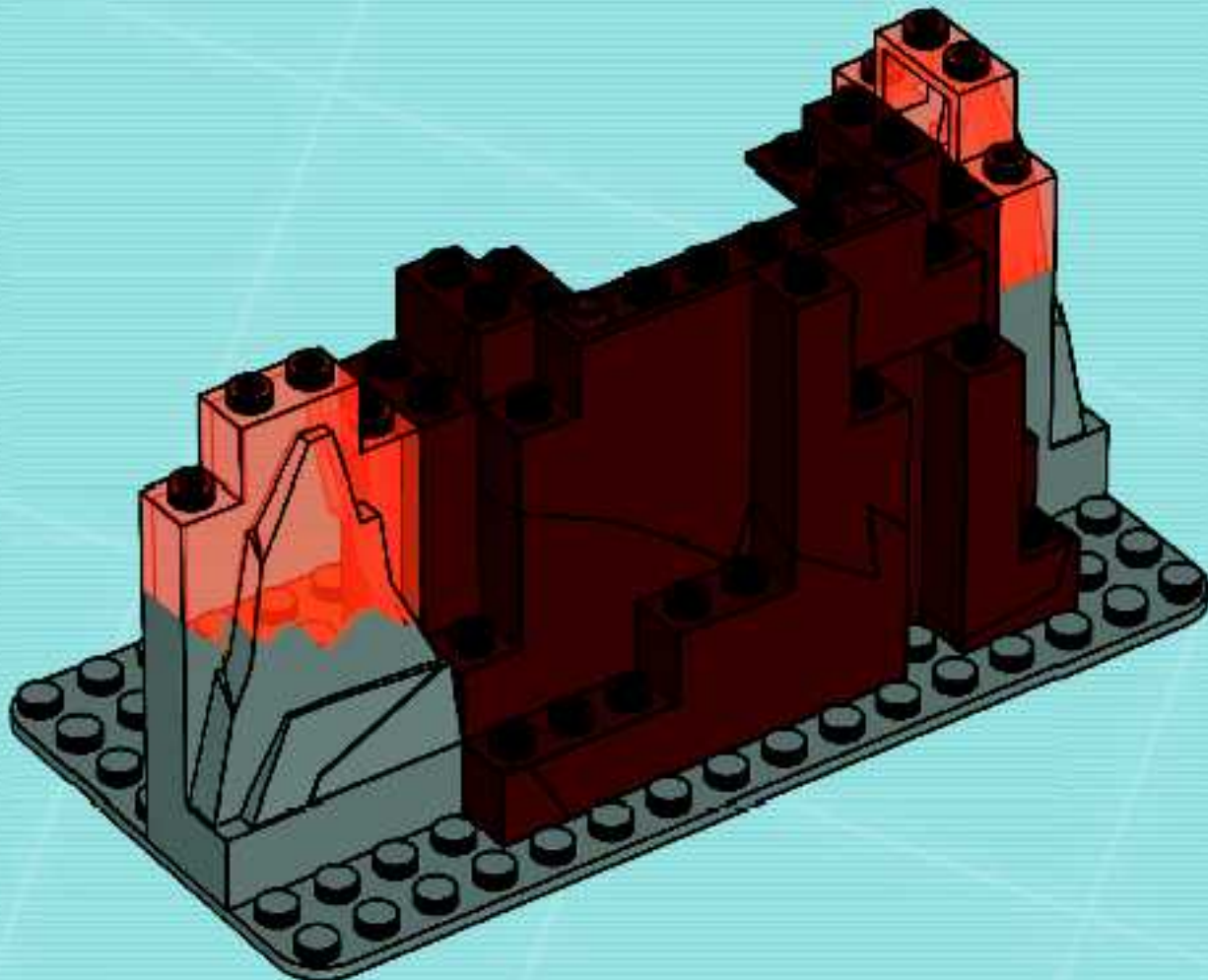


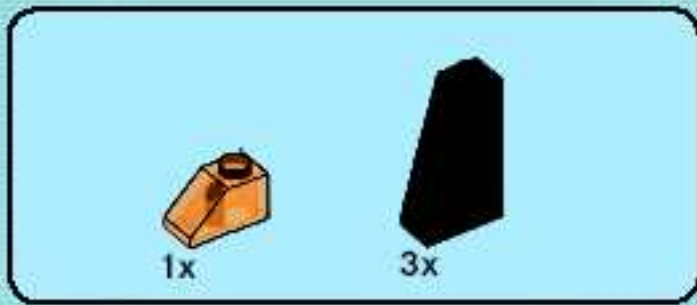


2

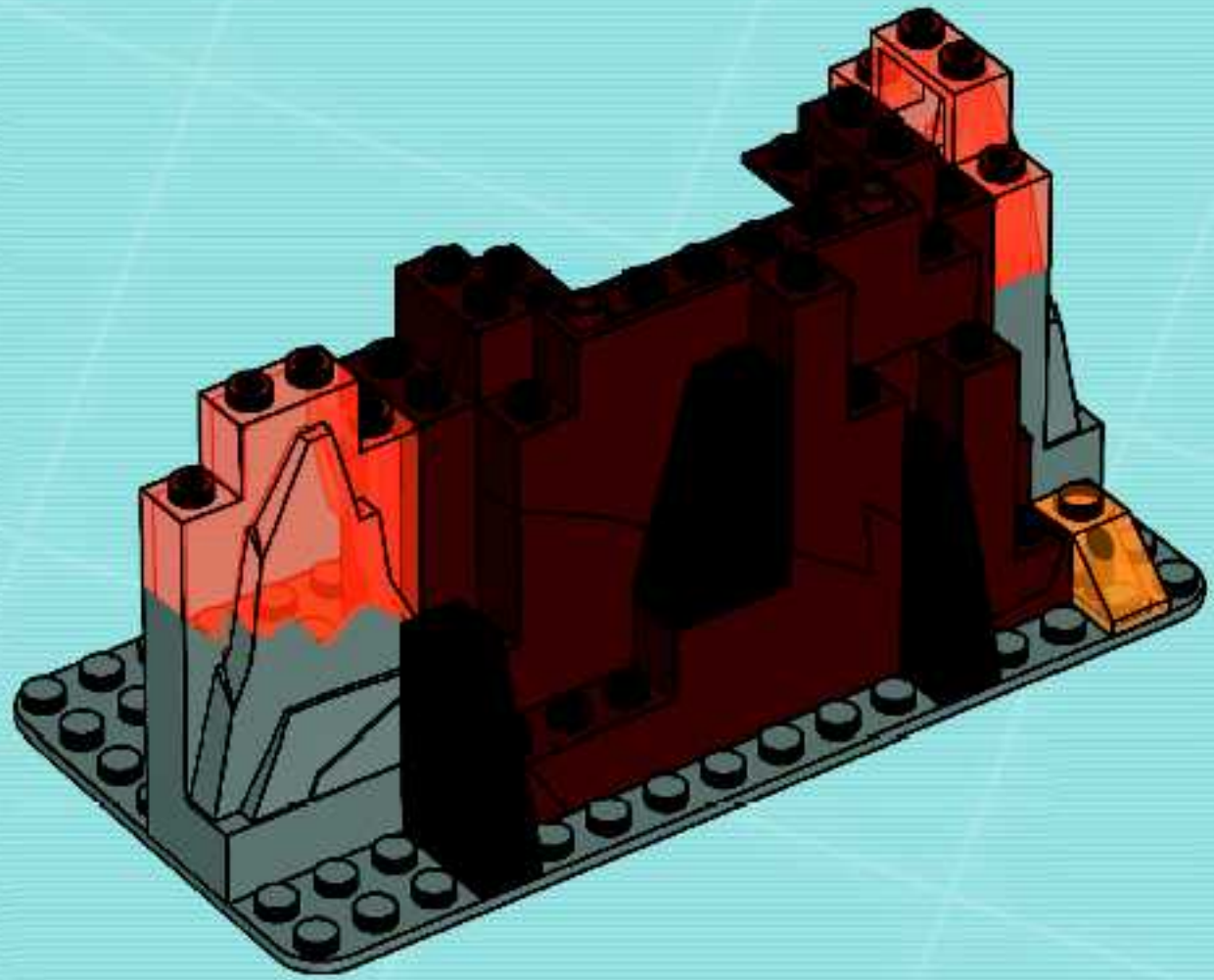


3

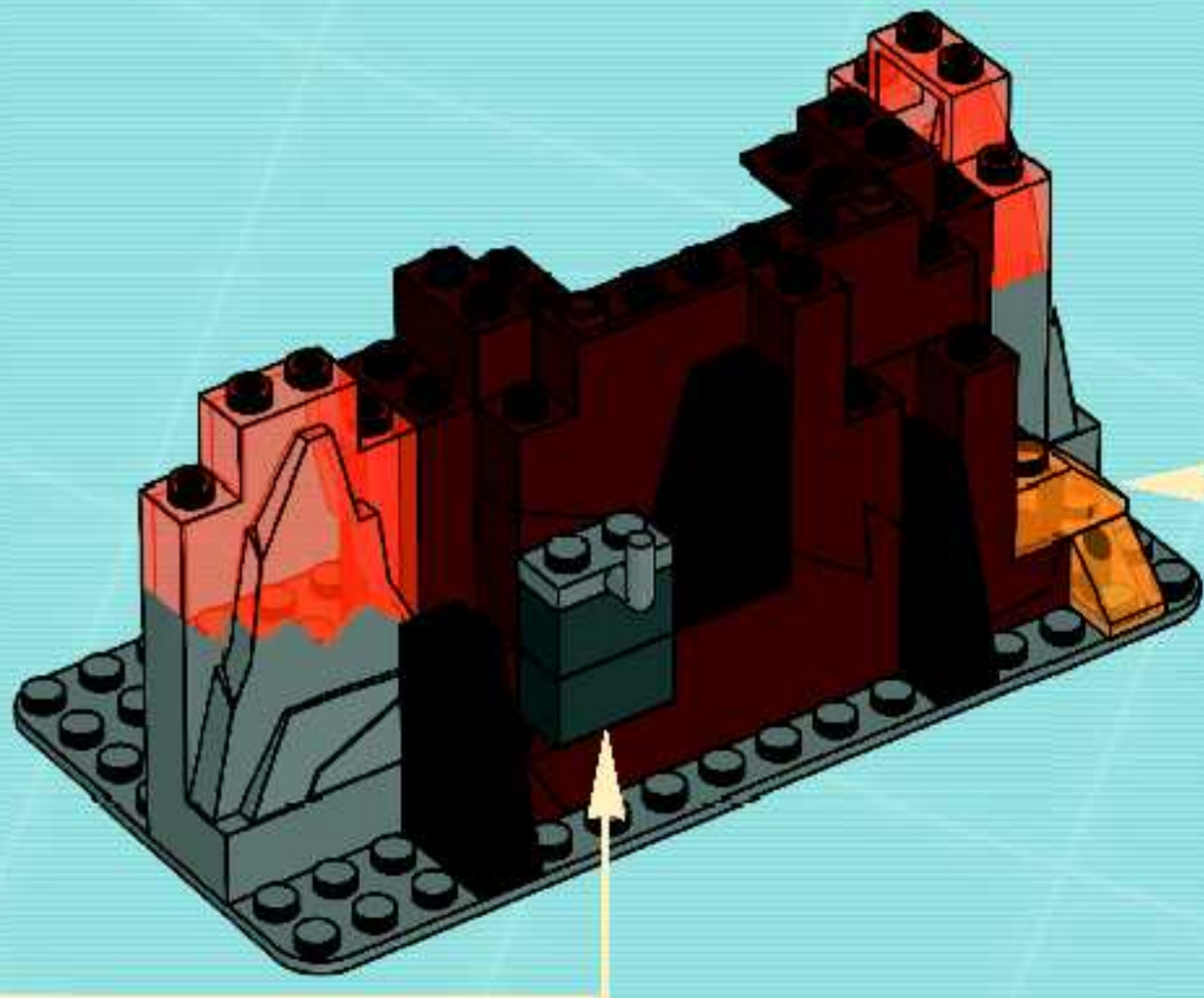
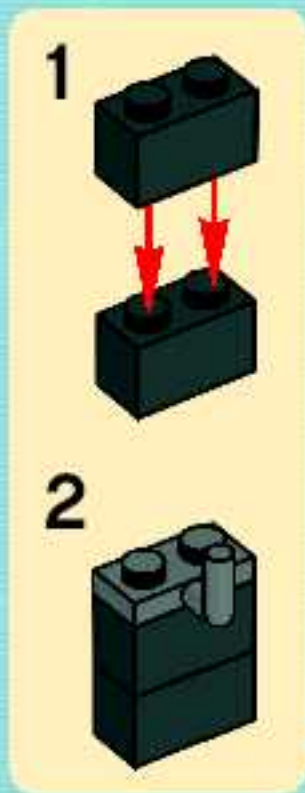


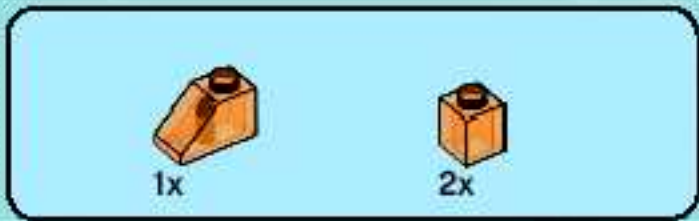


4

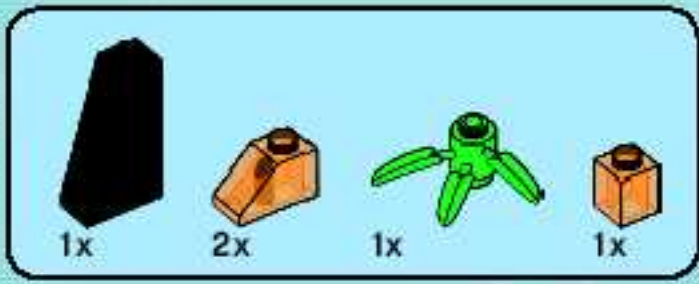
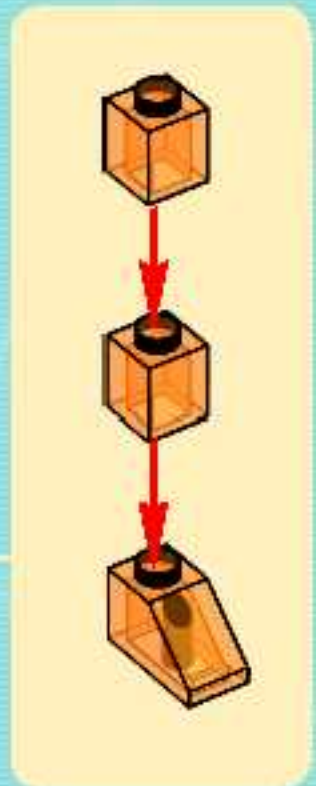
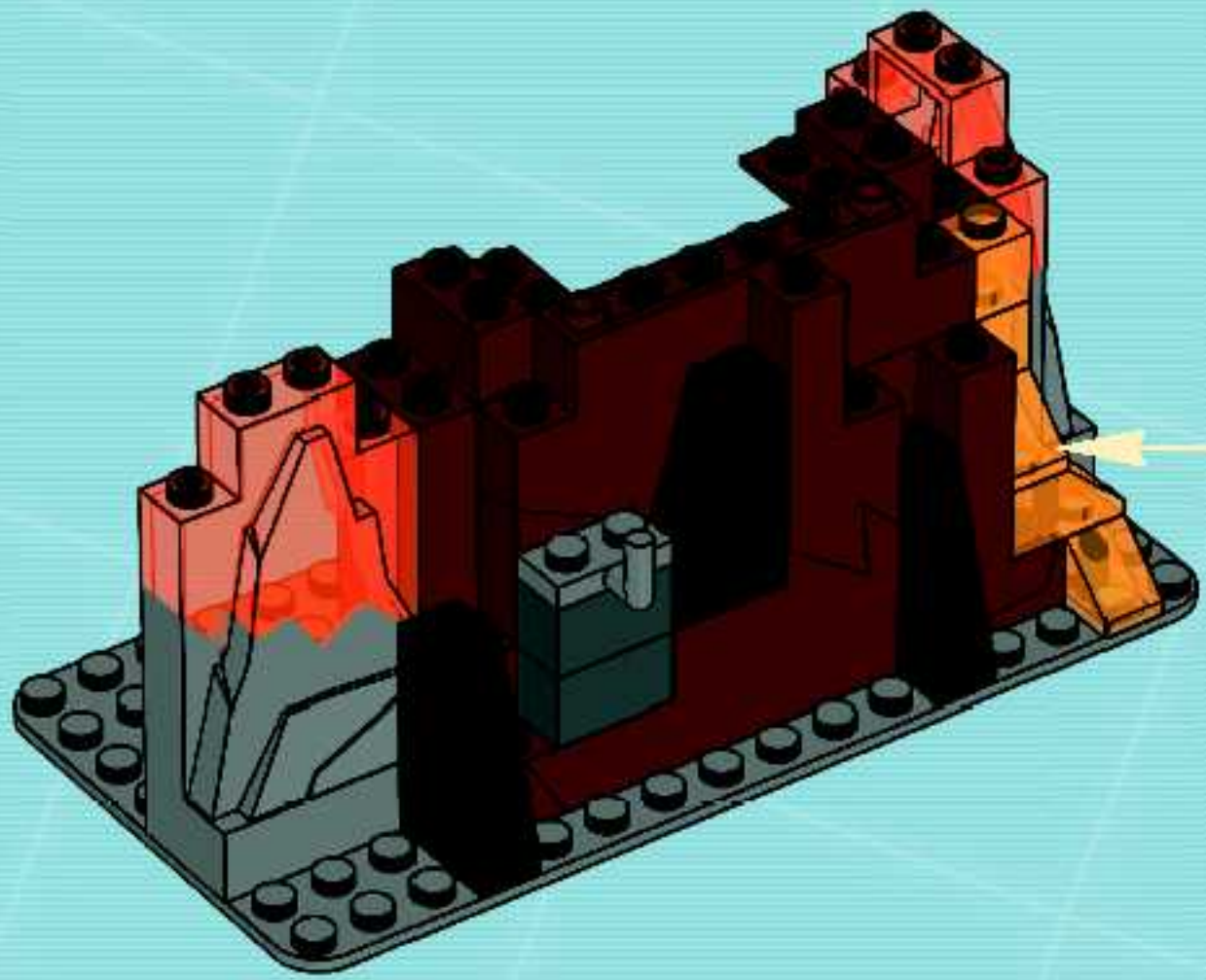


5

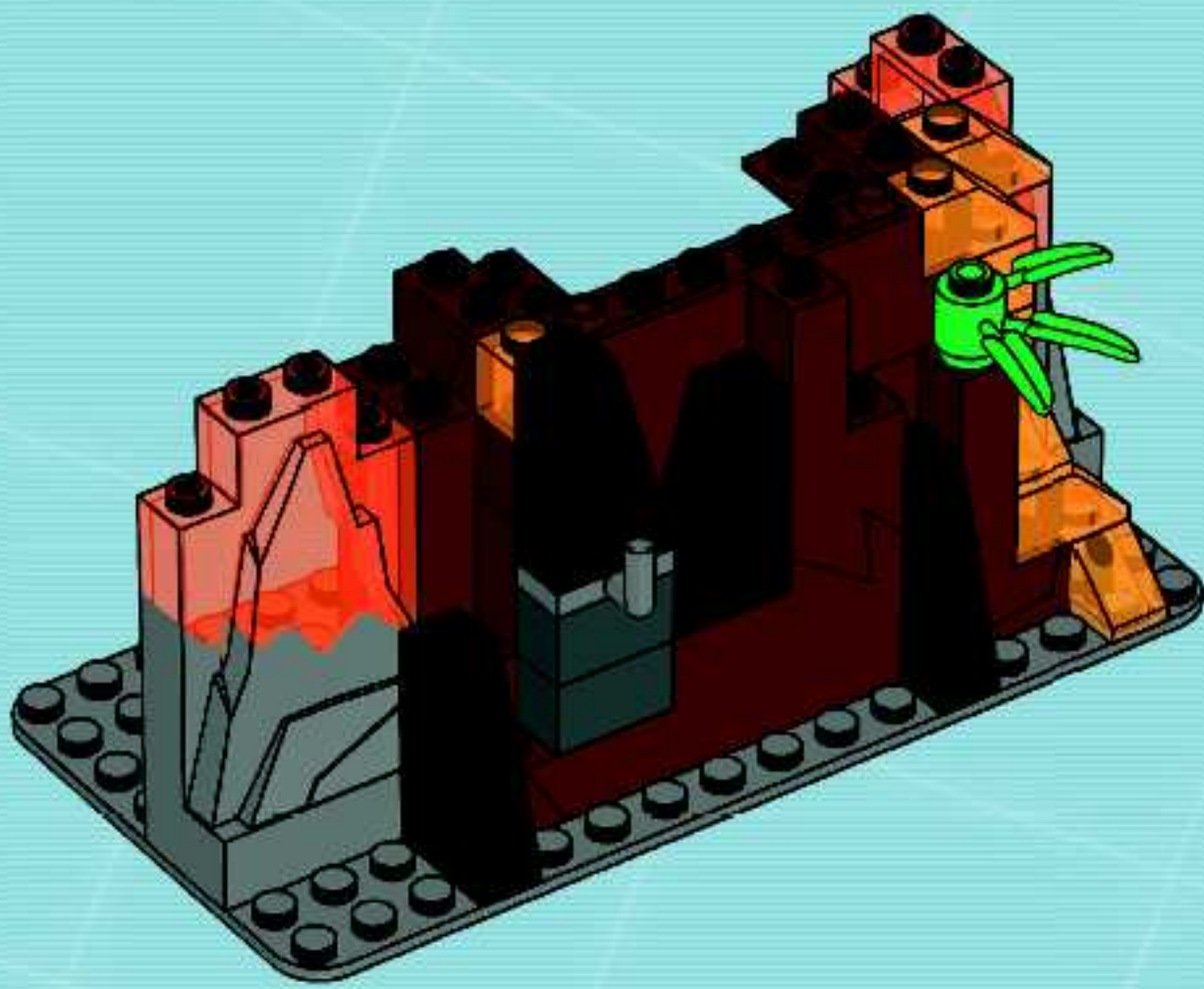


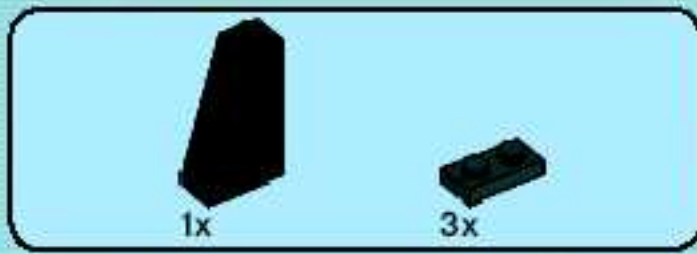


6

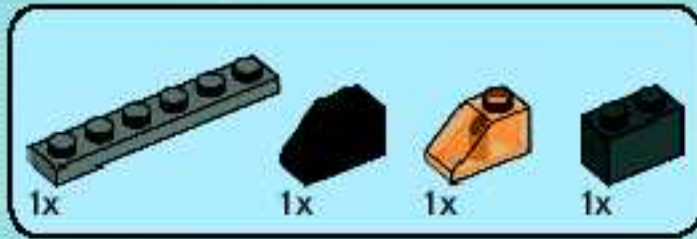
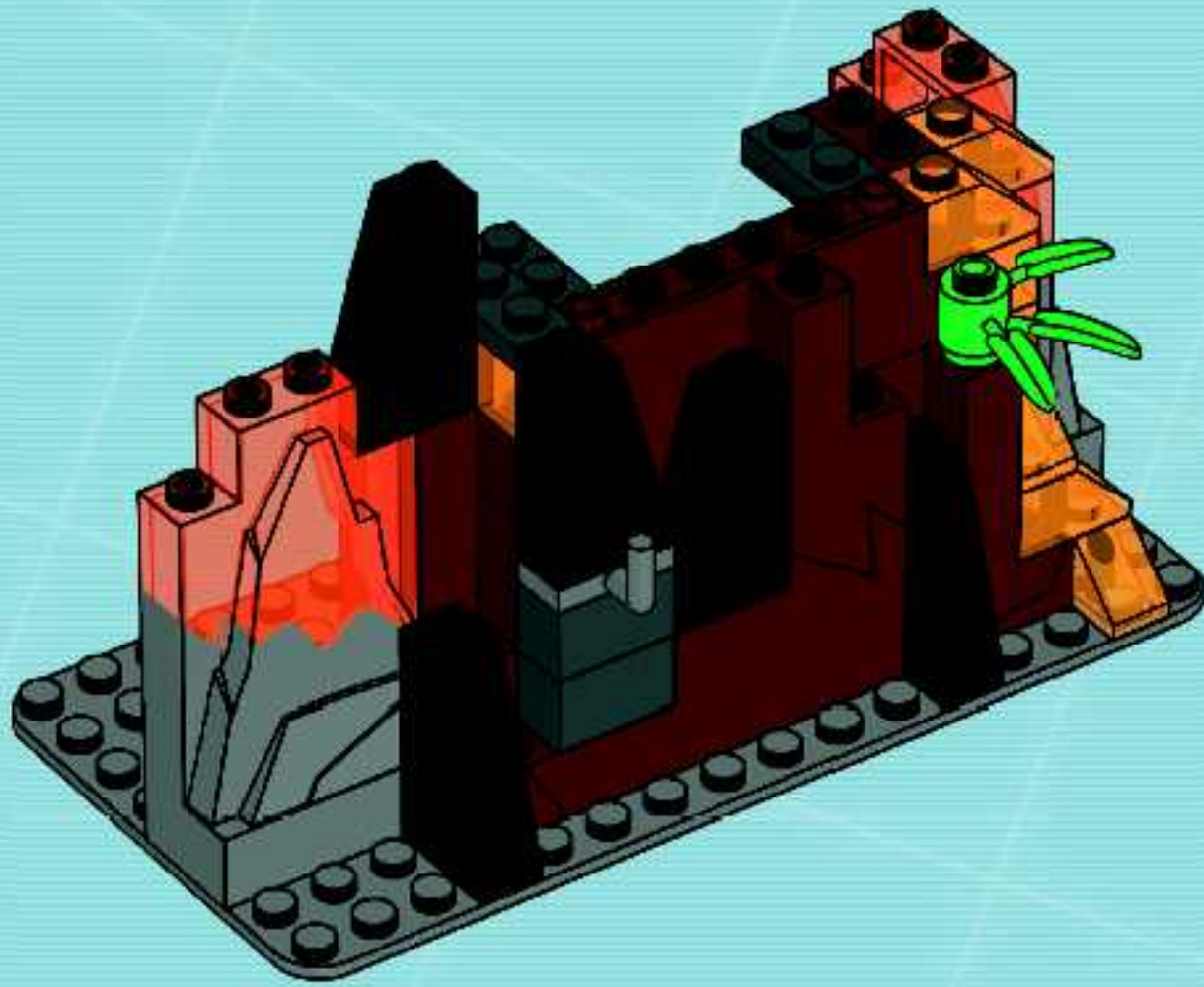


7

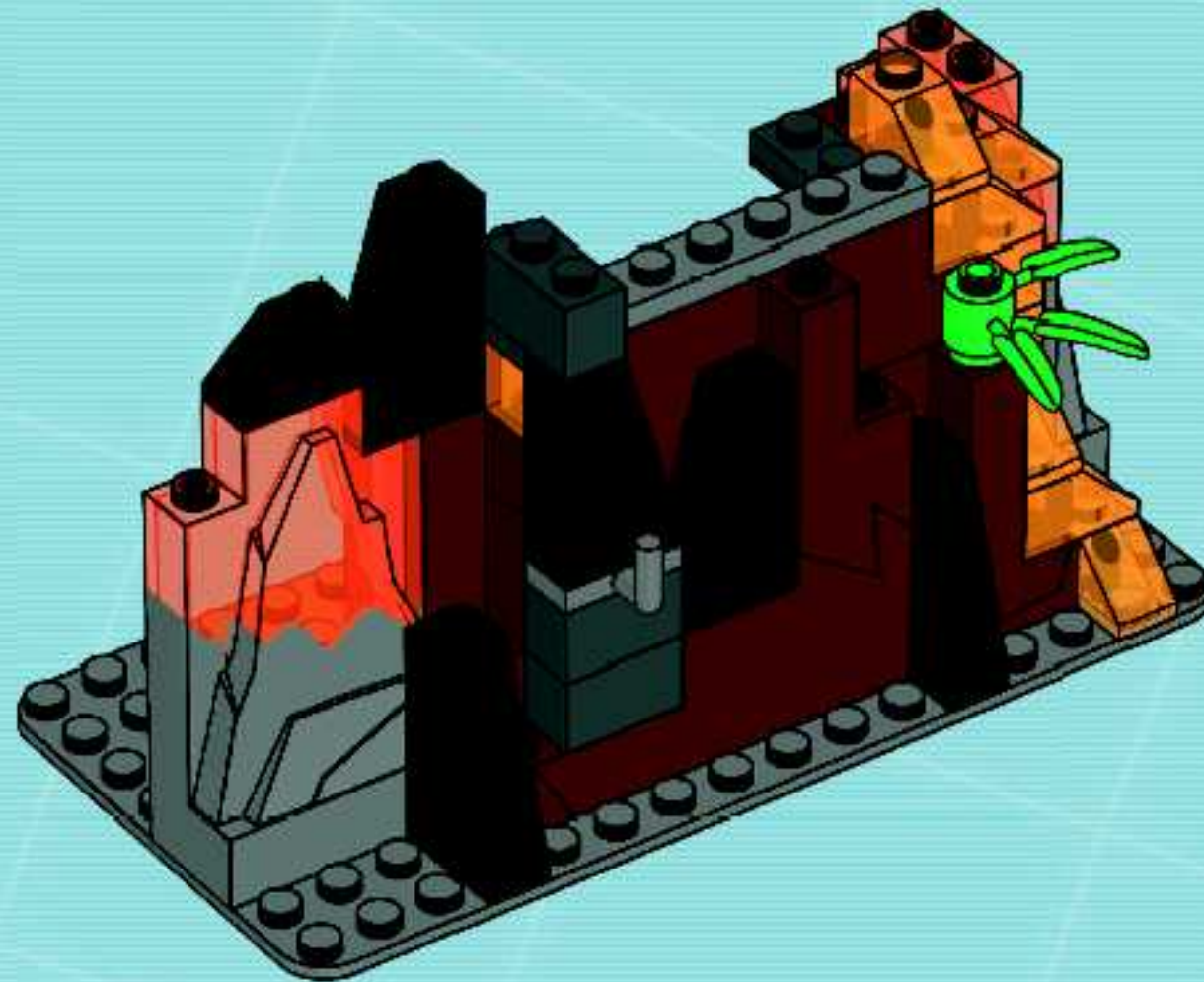


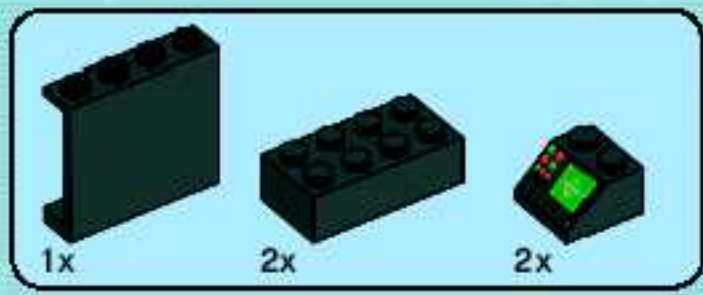


8

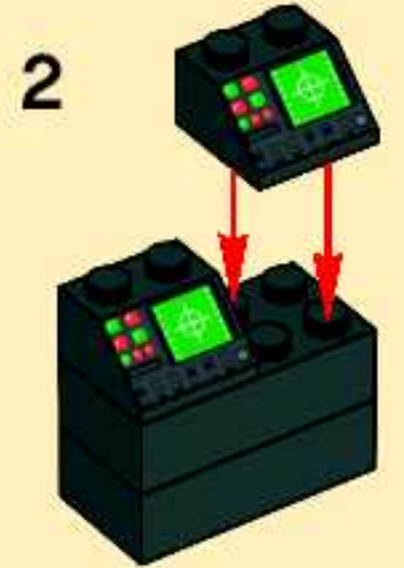
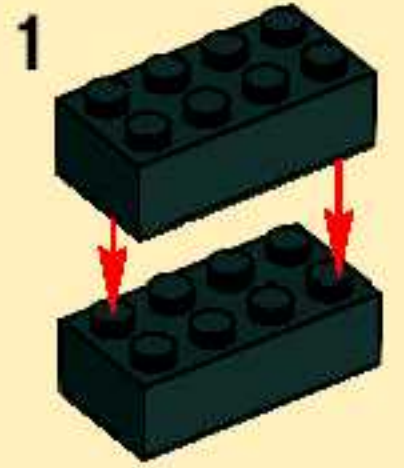


9



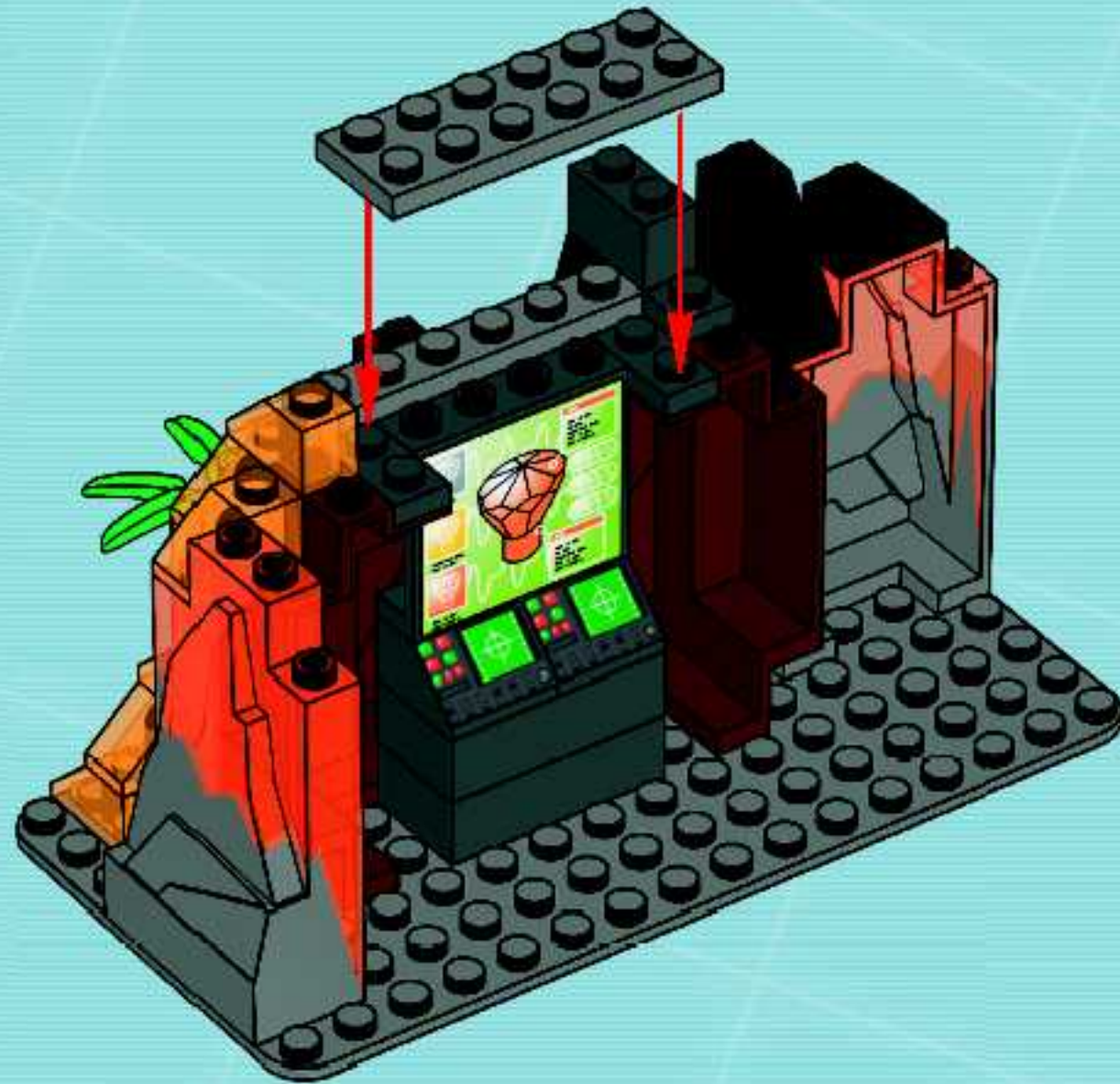


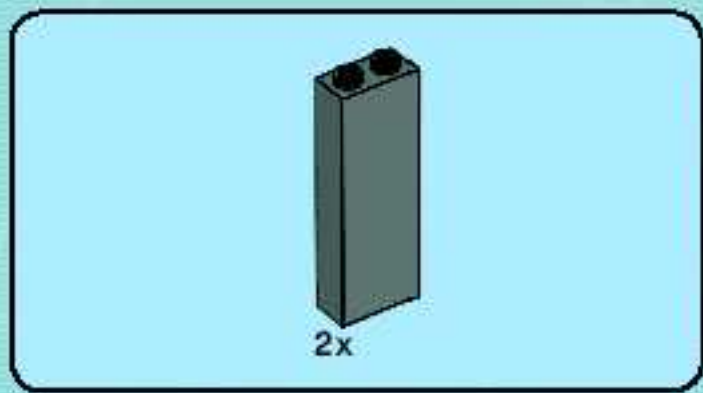
10



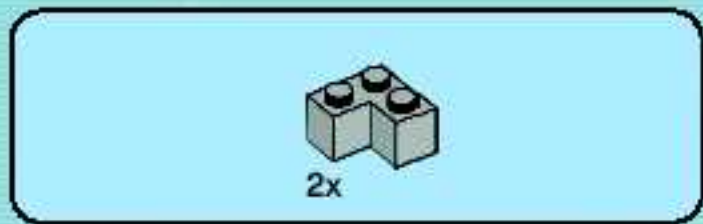
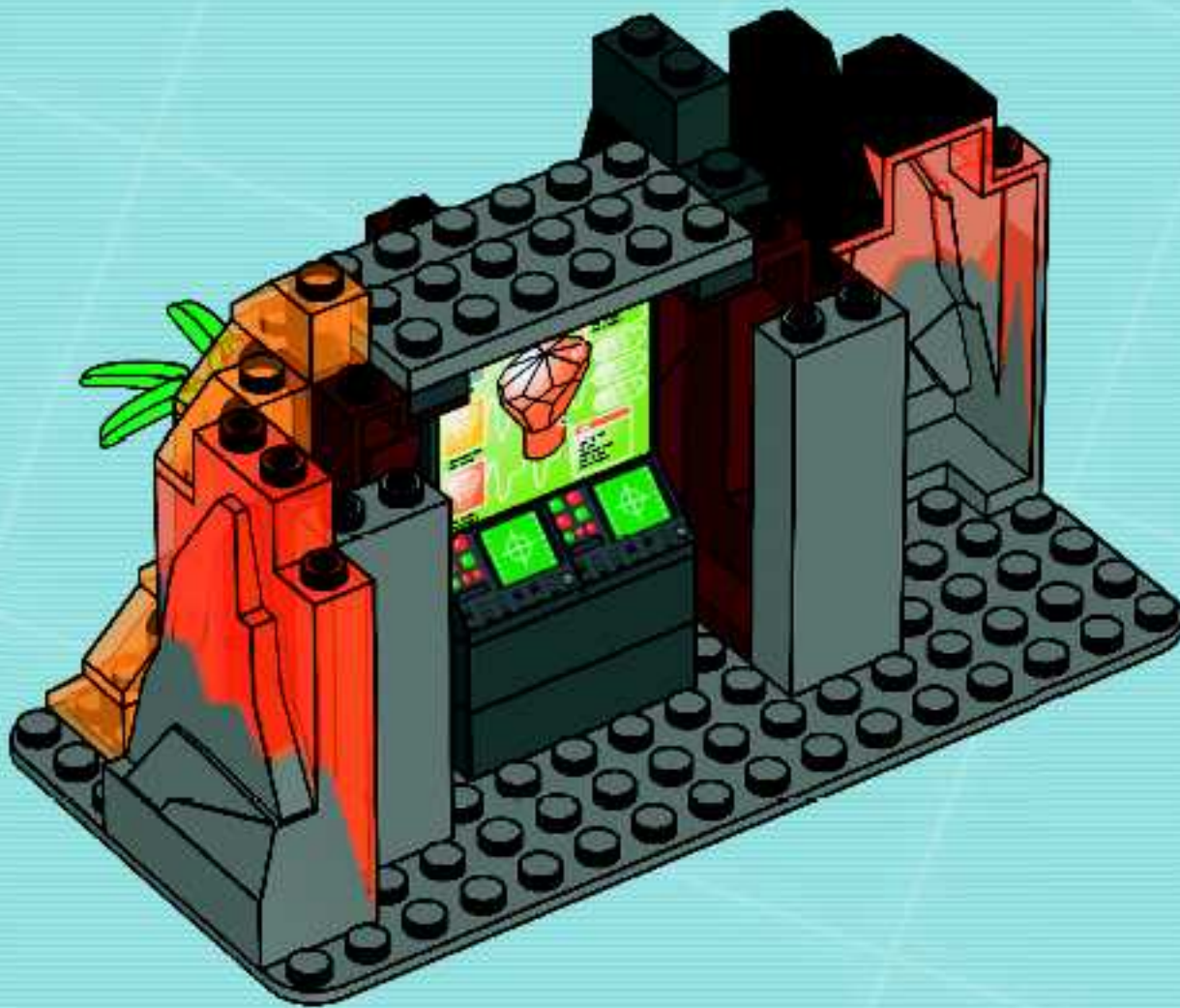


11

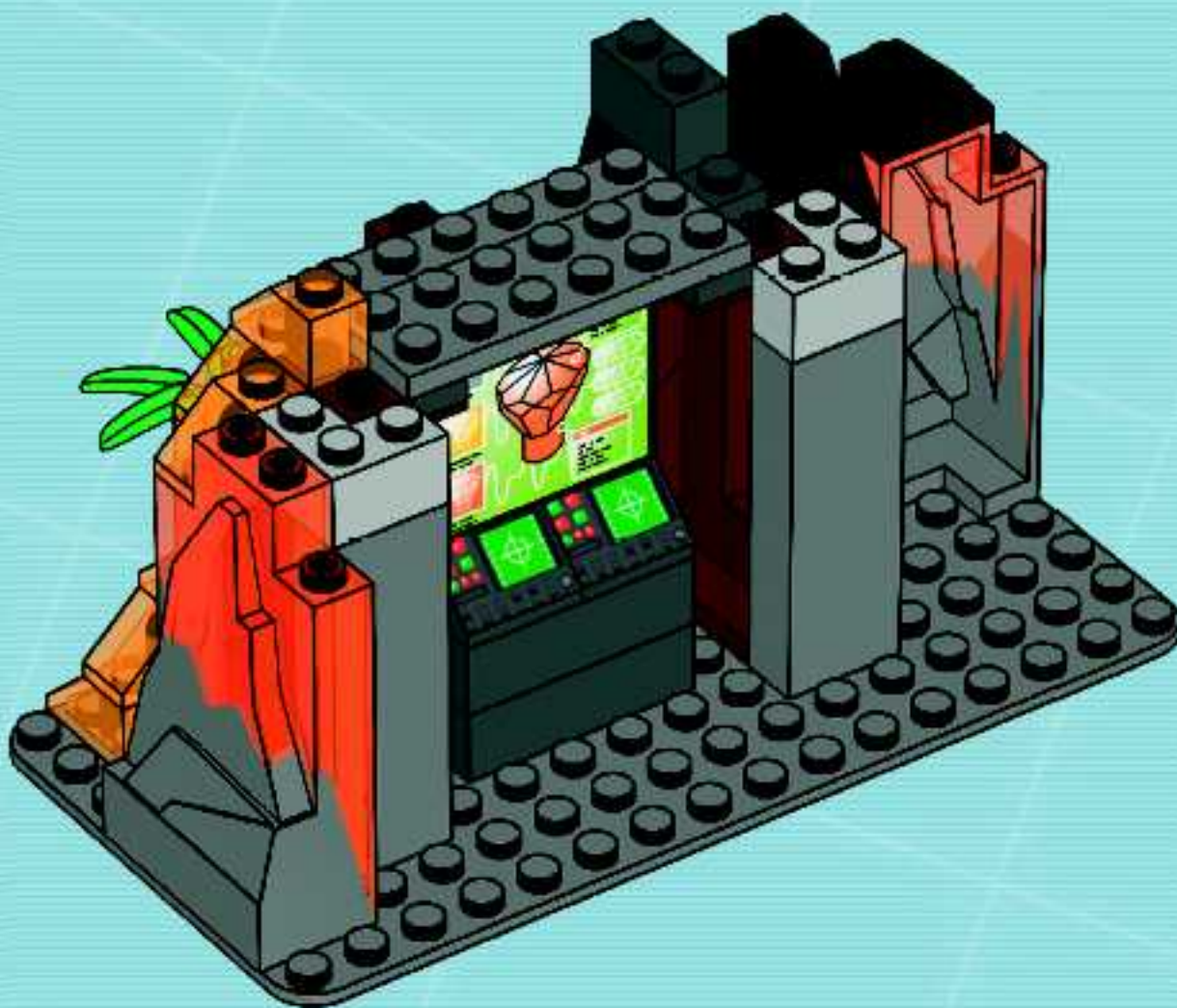




12



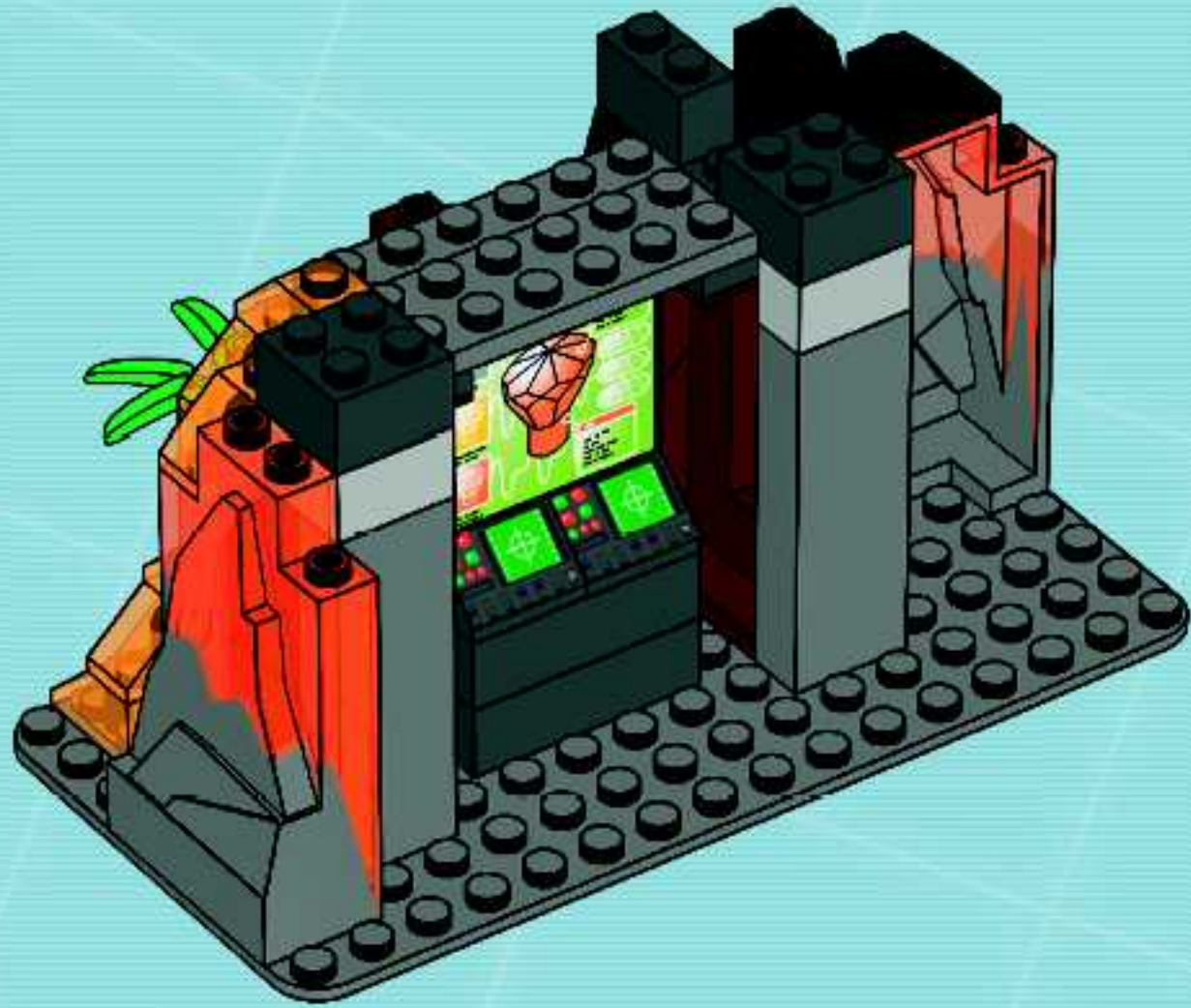
13





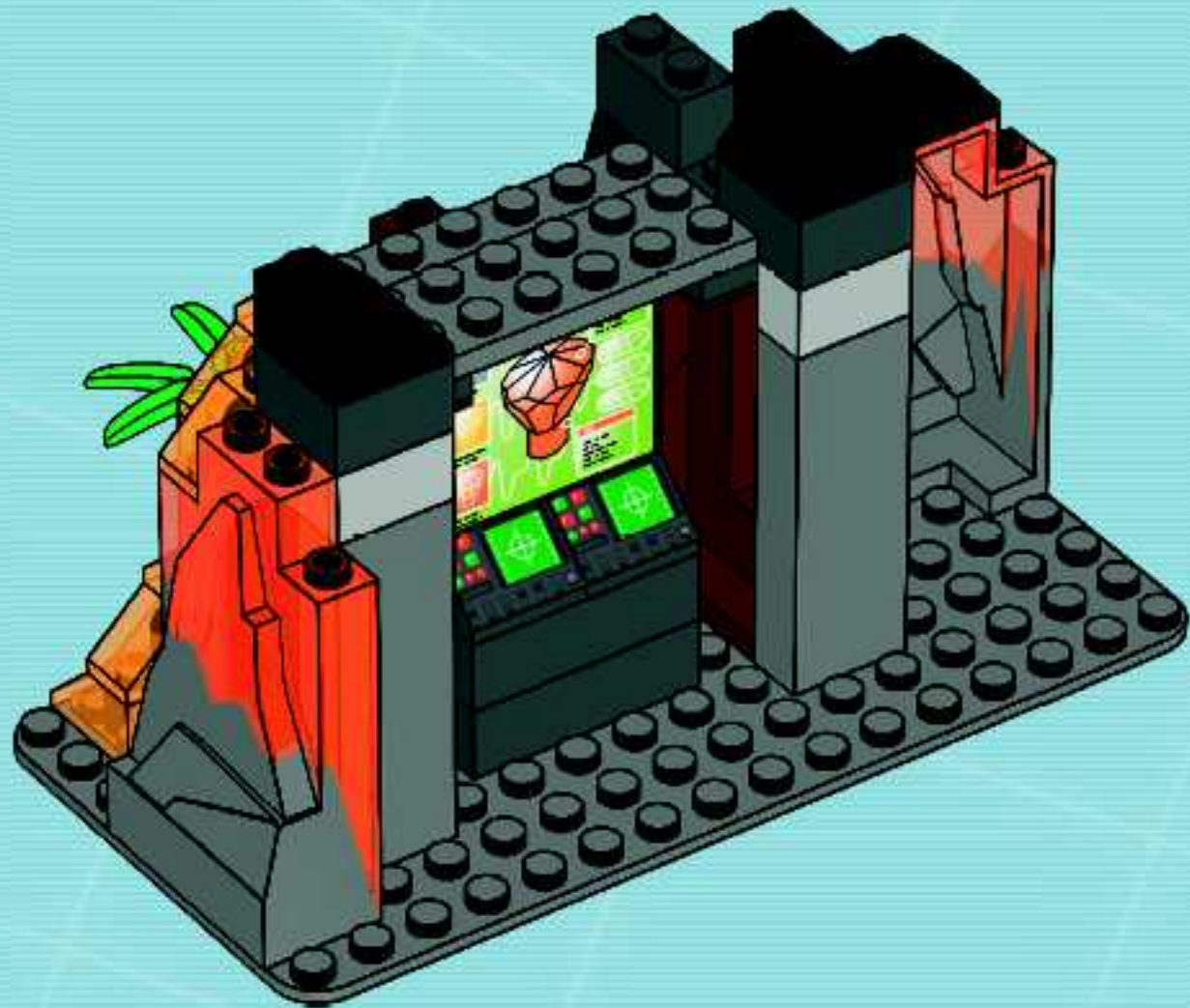
2x

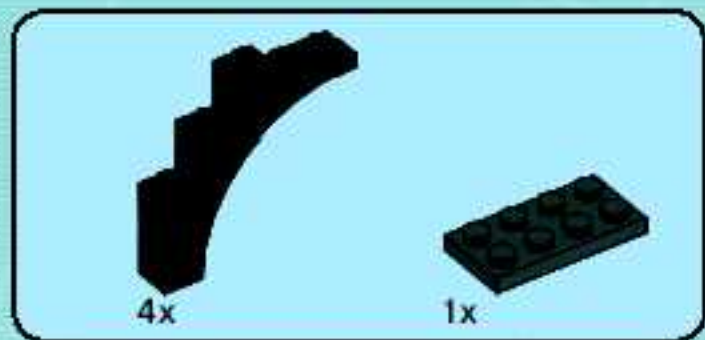
14



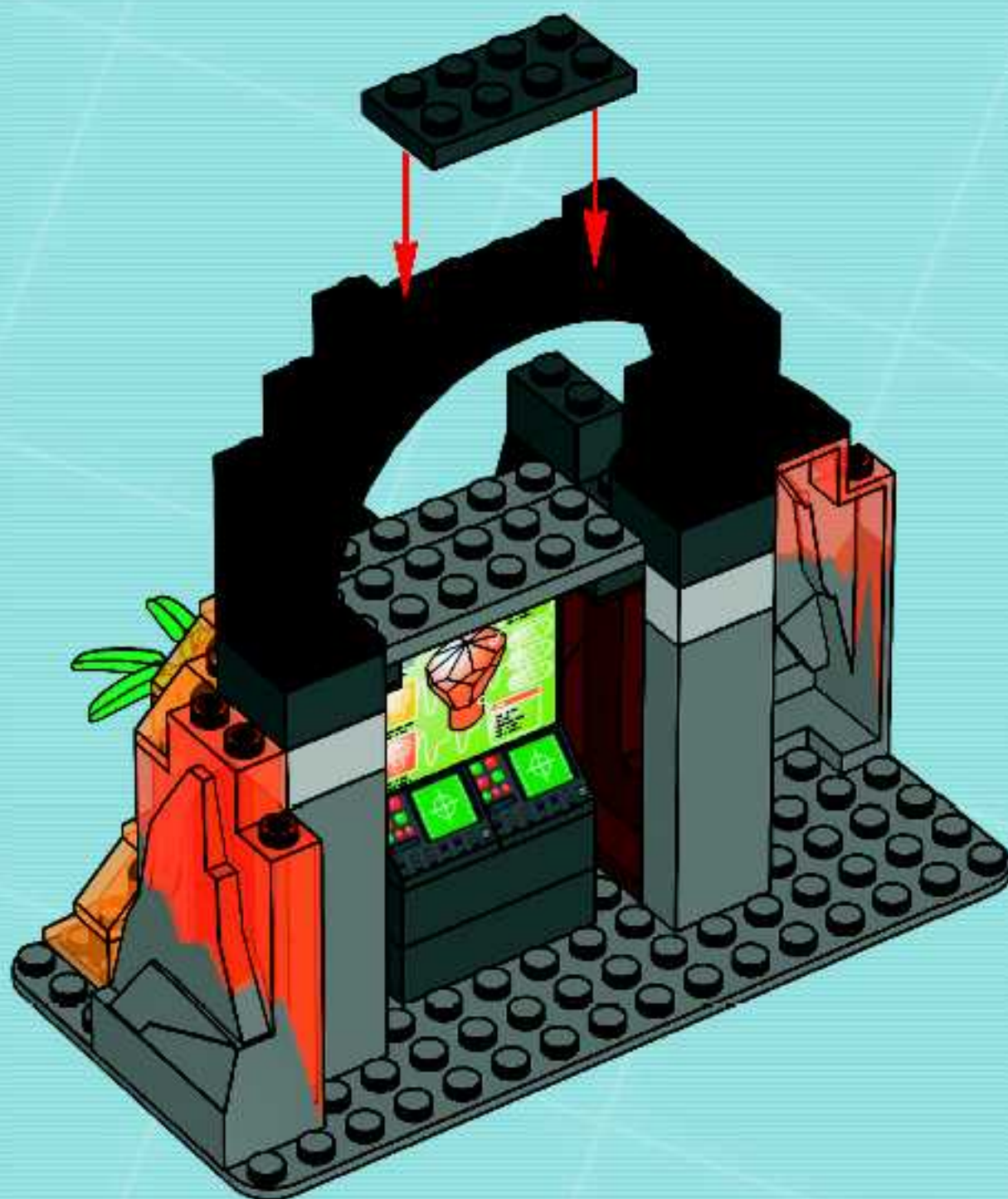
4x

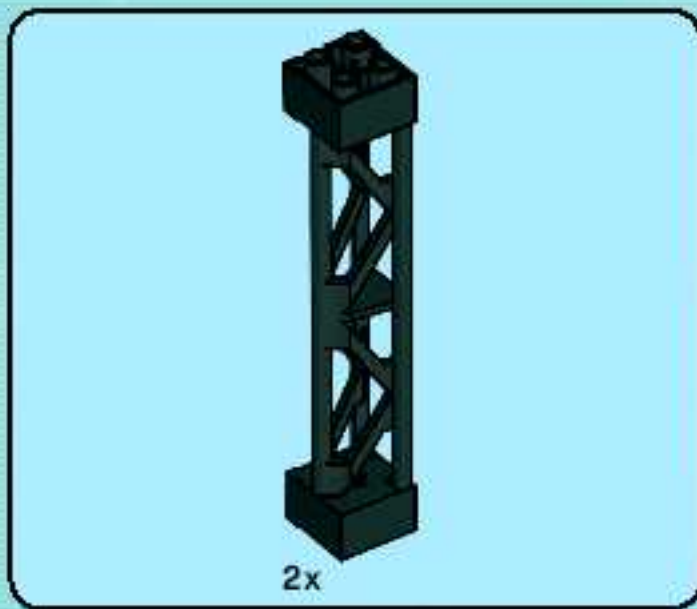
15





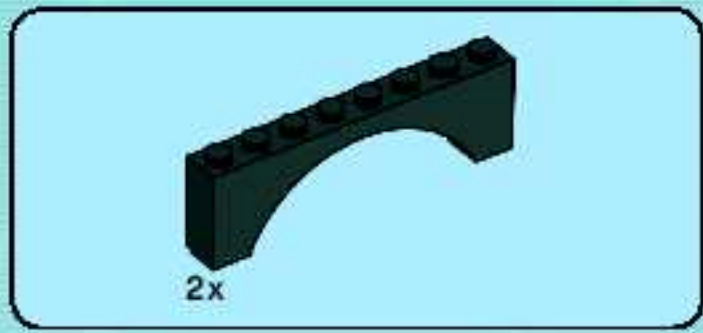
16



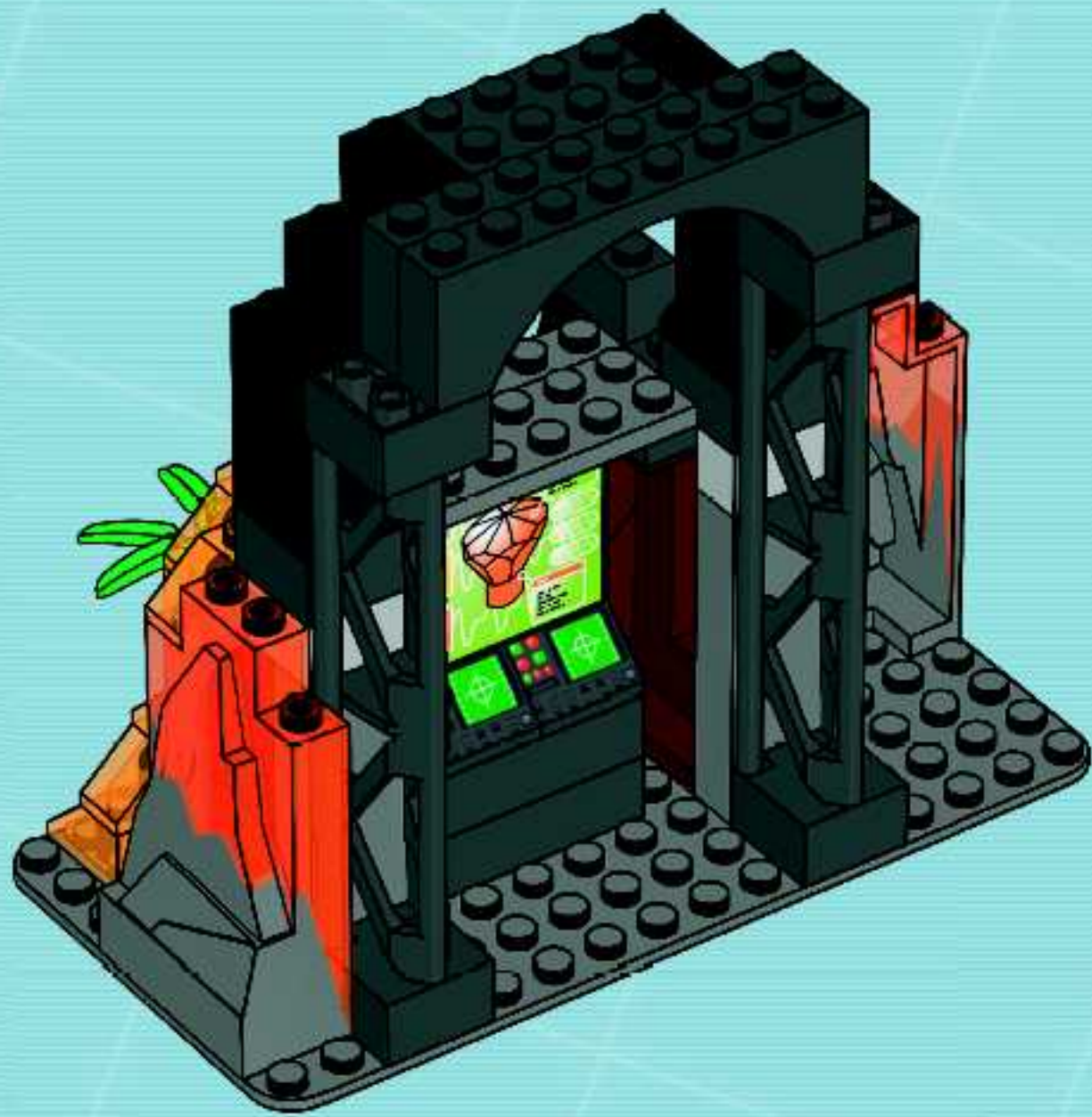


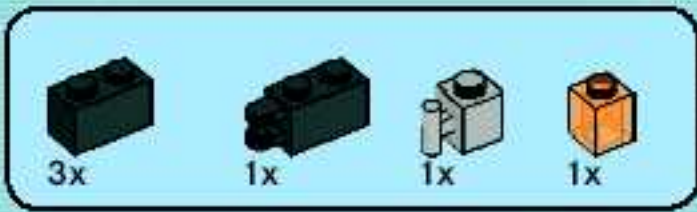
17



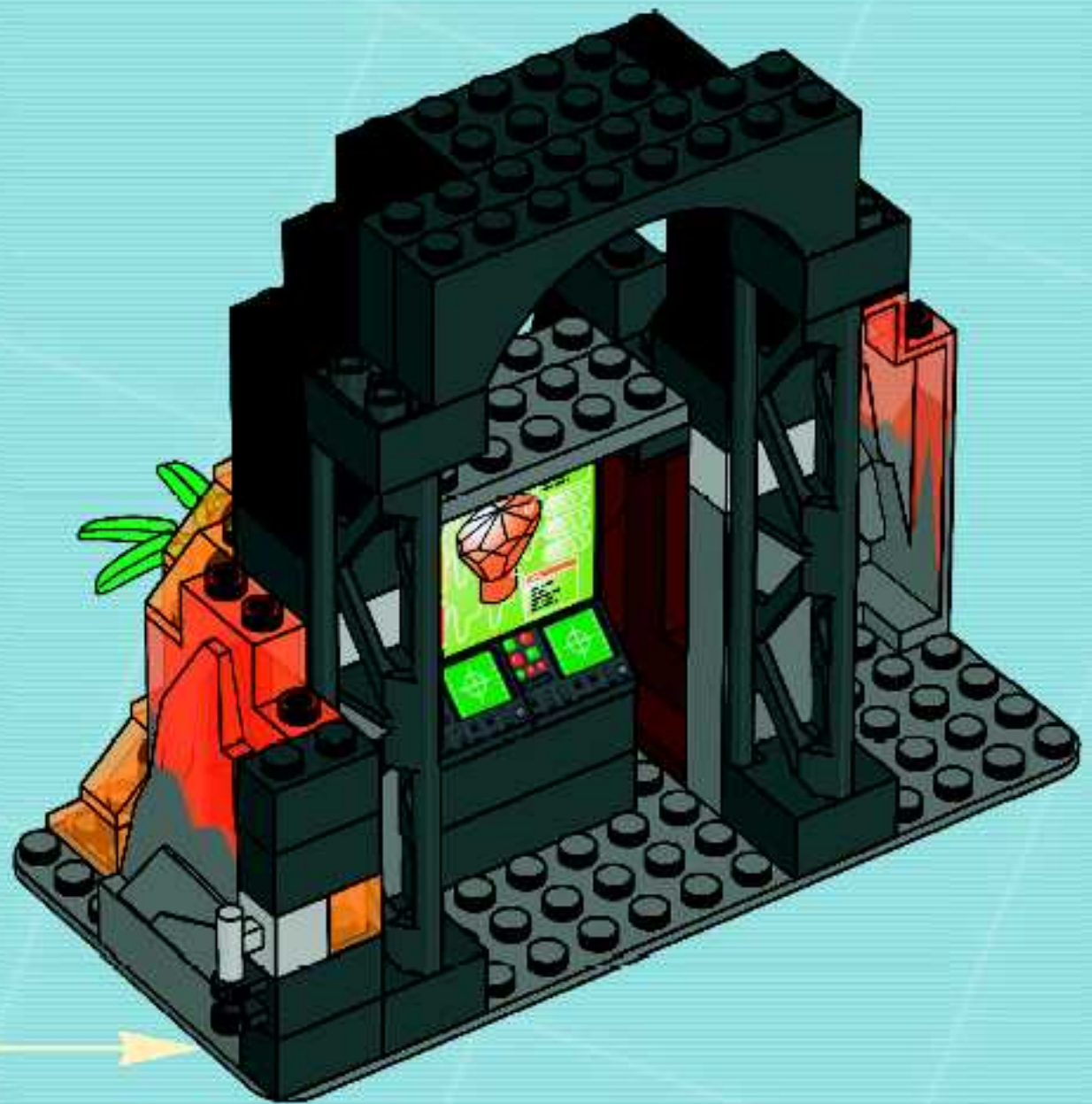
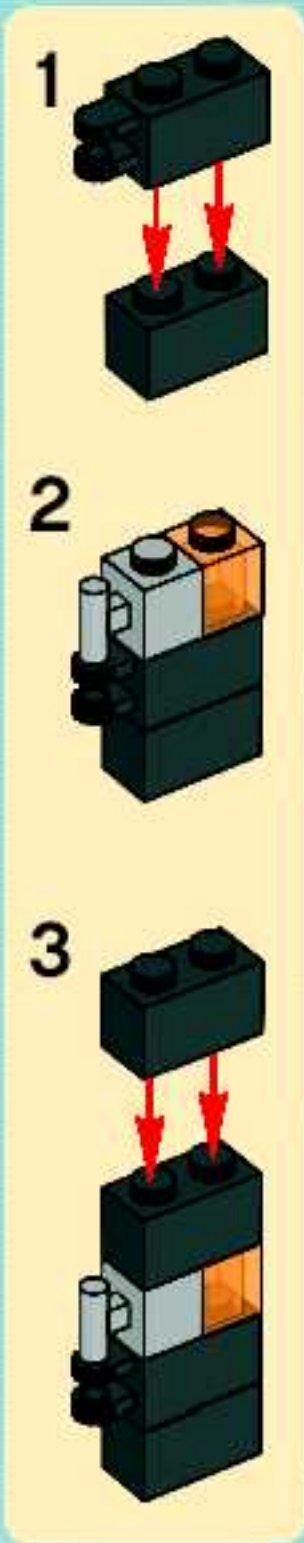


18





19



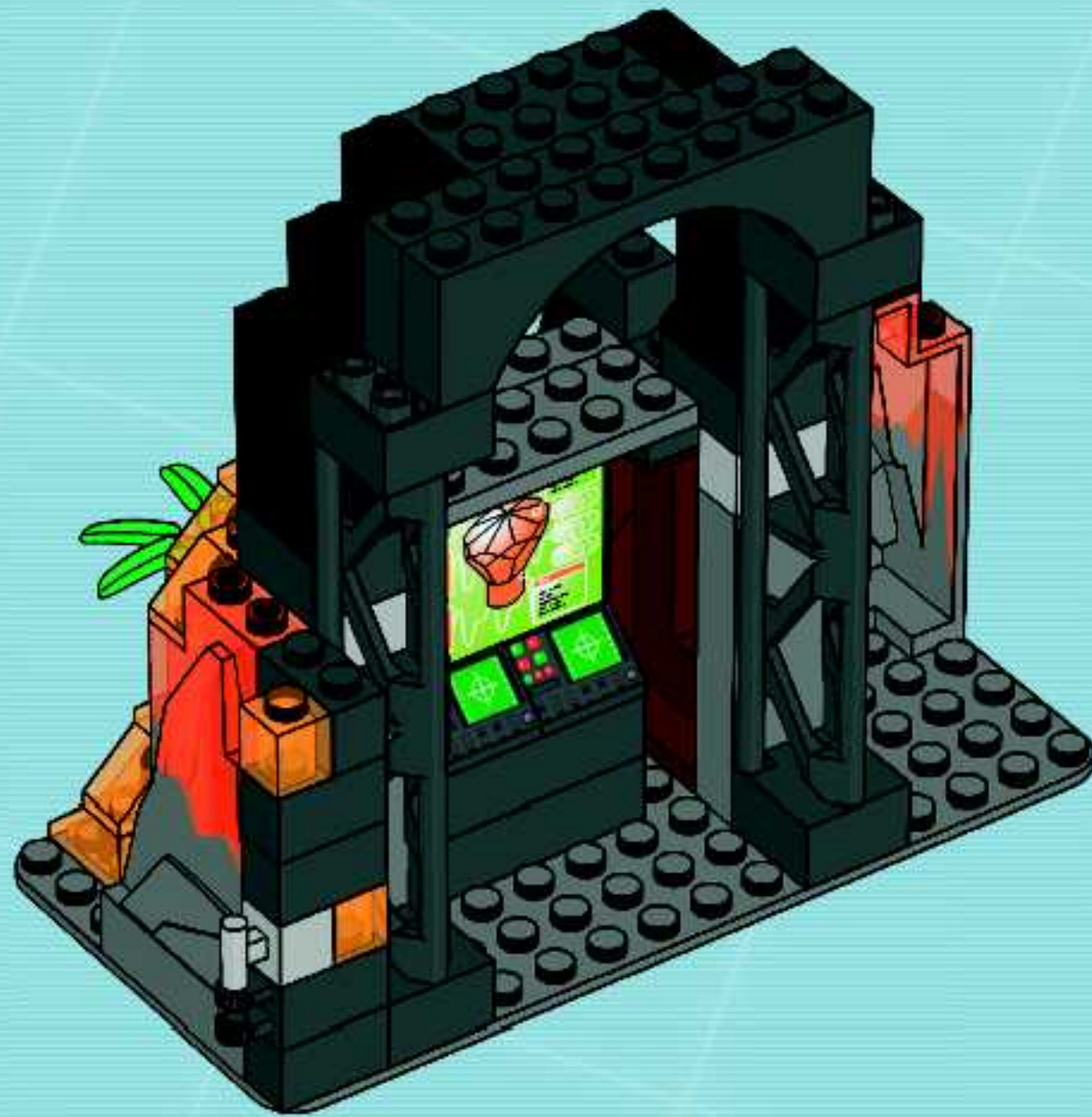


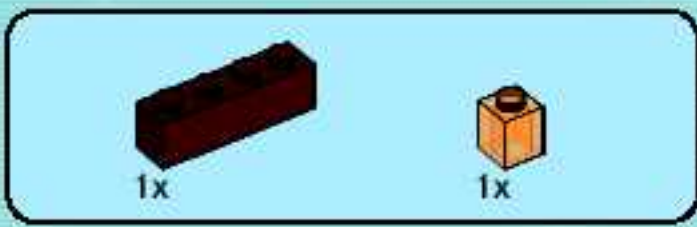
1x



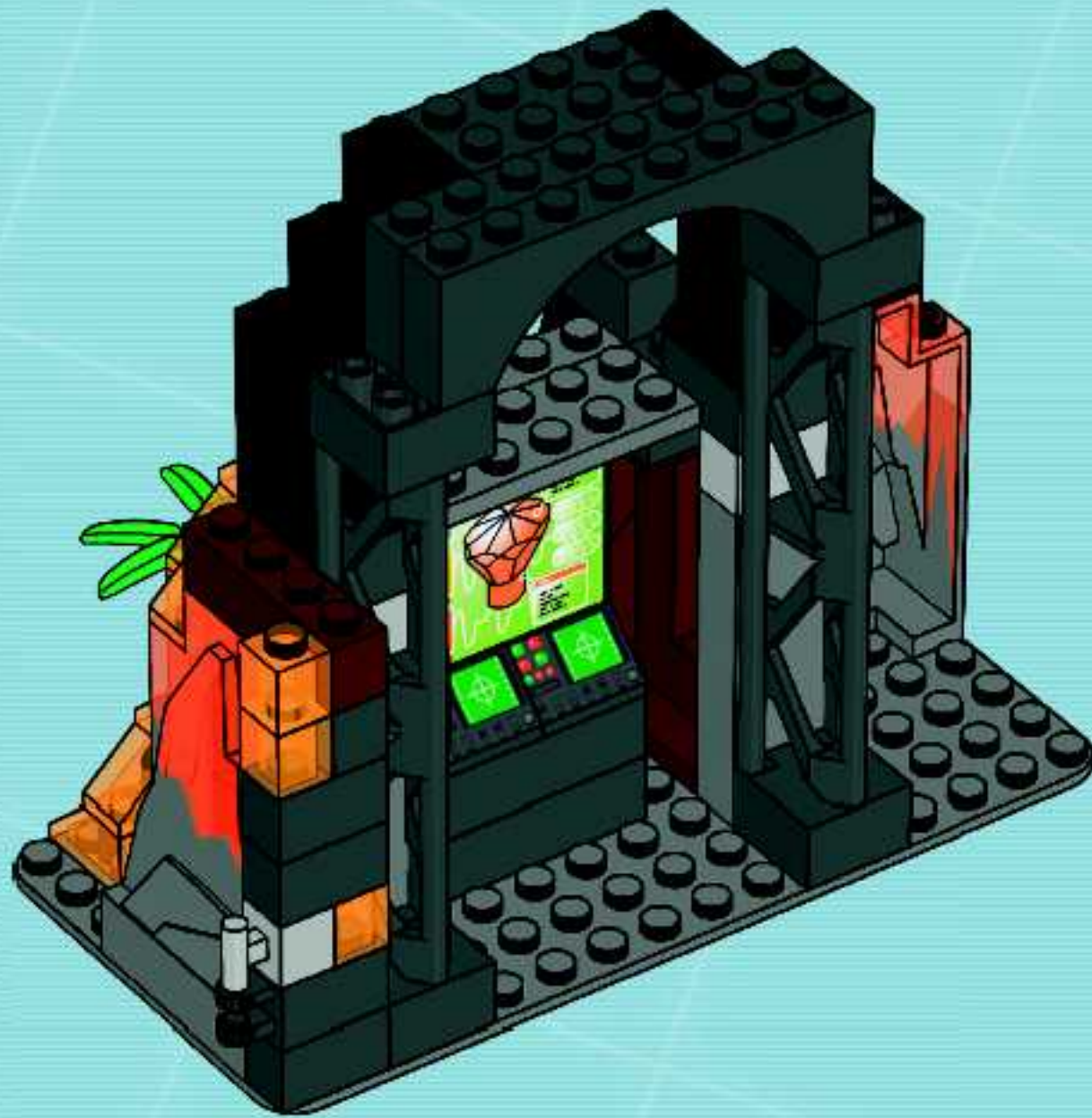
1x

20





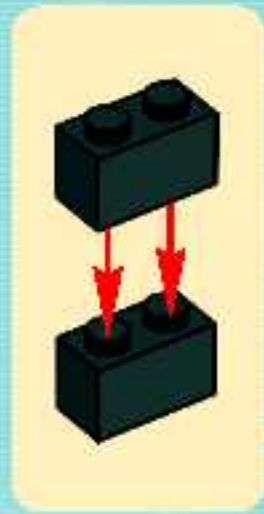
21

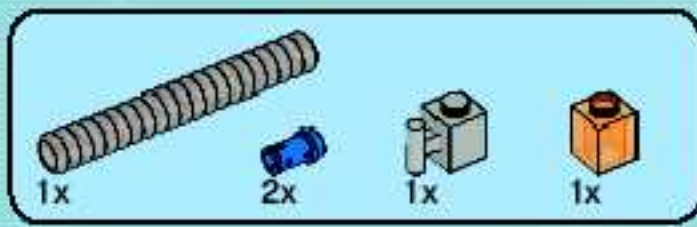




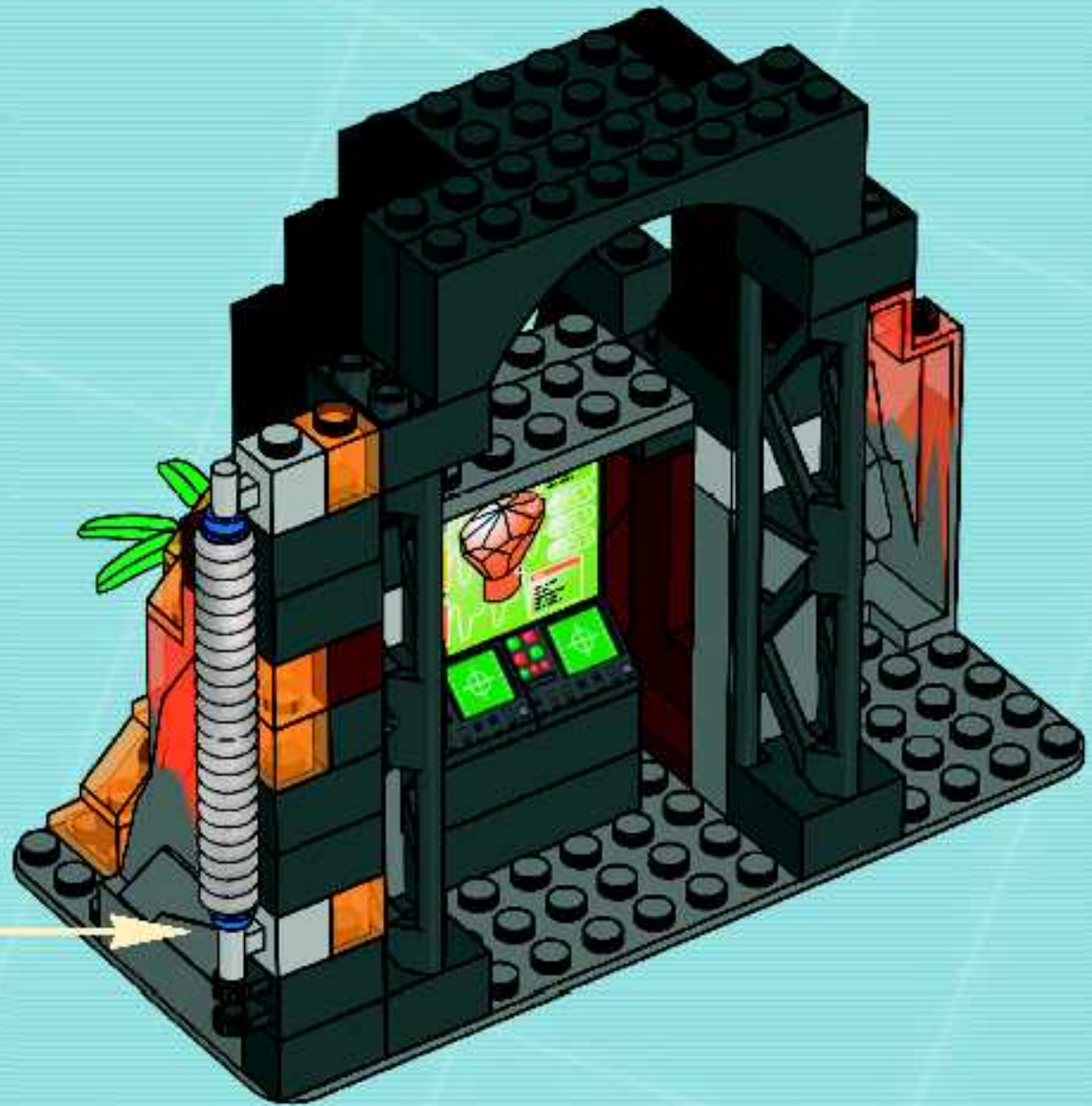
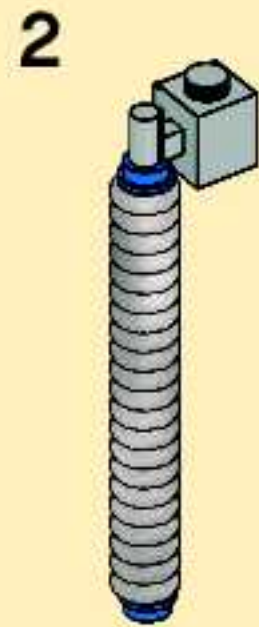
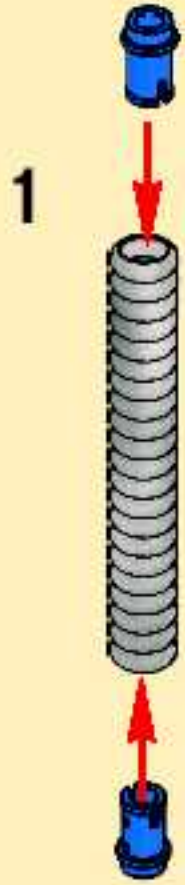
2x

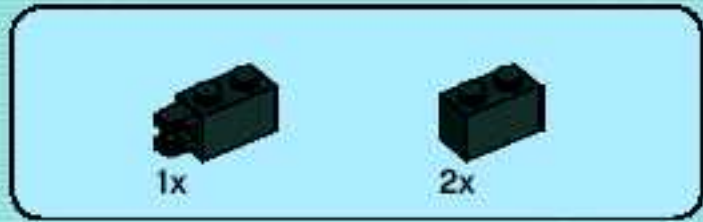
22



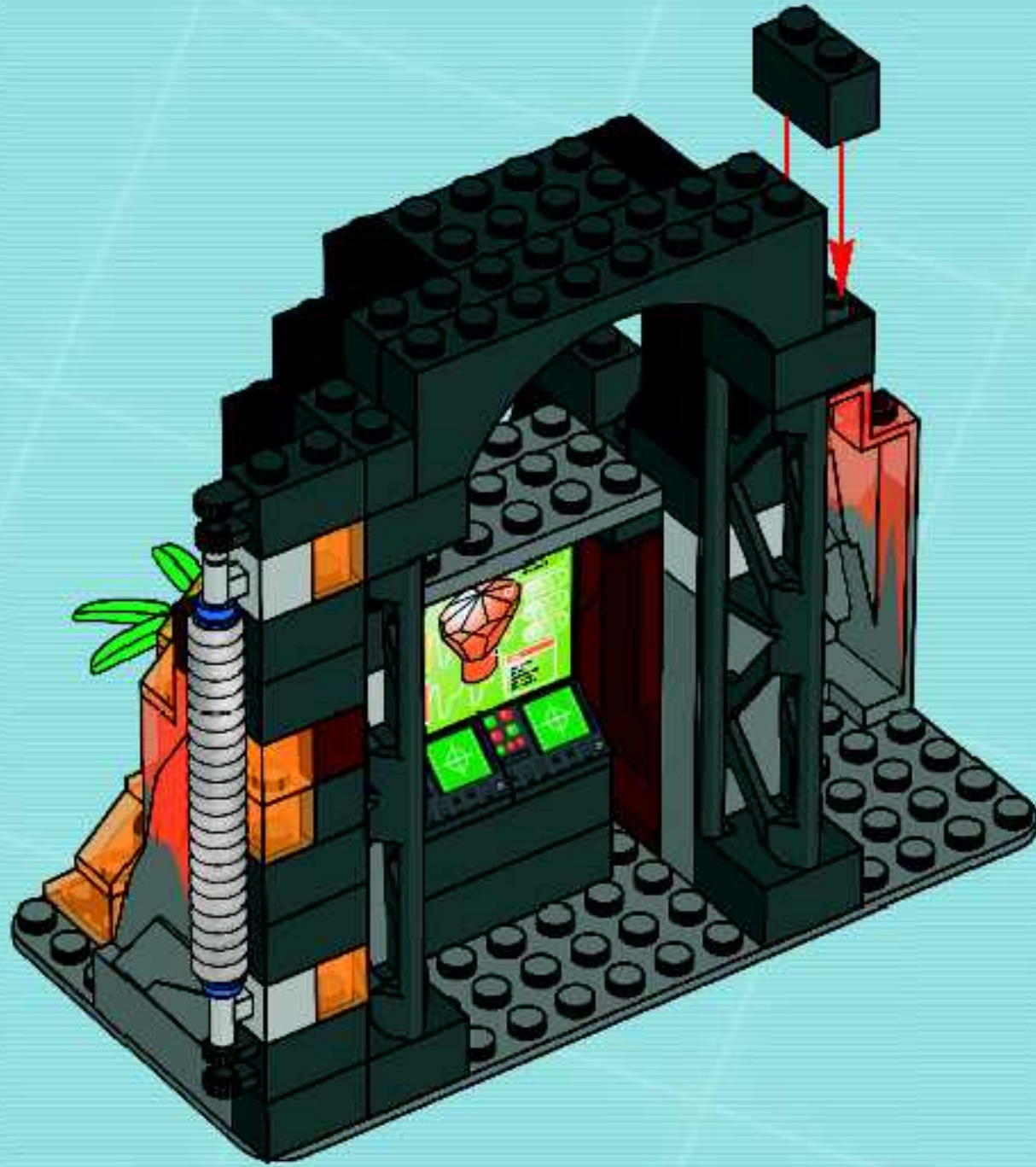


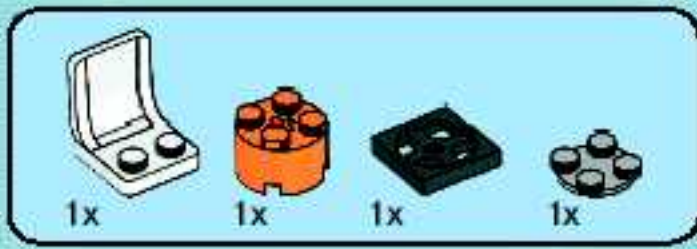
23



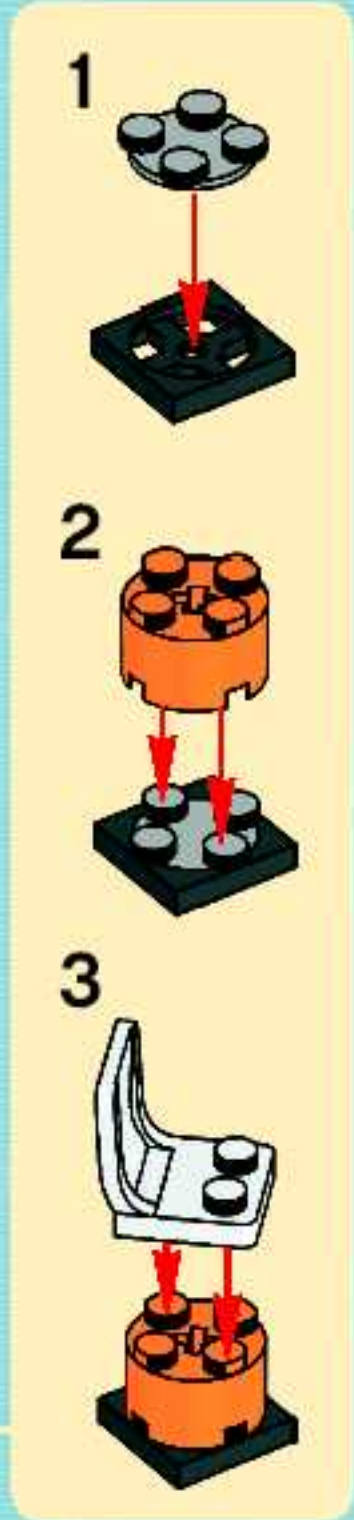
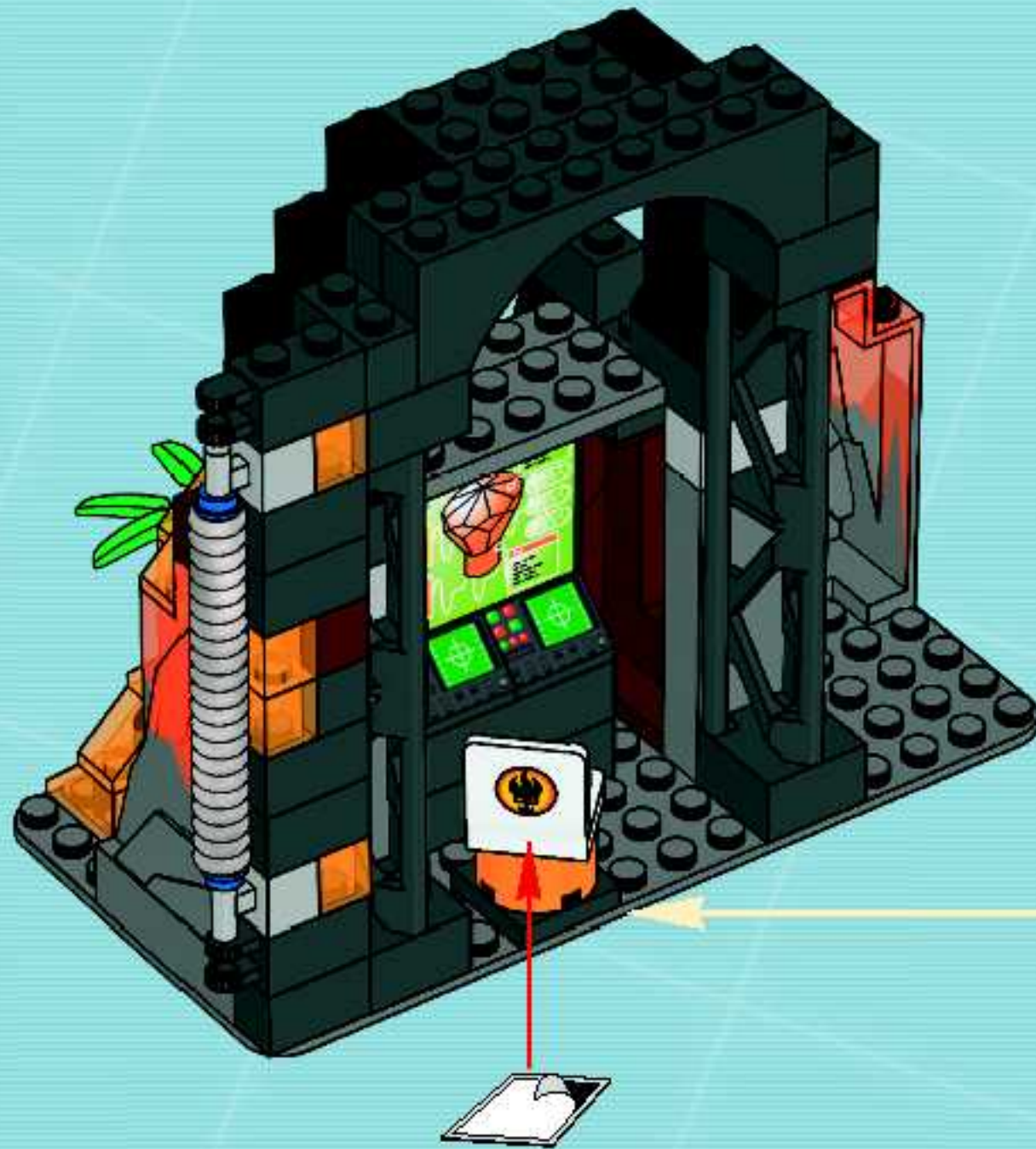


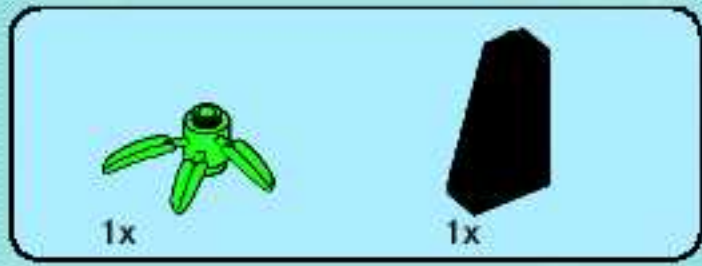
24



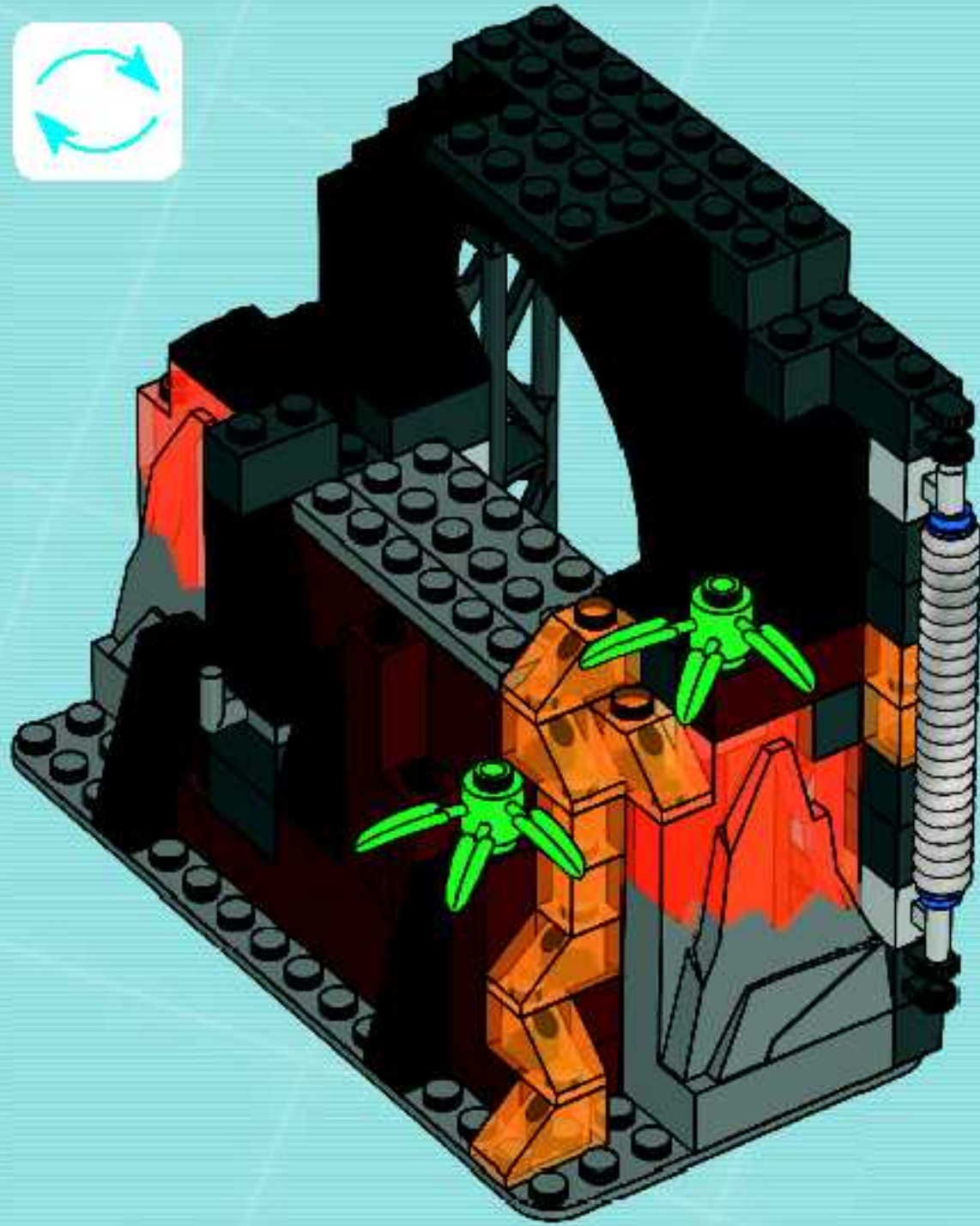


25





26



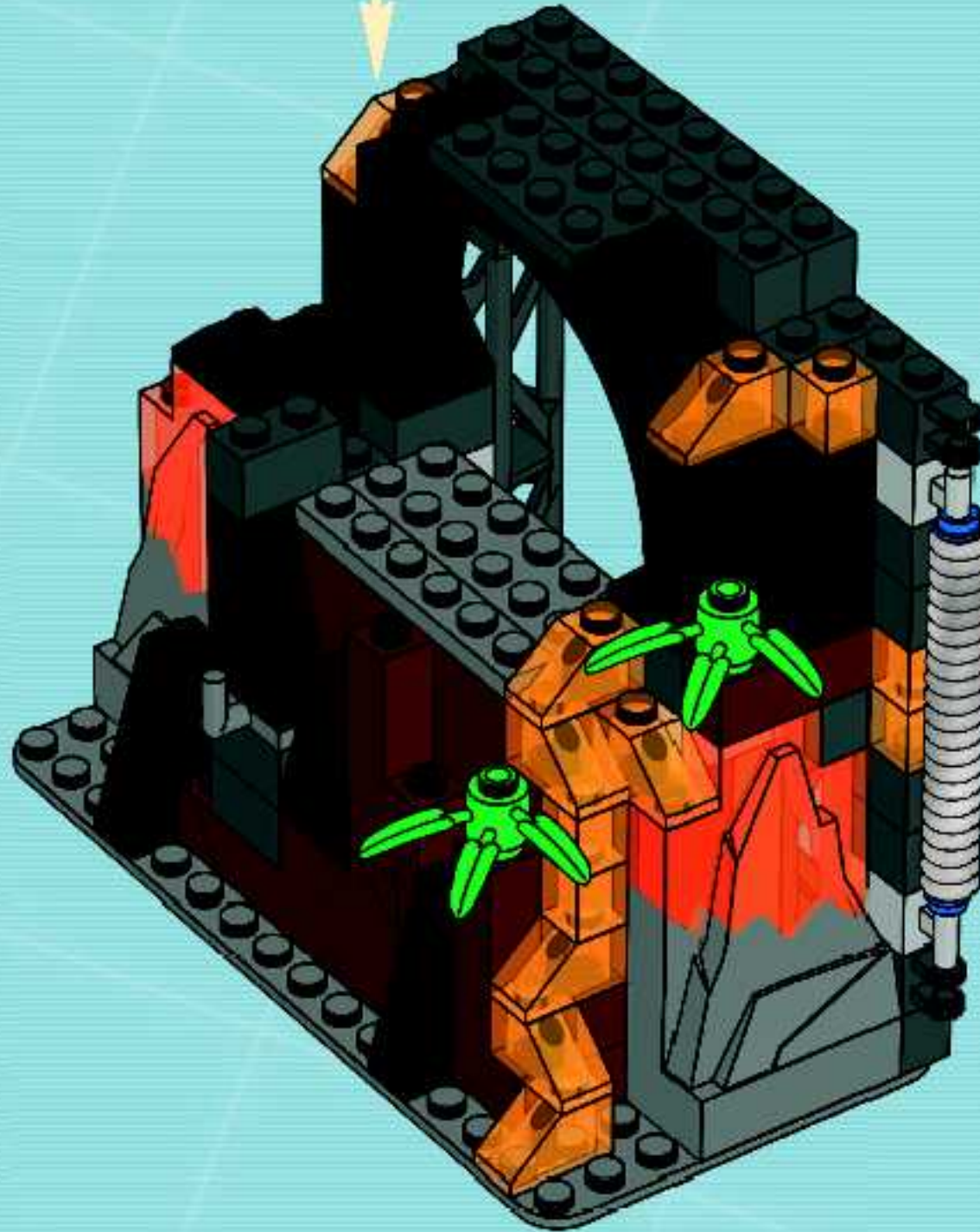


1x

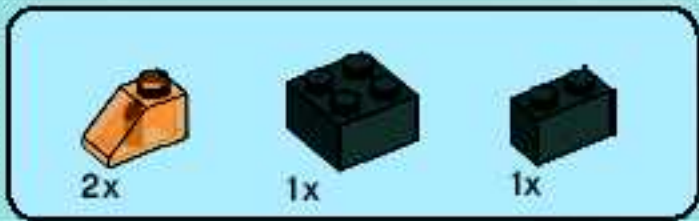


2x

27

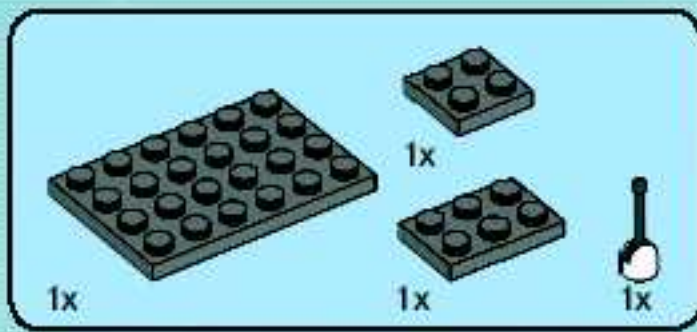


2x 1x 1x

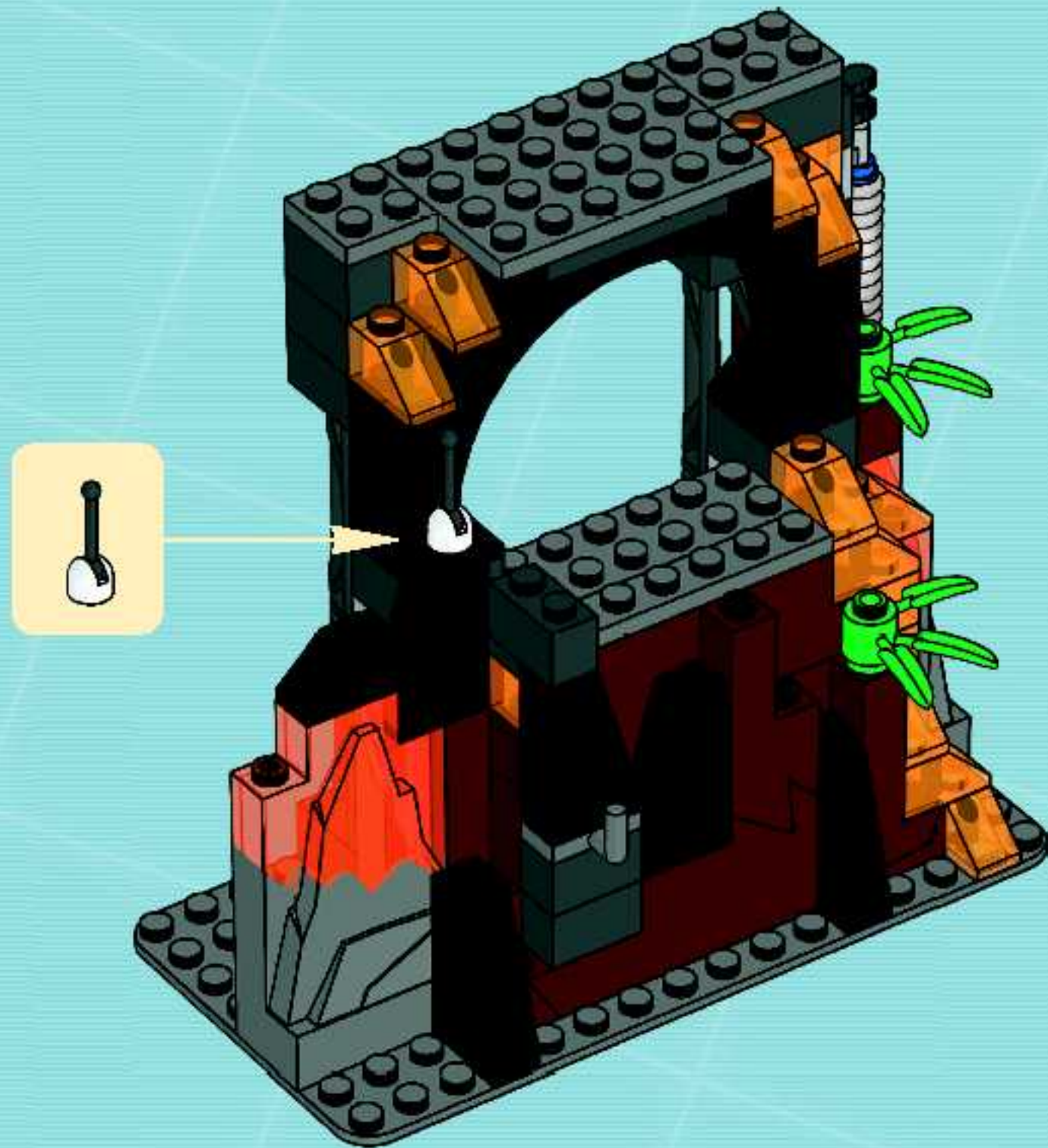


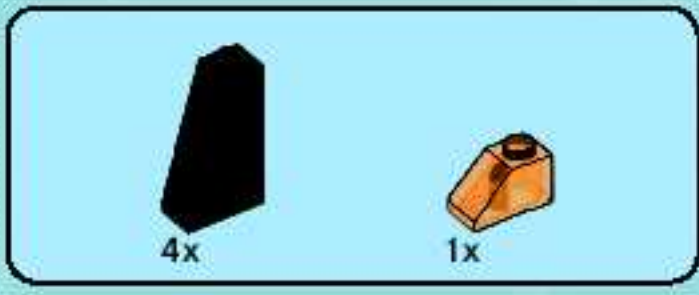
28



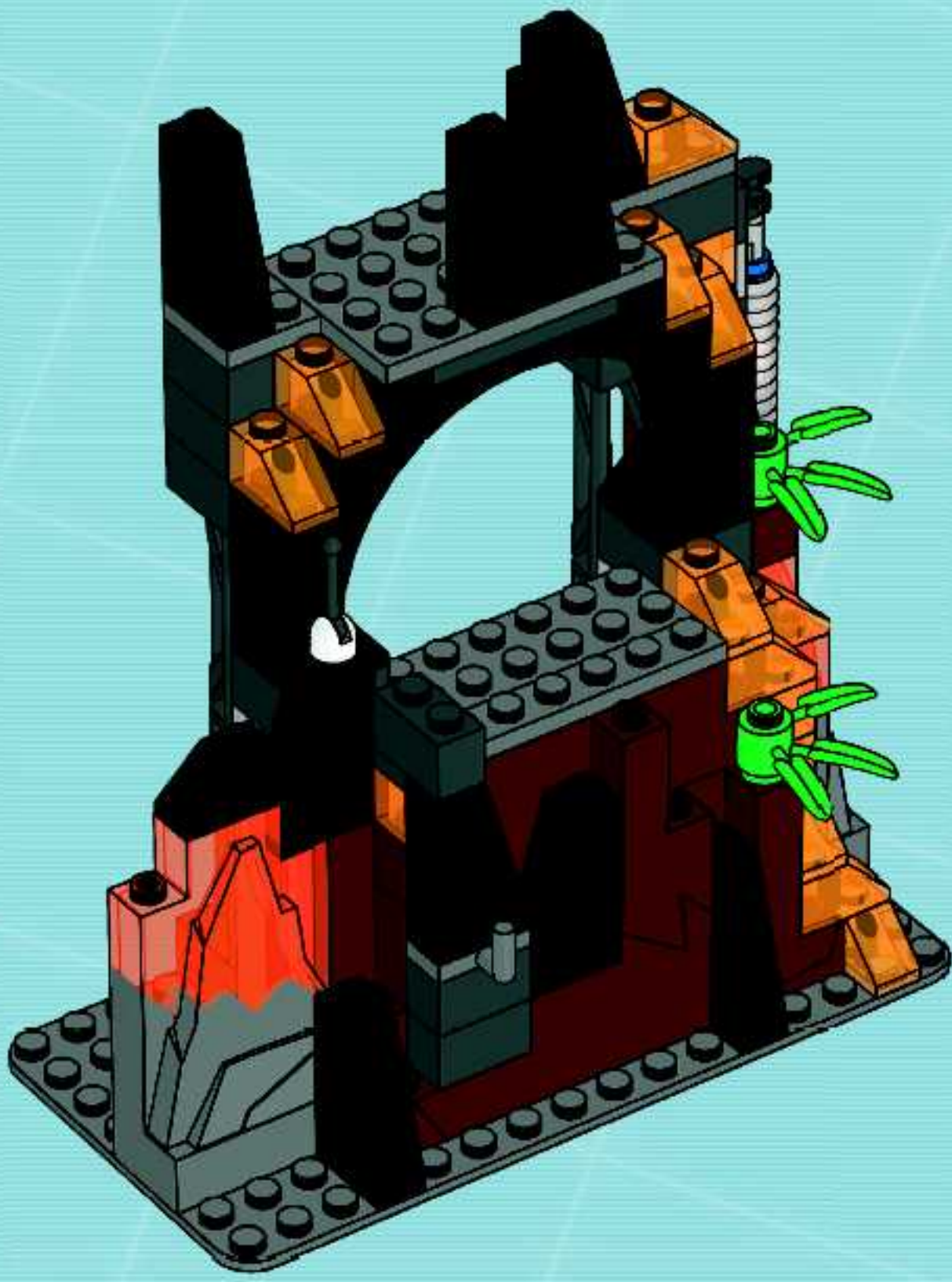


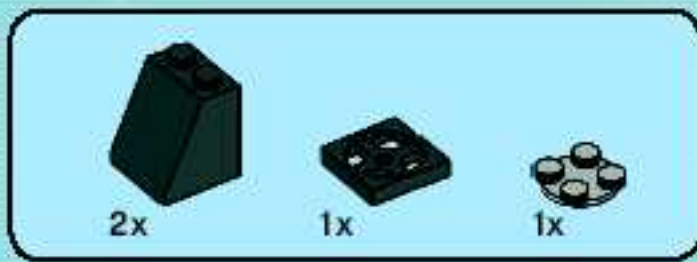
29



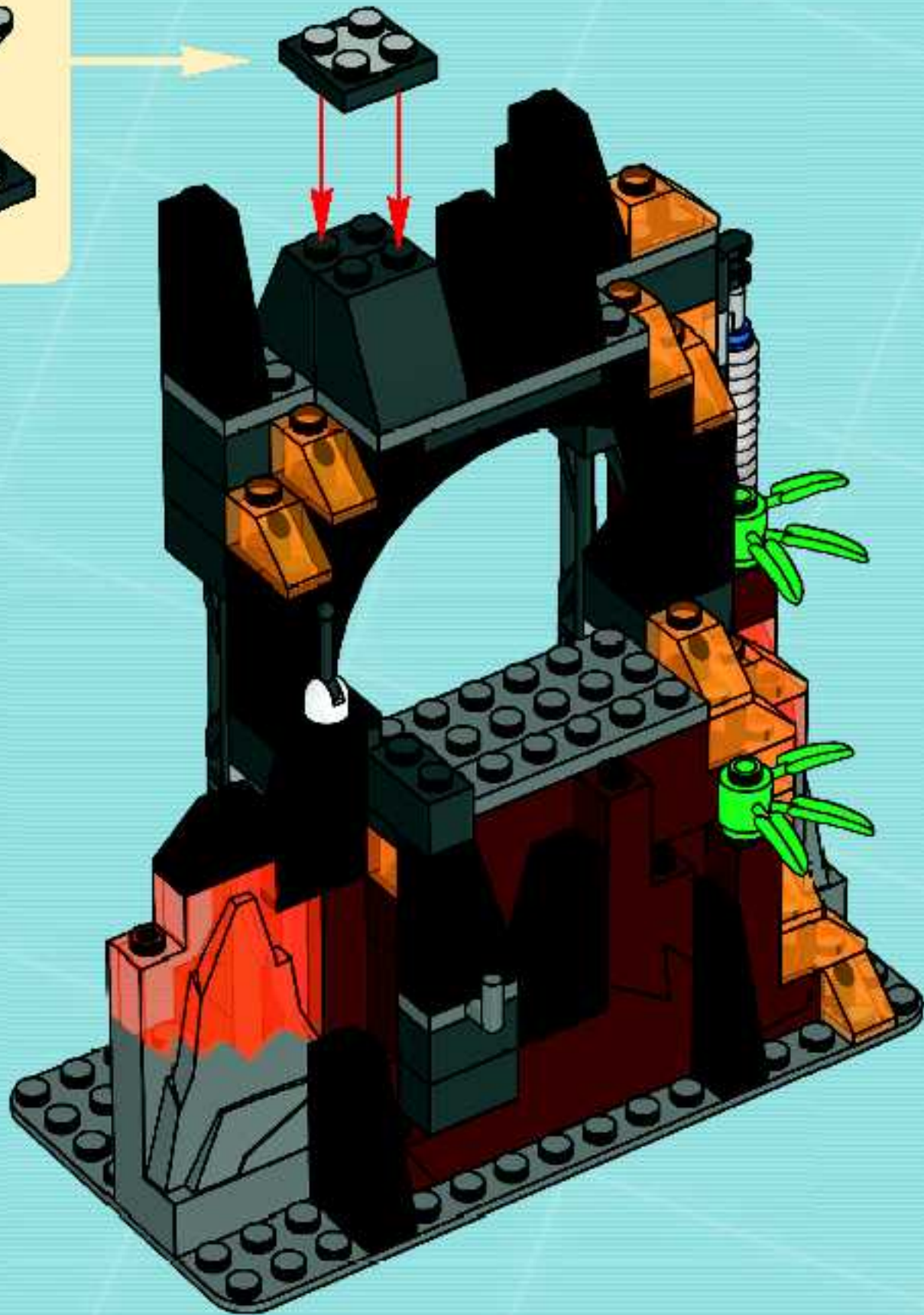


30





31

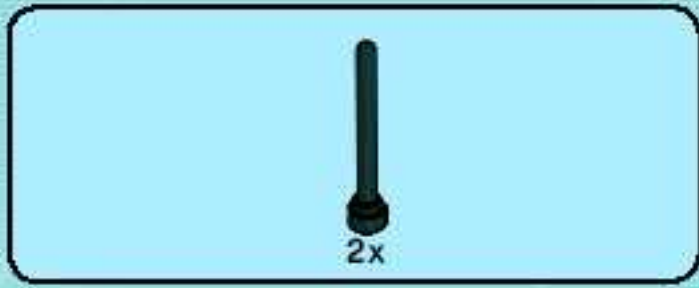




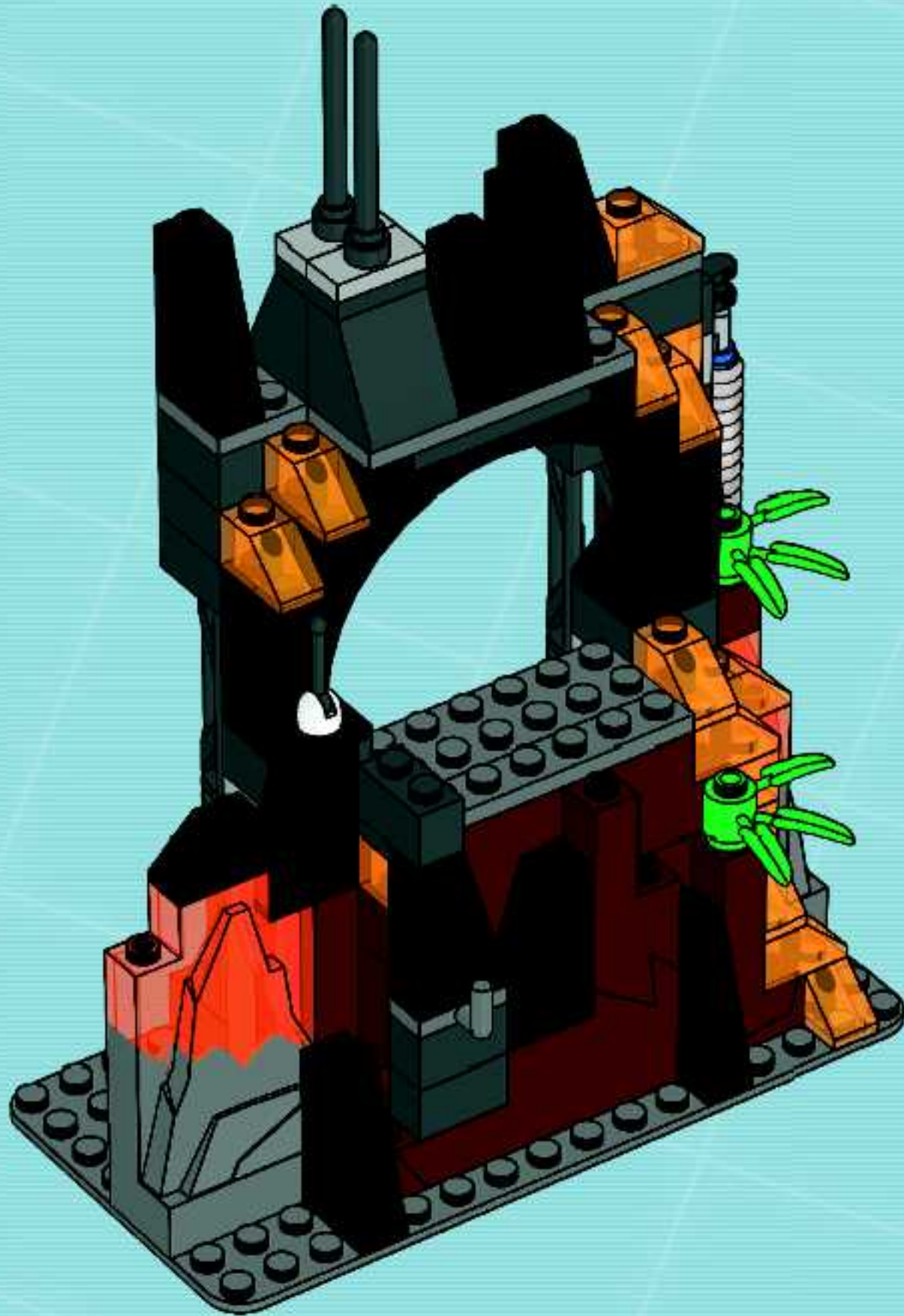
2x

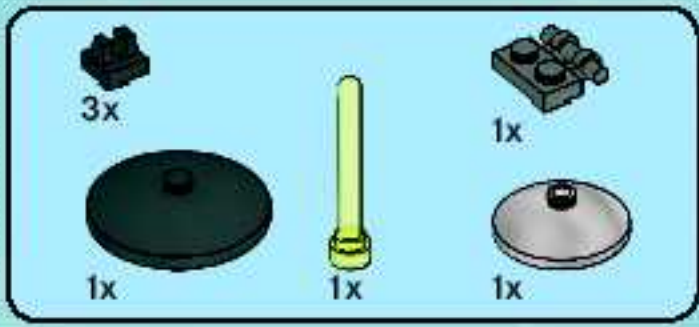
32



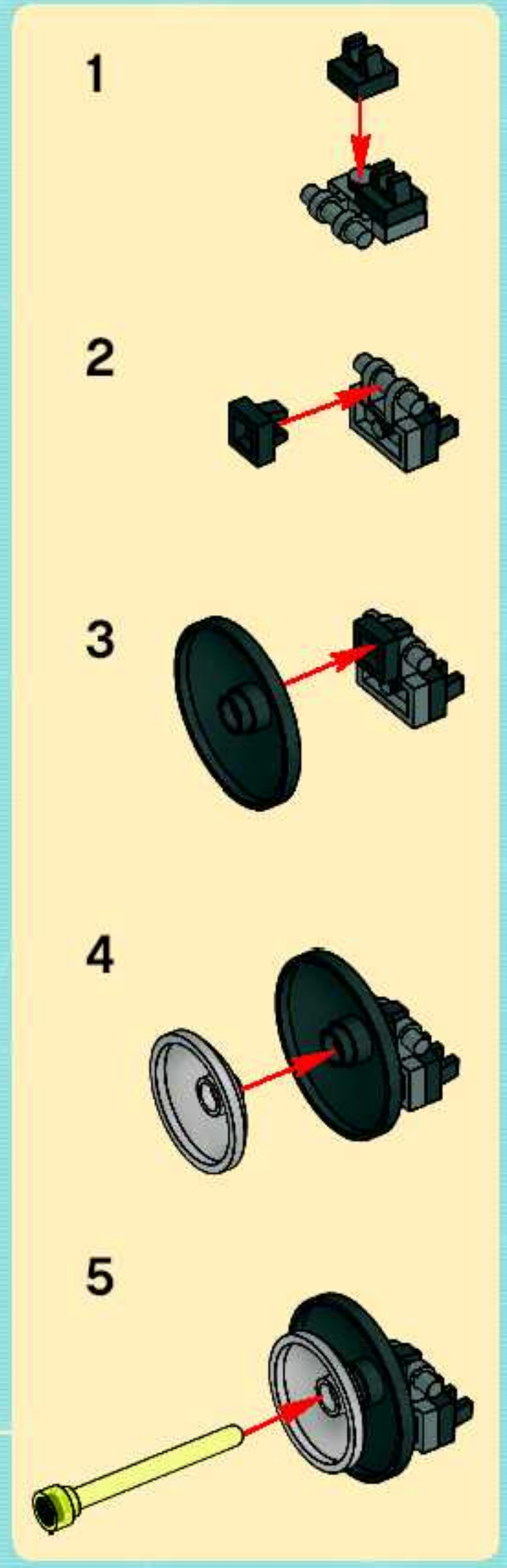
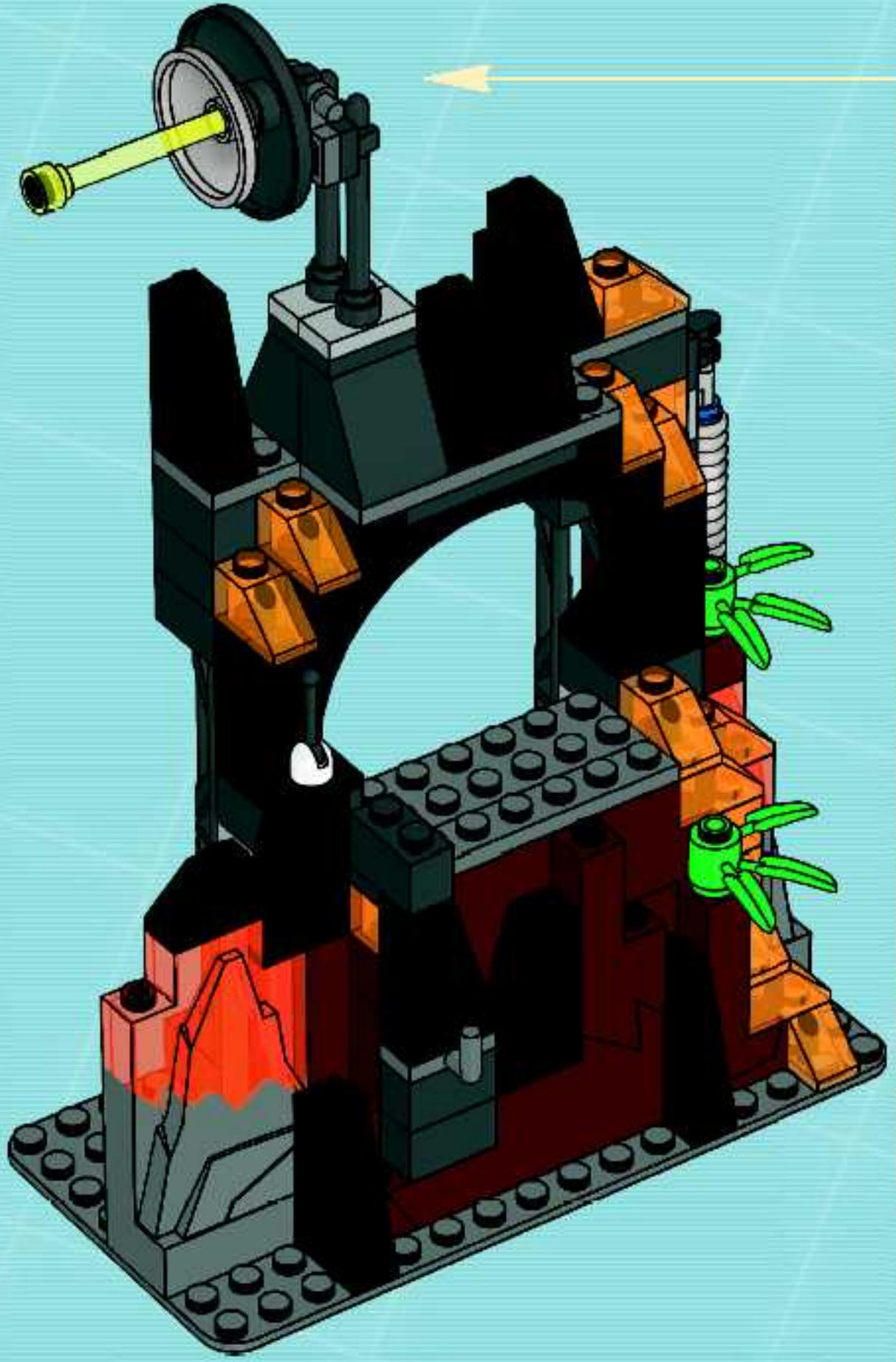


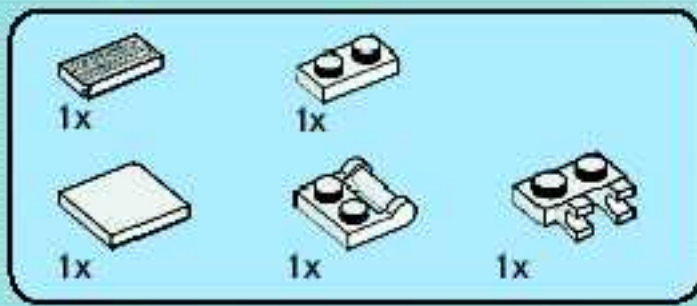
33




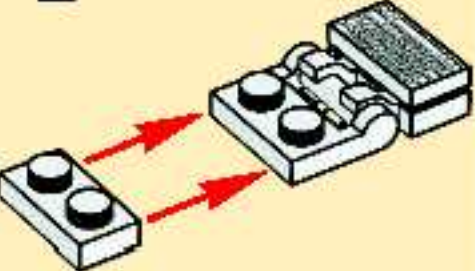
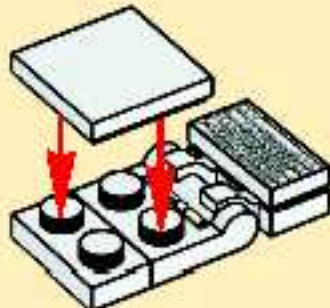
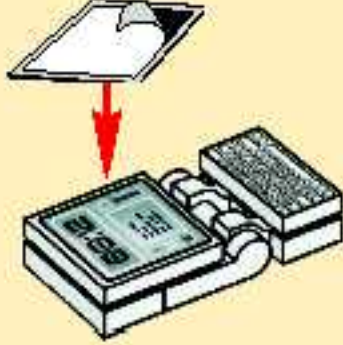



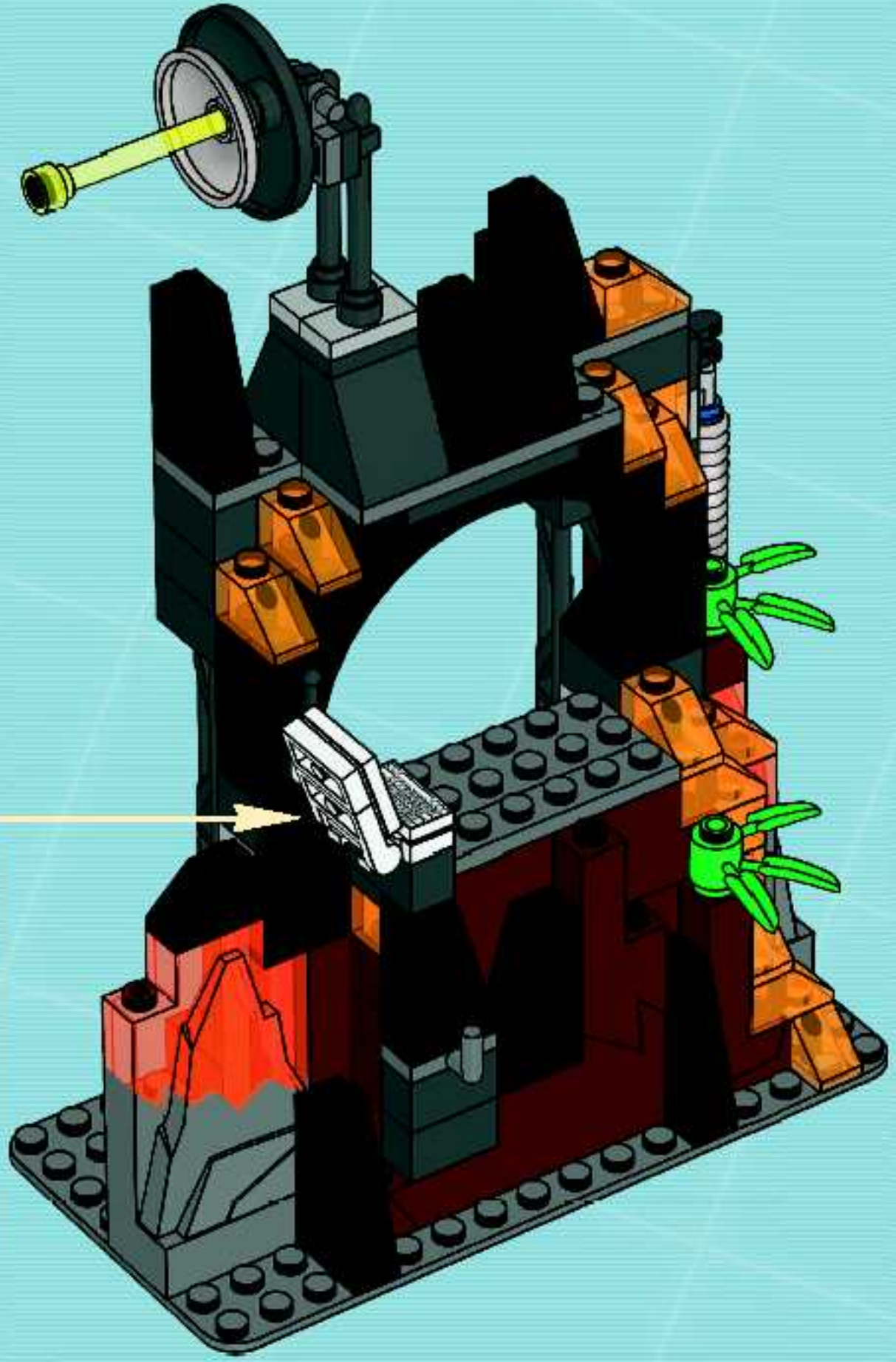
34

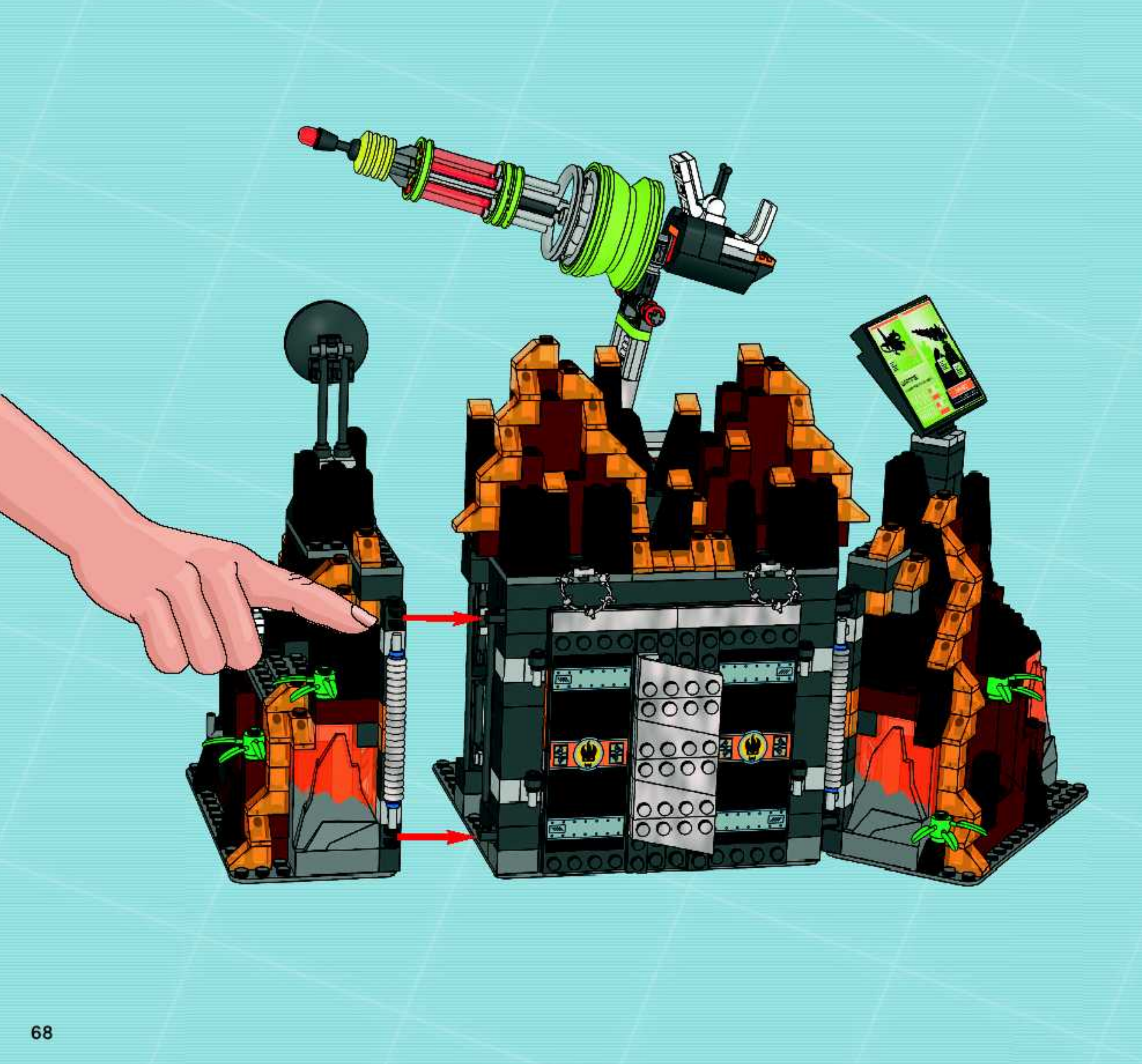


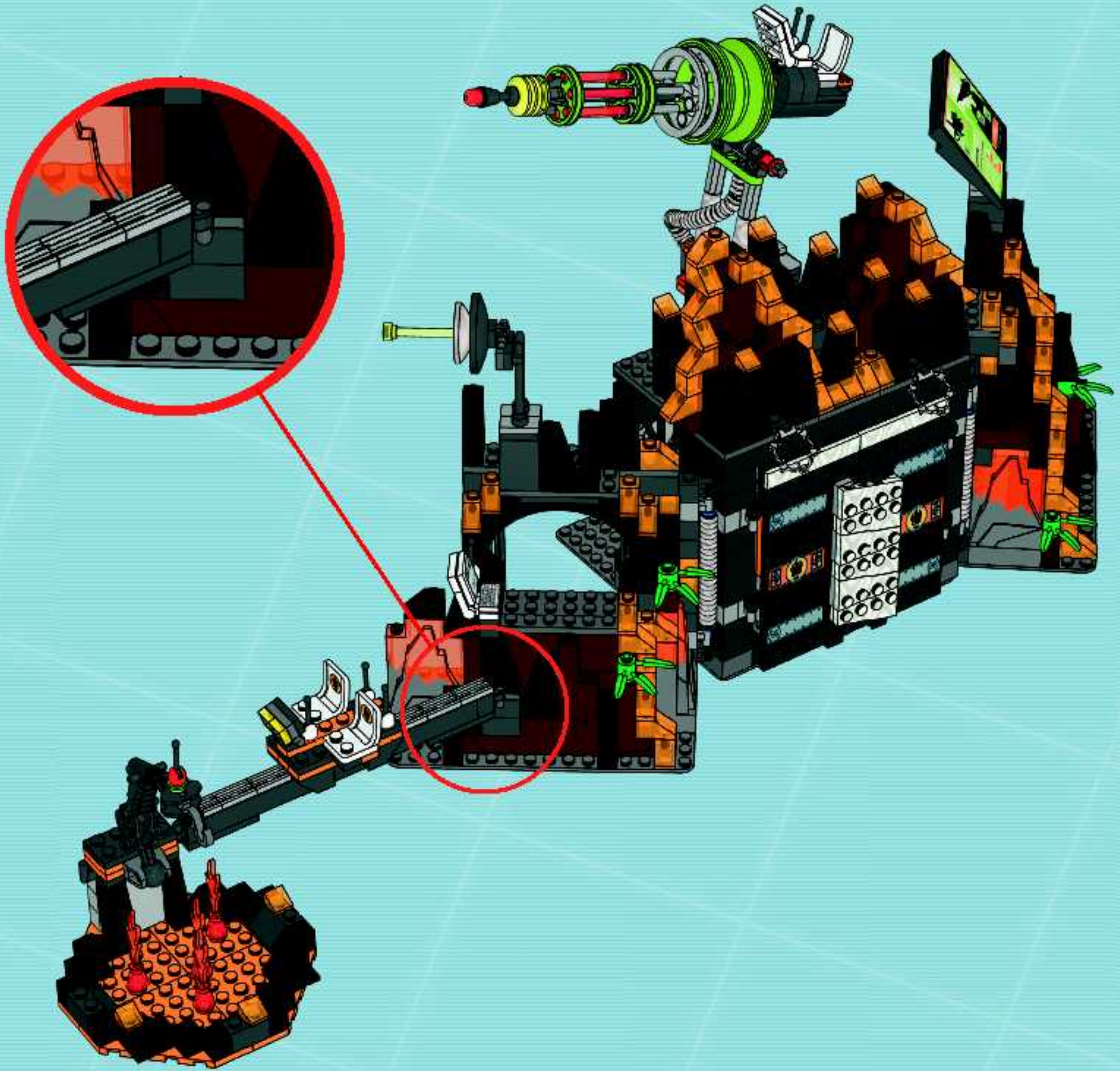


35

- 1 
- 2 
- 3 
- 4 
- 5 







4x
407001

6x
307001

2x
306901

1x
4293350

2x
306801

6x
73737

1x
4528210

1x
4528210

1x
4537557

2x
302301

2x
4222017

2x
4537897

1x
4173943

4x
407901

1x
4212154

1x
4529755

1x
4141089

4x
4288159

1x
4528214

1x
4537558

8x
4177932

5x
4118782

4x
4173332

4x
4159007

2x
4125278

3x
4125254

3x
4142865

1x
300421

2x
4513987

1x
614321

3x
4227155

1x
4216657

2x
307021

1x
306821

2x
74335

1x
302121

1x
614121

1x
4186678

3x
4497943

2x
3003941

6x
4124108

4x
618841

2x
3000841

4x
612647

6x
4206482

4x
4143005

2x
302323

1x
4289957

3x
4528221

2x
4527738

2x
4535277

1x
4527989

4x
4177741

2x
4529955

1x
4524759

1x
4528193

1x
4528205

1x
4528207

1x
4531194

1x
4534396

1x
4528716

2x
3000844

2x
4140801

3x
4107085

1x
4277932

1x
4144567



1x
4517986



2x
4214559



2x
4533771



3x
246526



23x
300426



4x
4144533



4x
4143751



16x
300326



2x
4113241



2x
300126



4x
609126



4x
408126



4x
4218982



1x
436026



2x
4227684



1x
370726



1x
4512363



1x
4223189



1x
4529159



2x
306926



1x
4162982



1x
4158848



8x
4509669



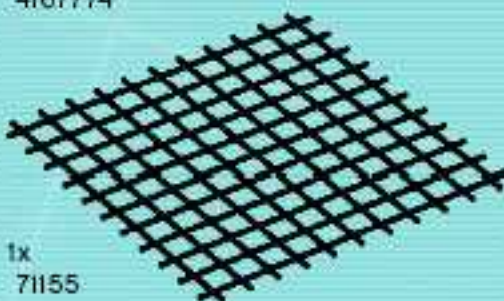
1x
9339



1x
4535370



1x
4167774



1x
71155



2x
4537551



4x
255526



2x
4517925



2x
4514845



11x
302326



2x
362326



2x
371026



2x
346026



1x
4124096



4x
302126



3x
302026



3x
302026



3x
379526



2x
617926



2x
4296198



2x
462326



1x
4161067



1x
393726



4x
366526



3x
303926



1x
366026



4x
4273703



3x
4295400



3x
4295400



1x
485426



1x
396026



1x
4537560



2x
4278359



2x
273026



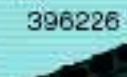
4x
368026



1x
4291516



1x
396226



1x
4105207



1x
4105207



2x
395726



1x
4526756



4x
4114348



16x
3006349



16x
3006349



1x
4114011



1x
4114011

3x
4211573

6x
4520320

8x
4211389

8x
4225532

2x
4211636

4x
4211451

2x
4537900

1x
4211650

2x
4285771

8x
4211349

2x
4211519

2x
4211807

10x
4211353

6x
4211815

1x
4211805

2x
4512360

2x
4211413

1x
4518282

10x
4211399

2x
4211429

1x
4211445

2x
4211425

2x
4211397

1x
4211444

1x
4240013

2x
4515351

11x
4211350

1x
4211410

2x
4211436

2x
4278273

1x
4211701

2x
4264960

6x
4211575

4x
4211439

2x
4211515

1x
4211050

1x
4211086

2x
4211104

1x
4524353

6x
4211046

3x
4210665

1x
4212529

2x
4210660

1x
4211056

2x
4210998

1x
4210678

1x
4211094

1x
4211043

4x
4211111

4x
4508430

4x
4211075

1x
4260885

1x
4212352

1x
4210912

1x
4500562

2x
4210639

2x
4211002

1x
4210706

1x
4211115

2x
4211114

2x
4210762



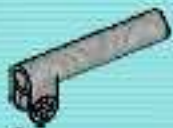
2x
4527061



2x
4495203



1x
4495208



2x
4494486



1x
4504949



2x
4527986



2x
4529339



19x
4262655



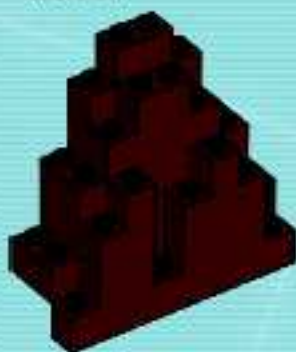
2x
4221195



13x
4244369



45x
4261934



3x
4533571



2x
4528730



6x
4528772



2x
4528609



2x
4529351



1x
4528454



1x
4296514



4x
4518606



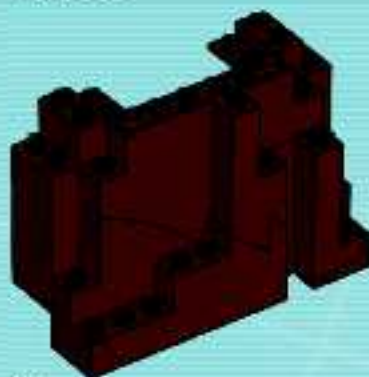
23x
4518557



43x
4518562



1x
4527065



2x
4535371



2x
4226978



1x
4261365



2x
4211225



1x
4211201



1x
4263131



1x
4534659



1x
4183133



3x
4494219



1x
4286384

Customer Service
Kundenservice
Service Consommateurs
Servicio Al Consumidor

www.lego.com/service or dial





AGENTS

NAME:

AGENT CHASE

STATUS:



8634 *



8635 *



8632 *



8637 *



8633 *



8631 *



club

FREE LEGO Magazine • GRATUIT • GRATIS LEGO Magazin



Join Today!

Abonne-toi dès aujourd'hui!

Meld je nu aan!

Jetzt anmelden!



US & Canada only

1-866-534-6258

1-877-518-5346

(in France)



00800 5346 5555

VISIT THE
WORLD'S BIGGEST
LEGO® SHOP!

www.LEGOshop.com

www.LEGOclub.com



YES! I want to join the LEGO Club FREE! OUI! Je veux m'abonner au Club LEGO GRATUITEMENT!

Ja! Ich möchte Mitglied im kostenlosen LEGO Club werden.

Ja! Ik wil graag GRATIS lid worden van de LEGO Club.

BG28
Mail to: / Poster à:
LEGO Club, P.O. Box 1157
Enfield, CT USA 06083-1157

B108U
Mail to:
LEGO Club, 33 Betch Road
Slough SL1 3UF U.K.

B108C
Per Posten:
LEGO Club, Postfach 14 15
D-36243 Niederrhein

Country	<input type="checkbox"/>	<input type="checkbox"/>	<input type="checkbox"/>	<input type="checkbox"/>	<input type="checkbox"/>	<input type="checkbox"/>	<input type="checkbox"/>	<input type="checkbox"/>	<input type="checkbox"/>	<input type="checkbox"/>	<input type="checkbox"/>	<input type="checkbox"/>	<input type="checkbox"/>	<input type="checkbox"/>	<input type="checkbox"/>	<input type="checkbox"/>	<input type="checkbox"/>	<input type="checkbox"/>	<input type="checkbox"/>	<input type="checkbox"/>
Day	<input type="checkbox"/>	<input type="checkbox"/>	<input type="checkbox"/>	<input type="checkbox"/>	<input type="checkbox"/>	<input type="checkbox"/>	<input type="checkbox"/>	<input type="checkbox"/>	<input type="checkbox"/>	<input type="checkbox"/>	<input type="checkbox"/>	<input type="checkbox"/>	<input type="checkbox"/>	<input type="checkbox"/>	<input type="checkbox"/>	<input type="checkbox"/>	<input type="checkbox"/>	<input type="checkbox"/>	<input type="checkbox"/>	<input type="checkbox"/>
Month	<input type="checkbox"/>	<input type="checkbox"/>	<input type="checkbox"/>	<input type="checkbox"/>	<input type="checkbox"/>	<input type="checkbox"/>	<input type="checkbox"/>	<input type="checkbox"/>	<input type="checkbox"/>	<input type="checkbox"/>	<input type="checkbox"/>	<input type="checkbox"/>	<input type="checkbox"/>	<input type="checkbox"/>	<input type="checkbox"/>	<input type="checkbox"/>	<input type="checkbox"/>	<input type="checkbox"/>	<input type="checkbox"/>	<input type="checkbox"/>
Year	<input type="checkbox"/>	<input type="checkbox"/>	<input type="checkbox"/>	<input type="checkbox"/>	<input type="checkbox"/>	<input type="checkbox"/>	<input type="checkbox"/>	<input type="checkbox"/>	<input type="checkbox"/>	<input type="checkbox"/>	<input type="checkbox"/>	<input type="checkbox"/>	<input type="checkbox"/>	<input type="checkbox"/>	<input type="checkbox"/>	<input type="checkbox"/>	<input type="checkbox"/>	<input type="checkbox"/>	<input type="checkbox"/>	<input type="checkbox"/>
State	<input type="checkbox"/>	<input type="checkbox"/>	<input type="checkbox"/>	<input type="checkbox"/>	<input type="checkbox"/>	<input type="checkbox"/>	<input type="checkbox"/>	<input type="checkbox"/>	<input type="checkbox"/>	<input type="checkbox"/>	<input type="checkbox"/>	<input type="checkbox"/>	<input type="checkbox"/>	<input type="checkbox"/>	<input type="checkbox"/>	<input type="checkbox"/>	<input type="checkbox"/>	<input type="checkbox"/>	<input type="checkbox"/>	<input type="checkbox"/>
Postcode	<input type="checkbox"/>	<input type="checkbox"/>	<input type="checkbox"/>	<input type="checkbox"/>	<input type="checkbox"/>	<input type="checkbox"/>	<input type="checkbox"/>	<input type="checkbox"/>	<input type="checkbox"/>	<input type="checkbox"/>	<input type="checkbox"/>	<input type="checkbox"/>	<input type="checkbox"/>	<input type="checkbox"/>	<input type="checkbox"/>	<input type="checkbox"/>	<input type="checkbox"/>	<input type="checkbox"/>	<input type="checkbox"/>	<input type="checkbox"/>
City	<input type="checkbox"/>	<input type="checkbox"/>	<input type="checkbox"/>	<input type="checkbox"/>	<input type="checkbox"/>	<input type="checkbox"/>	<input type="checkbox"/>	<input type="checkbox"/>	<input type="checkbox"/>	<input type="checkbox"/>	<input type="checkbox"/>	<input type="checkbox"/>	<input type="checkbox"/>	<input type="checkbox"/>	<input type="checkbox"/>	<input type="checkbox"/>	<input type="checkbox"/>	<input type="checkbox"/>	<input type="checkbox"/>	<input type="checkbox"/>
Street	<input type="checkbox"/>	<input type="checkbox"/>	<input type="checkbox"/>	<input type="checkbox"/>	<input type="checkbox"/>	<input type="checkbox"/>	<input type="checkbox"/>	<input type="checkbox"/>	<input type="checkbox"/>	<input type="checkbox"/>	<input type="checkbox"/>	<input type="checkbox"/>	<input type="checkbox"/>	<input type="checkbox"/>	<input type="checkbox"/>	<input type="checkbox"/>	<input type="checkbox"/>	<input type="checkbox"/>	<input type="checkbox"/>	<input type="checkbox"/>
Zip	<input type="checkbox"/>	<input type="checkbox"/>	<input type="checkbox"/>	<input type="checkbox"/>	<input type="checkbox"/>	<input type="checkbox"/>	<input type="checkbox"/>	<input type="checkbox"/>	<input type="checkbox"/>	<input type="checkbox"/>	<input type="checkbox"/>	<input type="checkbox"/>	<input type="checkbox"/>	<input type="checkbox"/>	<input type="checkbox"/>	<input type="checkbox"/>	<input type="checkbox"/>	<input type="checkbox"/>	<input type="checkbox"/>	<input type="checkbox"/>
Country	<input type="checkbox"/>	<input type="checkbox"/>	<input type="checkbox"/>	<input type="checkbox"/>	<input type="checkbox"/>	<input type="checkbox"/>	<input type="checkbox"/>	<input type="checkbox"/>	<input type="checkbox"/>	<input type="checkbox"/>	<input type="checkbox"/>	<input type="checkbox"/>	<input type="checkbox"/>	<input type="checkbox"/>	<input type="checkbox"/>	<input type="checkbox"/>	<input type="checkbox"/>	<input type="checkbox"/>	<input type="checkbox"/>	<input type="checkbox"/>

Printed in the Netherlands. All rights reserved. LEGO is a registered trademark of the LEGO Group. LEGO Club is a trademark of the LEGO Group. LEGO Magazine is a trademark of the LEGO Group. LEGO Shop is a trademark of the LEGO Group. LEGO Club is a trademark of the LEGO Group. LEGO Magazine is a trademark of the LEGO Group. LEGO Shop is a trademark of the LEGO Group. LEGO Club is a trademark of the LEGO Group. LEGO Magazine is a trademark of the LEGO Group. LEGO Shop is a trademark of the LEGO Group.

The English version of the magazine can only be mailed to addresses in the US, Canada, the UK, and Republic of Ireland. Club membership is valid for 2 years and includes free copies of the LEGO Magazine. In the US and Canada please allow 4-6 weeks for delivery of your first magazine. By signing this form you consent to the LEGO Club to use your child's data for LEGO mailings. The data will only be used for LEGO mailings and will not be sold, rented or shared to any other company outside the LEGO Group. For more information on our privacy policy please visit www.lego.com/privacy. This coupon is valid for one free membership per person, group or organization. If you would not like to receive other communications from the LEGO Group please tick here: Inversor. Please note: This coupon is not valid for the LEGO Club. Inversor is a separate service provided by LEGO. LEGO Club is a trademark of the LEGO Group. LEGO Magazine is a trademark of the LEGO Group. LEGO Shop is a trademark of the LEGO Group. LEGO Club is a trademark of the LEGO Group. LEGO Magazine is a trademark of the LEGO Group. LEGO Shop is a trademark of the LEGO Group. LEGO Club is a trademark of the LEGO Group. LEGO Magazine is a trademark of the LEGO Group. LEGO Shop is a trademark of the LEGO Group.

www.acnielsen.aim.dk/LEGO



WIN LEGO® PRODUCTS

No purchase necessary.
Open to residents of all countries where
not prohibited.
Go to www. for official rules and details.

WIN LEGO® PRODUCTEN

Kopen niet nodig.
Open voor alle leeftijden, en in alle landen
waar geen verbod geldt.
Ga naar www. voor officiële regels en details.

GEWINNE LEGO® PRODUKTE

Die Teilnahme am Gewinnspiel führt zu
keinerlei Kaufverpflichtungen.
Sie können in allen nicht ausgeschlossenen
Ländern teilnehmen.
Die offiziellen Regeln und nähere Informationen
finden Sie unter www.

GAGNE DES PRODUITS LEGO®

Aucun achat n'est nécessaire.
Ouvert à tous les âges et aux résidents de
tous les pays, sauf en cas d'interdiction.
Rendez-vous sur www. pour obtenir plus
de détails et le règlement officiel.

レゴ®製品を「当てよう」

購入は不要です
禁止されていない限り、あらゆる
年代およびあらゆる国の居住者の
方々にご利用いただけます。
公認規則および詳細につきましては、
www.をご覧ください

