

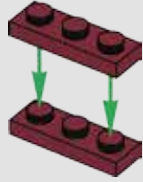


30522

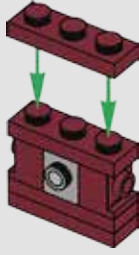
6187391

LEGO.com/BATMANMOVIE

1



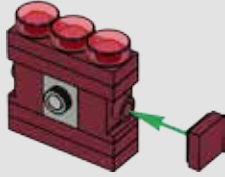
2



3



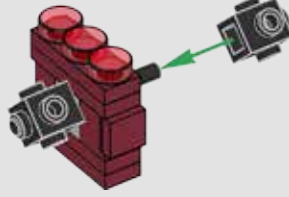
4



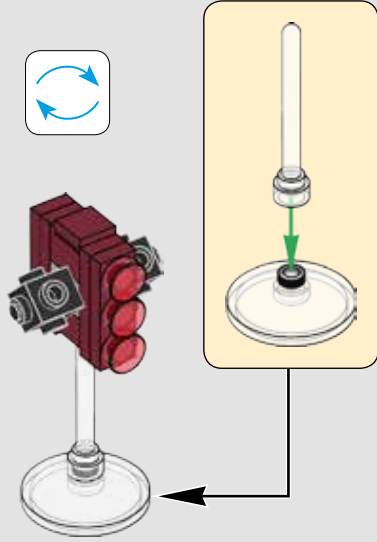
5



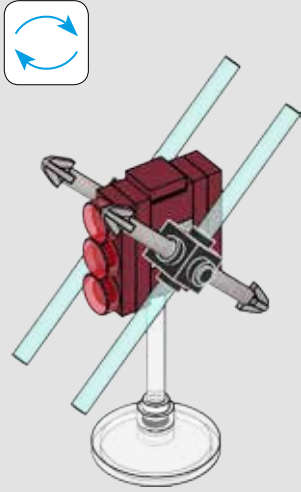
6



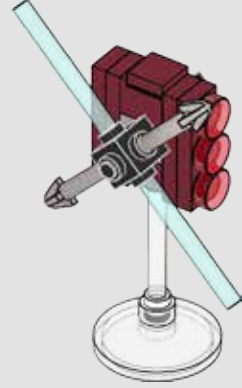
7

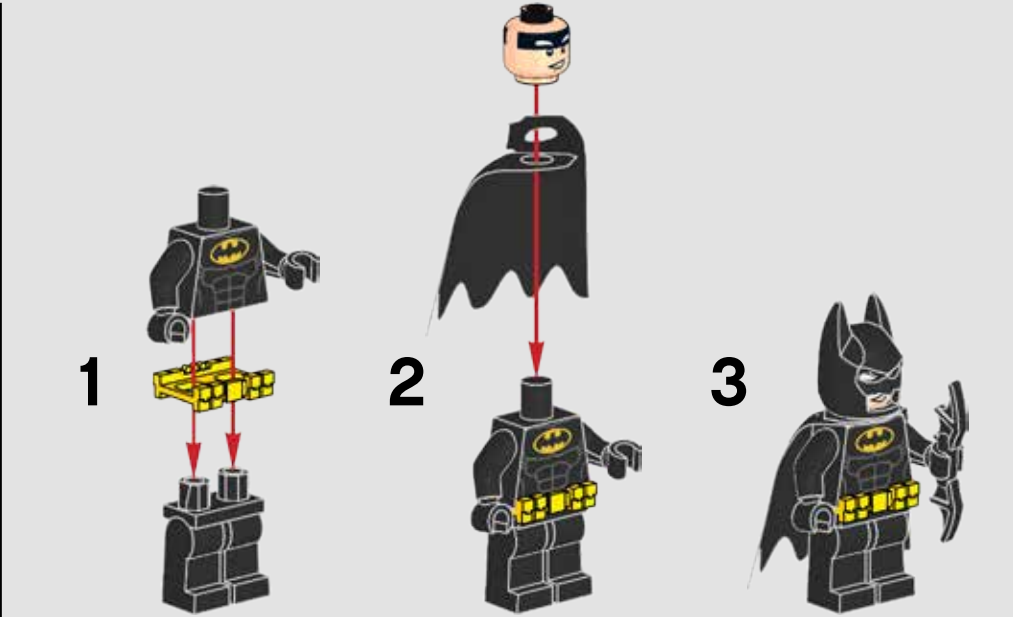
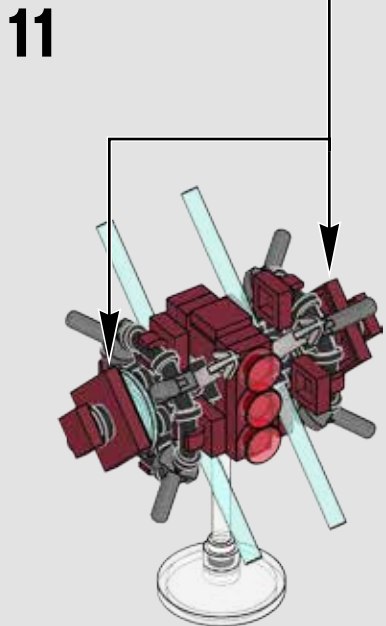
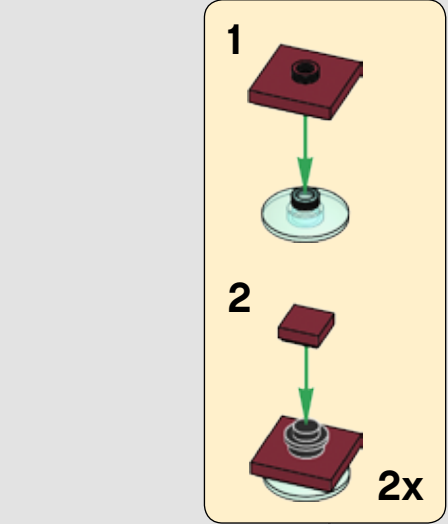
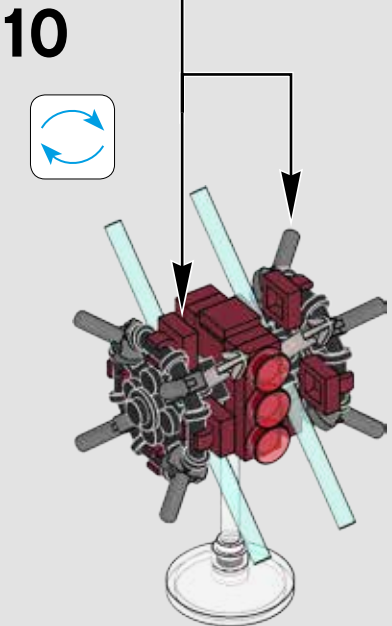
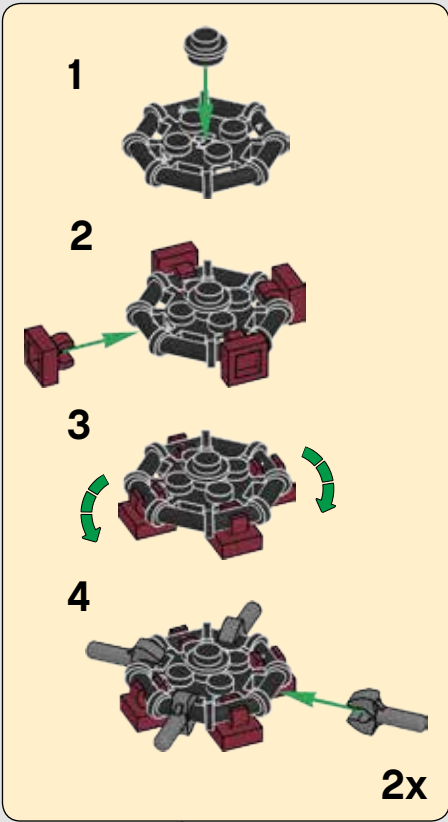


8



9





LEGO.com/service

THE LEGO® BATMAN MOVIE © & ™ DC Comics, Warner Bros. Entertainment Inc., & The LEGO Group. LEGO, the LEGO logo, the Minifigure and the Brick and Knob configurations are trademarks and/or copyrights of the/ sont des marques de commerce et/ou copyrights du/son marcas registradas, algunas de ellas protegidas por derechos de autor, de LEGO Group. ©2017 The LEGO Group. BATMAN and all related characters and elements © & ™ DC Comics. All rights reserved/Tous droits réservés/Todos los derechos reservados. (s17) 6187391



THE LEGO® BATMAN MOVIE © & ™ DC Comics, Warner Bros. Entertainment Inc., & The LEGO Group. All rights reserved/ Tous droits réservés/Todos los derechos reservados. (s17)

